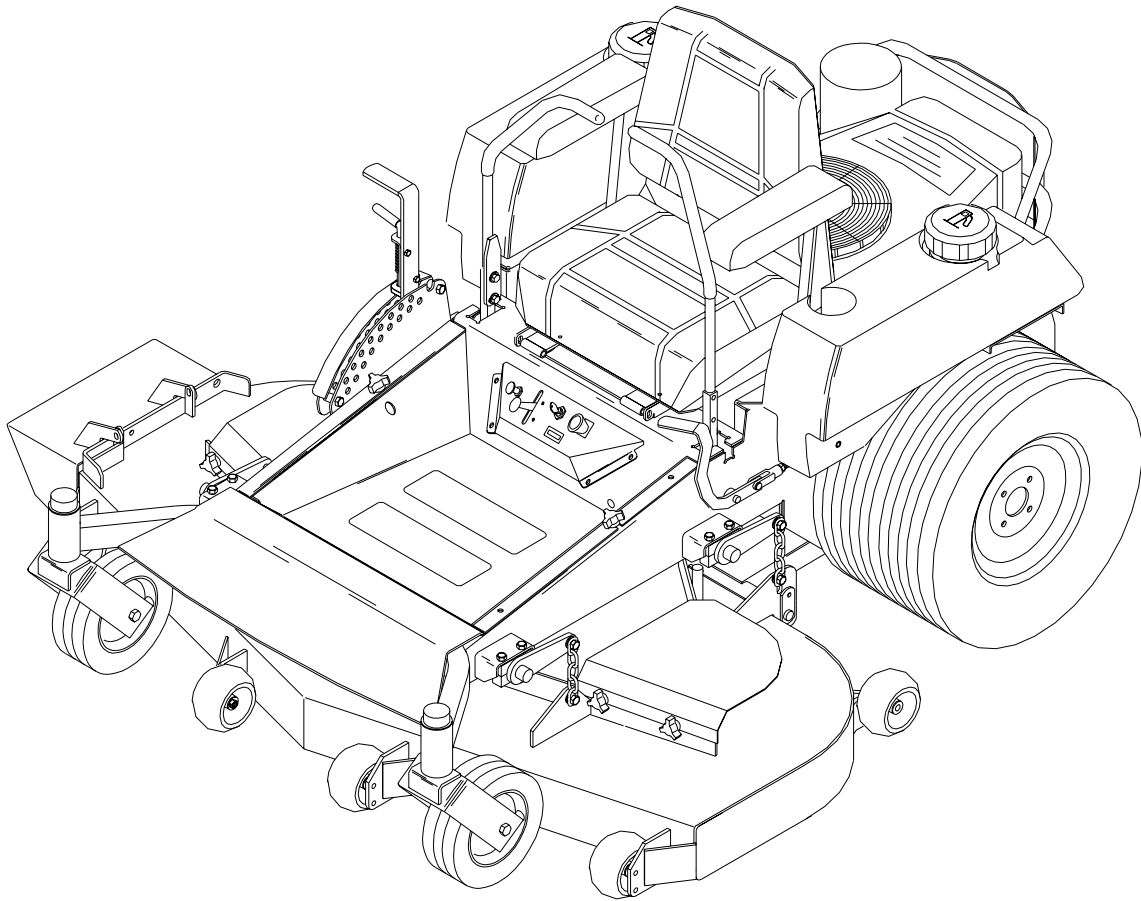


# Husqvarna

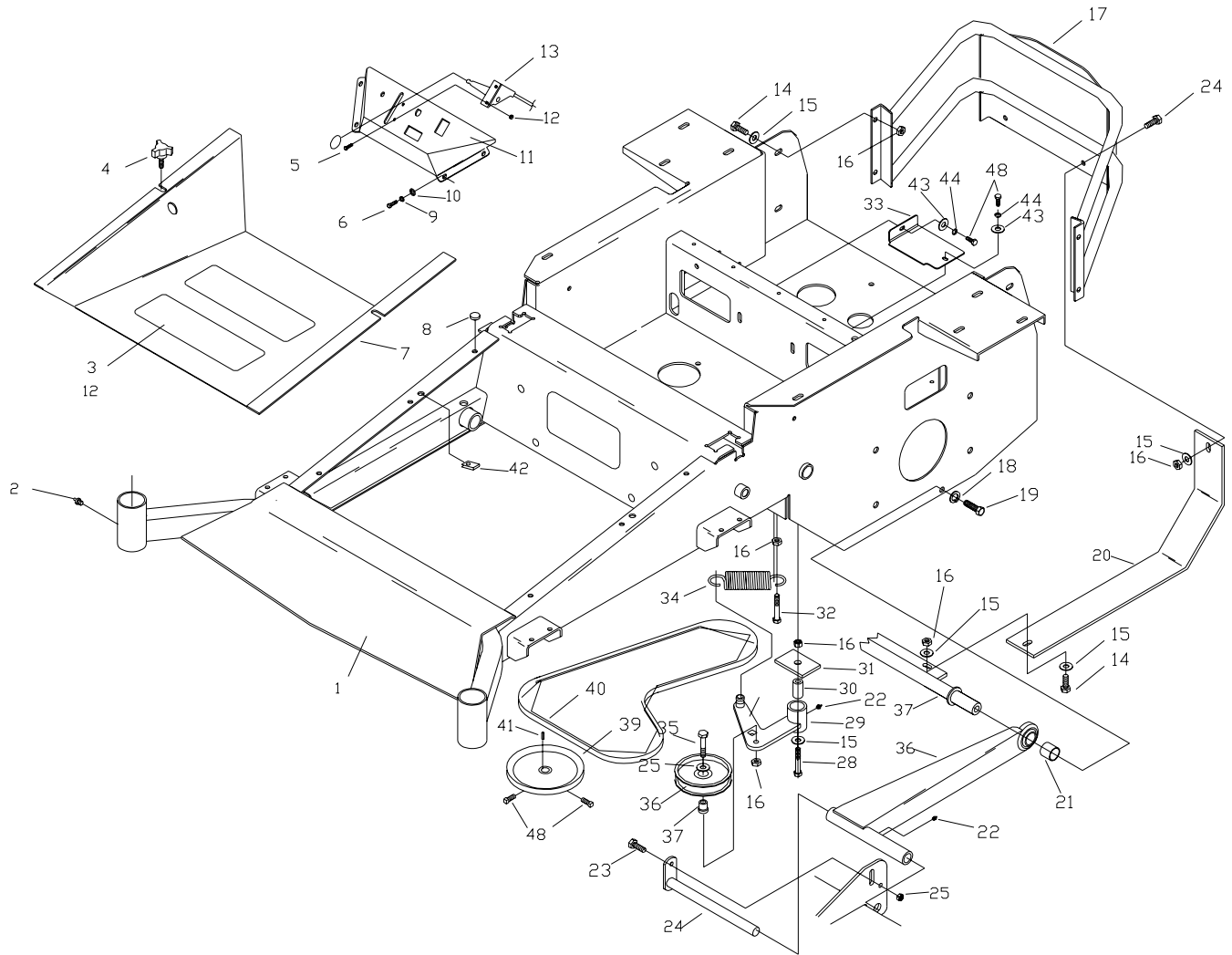


## Parts Manual

## Models:

968999175 / ZTH7226KOA  
968999180 / ZTH5221KAA  
968999181 / ZTH5223KAA  
968999182 / ZTH5223KOA  
968999183 / ZTH5223KOLA  
968999184 / ZTH5225KOA  
968999185 / ZTH5225KAA  
968999186 / ZTH6125KAA  
968999187 / ZTH6125KOA  
968999188 / ZTH6126KOA  
968999189 / ZTH6123KOLA  
968999202 / ZTH7227KOA  
968999203 / ZTH6123KAA

# Main Frame Assembly



# Main Frame Assembly

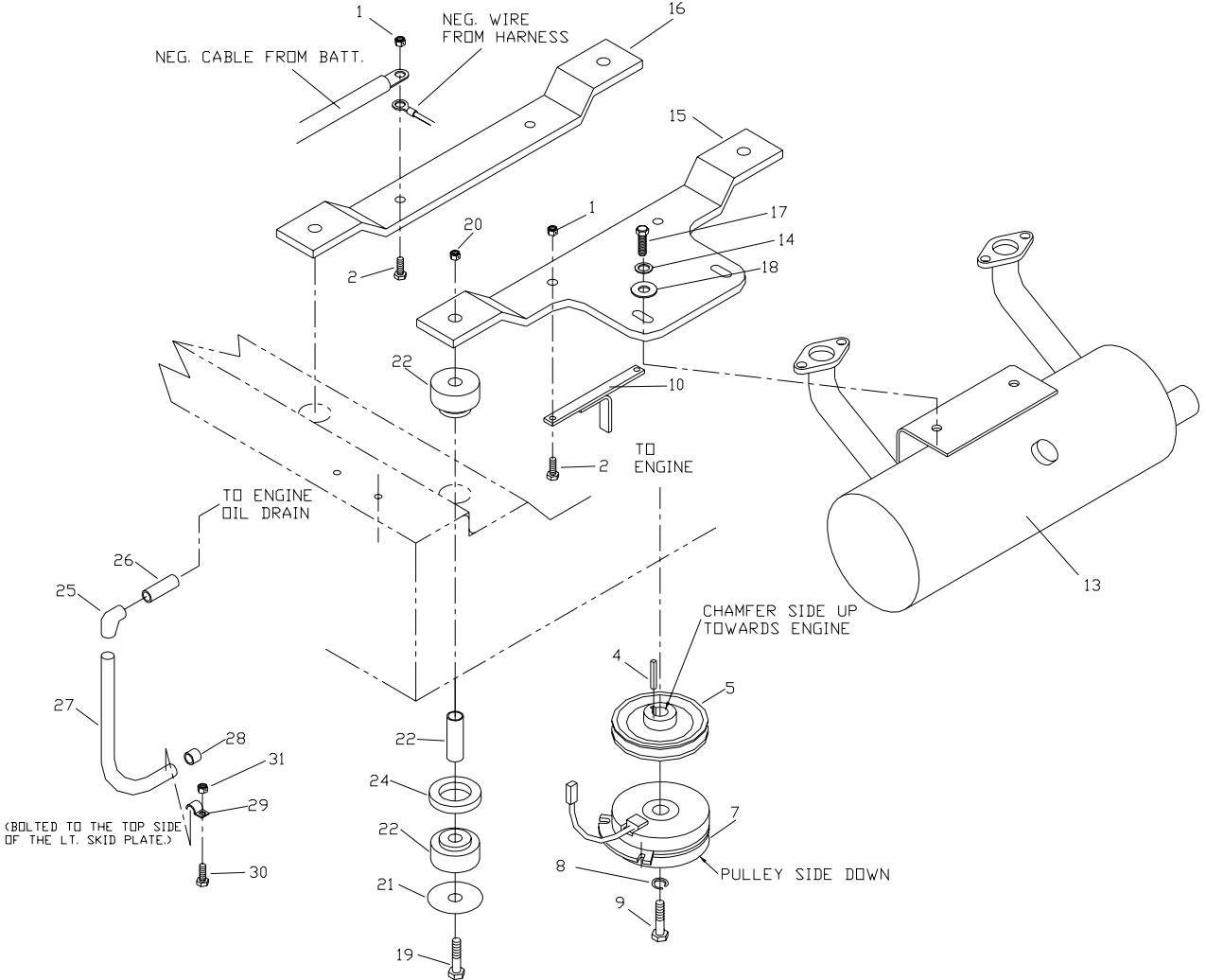
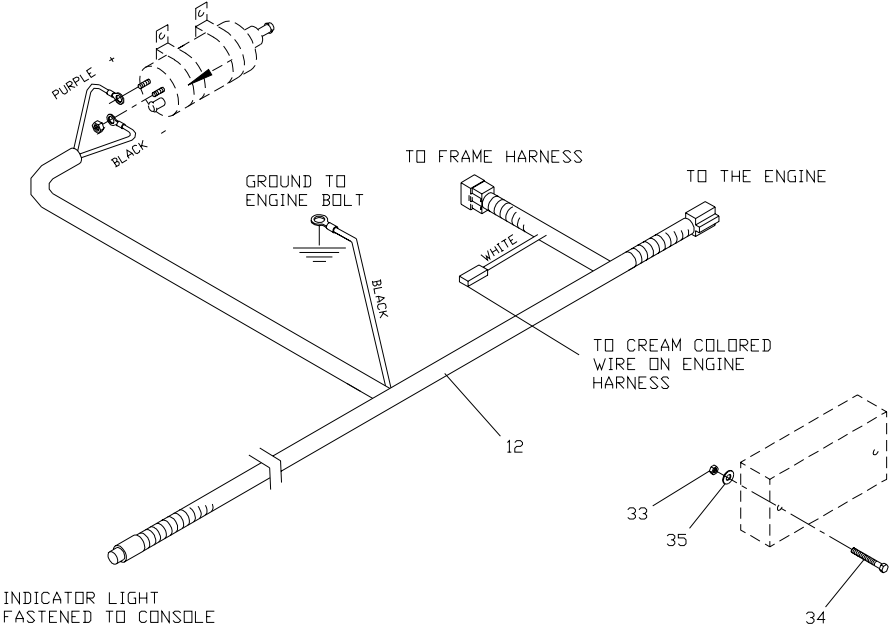
| ITEM | PART NO.  | QTY | DESCRIPTION         | ITEM | PART NO.  | QTY | DESCRIPTION           |
|------|-----------|-----|---------------------|------|-----------|-----|-----------------------|
| 1    | 539105492 | 1   | FRAME 72" MODEL     | 24   | 539102619 | 1   | STRUT PIN             |
|      | 539105886 | 1   | FRAME 52" & 61"     | 25   | 539990184 | 2   | NUT 5/16 LOCK         |
| 2    | 539101474 | 2   | ZERK                | 26   | 539104390 | 1   | STRUT                 |
| 3    | 539977778 | 3   | ANTI SKID PAD       | 27   | 539105478 | 1   | CROSS SHAFT 72"       |
| 4    | 539104411 | 2   | KNOB                |      | 539104332 | 1   | CROSS SHAFT 52" & 61" |
| 5    | 539990411 | 2   | HCS # 10 X 1/2      | 28   | 539103433 | 1   | HCS 1/2 X 3.25        |
| 6    | 539990362 | 4   | 1/4 x 5/8 SELF TAP  | 29   | 539104388 | 1   | IDLER ARM             |
| 7    | 539104721 | 1   | FOOT PLATE          | 30   | 539103427 | 1   | PIVOT BUSHING         |
| 8    | 539102587 | 6   | BUMPER              | 31   | 539102236 | 1   | SUPPORT PLATE         |
| 9    | 539990052 | 4   | 1/4 LOCK WASHER     | 32   | 539990655 | 1   | HCS 3/8 X 1.5         |
| 10   | 539990598 | 4   | 1/4 FLAT WASHER     | 33   | 539105716 | 1   | IDLER COVER           |
| 11   | 539105151 | 1   | CONSOLE W DECAL     | 34   | 539103256 | 1   | SPRING                |
| 12   | 539976977 | 2   | NUT #10 NYLOC       | 35   | 539990730 | 1   | HCS 3/8 X 1.75        |
| 13   | 539102732 | 1   | THROTTLE CABLE      | 36   | 539976688 | 1   | IDLER PULLEY          |
| 14   | 539990563 | 8   | HCS 3/8 X 1.0       | 37   | 539976695 | 1   | IDLER BUSHING         |
| 15   | 539990517 | 14  | 3/8 FLAT WASHER     | 38   | 539102717 | 4   | 5/16 X 5/8 SETSCW.    |
| 16   | 539990546 | 10  | NUT 3/8 LOCK        | 39   | 539101176 | 2   | PULLEY                |
| 17   | 539104329 | 1   | ENGINE GUARD        | 40   | 539104334 | 1   | PUMP BELT             |
| 18   | 539990247 | 2   | 7/16 LOCK WASHER    | 41   | 539101177 | 2   | KEY 5mm SQ.           |
| 19   | 539105905 | 2   | HCS 7/16 X 1.0 GD 8 | 42   | 539104763 | 4   | CLIP                  |
| 20   | 539105022 | 2   | SKID PLATE          | 43   | 539990692 | 2   | 5/16 FLAT WASHER      |
| 21   | 539104521 | 1   | STRUT SPACER        | 44   | 539990187 | 2   | 5/16 LOCK WASHER      |
| 22   | 539976998 | 3   | ZERK                | 45   | 539105577 | 1   | STRUT RT. SIDE        |
| 23   | 539976934 | 4   | HCS 5/16 X 3/4      | 46   | 539105481 | 1   | STRUT PIN RT. SIDE    |
|      |           |     |                     | 47   | 539105484 | 1   | STRUT SPACER RT.SIDE  |
|      |           |     |                     | 48   | 539990209 | 2   | HCS 5/16 X 1.0        |

**NOTE:**

ITEMS 21, 24, 26 QUANTITY WILL BE 2 FOR 52" AND 61" MODELS.

ITEMS 45, 46, AND 47 ARE SPECIFIC TO 72" MODELS ONLY.

# EFI Engine Assembly



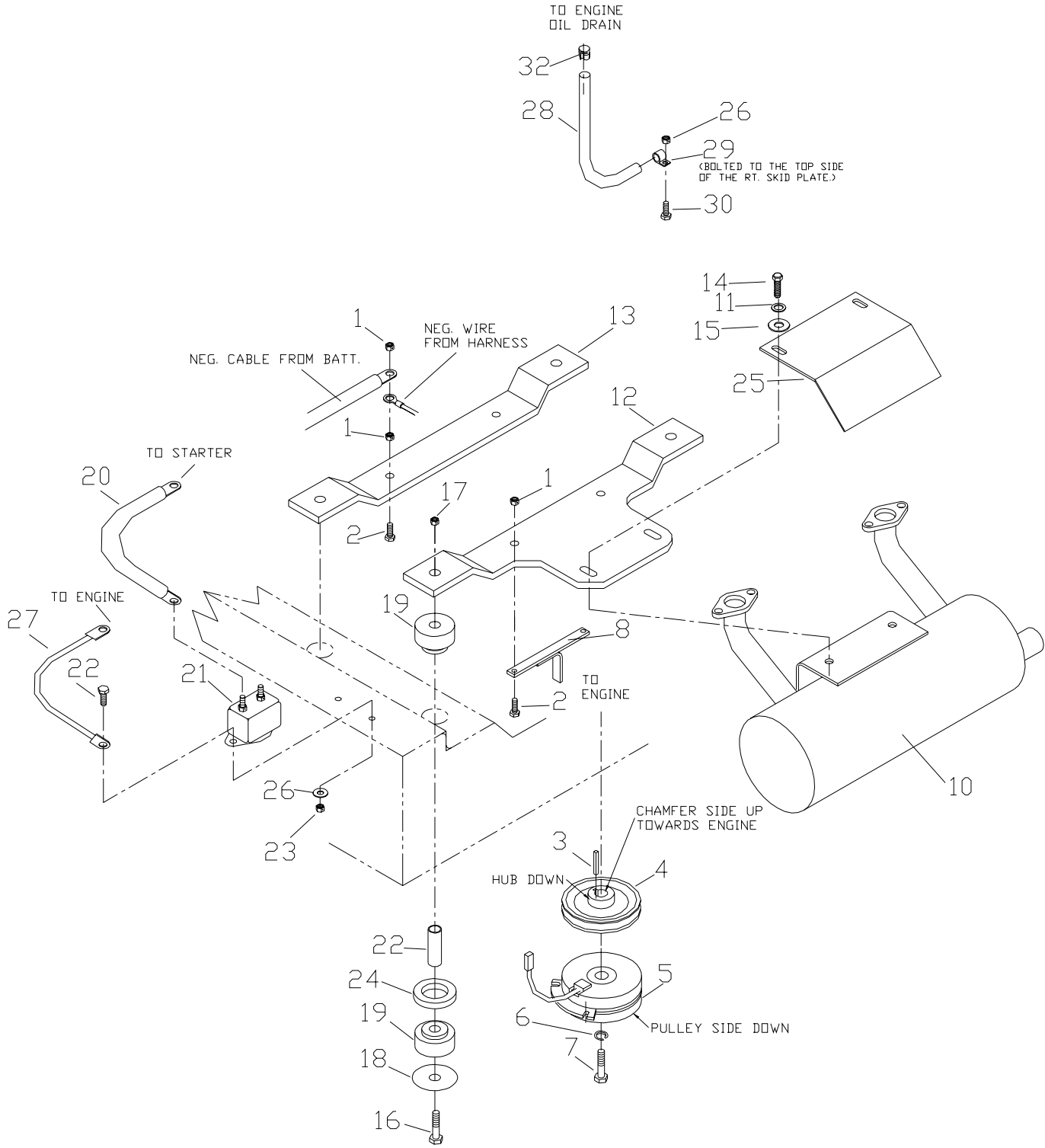
# EFI Engine Assembly

| ITEM | PART NO.  | QTY | DESCRIPTION        |
|------|-----------|-----|--------------------|
| 1    | 539990184 | 6   | NUT 5/16 LOCK      |
| 2    | 539990669 | 4   | HCS 5/16 X 1.75    |
| 4    | 539100152 | 1   | KEY 1/4 SQ.        |
| 5    | 539106057 | 1   | PULLEY             |
| 7    | 539105406 | 1   | CLUTCH             |
| 8    | 539990247 | 1   | 7/16 LOCK WASHER   |
| 9    | 539991120 | 1   | HCS 7/16F X 2.5    |
| 10   | 539106819 | 1   | CLUTCH TIE DOWN    |
| 12   | 539105333 | 1   | EFI HARNESS        |
| 13   | 539105335 | 1   | EFI MUFFLER        |
| 14   | 539990187 | 2   | 5/16 LOCK WASHER   |
| 15   | 539105410 | 1   | REAR ENGINE MT.    |
| 16   | 539105025 | 1   | ENGINE MOUNT       |
| 17   | 539990209 | 2   | HCS 5/16 X 1.0     |
| 18   | 539990692 | 2   | 5/16 FLAT WASHER   |
| 19   | 539103433 | 4   | HCS 1/2 X 3.25     |
| 20   | 539101331 | 4   | NUT 1/2 NYLOC      |
| 21   | 539104959 | 4   | ISOLATOR WASHER    |
| 22   | 539104958 | 4   | ISOLATORS          |
| 24   | 539105034 | 4   | ISOLATOR SPACER    |
| 25   | 539105072 | 1   | 90 DEG. ELBOW      |
| 26   | 539105073 | 1   | PIPE 3/8 X 1.5 NPT |
| 27   | 539101362 | 1   | OIL DRAIN HOSE     |
| 28   | 539101364 | 1   | DRAIN CAP          |
| 29   | 539101363 | 1   | CLAMP              |
| 30   | 539990580 | 1   | HCS 1/4 X 3/4      |
| 31   | 539990761 | 1   | NUT 1/4 LOCK       |
| 32   | 539991034 | 3   | SCREW SELF TAP     |
| 33   | 539976977 | 2   | NUT #10 NYLOC      |
| 34   | 539105407 | 2   | SCREW #10 X 2.0    |
| 35   | 539105408 | 2   | #10 WASHER         |

**NOTE:**

Torque item 9 to 45 ft/lbs

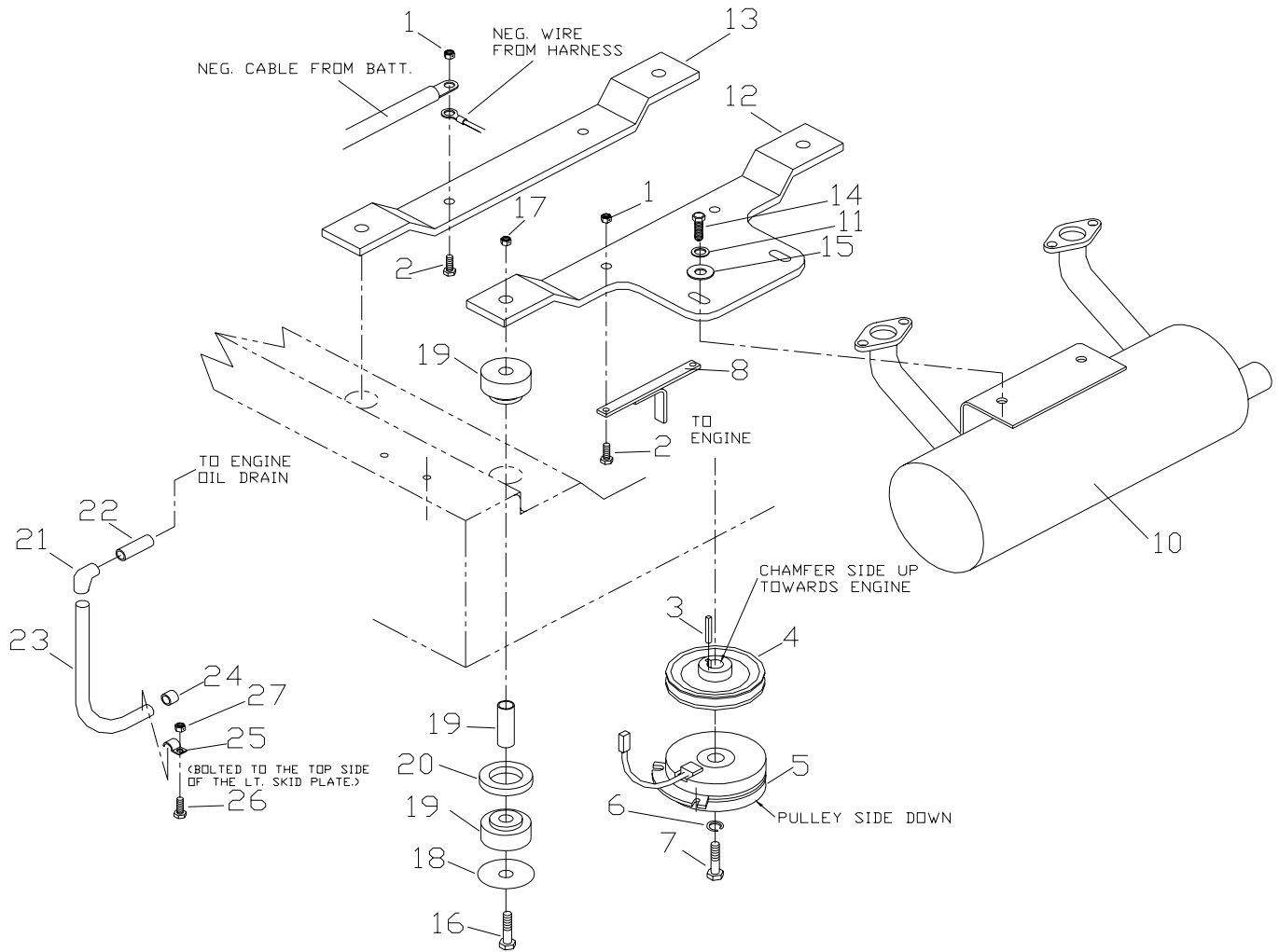
# Kawasaki Engine Assembly



# Kawasaki Engine Assembly

| ITEM | PART NO.  | QTY | DESCRIPTION              |
|------|-----------|-----|--------------------------|
| 1    | 539990184 | 5   | NUT 5/16 LOCK            |
| 2    | 539990669 | 4   | HCS 5/16 X 1.75          |
| 3    | 539100152 | 1   | KEY 1/4 SQ.              |
| 4    | 539106057 | 1   | PULLEY                   |
| 5    | 539105406 | 1   | CLUTCH                   |
| 6    | 539990247 | 1   | WASHER 7/16 LOCK         |
| 7    | 539991120 | 1   | HCS 7/16F X 2.5          |
| 8    | 539106819 | 1   | CLUTCH TIE DOWN          |
| 9    | 539104415 | 1   | KAWASAKI PIGTAIL         |
| 10   | 539105897 | 1   | MUFFLER                  |
| 11   | 539990187 | 2   | WASHER 5/16 LOCK         |
| 12   | 539105410 | 1   | ENGINE MOUNT             |
| 13   | 539105025 | 1   | ENGINE MOUNT             |
| 14   | 539976934 | 2   | HCS 5/16 X .750          |
| 15   | 539990692 | 2   | WASHER 5/16 FLAT         |
| 16   | 539103433 | 4   | HCS 1/2 X 3.25           |
| 17   | 539101331 | 4   | NUT 1/2 NYLOC            |
| 18   | 539104959 | 4   | WASHER                   |
| 19   | 539104958 | 4   | ISOLATOR                 |
| 20   | 539102757 | 1   | CABLE, POSITIVE          |
| 21   | 539101714 | 1   | SOLINOID                 |
| 22   | 539990072 | 2   | HCS 1/4 X .625           |
| 23   | 539990761 | 3   | NUT 1/4 CTR. LOCK        |
| 24   | 539105034 | 4   | SPACER                   |
| 25   | 539105968 | 1   | MUFFLER GUARD            |
| 26   | 539990053 | 1   | WASHER 1/4 INT. TOOTH    |
| 27   | 539105409 | 1   | GROUND WIRE              |
| 28   | 539105395 | 1   | OIL DRAIN HOSE           |
| 29   | 539102685 | 1   | LOOM CLIP                |
| 30   | 539990580 | 1   | HCS 1/4 X .750           |
| 31   | 539102733 | 1   | CHOKE CONTROL(NOT SHOWN) |
| 32   | 539102877 | 1   | CLAMP                    |
| 33   | 539102759 | 2   | INSULATOR                |

# Kohler Engine Assembly

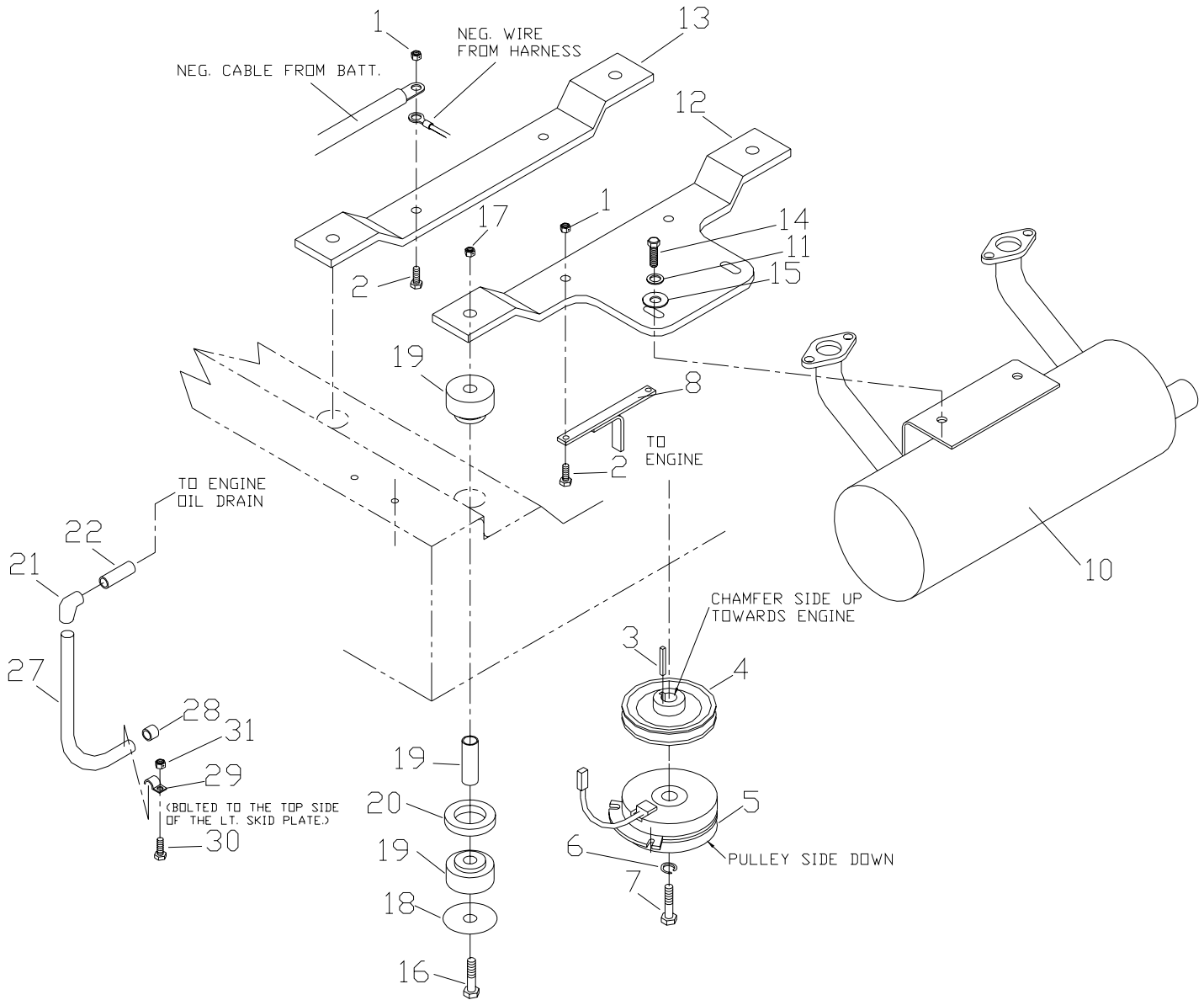




# Kohler Engine Assembly

| ITEM | PART NO.  | QTY | DESCRIPTION              |
|------|-----------|-----|--------------------------|
| 1    | 539990184 | 4   | NUT 5/16 LOCK            |
| 2    | 539990669 | 4   | HCS 5/16 X 1.75          |
| 3    | 539100152 | 1   | KEY 1/4 SQ.              |
| 4    | 539106057 | 1   | PULLEY                   |
| 5    | 539105406 | 1   | CLUTCH                   |
| 6    | 539990247 | 1   | WASHER 7/16 LOCK         |
| 7    | 539991120 | 1   | HCS 7/16F X 2.5          |
| 8    | 539106819 | 1   | CLUTCH TIE DOWN          |
| 9    | 539104416 | 1   | KOHLER PIGTAIL           |
| 10   | 539105896 | 1   | MUFFLER                  |
| 11   | 539990187 | 2   | WASHER 5/16 LOCK         |
| 12   | 539105410 | 1   | ENGINE MOUNT             |
| 13   | 539105025 | 1   | ENGINE MOUNT             |
| 14   | 539976934 | 2   | HCS 5/16 X .750          |
| 15   | 539990692 | 2   | WASHER 5/16 FLAT         |
| 16   | 539103433 | 4   | HCS 1/2 X 3.25           |
| 17   | 539101331 | 4   | NUT 1/2 NYLOC            |
| 18   | 539104959 | 4   | WASHER                   |
| 19   | 539104958 | 4   | ISOLATOR                 |
| 20   | 539105034 | 4   | SPACER                   |
| 21   | 539105072 | 1   | ELBOW                    |
| 22   | 539105073 | 1   | 3/8 NPT PIPE             |
| 23   | 539101362 | 1   | OIL DRAIN HOSE           |
| 24   | 539101364 | 1   | DRAIN CAP                |
| 25   | 539101363 | 1   | CLAMP                    |
| 26   | 539990580 | 1   | HCS 1/4 X .750           |
| 27   | 539990761 | 3   | NUT 1/4 CTR. LOCK        |
| 28   | 539102733 | 1   | CHOKE CONTROL(NOT SHOWN) |

# Liquid Cooled Kohler Engine Assembly



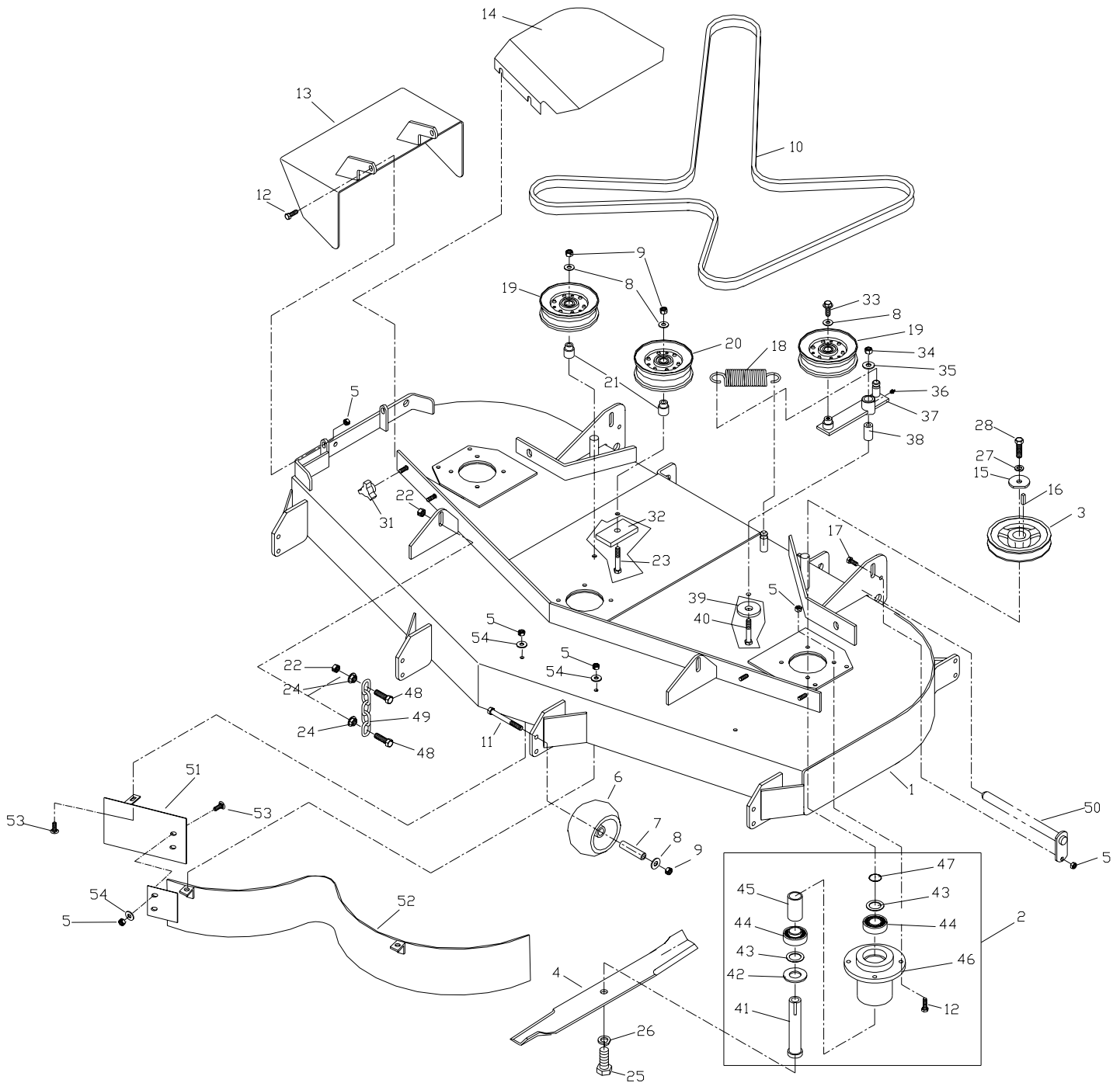
# Liquid Cooled Kohler Engine Assembly

| ITEM | PART NO.  | QTY | DESCRIPTION                   |
|------|-----------|-----|-------------------------------|
| 1    | 539990184 | 4   | NUT 5/16 LOCK                 |
| 2    | 539990669 | 4   | HCS 5/16 X 1.75               |
| 3    | 539100152 | 1   | KEY 1/4 SQ.                   |
| 4    | 539106057 | 1   | PULLEY                        |
| 5    | 539105406 | 1   | CLUTCH                        |
| 6    | 539990247 | 1   | WASHER 7/16 LOCK              |
| 7    | 539991120 | 1   | HCS 7/16F X 2.5               |
| 8    | 539106819 | 1   | CLUTCH TIE DOWN               |
| 9    | 539105300 | 1   | KOHLER PIGTAIL L/C(NOT SHOWN) |
| 10   | 539105896 | 1   | MUFFLER                       |
| 11   | 539990187 | 2   | WASHER 5/16 LOCK              |
| 12   | 539105410 | 1   | ENGINE MOUNT                  |
| 13   | 539105025 | 1   | ENGINE MOUNT                  |
| 14   | 539976934 | 2   | HCS 5/16 X .750               |
| 15   | 539990692 | 4   | WASHER 5/16 FLAT              |
| 16   | 539103433 | 4   | HCS 1/2 X 3.25                |
| 17   | 539101331 | 4   | NUT 1/2 NYLOC                 |
| 18   | 539104959 | 4   | WASHER                        |
| 19   | 539104958 | 4   | ISOLATOR                      |
| 20   | 539105034 | 4   | SPACER                        |
| 21   | 539105072 | 1   | ELBOW                         |
| 22   | 539105073 | 1   | 3/8 NPT PIPE                  |
| 23   | 539105246 | 1   | WATER TEMP. GAUGE             |
| 24   | 539105248 | 1   | GAUGE BRACKET                 |
| 25   | 539105247 | 1   | GUAGE HARNESS                 |
| 26   | 539976937 | 1   | HCS 5/16 X 2.0                |
| 27   | 539101362 | 1   | OIL DRAIN HOSE                |
| 28   | 539101364 | 1   | DRAIN CAP                     |
| 29   | 539101363 | 1   | CLAMP                         |
| 30   | 539990580 | 1   | HCS 1/4 X .750                |
| 31   | 539990761 | 3   | NUT 1/4 CTR. LOCK             |
| 32   | 539102733 | 1   | CHOKE CONTROL(NOT SHOWN)      |
| 33   | 539102685 | 1   | LOOM CLIP                     |

**NOTE:**

ITEMS 23, 24, 25, 26, 33 ARE NOT SHOWN. LOCATION OF THESE ITEMS ON THE UNIT ARE AT THE RIGHT SIDE OF THE OPERATORS SEAT MOUNTED TO THE FRAME

# 52" Front Deck Assembly

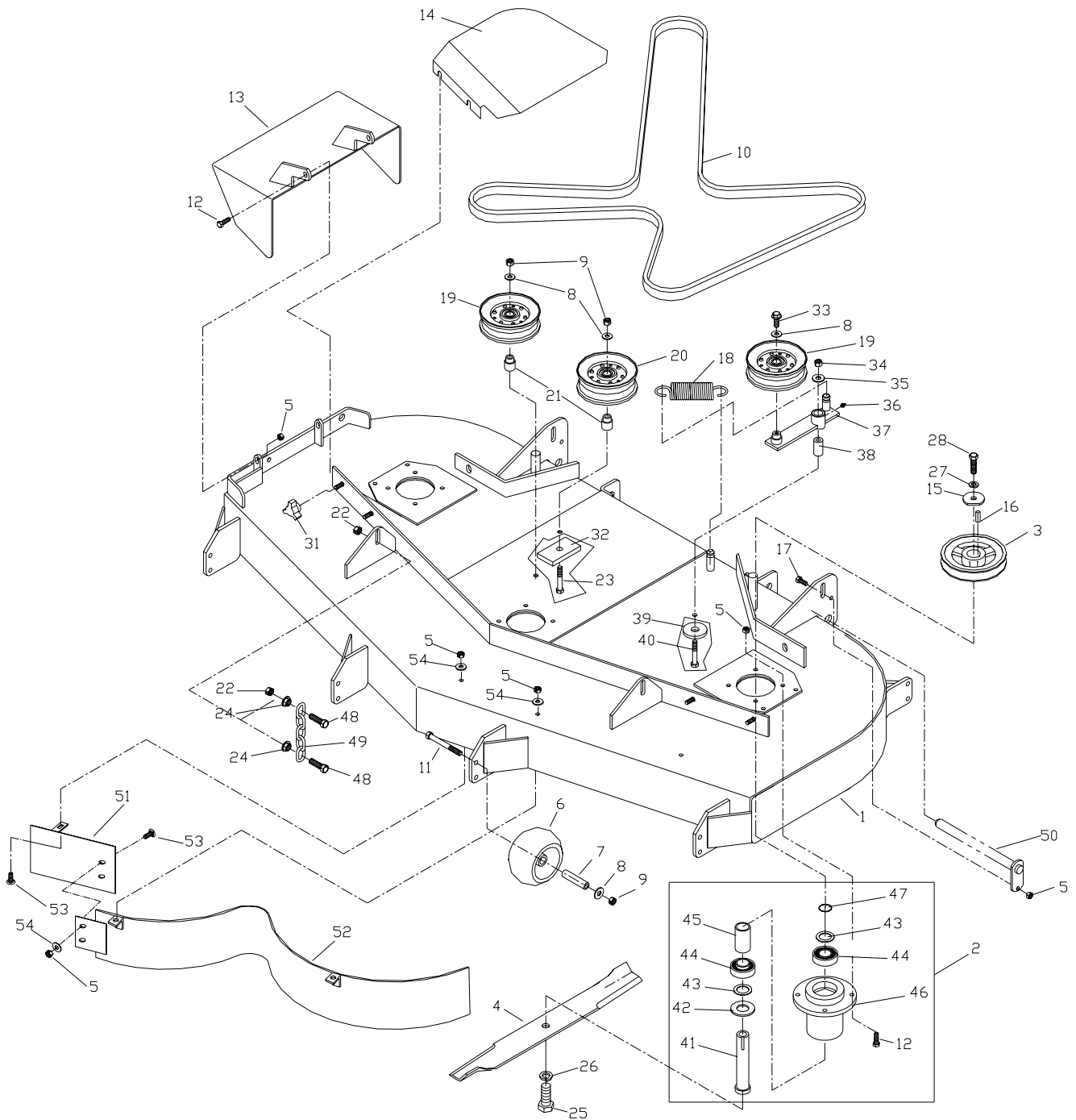


NOTE: Remove item 47 before installing pulley on shaft.

# 52" Front Deck Assembly

| ITEM | PART NO.  | QTY | DESCRIPTION         |
|------|-----------|-----|---------------------|
| 1    | 539105150 | 1   | DECK W/DECALS       |
| 2    | 539104403 | 3   | CUTTER HOUSING ASM. |
| 3    | 539104421 | 3   | PULLEY              |
| 4    | 539100341 | 3   | BLADE               |
| 5    | 539990184 | 21  | NUT 5/16 LOCK       |
| 6    | 539102643 | 6   | ROLLER              |
| 7    | 539102698 | 6   | BUSHING             |
| 8    | 539990517 | 9   | 3/8 FLAT WASHER     |
| 9    | 539990546 | 8   | NUT 3/8 LOCK        |
| 10   | 539104335 | 1   | BELT                |
| 11   | 539102754 | 6   | HCS 3/8 X 3.5       |
| 12   | 539990209 | 14  | HCS 5/16 X 1.00     |
| 13   | 539104422 | 1   | DISCHARGE CHUTE     |
| 14   | 539105104 | 1   | BELT SHIELD RT.     |
|      | 539105105 | 1   | BELT SHIELD LT.     |
| 15   | 539106504 | 3   | WASHER              |
| 16   | 539101995 | 3   | KEY 1/4 SQ.         |
| 17   | 539976934 | 2   | HCS 5/16 X .750     |
| 18   | 539105192 | 1   | SPRING              |
| 19   | 539103257 | 2   | PULLEY 1.31         |
| 20   | 539103258 | 1   | PULLEY 1.62         |
| 21   | 539103295 | 2   | IDLER BUSHING       |
| 22   | 539990839 | 8   | NUT 7/16 LOCK       |
| 23   | 539990637 | 2   | HCS 3/8 X 2.5       |
| 24   | 539102582 | 8   | NUT 7/16 WHIZ       |
| 25   | 539103299 | 3   | HCS 5/8F X 1.25     |
| 26   | 539990333 | 3   | WASHER 5/8 LOCK     |
| 27   | 539990247 | 3   | 7/16 LOCK WASHER    |
| 28   | 539100141 | 3   | HCS 7/16F X 1.5     |
| 31   | 539102070 | 6   | KNOB                |
| 32   | 539103303 | 2   | PAD                 |
| 33   | 539990582 | 1   | HCS 3/8 X 1.0 SERR. |
| 34   | 539101331 | 1   | NUT 1/2 NYLOC       |
| 35   | 539990550 | 1   | WASHER 1/2 FLAT     |
| 36   | 539976998 | 1   | ZERK                |
| 37   | 539103230 | 1   | IDLER ARM           |
| 38   | 539103427 | 1   | PIVOT BUSHING       |
| 39   | 539102243 | 1   | SUPPORT WASHER      |
| 40   | 539103433 | 1   | HCS 1/2 X 3.25      |
| 41   | 539104402 | 1   | SPINDLE             |
| 42   | 539102675 | 1   | MACHINE BUSHING     |
| 43   | 539102244 | 2   | MACHINE BUSHING     |
| 44   | 539102677 | 2   | BEARING             |
| 45   | 539102676 | 1   | SPACER              |
| 46   | 539104852 | 1   | HOUSING             |
| 47   | 539102253 | 1   | O RING              |
| 48   | 539101175 | 8   | HCS 7/16 X 1.5      |
| 49   | 539102641 | 4   | LIFT CHAIN          |
| 50   | 539102619 | 2   | PIVOT PIN           |
| 51   | 539105453 | 1   | BAFFLE , CENTER     |
| 52   | 539105457 | 1   | BAFFLE, MAIN        |
| 53   | 539990799 | 5   | RHSNB 5/16 X 5/8    |
| 54   | 539990692 | 5   | 5/16 FLAT WASHER    |

# 61" Front Deck Assembly

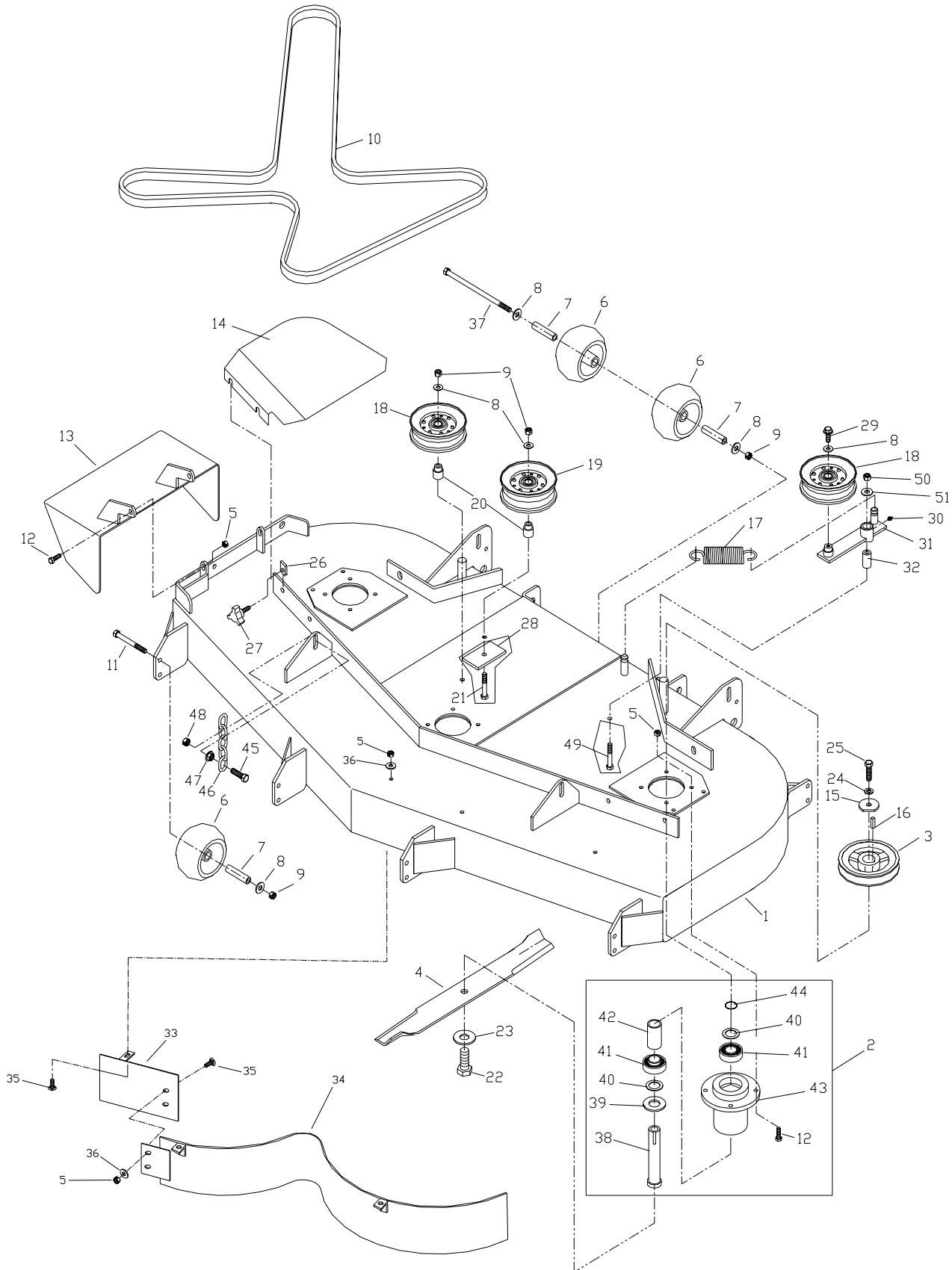


NOTE: Remove item 47 before installing pulley on shaft.

# 61" Front Deck Assembly

| ITEM | PART NO.  | QTY | DESCRIPTION         |
|------|-----------|-----|---------------------|
| 1    | 539105149 | 1   | DECK W/DECALS       |
| 2    | 539104403 | 3   | CUTTER HOUSING ASM. |
| 3    | 539104420 | 3   | PULLEY              |
| 4    | 539101733 | 3   | BLADE               |
| 5    | 539990184 | 21  | NUT 5/16 LOCK       |
| 6    | 539102643 | 6   | ROLLER              |
| 7    | 539102698 | 6   | BUSHING             |
| 8    | 539990517 | 9   | 3/8 FLAT WASHER     |
| 9    | 539990546 | 8   | NUT 3/8 LOCK        |
| 10   | 539104336 | 1   | BELT                |
| 11   | 539102754 | 6   | HCS 3/8 X 3.5       |
| 12   | 539990209 | 14  | HCS 5/16 X 1.00     |
| 13   | 539104422 | 1   | DISCHARGE CHUTE     |
| 14   | 539105102 | 1   | BELT SHIELD RT.     |
|      | 539105103 | 1   | BELT SHIELD LT.     |
| 15   | 539106504 | 3   | WASHER              |
| 16   | 539101995 | 3   | KEY 1/4 SQ.         |
| 17   | 539976934 | 2   | HCS 5/16 X .750     |
| 18   | 539105192 | 1   | SPRING              |
| 19   | 539103257 | 2   | PULLEY 1.31         |
| 20   | 539103258 | 1   | PULLEY 1.62         |
| 21   | 539103295 | 2   | IDLER BUSHING       |
| 22   | 539990839 | 8   | NUT 7/16 LOCK       |
| 23   | 539990637 | 2   | HCS 3/8 X 2.5       |
| 24   | 539102582 | 8   | NUT 7/16 WHIZ       |
| 25   | 539103299 | 3   | HCS 5/8F X 1.25     |
| 26   | 539990333 | 3   | WASHER 5/8 LOCK     |
| 27   | 539990247 | 3   | 7/16 LOCK WASHER    |
| 28   | 539100141 | 3   | HCS 7/16F X 1.5     |
| 31   | 539102070 | 6   | KNOB                |
| 32   | 539103303 | 2   | PAD                 |
| 33   | 539990582 | 1   | HCS 3/8 X 1.0 SERR. |
| 34   | 539101331 | 1   | NUT 1/2 NYLOC       |
| 35   | 539990550 | 1   | WASHER 1/2 FLAT     |
| 36   | 539976998 | 1   | ZERK                |
| 37   | 539103230 | 1   | IDLER ARM           |
| 38   | 539103427 | 1   | PIVOT BUSHING       |
| 39   | 539102243 | 1   | SUPPORT WASHER      |
| 40   | 539103433 | 1   | HCS 1/2 X 3.25      |
| 41   | 539104402 | 1   | SPINDLE             |
| 42   | 539102675 | 1   | MACHINE BUSHING     |
| 43   | 539102244 | 2   | MACHINE BUSHING     |
| 44   | 539102677 | 2   | BEARING             |
| 45   | 539102676 | 1   | SPACER              |
| 46   | 539104852 | 1   | HOUSING             |
| 47   | 539102253 | 1   | ORING               |
| 48   | 539101175 | 8   | HCS 7/16 X 1.5      |
| 49   | 539102641 | 4   | LIFT CHAIN          |
| 50   | 539102619 | 2   | PIVOT PIN           |
| 51   | 539105461 | 1   | BAFFLE , CENTER     |
| 52   | 539105465 | 1   | BAFFLE, MAIN        |
| 53   | 539990799 | 5   | RHSNB 5/16 X 5/8    |
| 54   | 539990692 | 5   | 5/16 FLAT WASHER    |

# 72" Front Deck Assembly



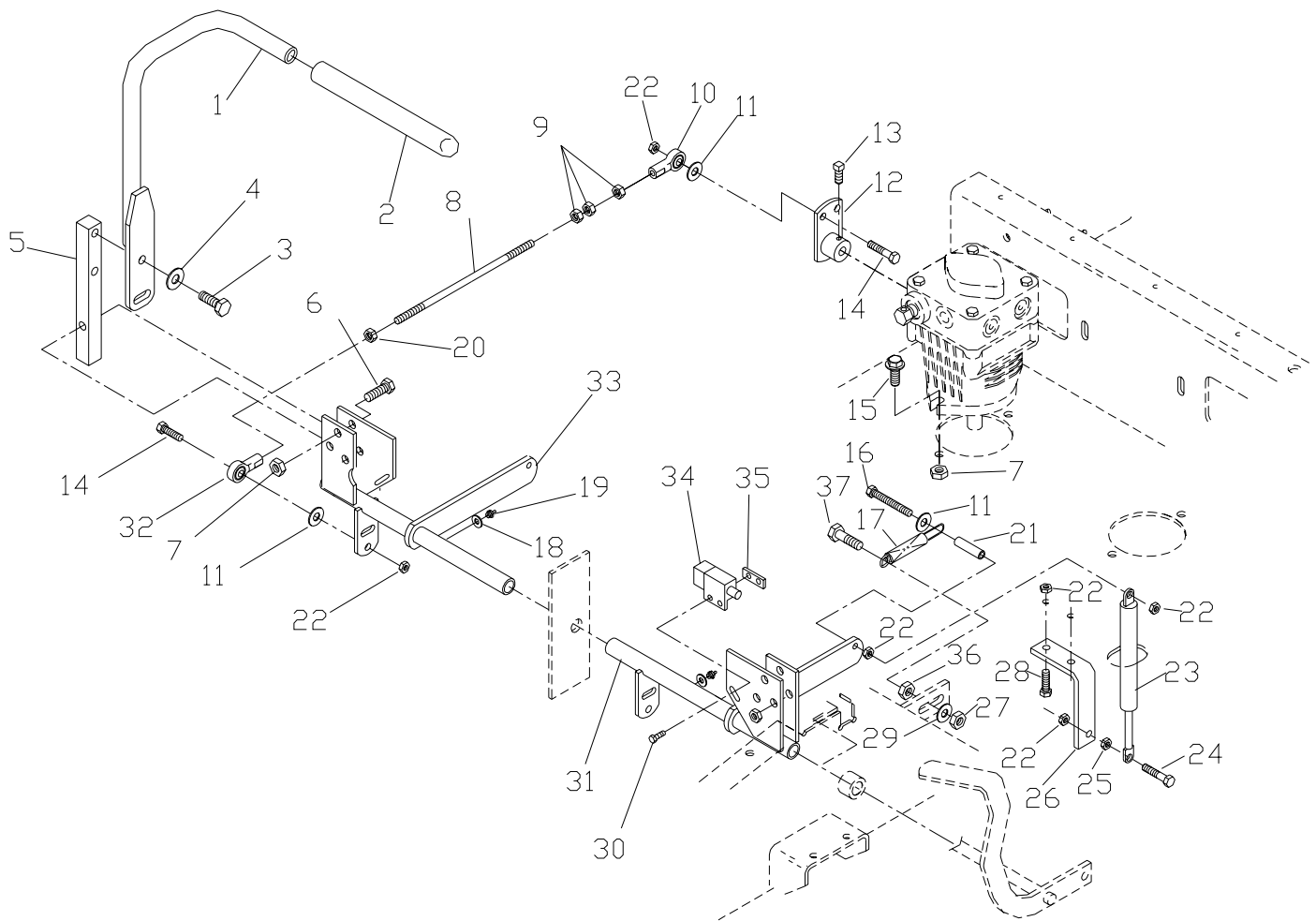
NOTE: Remove item 44 before installing pulley on shaft.



# 72" Front Deck Assembly

| ITEM | PART NO.  | QTY | DESCRIPTION          |
|------|-----------|-----|----------------------|
| 1    | 539105488 | 1   | DECK W/DECALS        |
| 2    | 539105632 | 3   | CUTTER HOUSING ASM.  |
| 3    | 539105485 | 3   | PULLEY               |
| 4    | 539105476 | 3   | BLADE                |
| 5    | 539990184 | 19  | NUT 5/16 LOCK        |
| 6    | 539102643 | 8   | ROLLER               |
| 7    | 539102698 | 8   | BUSHING              |
| 8    | 539990517 | 11  | 3/8 FLAT WASHER      |
| 9    | 539990546 | 9   | NUT 3/8 LOCK         |
| 10   | 539105477 | 1   | BELT                 |
| 11   | 539102754 | 6   | HCS 3/8 X 3.5        |
| 12   | 539990627 | 12  | HCS 5/16 X 1.25      |
| 13   | 539105981 | 1   | DISCHARGE CHUTE      |
| 14   | 539105564 | 1   | BELT SHIELD RT.      |
|      | 539105566 | 1   | BELT SHIELD LT.      |
| 15   | 539106504 | 3   | WASHER               |
| 16   | 539101995 | 3   | KEY 1/4 SQ.          |
| 17   | 539105192 | 1   | SPRING               |
| 18   | 539103257 | 2   | PULLEY 1.31          |
| 19   | 539103258 | 1   | PULLEY 1.62          |
| 20   | 539103295 | 2   | IDLER BUSHING        |
| 21   | 539101341 | 2   | HCS 3/8 X 3.0        |
| 22   | 539105633 | 3   | HCS 5/8F X 2.0 GD. 8 |
| 23   | 539105634 | 3   | 5/8 SPRING WASHER    |
| 24   | 539990247 | 3   | 7/16 LOCK WASHER     |
| 25   | 539100141 | 3   | HCS 7/16F X 1.5      |
| 26   | 539104763 | 8   | "U" CLIP             |
| 27   | 539104411 | 8   | KNOB                 |
| 28   | 539103303 | 2   | PAD                  |
| 29   | 539990582 | 1   | HCS 3/8 X 1.0 SERR.  |
| 30   | 539976998 | 1   | ZERK                 |
| 31   | 539103230 | 1   | IDLER ARM            |
| 32   | 539103427 | 1   | PIVOT BUSHING        |
| 33   | 539105615 | 1   | BAFFLE, CENTER       |
| 34   | 539105614 | 1   | BAFFLE, MAIN         |
| 35   | 539990799 | 5   | RHSNB 5/16 X 5/8     |
| 36   | 539990692 | 5   | 5/16 FLAT WASHER     |
| 37   | 539105422 | 1   | HCS 3/8 X 6.0 GD. 8  |
| 38   | 539105501 | 1   | SPINDLE              |
| 39   | 539102675 | 1   | MACHINE BUSHING      |
| 40   | 539102244 | 2   | MACHINE BUSHING      |
| 41   | 539102677 | 2   | BEARING              |
| 42   | 539102676 | 1   | SPACER               |
| 43   | 539104852 | 1   | HOUSING              |
| 44   | 539102253 | 1   | O RING               |
| 45   | 539101175 | 8   | HCS 7/16 X 1.5       |
| 46   | 539102641 | 4   | CHAIN                |
| 47   | 539102582 | 8   | NUT 7/16 WHIZ        |
| 48   | 539990839 | 8   | NUT 7/16 LOCK        |
| 49   | 539103433 | 1   | HCS 1/2 X 3.25       |
| 50   | 539101331 | 1   | NUT 1/2 NYLOC        |
| 51   | 539990550 | 1   | WASHER 1/2 FLAT      |

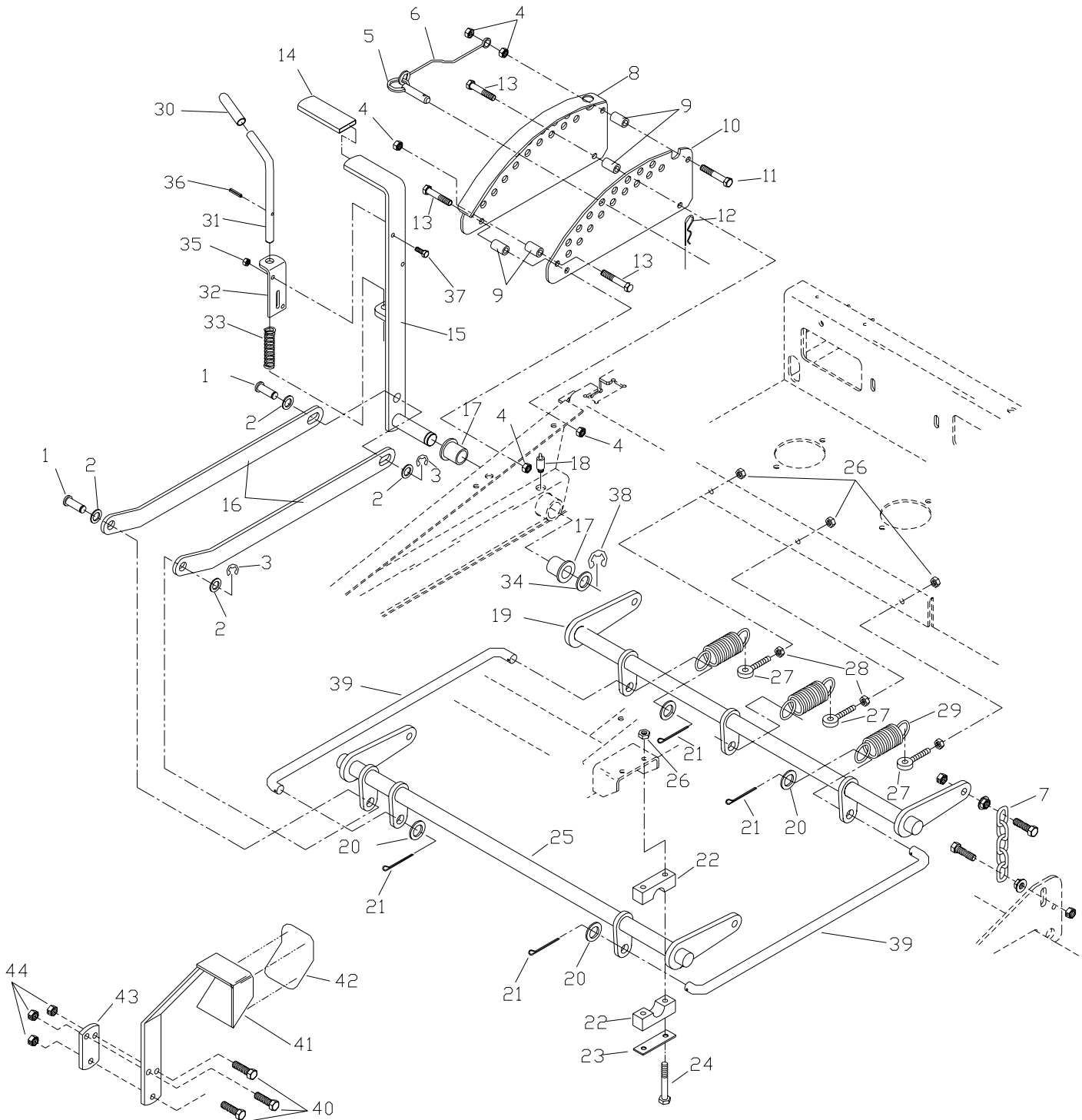
# Motion Control Assembly



# Motion Control Assembly

| ITEM | PART NO.  | QTY | DESCRIPTION           |
|------|-----------|-----|-----------------------|
| 1    | 539104190 | 2   | CONT. LEVER           |
| 2    | 539102592 | 2   | GRIP                  |
| 3    | 539990563 | 4   | HCS 3/8C X 1          |
| 4    | 539102593 | 4   | 3/8 SPRING WASHER     |
| 5    | 539102809 | 2   | ARM CONT. SHAFT       |
| 6    | 539990655 | 6   | HCS 3/8C X 1 1/2      |
| 7    | 539990546 | 10  | NUT 3/8C CTR. LOCK    |
| 8    | 539105279 | 2   | PUMP CONTROL LINK     |
| 9    | 539990223 | 6   | NUT 5/16F             |
| 10   | 539102590 | 2   | BALL JOINT RT.        |
| 11   | 539990692 | 6   | 5/16 FLAT WASHER      |
| 12   | 539104382 | 2   | PUMP LEVER            |
| 13   | 539105079 | 2   | 5/16C X 5/8 "V" POINT |
| 14   | 539990209 | 4   | HCS 5/16C X 1         |
| 15   | 539990582 | 4   | HCS 3/8C X 1          |
| 16   | 539991055 | 2   | TAPBOLT 5/16C X 2.25  |
| 17   | 539103297 | 2   | REV. DETENT SPRING    |
| 18   | 539103547 | 2   | WASHER                |
| 19   | 539976998 | 2   | ZERK                  |
| 20   | 539991073 | 2   | NUT 5/16F LH.         |
| 21   | 539104995 | 2   | SPACER                |
| 22   | 539990184 | 14  | 5/16C CTR. LOCK       |
| 23   | 539102720 | 2   | DAMPENER              |
| 24   | 539990627 | 4   | HCS 5/16C X 1.25      |
| 25   | 539990585 | 2   | 5/16C WHIZ NUT        |
| 26   | 539105023 | 2   | BRACKET "L"           |
| 27   | 539976979 | 2   | 3/8C NYLOC            |
| 28   | 539976934 | 4   | HCS 5/16C X 3/4       |
| 29   | 539990517 | 2   | 3/8 FLAT WASHER       |
| 30   | 539976952 | 4   | SCREW #10-24 X 5/8    |
| 31   | 539104363 | 1   | CONTROL WLDMT. LEFT   |
| 32   | 539102591 | 1   | BALL JOINT LH.        |
| 33   | 539104364 | 1   | CONTROL WLDMT. RIGHT  |
| 34   | 539101080 | 2   | SWITCH                |
| 35   | 539102678 | 2   | TAPPED PLATE          |
| 36   | 539990613 | 2   | 3/8C WHIZ NUT         |
| 37   | 539990588 | 2   | HCS 3/8C X 2          |
| 38   | 539102685 | 1   | HOSE CLAMP            |

# Deck Lift Assembly



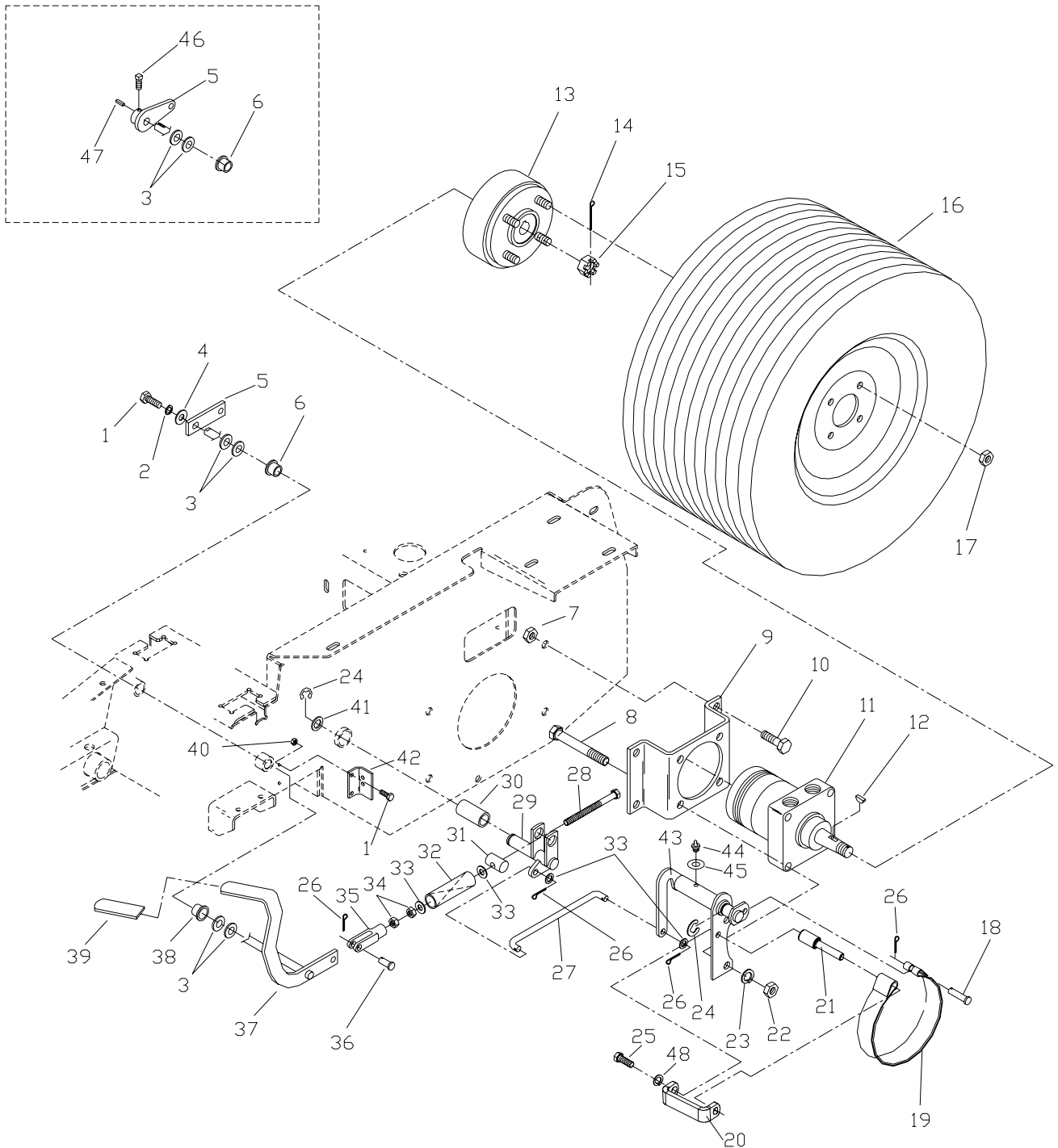
**NOTE: ENTIRE FOOT ASSIST ASSEMBLY P/N 539105180 ITEMS 40 THRU 44**

# Deck Lift Assembly

| ITEM | PART NO.  | QTY | DESCRIPTION         |
|------|-----------|-----|---------------------|
| 1    | 539105060 | 2   | CLEVIS PIN          |
| 2    | 539991043 | 4   | MACH. BUSHING       |
| 3    | 539105069 | 2   | 5/8 E - RING        |
| 4    | 539990546 | 5   | NUT 3/8C CTR. LOCK  |
| 5    | 539102526 | 1   | HITCH PIN           |
| 6    | 539105059 | 1   | LANYARD             |
| 7    | 539102641 | 4   | LIFT CHAIN          |
| 8    | 539104321 | 1   | ADJ. PLATE WLDMT.   |
| 9    | 539104530 | 4   | DECK LIFT SPACER    |
| 10   | 539104323 | 1   | ADJ. PLATE PAINTED  |
| 11   | 539990637 | 1   | HCS 3/8C X 2.5      |
| 12   | 539976989 | 1   | # 4 HAIR PIN        |
| 13   | 539990629 | 3   | HCS 3/8C X 2.25     |
| 14   | 539102515 | 1   | GRIP                |
| 15   | 539104320 | 1   | LEVER WLDMT.        |
| 16   | 539105050 | 2   | LIFT LINKAGE        |
| 17   | 539101232 | 2   | FLANGE BUSHING      |
| 18   | 539104761 | 1   | ZERK - LONG         |
| 19   | 539104389 | 1   | LIFT SHAFT          |
| 20   | 539976982 | 4   | 5/8 SAE WASHER      |
| 21   | 539990654 | 4   | COTTER PIN          |
| 22   | 539104808 | 8   | PILLOW BLOCK        |
| 23   | 539104807 | 4   | SUPPORT PLATE       |
| 24   | 539991046 | 8   | HCS 5/16C X 2.5     |
| 25   | 539104424 | 1   | LIFT SHAFT, FRONT   |
| 26   | 539990184 | 11  | NUT 5/16C CTR. LOCK |
| 27   | 539101982 | 3   | EYE BOLT            |
| 28   | 539990585 | 3   | 5/16C WHIZ NUT      |
| 29   | 539104760 | 3   | DECK LIFT SPRING    |
| 30   | 539101050 | 1   | GRIP                |
| 31   | 539104523 | 1   | PIN                 |
| 32   | 539103534 | 1   | PIN MT.,UPPER       |
| 33   | 539101058 | 1   | SPRING              |
| 34   | 539923787 | 1   | MACH. BUSHING       |
| 35   | 539990761 | 2   | NUT 1/4C CTR. LOCK  |
| 36   | 539101082 | 1   | 3/16 X 1 ROLL PIN   |
| 37   | 539990580 | 2   | HCS 1/4C X 3/4      |
| 38   | 539101802 | 1   | 7/8 E - RING        |
| 39   | 539104310 | 2   | CONN. LINK          |
| 40   | 539990655 | 3   | HCS 3/8 X 1.5       |
| 41   | 539105181 | 1   | LIFT PEDAL          |
| 42   | 539105187 | 1   | ANTI-SKID PAD       |
| 43   | 539105184 | 1   | TIGHTING PLATE      |
| 44   | 539976979 | 3   | NUT 3/8 NYLOC       |

# Park Brake Assembly

NEW STYLE BRAKE ARM



**NOTE:**

ITEM 16 PART NO. 539105978 REAR TIRE ASSEMBLY USED ON 52" MODELS. PART NO. 539105983 RIM ONLY. ALL OTHER COMPONENTS ARE THE SAME IN THE REAR TIRE ASSEMBLY SEE ITEM 16 ON NEXT PAGE FOR TIRE AND VALVE PART NO'S.

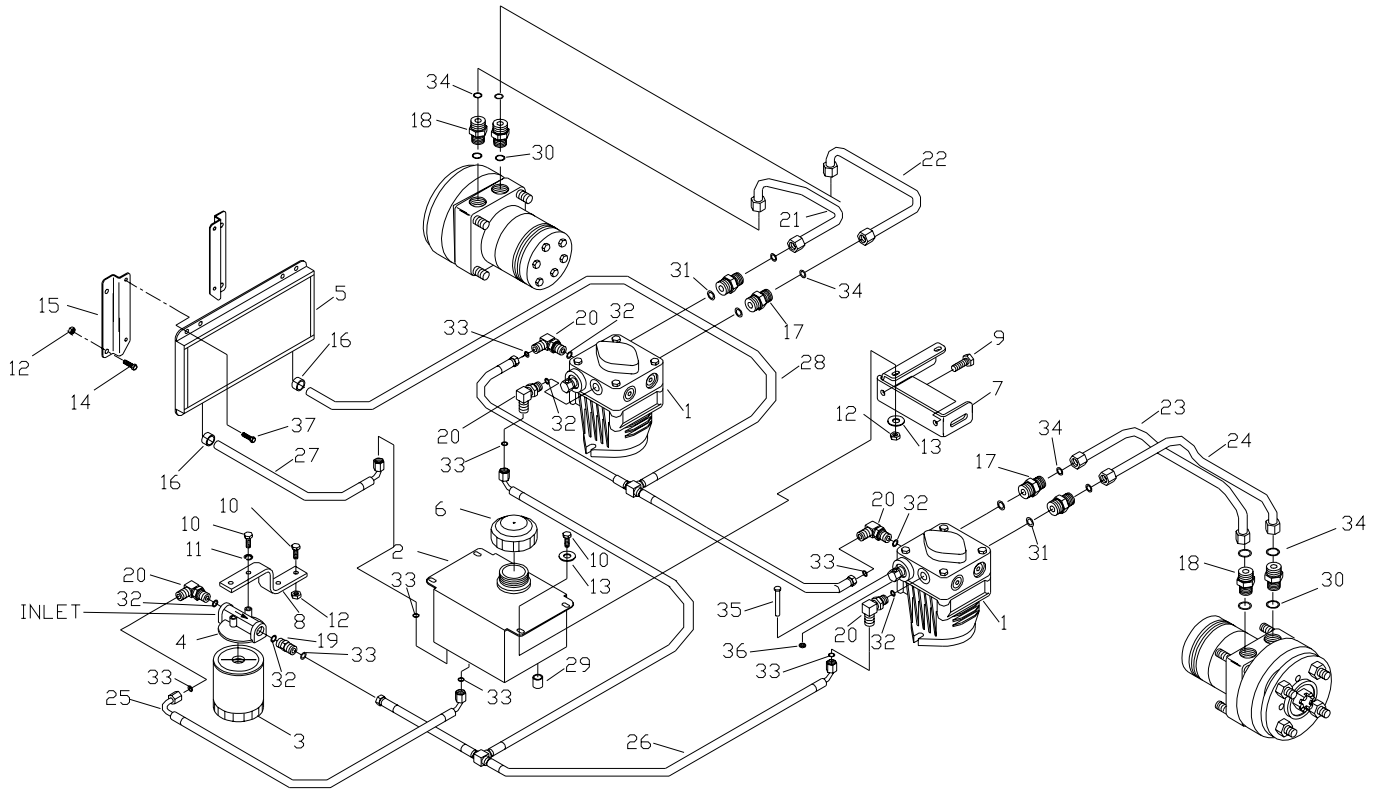
# Park Brake Assembly

| ITEM | PART NO.  | QTY. | DESCRIPTION              | ITEM | PART NO.  | QTY. | DESCRIPTION          |
|------|-----------|------|--------------------------|------|-----------|------|----------------------|
| 1    | 539990580 | 3    | HCS 1/4C X 3/4           | 25   | 539990546 | 2    | NUT 3/8C CTR. LOCK   |
| 2    | 539990052 | 1    | 1/4 LOCK WASHER          |      | 539106791 | 2    | HCS 3/8 X 1.0 GD 8 - |
| 3    | 539102843 | 4    | WASHER 7/16 SPRING       |      |           |      | AFTER 03/2002        |
| 4    | 539990598 | 1    | 1/4 FLAT WASHER          | 26   | 539990365 | 8    | COTTER PIN           |
| 5    | 539103576 | 1    | ARM, PARK BRAKE          | 27   | 539105303 | 1    | BRAKE LINKAGE LT.    |
|      | 539106523 | 1    | ARM, PARK BRAKE          |      | 539105302 | 1    | BRAKE LINKAGE RT.    |
|      |           |      | (NEW STYLE)              | 28   | 539104984 | 2    | HCS 3/8F SPECIAL     |
| 6    | 539102519 | 2    | BUSHING                  | 29   | 539105040 | 2    | BELLCRANK            |
| 7    | 539101331 | 8    | NUT 1/2C NYLOC           | 30   | 539105044 | 2    | BRONZE BEARING       |
| 8    | 539101332 | 8    | HCS 1/2C X 2.75          | 31   | 539102821 | 2    | TRUNION PIN          |
| 9    | 539104327 | 2    | MOTOR STANDOFF           | 32   | 539104986 | 2    | SPRING               |
| 10   | 539990622 | 8    | HCS 1/2C X 1.25          | 33   | 539990122 | 6    | 3/8 SAE WASHER       |
| 11   | 539104417 | 2    | WHEEL MOTOR              | 34   | 539990155 | 4    | NUT 3/8F             |
| 12   | 539105278 | 2    | WOODRUFF KEY             | 35   | 539977465 | 2    | YOKE                 |
| 13   | 539102415 | 2    | HUB W/ BRAKE DRUM        | 36   | 539977703 | 2    | 3/8 X 1.125          |
| 14   | 539990297 | 2    | COTTER PIN               | 37   | 539104351 | 1    | BRAKE LEVER WLDMT.   |
| 15   | 539105277 | 2    | CASTLE NUT               |      | 539106526 | 1    | BRAKE ARM WLDMT      |
| 16   | 539105486 | 2    | REAR TIRE ASM OFFSET RIM |      |           |      | (NEW STYLE)          |
|      |           |      | (61" & 72" MODELS)       | 38   | 539102519 | 2    | BUSHING              |
|      | 539105152 | 1    | TIRE                     | 39   | 539105036 | 1    | GRIP                 |
|      | 539105487 | 1    | RIM                      | 40   | 539990372 | 2    | 1/4C LOCK NUT        |
|      | 539912234 | 1    | AIR VALVE                | 41   | 539991050 | 2    | MACH. BUSHING 3/4    |
| 17   | 539101173 | 8    | LUG NUT 1/2F             | 42   | 539105029 | 1    | BRACKET              |
| 18   | 539102455 | 2    | 3/8 X 1.50 CLEVIS PIN    | 43   | 539104346 | 1    | LEFT BRAKE BKT.      |
| 19   | 539102822 | 2    | BRAKE BAND               |      | 539104347 | 1    | RIGHT BRAKE BKT.     |
| 20   | 539105070 | 2    | HCS 3/8C X 3 GD 8        | 44   | 539976998 | 2    | ZERK                 |
|      | 539106793 | 2    | SUPPORT BKT. -           | 45   | 539103547 | 2    | WASHER               |
|      |           |      | AFTER 03/2002            | 46   | 539102717 | 1    | SETSCRW. 5/16 X .625 |
| 21   | 539105043 | 2    | SPACER                   | 47   | 539106528 | 1    | KEY 1/4 X .875       |
|      | 539106794 | 2    | BAND PIVOT -             | 48   | 539990118 | 2    | WASHER 3/8 LOCK      |
|      |           |      | AFTER 03/2002            |      |           |      |                      |
| 22   | 539990258 | 8    | NUT 1/2C                 |      |           |      |                      |
| 23   | 539990254 | 8    | 1/2 LOCK WASHER          |      |           |      |                      |
| 24   | 539102454 | 4    | E - RING 3/4             |      |           |      |                      |

**NOTE:**

1. MACHINES MANUFACTURED AFTER 03 / 2002 HAVE THE PARTS SHOWN IN ITEMS 20, 21, 25, AND 48. ITEMS ARE MARKED AFTER 03/2002.
2. TORQUE ITEM 25 TO 46 FT. LBS.

# Hydraulic System Assembly

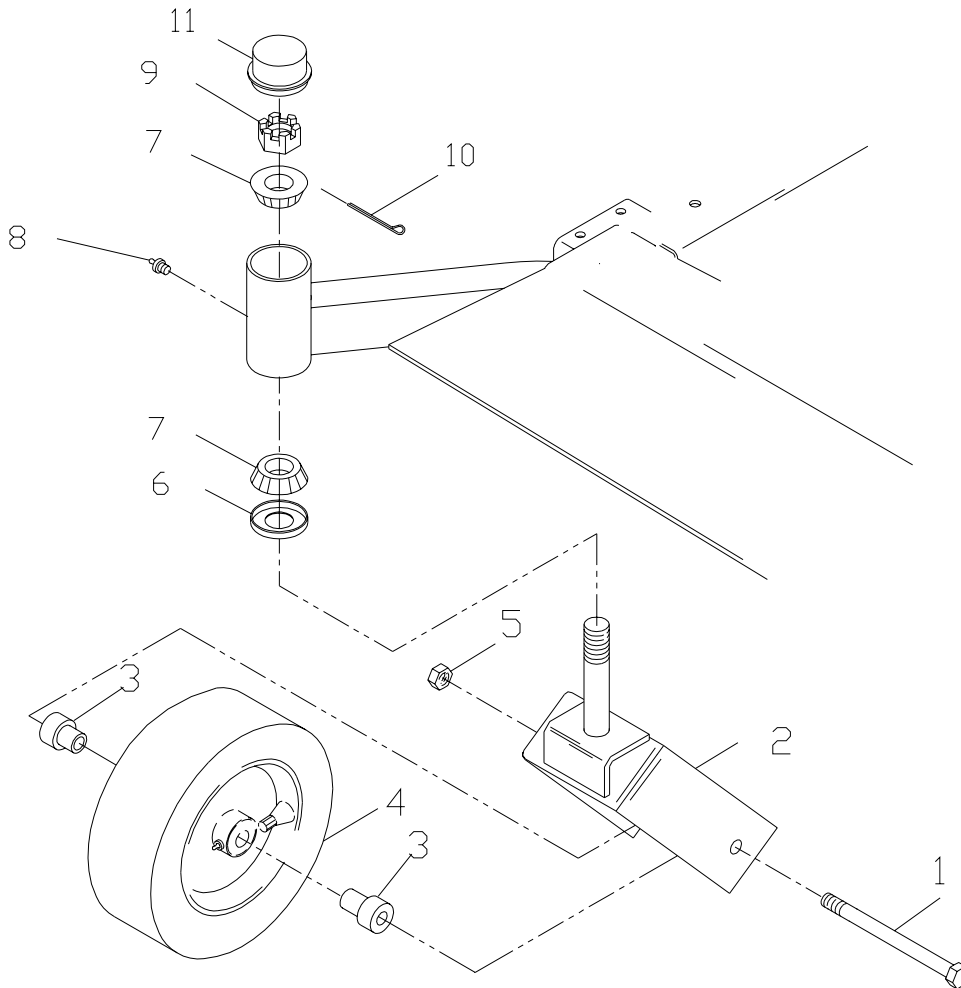




# Hydraulic System Assembly

| ITEM | PART NO.  | QTY. | DESCRIPTION        |
|------|-----------|------|--------------------|
| 1    | 539104529 | 2    | PUMP               |
| 2    | 539105024 | 1    | OIL TANK           |
| 3    | 539102606 | 1    | FILTER             |
| 4    | 539101165 | 1    | FILTER HEAD        |
| 5    | 539105167 | 1    | COOLER             |
| 6    | 539101202 | 1    | HYD. CAP           |
| 7    | 539105027 | 1    | TANK MOUNT LT.     |
|      | 539105026 | 1    | TANK MOUNT RT.     |
| 8    | 539105028 | 1    | FILTER BRACKET     |
| 9    | 539976934 | 4    | HCS 5/16 X 3/4     |
| 10   | 539990580 | 8    | HCS 1/4C X 3/4     |
| 11   | 539990052 | 2    | 1/4 LOCK WASHER    |
| 12   | 539990372 | 10   | 1/4 LOCK NUT       |
| 13   | 539990598 | 8    | 1/4 FLAT WASHER    |
| 14   | 539101313 | 4    | HCS 1/4C X 2.0     |
| 15   | 539105769 | 1    | COOLER BRACKET     |
|      | 539105767 | 1    | COOLER BRACKET     |
| 16   | 539976966 | 2    | HOSE CLAMP         |
| 17   | 539101237 | 4    | F6400-8-8-0        |
| 18   | 539102396 | 4    | STR. FITTING       |
| 19   | 539103316 | 1    | F6400-6-6-0        |
| 20   | 539101238 | 5    | F6801-6-6-0        |
| 21   | 539106067 | 1    | HYD. LINE          |
| 22   | 539106067 | 1    | HYD. LINE          |
| 23   | 539106067 | 1    | HYD. LINE          |
| 24   | 539106067 | 1    | HYD. LINE          |
| 25   | 539104722 | 1    | 7" TUBE            |
| 26   | 539104723 | 1    | "T" ASM            |
| 27   | 539104896 | 1    | HOSE               |
| 28   | 539105154 | 1    | "T" ASM            |
| 29   | 539105168 | 1    | CAP                |
| 30   | 539103115 | 4    | 3/4 "O" RING       |
| 31   | 539103116 | 4    | 1/2 "O" RING       |
| 32   | 539103117 | 6    | 3/8 "O" RING       |
| 33   | 539103118 | 8    | 3/8 "O" RING FLARE |
| 34   | 539103119 | 8    | 3/8 "O" RING FLARE |
| 35   | 539102233 | 2    | CLEVIS PIN         |
| 36   | 539102234 | 2    | PUSH NUT           |
| 37   | 539105532 | 4    | HCS 1/4 SELF TAP   |

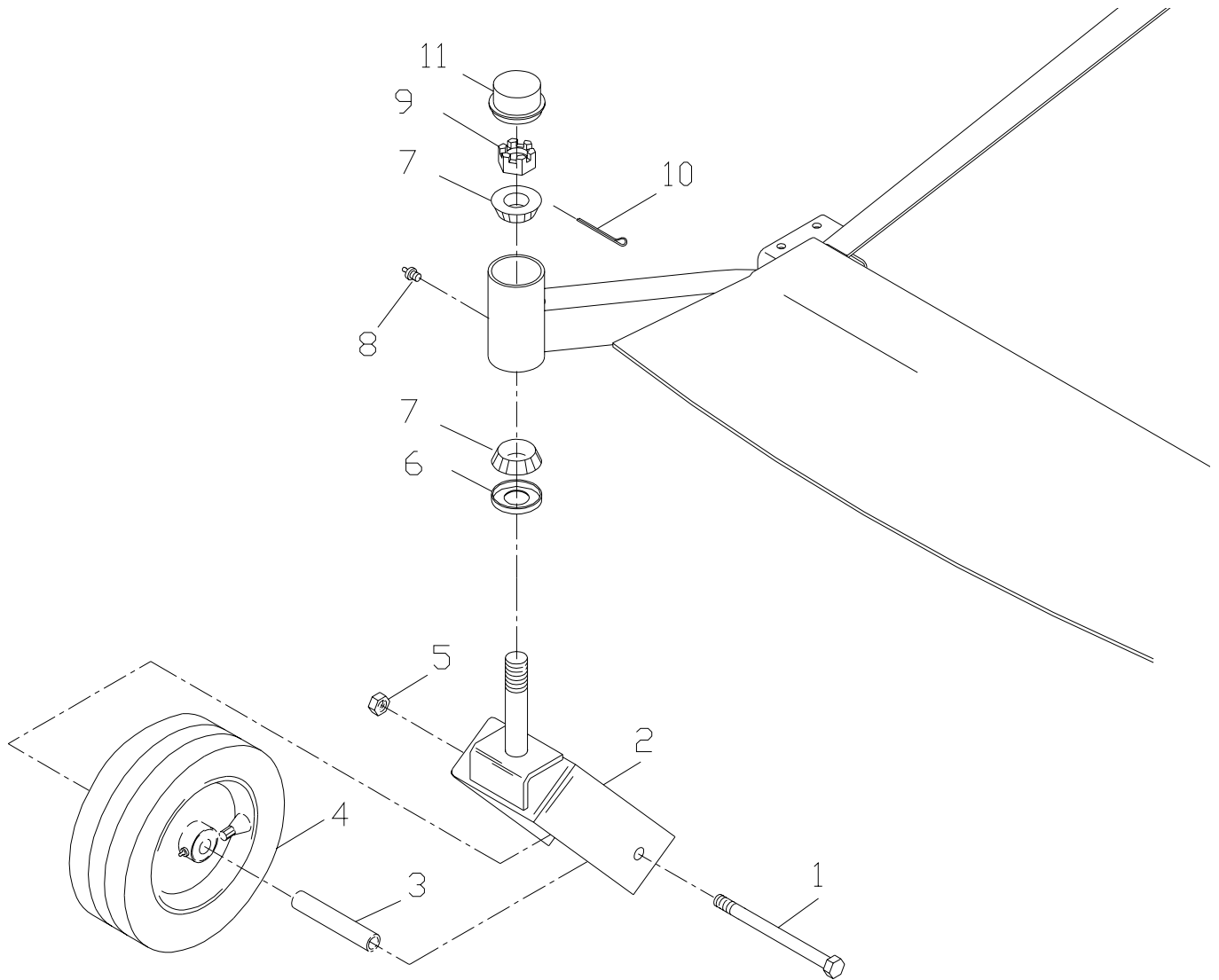
# Caster Assemblies



CASTER ASSEMBLY 539105895 includes items 1,2,3,4,5

| ITEM | PART NO.  | QTY. | DESCRIPTION        |
|------|-----------|------|--------------------|
| 1    | 539105517 | 1    | HCS 1/2 X 9.5      |
| 2    | 539105982 | 1    | CASTER YOKE        |
| 3    | 539105518 | 2    | AXLE SPACER        |
| 4    | 539105521 | 1    | TIRE ASM.          |
|      | 539105522 | 1    | TIRE               |
|      | 539105523 | 1    | RIM                |
|      | 539105524 | 2    | SEAL               |
|      | 539105525 | 2    | TAPERED BEARING    |
|      | 539912234 | 1    | AIR VALVE          |
| 5    | 539101331 | 1    | NUT 1/2 NYLOC      |
| 6    | 539102851 | 1    | SEAL               |
| 7    | 539102626 | 2    | BEARING W/CUP      |
| 8    | 539101474 | 1    | ZERK               |
| 9    | 539102889 | 1    | NUT 1.0 CASTLE     |
| 10   | 539102852 | 1    | COTTER PIN 1/8 X 2 |
| 11   | 539102535 | 1    | GREASE CAP         |

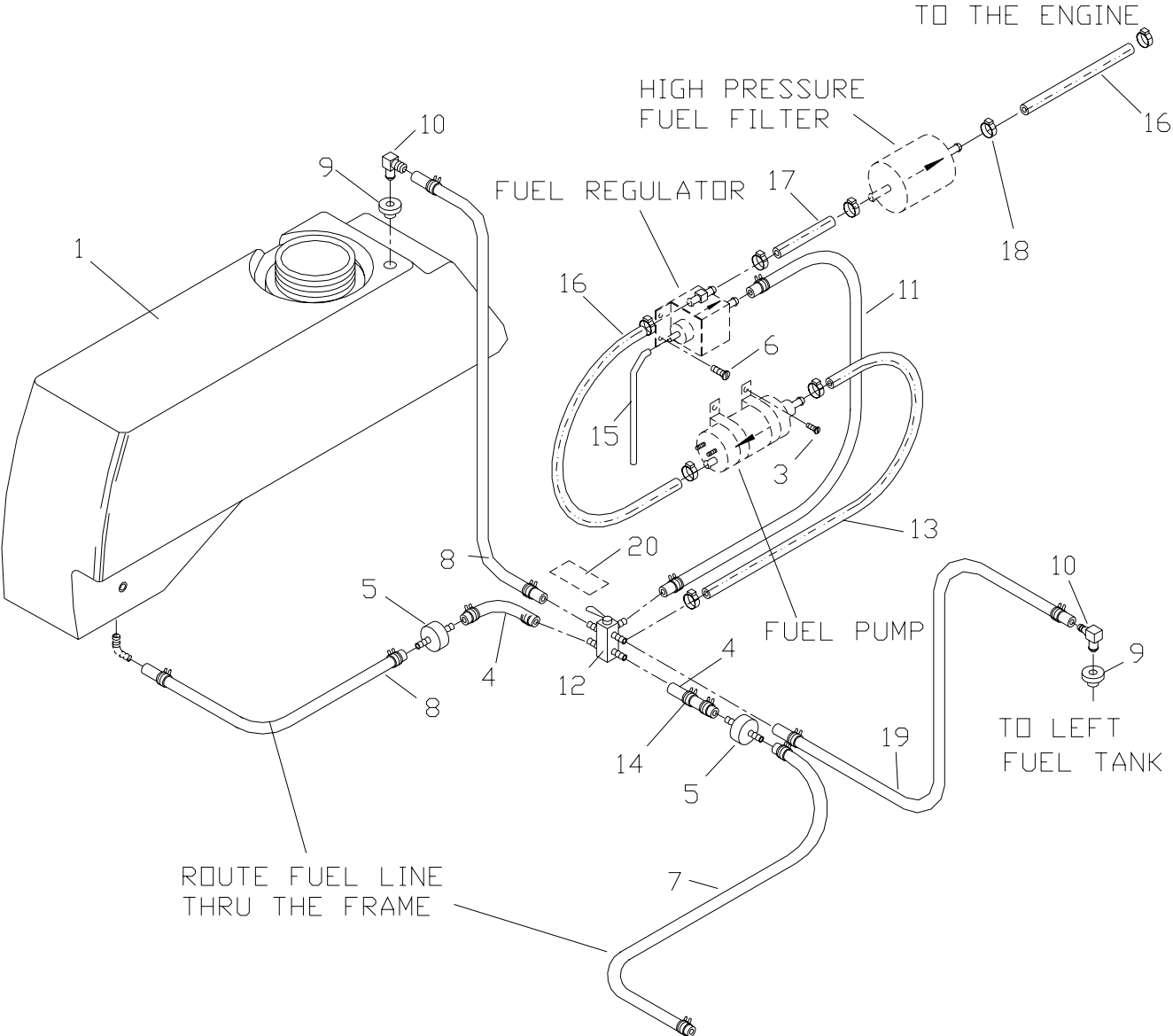
# Caster Assemblies



CASTER ASSEMBLY 539104743 includes items 1,2,3,4,5

| ITEM | PART NO.  | QTY. | DESCRIPTION        |
|------|-----------|------|--------------------|
| 1    | 539102855 | 1    | HCS 1/2 X 7.5      |
| 2    | 539104571 | 1    | CASTER YOKE        |
| 3    | 539102856 | 1    | AXLE SPACER        |
| 4    | 539104572 | 1    | TIRE ASM.          |
|      | 539102546 | 1    | TIRE               |
|      | 539104573 | 1    | RIM                |
|      | 539102485 | 2    | ROLLER BEARING     |
|      | 539102484 | 2    | END CAPS           |
|      | 539912234 | 1    | AIR VALVE          |
| 5    | 539101331 | 1    | NUT 1/2 NYLOC      |
| 6    | 539102851 | 1    | SEAL               |
| 7    | 539102626 | 2    | BEARING W/CUP      |
| 8    | 539101474 | 1    | ZERK               |
| 9    | 539102889 | 1    | NUT 1.0 CASTLE     |
| 10   | 539102852 | 1    | COTTER PIN 1/8 X 2 |
| 11   | 539102535 | 1    | GREASE CAP         |

# EFI Fuel Assembly



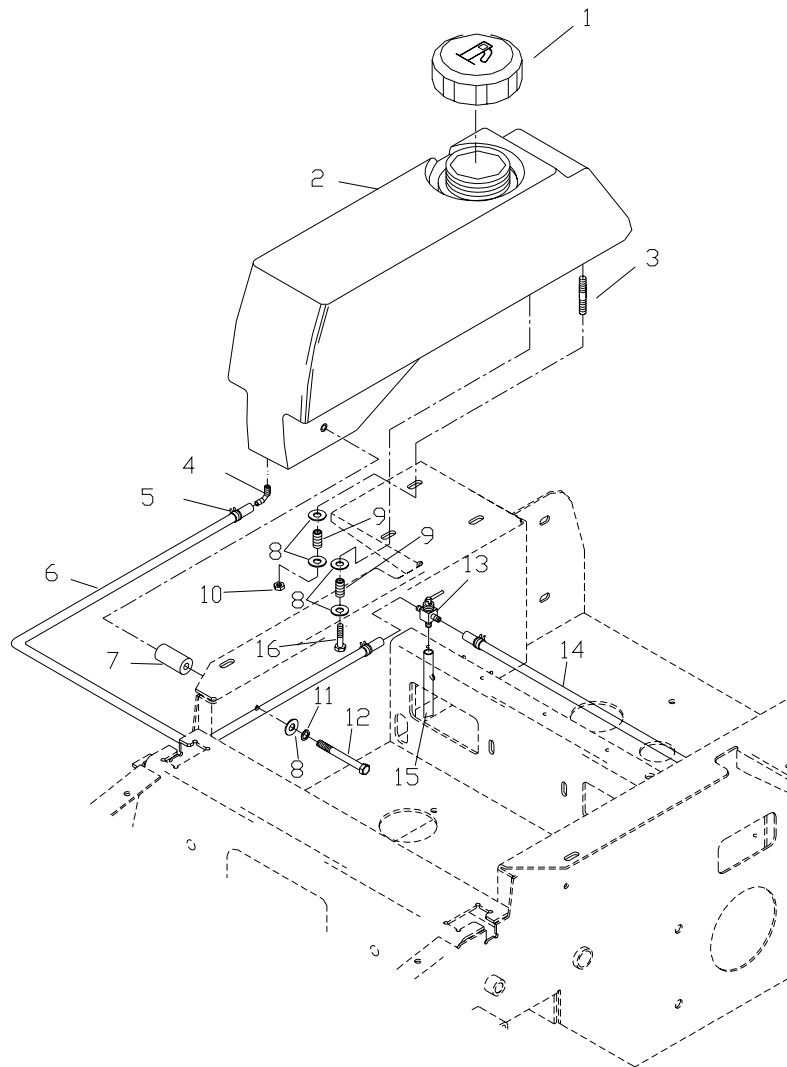
# EFI Fuel Assembly

| ITEM | PART NO.  | QTY. | DESCRIPTION          |
|------|-----------|------|----------------------|
| 1    | 539105330 | 1    | FUEL TANK RT.        |
| 2    | 539105329 | 1    | FUEL TANK LT.        |
| 3    | 539991034 | 4    | SCREW SELF TAP       |
| 4    | 539977351 | 2    | FUEL LINE            |
| 5    | 539914359 | 2    | FILTER               |
| 6    | 539105532 | 4    | HCS 1/4 SELF TAP     |
| 7    | 539105531 | 1    | FUEL LINE            |
| 8    | 539105526 | 2    | FUEL LINE            |
| 9    | 539105245 | 2    | RUBBER GROMMET       |
| 10   | 539105244 | 2    | ELBOW                |
| 11   | 539105527 | 1    | FUEL LINE            |
| 12   | 539105331 | 1    | FUEL VALVE           |
| 13   | 539105398 | 1    | EFI HOSE             |
| 14   | 539912222 | 14   | HOSE CLAMP           |
| 15   | 539105411 | 1    | VENT HOSE            |
| 16   | 539105399 | 2    | EFI HOSE             |
| 17   | 539105400 | 1    | EFI HOSE             |
| 18   | 539105529 | 8    | CLAMP                |
| 19   | 539105530 | 1    | FUEL LINE            |
| 20   | 539105334 | 1    | DECAL                |
| 21   | 539104962 | 2    | FUEL CAP (NOT SHOWN) |

NOTE: Items 13, 16, and 17 are high pressure lines.

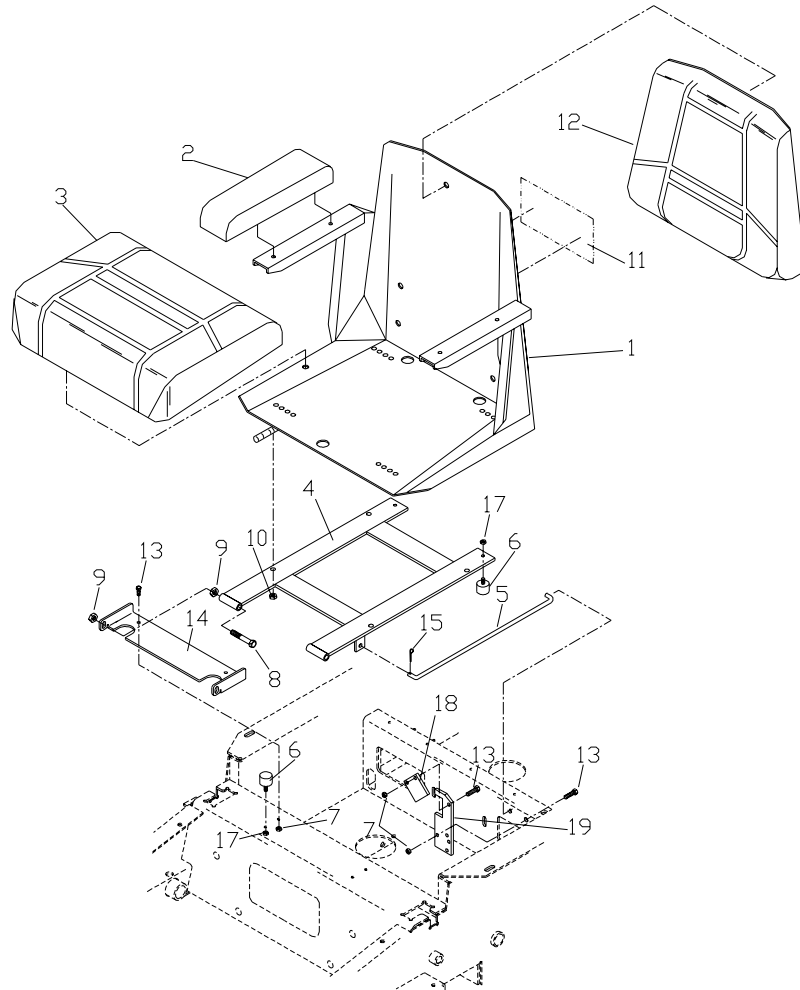
Refer to Kohler engine manual for information on the fuel regulator , fuel pump, and the high pressure fuel filter.

# Kawasaki and Kohler Fuel Assembly



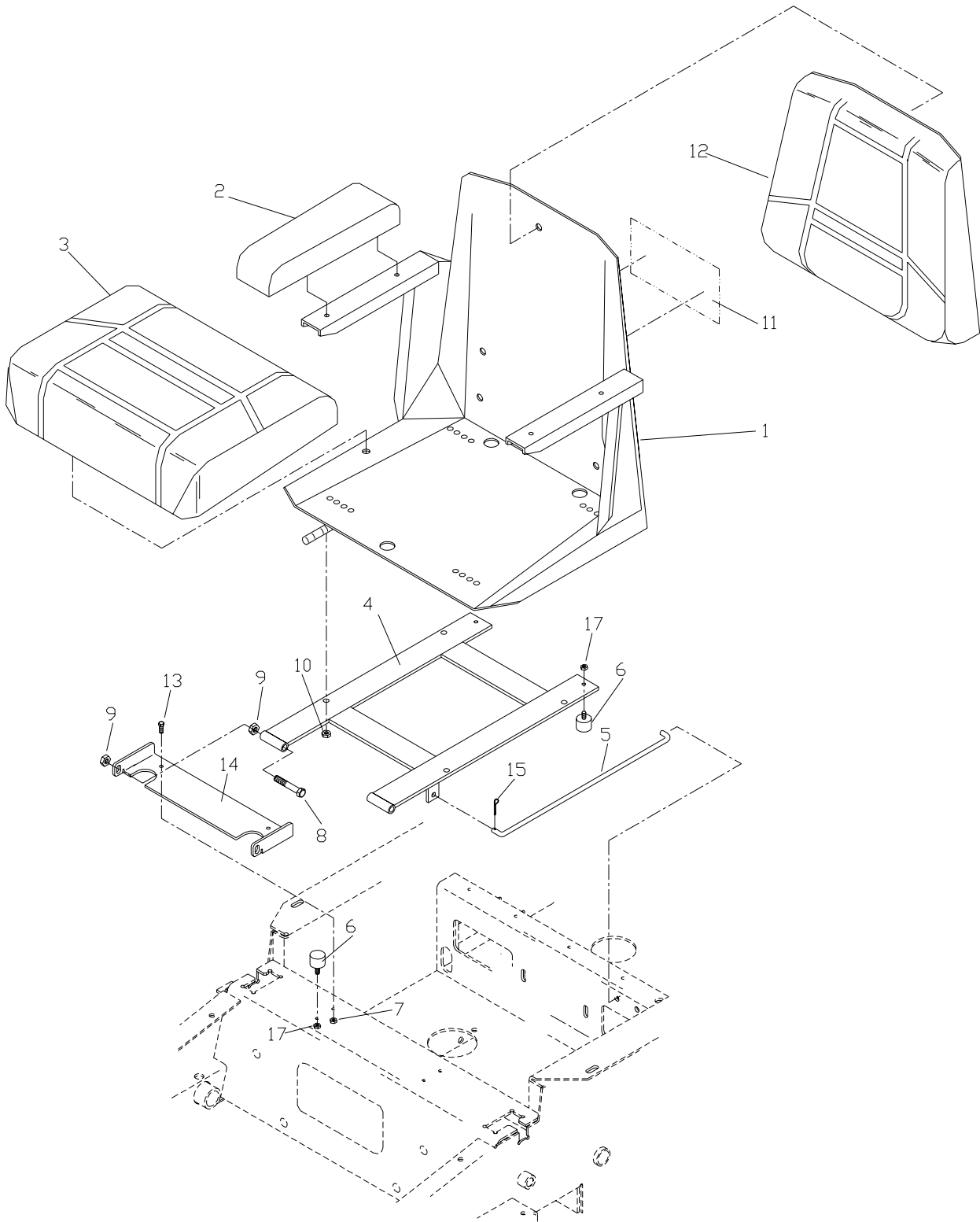
| ITEM | PART NO.  | QTY. | DESCRIPTION        |
|------|-----------|------|--------------------|
| 1    | 539104962 | 2    | FUEL CAP           |
| 2    | 539104410 | 1    | FUEL TANK RT.      |
|      | 539104409 | 1    | FUEL TANK LT.      |
| 3    | 539102502 | 6    | STUD               |
| 4    | 539102650 | 2    | HOSE BARB          |
| 5    | 539912222 | 6    | HOSE CLAMP         |
| 6    | 539922091 | 1    | FUEL LINE          |
| 7    | 539104897 | 2    | TANK SPACER        |
| 8    | 539990692 | 18   | WASHER 5/16 FLAT   |
| 9    | 539102845 | 8    | SPRING             |
| 10   | 539990717 | 8    | NUT 5/16 NYLOC     |
| 11   | 539990187 | 2    | WASHER 5/16 LOCK   |
| 12   | 539102335 | 2    | HCS 5/16 X 4.0     |
| 13   | 539102679 | 1    | FUEL VALVE         |
| 14   | 539105280 | 1    | FUEL LINE          |
| 15   | 539105281 | 1    | FUEL LINE KAWASAKI |
|      | 539104980 | 1    | FUEL LINE KOHLER   |
| 16   | 539990209 | 2    | HCS 5/16 X 1.0     |

# Standard Seat Assembly



| ITEM | PART NO.  | QTY. | DESCRIPTION                |
|------|-----------|------|----------------------------|
| 1    | 539104584 | 1    | SEAT COMPLETE              |
| 2    | 539102844 | 2    | ARM REST CUSHIONS (1 PAIR) |
| 3    | 539102539 | 1    | SEAT CUSHION W/SWITCH      |
| 4    | 539105283 | 1    | SEAT MOUNT                 |
| 5    | 539104525 | 1    | SEAT ROD                   |
| 6    | 539105039 | 4    | STUD                       |
| 7    | 539990761 | 2    | NUT 1/4 LOCK               |
| 8    | 539101341 | 2    | HCS 3/8 X 3.0              |
| 9    | 539990546 | 4    | NUT 3/8 LOCK               |
| 10   | 539990717 | 4    | NUT 5/16 NYLOC             |
| 11   | 539104789 | 1    | DECAL, CROWN               |
| 12   | 539104565 | 1    | BACK CUSHION               |
| 13   | 539990580 | 5    | HCS 1/4 X 3/4              |
| 14   | 539105224 | 1    | SEAT BRACKET W/DECAL       |
| 15   | 539990365 | 1    | COTTER PIN                 |
| 16   | 539105544 | 1    | SEAT RAILS(NOT SHOWN)      |
| 17   | 539976978 | 4    | NUT 1/4 NYLOC              |
| 18   | 539102917 | 1    | SEAT LATCH                 |
| 19   | 539105962 | 1    | SEAT LATCH MOUNT           |
| 20   | 539102685 | 1    | LOOM CLIP (NOT SHOWN)      |
| 21   | 539105542 | 1    | SEAT SWITCH(NOT SHOWN)     |

# Suspension Seat Assembly

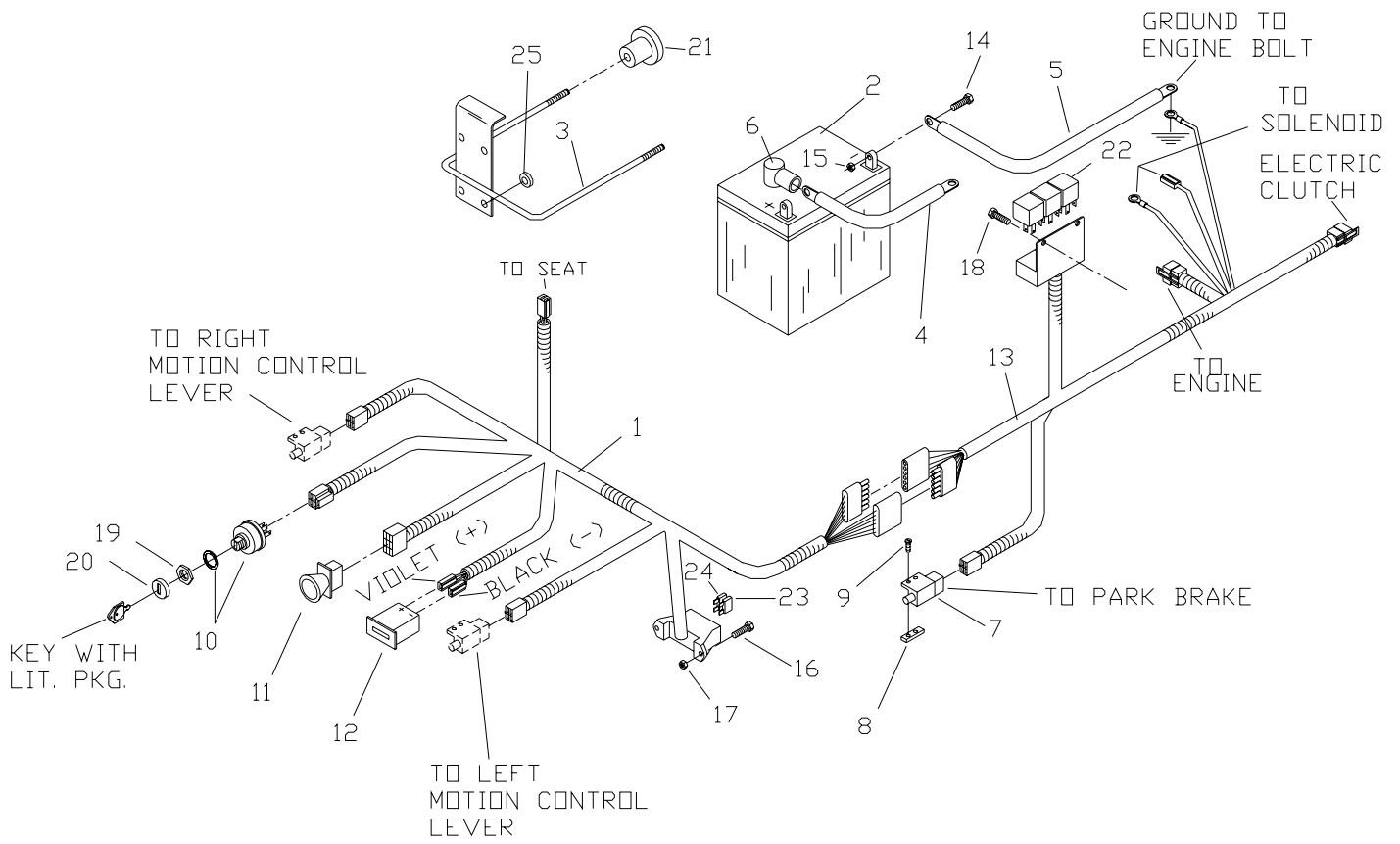




# Suspension Seat Assembly

| ITEM | PART NO.  | QTY. | DESCRIPTION                |
|------|-----------|------|----------------------------|
| 1    | 539105211 | 1    | SEAT COMPLETE              |
| 2    | 539105539 | 2    | ARM REST CUSHIONS (1 PAIR) |
| 3    | 539105541 | 1    | SEAT CUSHION               |
| 4    | 539105283 | 1    | SEAT MOUNT                 |
| 5    | 539104525 | 1    | SEAT ROD                   |
| 6    | 539105039 | 4    | STUD                       |
| 7    | 539990372 | 2    | NUT 1/4 LOCK               |
| 8    | 539101341 | 2    | HCS 3/8 X 3.0              |
| 9    | 539990546 | 4    | NUT 3/8 LOCK               |
| 10   | 539976975 | 4    | NUT 5/16 LOCK              |
| 11   | 539104789 | 1    | DECAL, CROWN               |
| 12   | 539105540 | 1    | BACK CUSHION               |
| 13   | 539990580 | 2    | HCS 1/4 X 3/4              |
| 14   | 539105224 | 1    | SEAT BRACKET W/DECAL       |
| 15   | 539990365 | 1    | COTTER PIN                 |
| 16   | 539105544 | 1    | SEAT RAILS                 |
| 17   | 539976978 | 4    | NUT 1/4 NYLOC              |
| 18   | 539105545 | 1    | SEAT HARNESS               |
| 19   | 539105542 | 1    | SEAT SWITCH                |
| 20   | 539102685 | 1    | LOOM CLIP (NOT SHOWN)      |

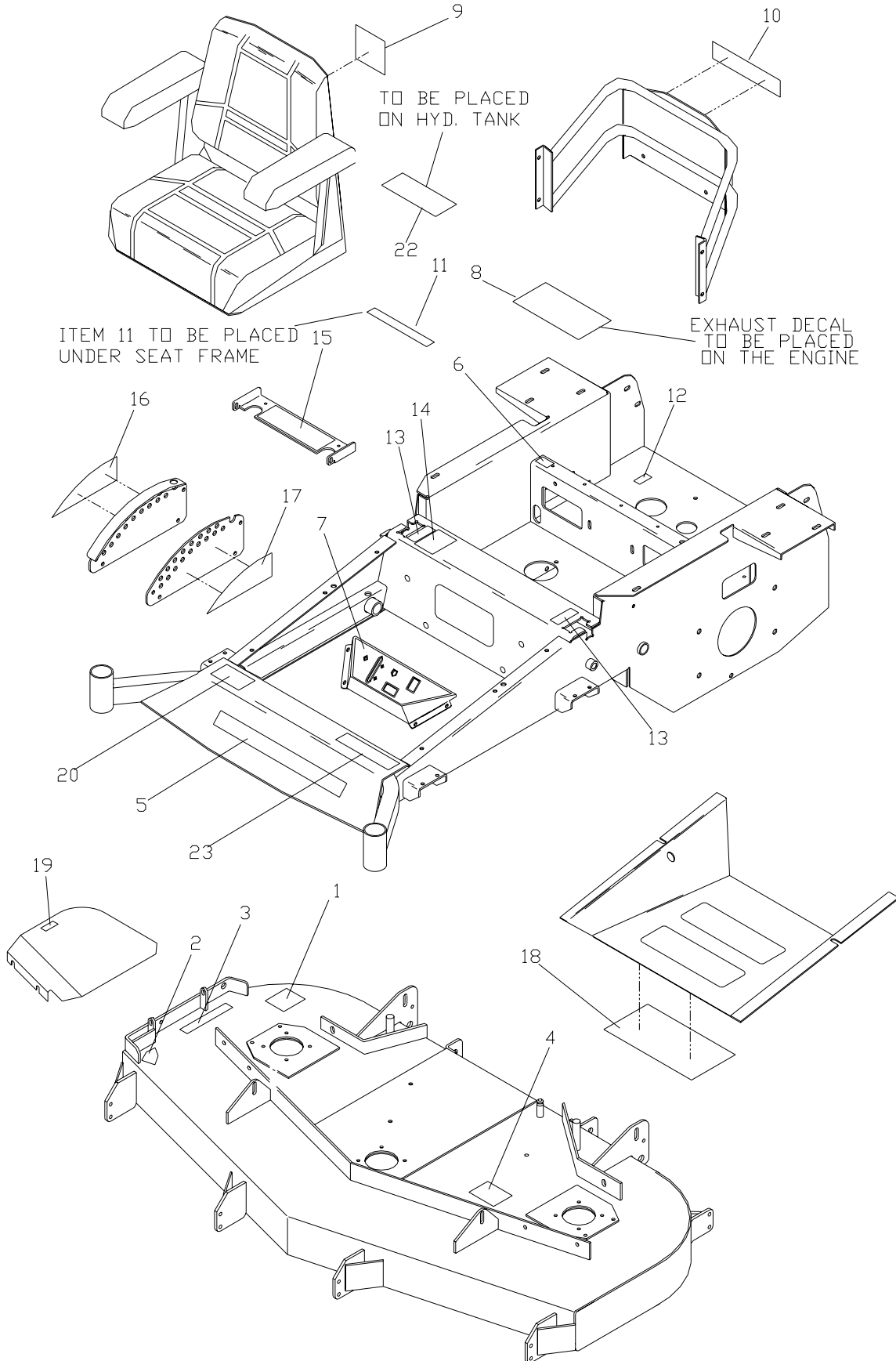
# Wiring Assembly



# Wiring Assembly

| ITEM | PART NO.  | QTY. | DESCRIPTION           |
|------|-----------|------|-----------------------|
| 1    | 539104414 | 1    | CONSOLE HARNESS       |
| 2    | 539102463 | 1    | 12V BATTERY           |
| 3    | 539105728 | 1    | BATTERY HOLD DOWN     |
| 4    | 539104974 | 1    | POSITIVE CABLE        |
| 5    | 539102758 | 1    | NEGITIVE CABLE        |
| 6    | 539102759 | 2    | INSULATOR             |
| 7    | 539101080 | 1    | INTERLOCK SWITCH      |
| 8    | 539102678 | 1    | TAPPED PLATE          |
| 9    | 539976952 | 2    | #10-24 X 5/8          |
| 10   | 539101770 | 1    | IGNITION SWITCH       |
| 11   | 539101768 | 1    | BLADE SWITCH          |
| 12   | 539102540 | 1    | HOUR METER            |
| 13   | 539104964 | 1    | FRAME HARNESS         |
| 14   | 539976934 | 2    | HCS 5/16C X 3/4       |
| 15   | 539990184 | 2    | NUT 5/16C CTR. LOCK   |
| 16   | 539102617 | 2    | #10-24 X 7/8 SCREW    |
| 17   | 539976977 | 2    | #10-24 HEX NYLOC NUT  |
| 18   | 539991034 | 2    | SELF TAPPING SCREW    |
| 19   | 539103177 | 1    | NUT IGN. SWITCH       |
| 20   | 539103178 | 1    | CAP, IGN. SWITCH      |
| 21   | 539105169 | 2    | KNOB                  |
| 22   | 539102914 | 3    | RELAY                 |
| 23   | 539101771 | 1    | 7.5 AMP 32V ATO FUSE  |
| 24   | 539102086 | 1    | 20.0 AMP 32V ATO FUSE |
| 25   | 539102587 | 4    | BUMPER                |

# Decal Assembly



# Decal Assembly

| ITEM | PART NO.  | QTY. | DESCRIPTION            |
|------|-----------|------|------------------------|
| 1    | 539105232 | 1    | DECAL, ANTI SCALP      |
| 2    | 539100344 | 1    | DECAL, DANGER          |
| 3    | 539105746 | 1    | DECAL, WARNING         |
| 4    | 539105012 | 1    | DECAL, BELT ROUTING    |
| 5    | 539104790 | 1    | DECAL, HUSQVARNA       |
| 6    | 539105334 | 1    | DECAL, FUEL VALVE      |
|      | 539102670 | 1    | DECAL, FUEL VALVE STD. |
| 7    | 539105010 | 1    | DECAL, CONSOLE         |
| 8    | 539100128 | 1    | DECAL, EXHAUST         |
| 9    | 539104789 | 1    | DECAL, CROWN           |
| 10   | 539104787 | 1    | DECAL, HUSQVARNA       |
| 11   | 539105745 | 1    | DECAL, BATTERY         |
| 12   | 539101881 | 1    | DECAL, PROP 65         |
| 13   | 539103333 | 2    | DECAL, MOTION CONTROL  |
| 14   | 539103328 | 1    | DECAL, THROWN OBJECTS  |
| 15   | 539105785 | 1    | DECAL, WARNING         |
| 16   | 539104898 | 1    | DECAL, HEIGHT          |
| 17   | 539104899 | 1    | DECAL, HEIGHT          |
| 18   | 539105011 | 1    | DECAL, SERVICE         |
| 19   | 539105743 | 2    | DECAL, NO STEP         |
| 20   | 539105071 | 1    | DECAL, NASCAR          |
| 21   | 539106056 | 2    | DECAL, 7226 EFI        |
|      | 539105051 | 2    | DECAL, 5221            |
|      | 539105052 | 2    | DECAL, 5223            |
|      | 539105053 | 2    | DECAL, 5223L           |
|      | 539105054 | 2    | DECAL, 5225            |
|      | 539105055 | 2    | DECAL, 6123L           |
|      | 539105056 | 2    | DECAL, 6125            |
|      | 539105548 | 2    | DECAL, 6126 EFI        |
| 22   | 539105301 | 1    | DECAL, MOBIL 1         |
| 23   | 539106061 | 1    | DECAL, XP SERIES       |
| 24   | 539105744 | 2    | DECAL, BELT DRIVES     |