

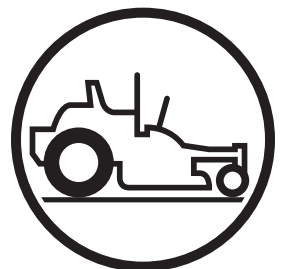
**NOTE!**  
**Not CE models**

Z4218 / 968999281  
Z4219 / 968999511  
Z4220 / 968999655  
Z4824BF / 968999517  
Z4219BF / 968999763

## Parts Manual

Z5426 / 968999508  
Z4824 / 968999512  
Z4619 / 968999656  
Z4220BF / 968999685  
Z4619BF / 968999764  
Z5426BF / 968999765

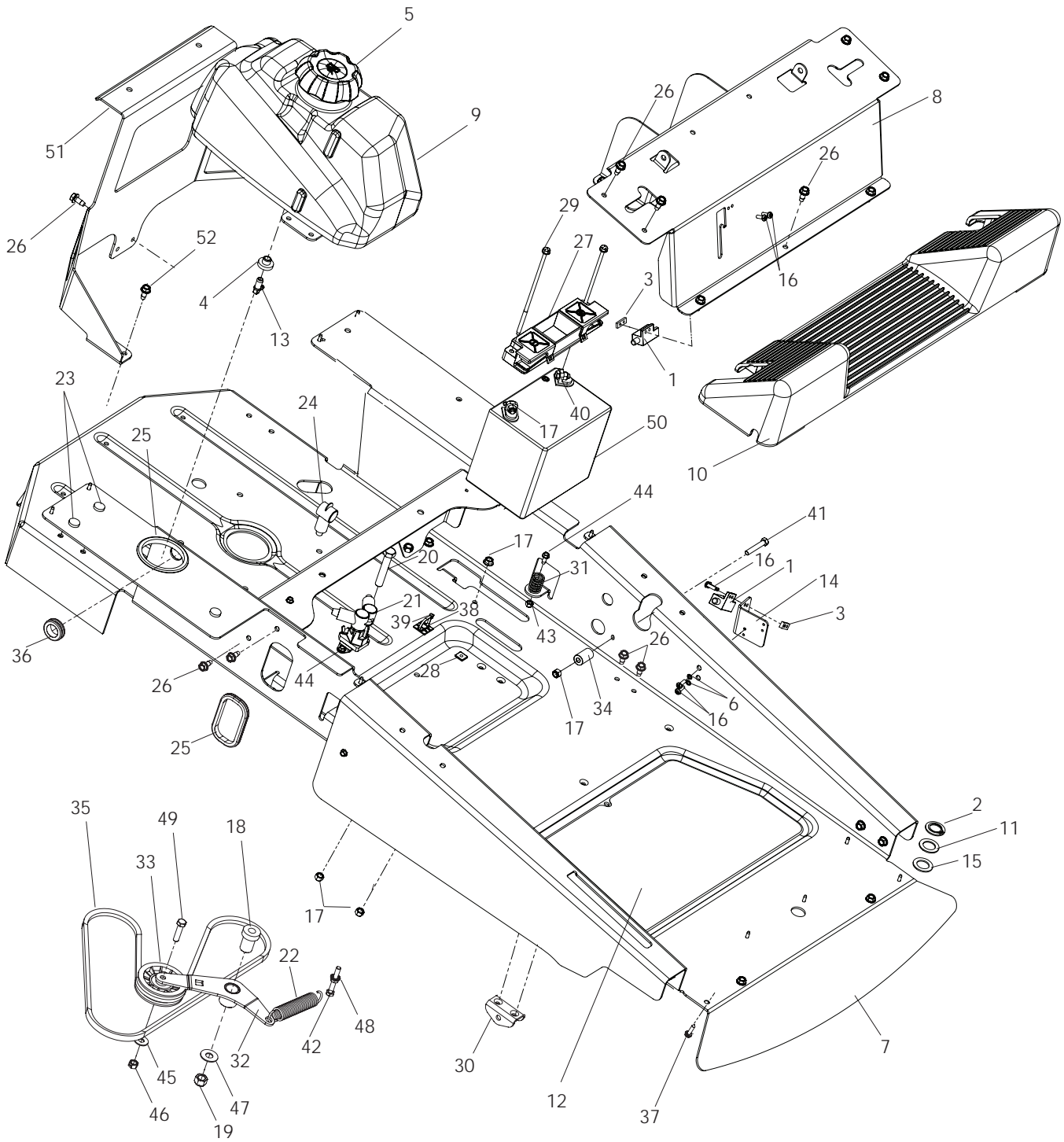
Please read the operator's manual carefully and make sure you understand the instructions before using the machine.



**English**

# CHASSIS / FRAME

For Units With Serial Number Before 0752xxxxx

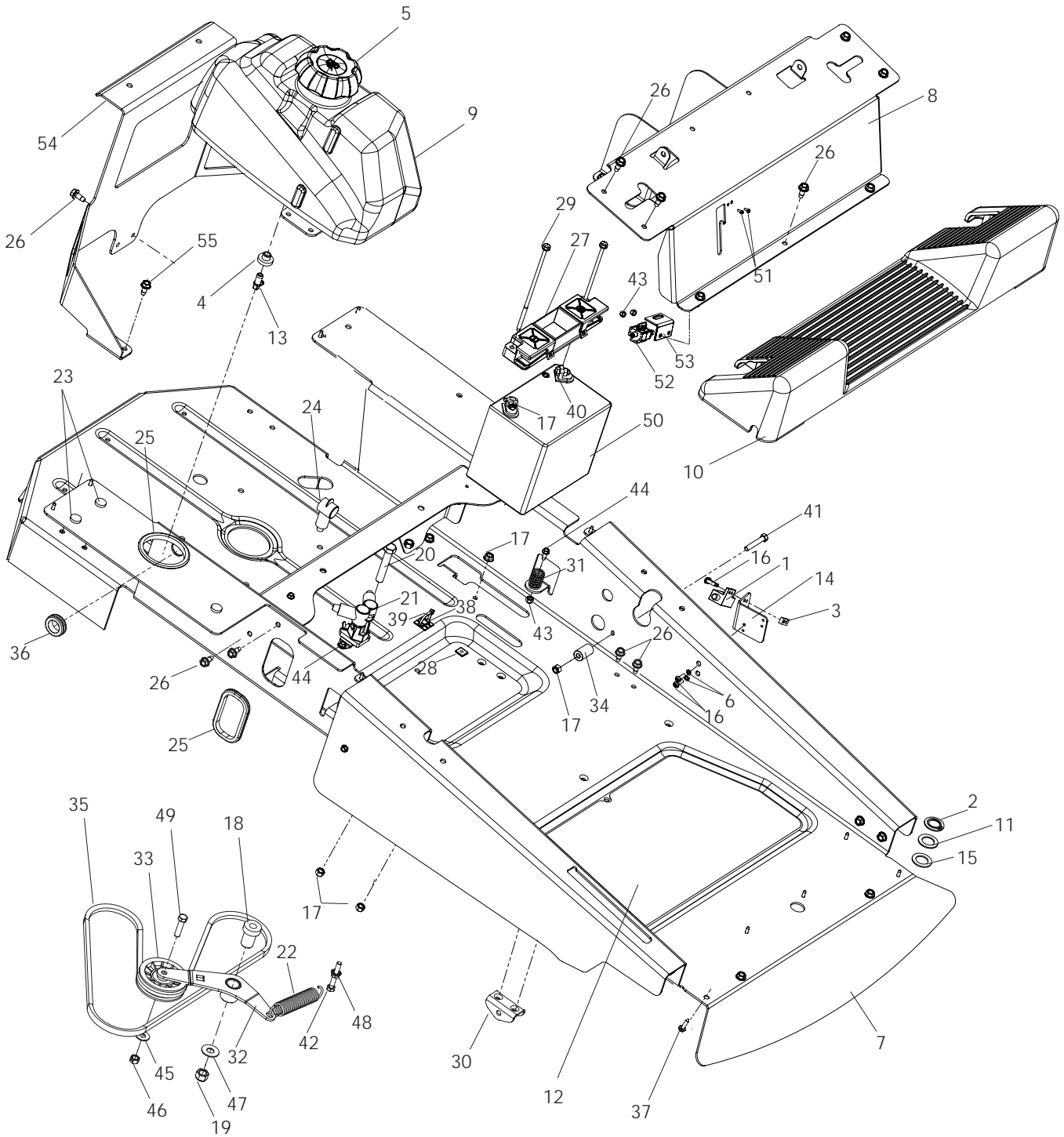


# CHASSIS / FRAME

| ITEM | PART NO.        | QTY. | DESCRIPTION               | ITEM      | PART NO.        | QTY. | DESCRIPTION   |                       |
|------|-----------------|------|---------------------------|-----------|-----------------|------|---|-----------------------|
| 1..  | 539 101080....3 | .... | SWITCH-INTERLOCK          | 29..      | 539 107632....2 | .... | BOLT, ¼ x 7½, SPEC  |                       |
| 2..  | 539 101151....2 | .... | RING-RETAINING EXT, 7/8   | 30..      | 539 110030....2 | .... | BRACKET, DECK HANGER<br>Not used on Model 968999508<br>or 968999765 |                       |
| 3..  | 539 102678....3 | .... | SCREW PLATE, #10-24       | 31..      | 539 110070....2 | .... | SPRING, RETURN  |                       |
| 4..  | 539 105245....1 | .... | GROMMET, RUBBER           | 32..      | 539 110219....1 | .... | PUMP IDLER ARM  |                       |
| 5..  | 539 106188....1 | .... | FUEL CAP, ANTISPLASH      | 33..      | 539 110311....1 | .... | PULLEY, IDLER   |                       |
| 6..  | 539 109552....4 | .... | LOCKWASHER, 3/16          | 34..      | 539 110312....2 | .... | MOTION LIMITER  |                       |
| 7..  | 539 110377....1 | .... | CHASSIS W/DECALS          | 35..      | 539 110411....1 | .... | BELT, EZT   |                       |
| 8..  | 539 133037....1 | .... | CONSOLE W/DECALS          | 36..      | 539 110433....1 | .... | GROMMET, FUEL LINE  |                       |
| 9..  | 539 110252....1 | .... | FUEL TANK                 | 37..      | 539 110674....6 | .... | SCRW, #10-12 x 1½ WSH HD  |                       |
| 10.. | 539 110284....1 | .... | FOOT REST                 | 38..      | 539 110863....2 | .... | MOUNTING BLOCK, TIE   |                       |
| 11.. | 539 110294....2 | .... | WASHER, 7/8, WAVE         | 39..      | 539 976856....2 | .... | TIE-PLASTIC   |                       |
| 12.. | 539 110310....1 | .... | SLIP, MATTING             | 40..      | 539 976934....2 | .... | HCS, 5/16-18 x ¾  |                       |
| 13.. | 539 110432....1 | .... | STEM, FUEL TANK           | 41..      | 539 976937....2 | .... | HCS, 5/16-18 x 2  |                       |
| 14.. | 539 110860....2 | .... | SWITCH BRACKET            | 42..      | 539 976938....1 | .... | HCS, 5/16-18 x 2¼   |                       |
| 15.. | 539 923787....4 | .... | BUSHING                   | 43..      | 539 976978....4 | .... | NUT, ¼-20, NYLOC  |                       |
| 16.. | 539 976952....6 | .... | SCREW, #10-24 x 5/8       | 44..      | 539 990362....8 | .... | SCREW, ¼-20 x 5/8 SELF TAP  |                       |
| 17.. | 539 990717.. 11 | .... | NUT, 5/16-18, NYLOC       | 45..      | 539 990517....3 | .... | WASHER, 3/8   |                       |
| 18.. | 539 101231....1 | .... | SPINDLE-IDLER             | 46..      | 539 990546....3 | .... | NUT, 3/8-16, CENTERLOCK   |                       |
| 19.. | 539 101331....1 | .... | NUT, ½-13, NYLOC          | 47..      | 539 990550....1 | .... | WASHER, ½   |                       |
| 20.. | 539 101332....1 | .... | HCS, ½-13 x 2¾            | 48..      | 539 990585....1 | .... | NUT, 5/16-18, WHIZLK  |                       |
| 21.. | 539 101714....1 | .... | SOLENOID                  | 49..      | 539 990655....1 | .... | HCS, 3/8-16 x 1½  |                       |
| 22.. | 539 101977....1 | .... | SPRING                    | 50..      | 539 102436....1 | .... | BATTERY, DRY  |                       |
| 23.. | 539 102587....3 | .... | GROMMET, BUMPER           | 51..      | 539 110495....1 | .... | REAR BRACKET, TOOL BOX<br>Model 968999281 only                      |                       |
| 24.. | 539 102759....3 | .... | INSULATOR-BATTERY         | 52..      | 539 990369....4 | .... | SCREW, 5/16-18 x 1 THD FRM  |                       |
| 25.. | 539 107116....2 | .... | GROMMET                   | NOT SHOWN |                 |      | 539 107616....1   | BATTERY CABLE, POS    |
| 26.. | 539 107475..33  | .... | BOLT, 5/16-18 x ¾ THD FRM |           |                 |      | 539 110068....1   | BATTERY CABLE, NEG    |
| 27.. | 539 107628....1 | .... | BATTERY HOLD DOWN         |           |                 |      | 539 110309....1   | WIRING HARNESS        |
| 28.. | 539 107629....2 | .... | NUT, ¼, PUSH NYLON        |           |                 |      | 539 110290....2   | FOAM STRIP, FUEL TANK |

# CHASSIS / FRAME

For Units with Serial Number After 0752XXXXX



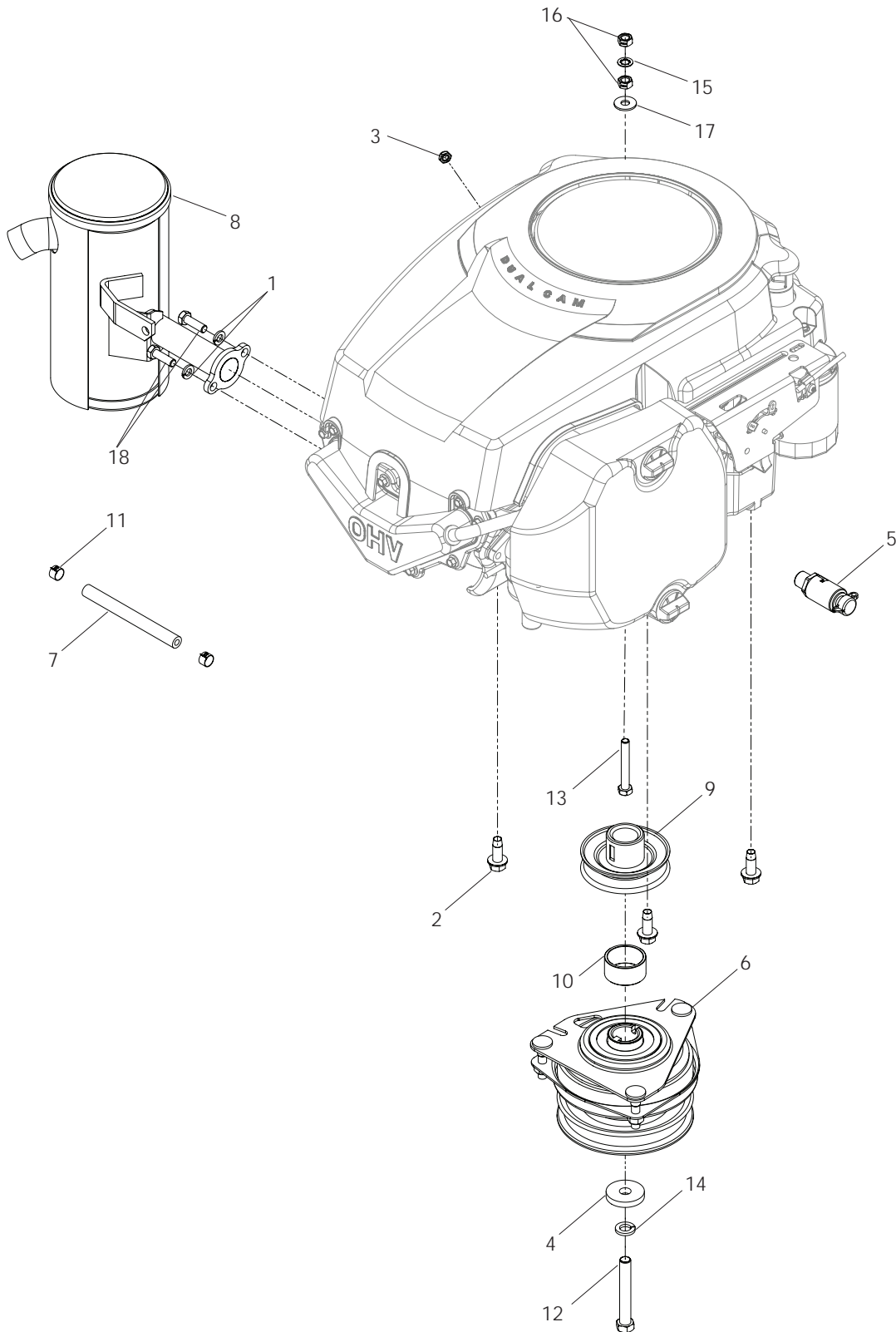
# CHASSIS / FRAME

---

| ITEM | PART NO.        | QTY. | DESCRIPTION  | ITEM           | PART NO.        | QTY.                       | DESCRIPTION   |
|------|-----------------|------|--|----------------|-----------------|----------------------------|---|
| 1..  | 539 101080....  | 2    | .... SWITCH-INTERLOCK  | 31..           | 539 110070....  | 2                          | .... SPRING, RETURN                                 |
| 2..  | 539 101151....  | 2    | .... RING-RETAINING EXT, 7/8   | 32..           | 539 110219....  | 1                          | .... PUMP IDLER ARM                                 |
| 3..  | 539 102678....  | 2    | .... SCREW PLATE, #10-24   | 33..           | 539 110311 .... | 1                          | .... PULLEY, IDLER                                  |
| 4..  | 539 105245....  | 1    | .... GROMMET, RUBBER   | 34..           | 539 110312....  | 2                          | .... MOTION LIMITER                                 |
| 5..  | 539 106188....  | 1    | .... FUEL CAP, ANTISPLASH  | 35..           | 539 110411 .... | 1                          | .... BELT, EZT                                      |
| 6..  | 539 109552....  | 4    | .... LOCKWASHER, 3/16  | 36..           | 539 110433....  | 1                          | .... GROMMET, FUEL LINE                             |
| 7..  | 539 110377 .... | 1    | .... CHASSIS W/DECALS  | 37..           | 539 110674....  | 6                          | .... SCRW, #10-12 x 1 1/2 WSH HD                    |
| 8..  | 539 110378....  | 1    | .... CONSOLE W/DECALS  | 38..           | 539 110863....  | 2                          | .... MOUNTING BLOCK, TIE                            |
| 9..  | 539 110252....  | 1    | .... FUEL TANK   | 39..           | 539 976856....  | 2                          | .... TIE-PLASTIC                                    |
| 10.. | 539 110284....  | 1    | .... FOOT REST   | 40..           | 539 976934....  | 2                          | .... HCS, 5/16-18 x 3/4                             |
| 11.. | 539 110294....  | 2    | .... WASHER, 7/8, WAVE   | 41..           | 539 976937....  | 2                          | .... HCS, 5/16-18 x 2                               |
| 12.. | 539 110310....  | 1    | .... SLIP, MATTING   | 42..           | 539 976938....  | 1                          | .... HCS, 5/16-18 x 2 1/4                           |
| 13.. | 539 110432....  | 1    | .... STEM, FUEL TANK   | 43..           | 539 976978....  | 6                          | .... NUT, 1/4-20, NYLOC                             |
| 14.. | 539 110860....  | 2    | .... SWITCH BRACKET  | 44..           | 539 990362....  | 8                          | .... SCREW, 1/4-20 x 5/8 SELF TAP                   |
| 15.. | 539 923787....  | 4    | .... BUSHING   | 45..           | 539 990517....  | 3                          | .... WASHER, 3/8                                    |
| 16.. | 539 976952....  | 4    | .... SCREW, #10-24 x 5/8   | 46..           | 539 990546....  | 3                          | .... NUT, 3/8-16, CENTERLOCK                        |
| 17.. | 539 990717..    | 11   | .... NUT, 5/16-18, NYLOC   | 47..           | 539 990550....  | 1                          | .... WASHER, 1/2                                    |
| 18.. | 539 101231....  | 1    | .... SPINDLE-IDLER   | 48..           | 539 990585....  | 1                          | .... NUT, 5/16-18, WHIZLK                           |
| 19.. | 539 101331....  | 1    | .... NUT, 1/2-13, NYLOC  | 49..           | 539 990655....  | 1                          | .... HCS, 3/8-16 x 1 1/2                            |
| 20.. | 539 101332....  | 1    | .... HCS, 1/2-13 x 2 3/4   | 50..           | 539 102436....  | 1                          | .... BATTERY, DRY                                   |
| 21.. | 539 101714....  | 1    | .... SOLENOID  | 51..           | 539 990071....  | 2                          | .... HCS, 1/4 x 1/2                                 |
| 22.. | 539 101977....  | 1    | .... SPRING  | 52..           | 539 113792....  | 1                          | .... SWITCH, BRAKE                                  |
| 23.. | 539 102587....  | 3    | .... GROMMET, BUMPER   | 53..           | 539 114803....  | 1                          | .... BRACKET, SWITCH                                |
| 24.. | 539 102759....  | 3    | .... INSULATOR-BATTERY   | 54..           | 539 110495....  | 1                          | .... REAR BRACKET, TOOL BOX<br>Model 968999281 only |
| 25.. | 539 107116....  | 2    | .... GROMMET   | 55..           | 539 990369....  | 4                          | .... SCREW, 5/16-18 x 1 THD FRM                     |
| 26.. | 539 107475..    | 33   | .... BOLT, 5/16-18 x 3/4 THD FRM                                     |                |                 |                            | NOT SHOWN   |
| 27.. | 539 107628....  | 1    | .... BATTERY HOLD DOWN   | 539 107616.... | 1               | .... BATTERY CABLE, POS    |   |
| 28.. | 539 107629....  | 2    | .... NUT, 1/4, PUSH NYLON  | 539 110068.... | 1               | .... BATTERY CABLE, NEG    |   |
| 29.. | 539 107632....  | 2    | .... BOLT, 1/4 x 7 1/2, SPEC   | 539 114720.... | 1               | .... WIRING HARNESS        |   |
| 30.. | 539 110030....  | 2    | .... BRACKET, DECK HANGER<br>Not on Models 968999508 or<br>968999765 | 539 110290.... | 2               | .... FOAM STRIP, FUEL TANK |   |

# ENGINE

Kohler 18 HP



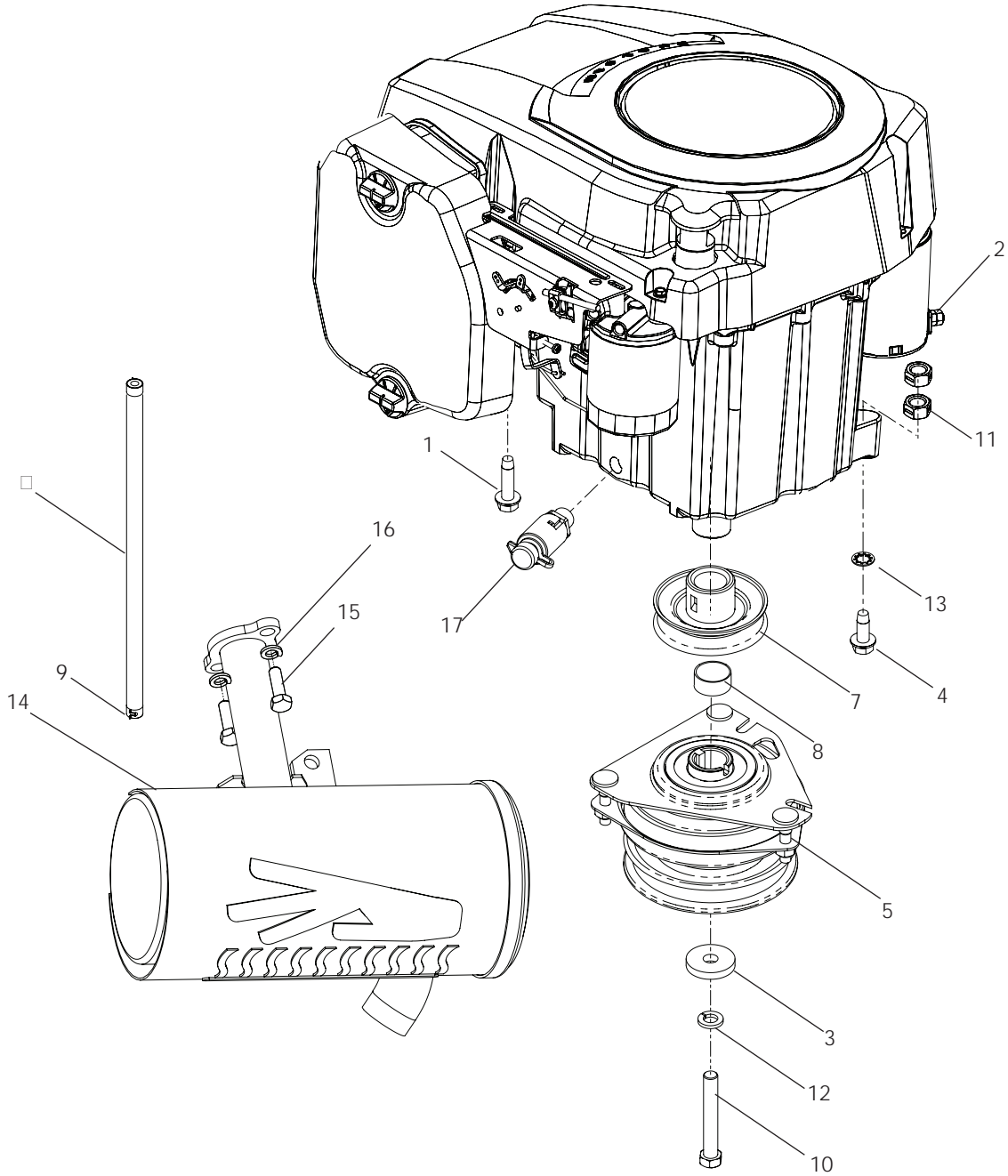
# ENGINE

---

| ITEM | PART NO.       | QTY. | DESCRIPTION                               | ITEM | PART NO.       | QTY. | DESCRIPTION                                   |
|------|----------------|------|---|------|----------------|------|---|
| 1..  | 539 990187.... | 2    | .... WASHER $\frac{5}{16}$ SLW            | 10.. | 539 114542.... | 1    | .... SPACER, ENGINE PULLEY                    |
| 2..  | 539 107476.... | 3    | .... BOLT, $\frac{3}{8}$ -16 x 1, THD FRM | 11.. | 539 912222.... | 2    | .... CLAMP, HOSE                              |
| 3..  | 539 108120.... | 1    | .... NUT, $\frac{1}{4}$ -20, THIN, NYLOC  | 12.. | 539 923388.... | 1    | .... HCS, $\frac{7}{16}$ -20 x 3              |
| 4..  | 539 110064.... | 1    | .... CLUTCH WASHER                        | 13.. | 539 976938.... | 1    | .... HCS $\frac{5}{16}$ -18 x 2 $\frac{1}{4}$ |
| 5..  | 539 110093.... | 1    | .... OIL DRAIN FITTING                    | 14.. | 539 990247.... | 1    | .... WASHER $\frac{7}{16}$ SLW                |
| 6..  | 539 110417.... | 1    | .... CLUTCH                               | 15.. | 539 108576.... | 1    | .... WASHER $\frac{5}{16}$ x $\frac{19}{32}$  |
| 7..  | 539 110425.... | 1    | .... FUEL LINE, 5"                        | 16.. | 539 990184.... | 2    | .... NUT $\frac{5}{16}$ -18 HEX CTRLK         |
| 8..  | 539 111902.... | 1    | .... MUFFLER                              | 17.. | 539 990692.... | 2    | .... WASHER, $\frac{5}{16}$ STD FLT           |
| 9..  | 539 114530.... | 1    | .... PULLEY, ENGINE                       | 18.. | 539 990209.... | 2    | .... HCS $\frac{5}{16}$ -18 x 1               |

# ENGINE

Kohler 20 HP





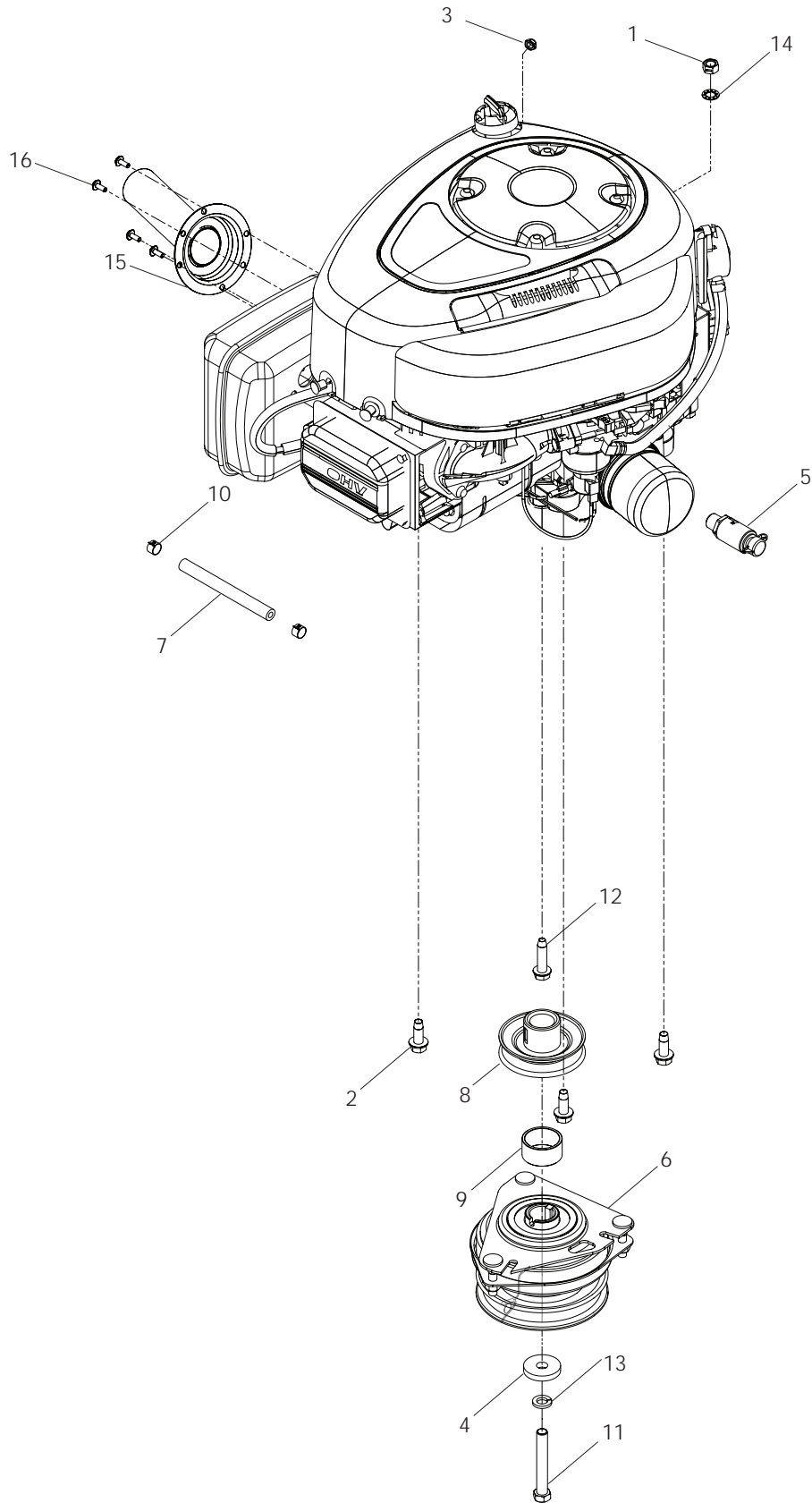
# ENGINE

---

| ITEM | PART NO.   | QTY. | DESCRIPTION                                | ITEM  | PART NO.   | QTY. | DESCRIPTION                         |
|------|------------|------|--|-------|------------|------|-------------------------------------|
| 1... | 539 107476 | 3... | BOLT, $\frac{3}{8}$ -16 x 1, THRD FORM     | 10... | 539 923388 | 1... | HCS, $\frac{7}{16}$ -20 x 3         |
| 2... | 539 108120 | 1... | NUT, $\frac{1}{4}$ -20, THIN, NYLOC        | 11... | 539 990184 | 2... | NUT, $\frac{5}{16}$ -18, CENTERLOCK |
| 3... | 539 110064 | 1... | CLUTCH WASHER                              | 12... | 539 990247 | 1... | LOCKWASHER, $\frac{7}{16}$          |
| 4... | 539 976938 | 1... | HCS $\frac{5}{16}$ -18 x $2\frac{1}{2}$ ZD | 13... | 539 990390 | 1... | WASHER, $\frac{3}{8}$               |
| 5... | 539 110417 | 1... | CLUTCH                                     | 14... | 539 111902 | 1... | MUFFLER                             |
| 6... | 539 110425 | 1... | FUEL LINE, 5"                              | 15... | 539 990209 | 2... | HCS, $\frac{5}{16}$ -18 X 1         |
| 7... | 539 114530 | 1... | PULLEY, ENGINE                             | 16... | 539 990187 | 2... | WASHER $\frac{5}{16}$ SLW ZD        |
| 8... | 539 114542 | 1... | SPACER, ENGINE PULLEY                      | 17... | 539 110093 | 1... | OIL DRAIN FITTING                   |
| 9... | 539 912222 | 2... | CLAMP, HOSE                                |       |            |      |                                     |

# ENGINE

Briggs & Stratton 16 HP



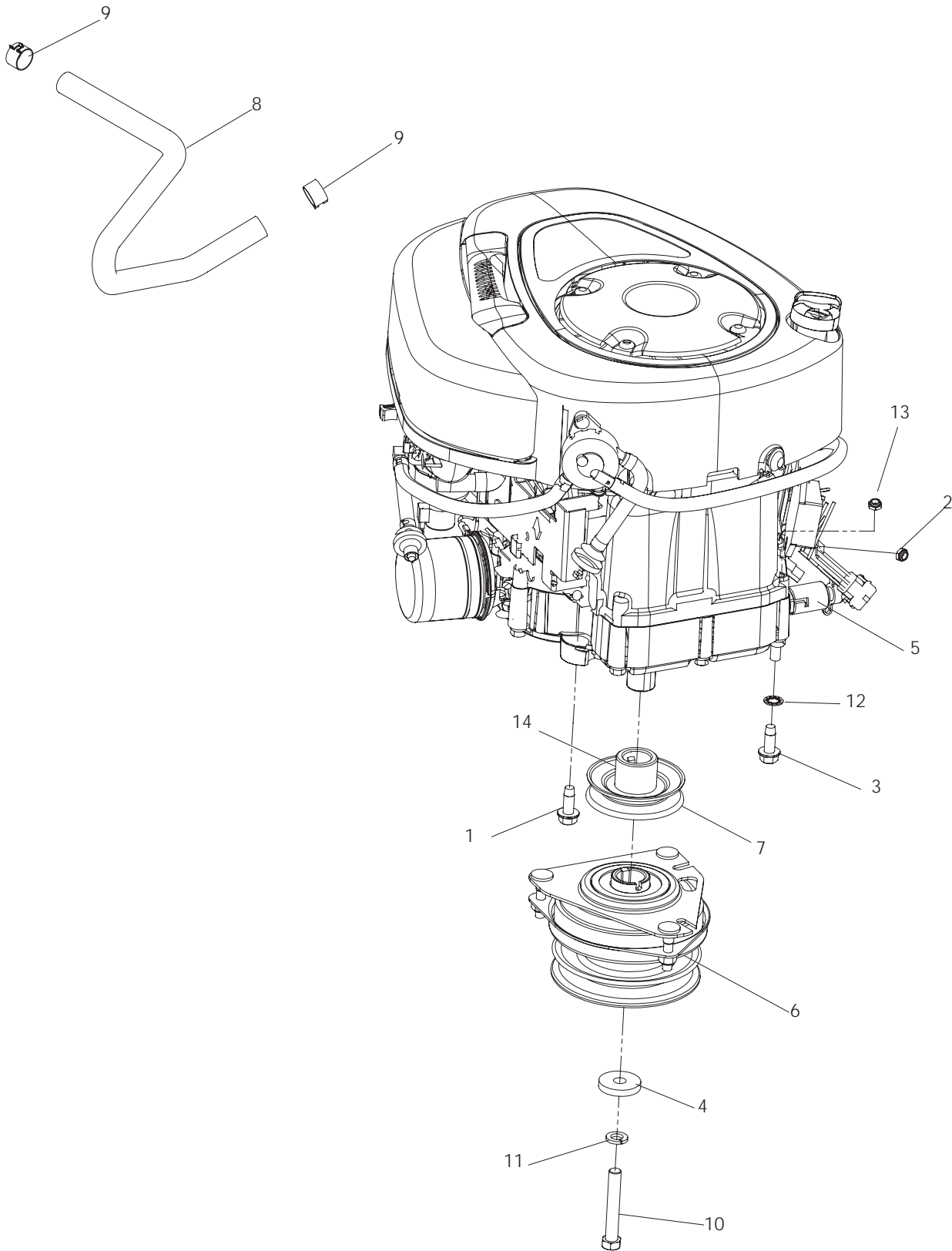
# ENGINE

---

| ITEM | PART NO.       | QTY. | DESCRIPTION                          | ITEM | PART NO.       | QTY. | DESCRIPTION                          |
|------|----------------|------|--------------------------------------|------|----------------|------|--------------------------------------|
| 1..  | 539 990546.... | 1    | NUT, $\frac{3}{8}$ -16 HEX CNTRLK    | 9..  | 539 114542.... | 1    | SPACER, ENGINE PULLEY                |
| 2..  | 539 107476.... | 3    | BOLT, $\frac{3}{8}$ -16 x 1, THD FRM | 10.. | 539 912222.... | 2    | CLAMP, HOSE                          |
| 3..  | 539 108120.... | 1    | NUT, $\frac{1}{4}$ -20, THIN, NYLOC  | 11.. | 539 923388.... | 1    | HCS, $\frac{7}{16}$ -20 x 3          |
| 4..  | 539 110064.... | 1    | CLUTCH WASHER                        | 12.. | 539 110025.... | 1    | BOLT $\frac{3}{8}$ -16 x 1.5 THD FRM |
| 5..  | 539 110093.... | 1    | OIL DRAIN FITTING                    | 13.. | 539 990247.... | 1    | WASHER $\frac{7}{16}$ SLW ZD         |
| 6..  | 539 110417.... | 1    | CLUTCH                               | 14.. | 539 990390.... | 1    | WASHER, $\frac{3}{8}$                |
| 7..  | 539 110425.... | 1    | FUEL LINE, 5"                        | 15.. | 539 121371.... | 1    | EXTENSION, MUFFLER                   |
| 8..  | 539 114530.... | 1    | PULLEY, ENGINE                       | 16.. | 539 115537.... | 4    | SCREW, #10 -16 x $\frac{1}{2}$       |

# ENGINE

Briggs & Stratton 19 HP



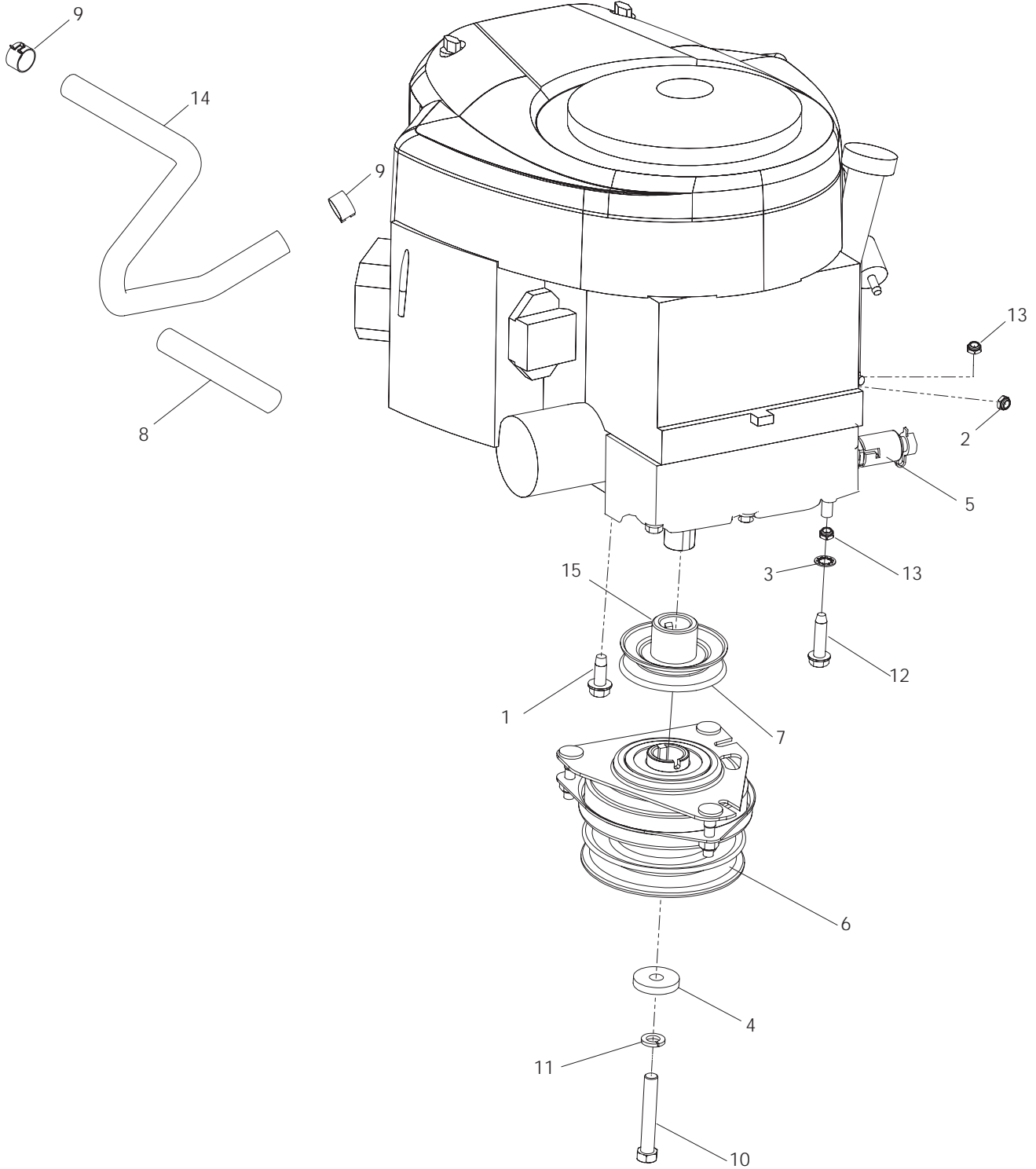
# ENGINE

---

| ITEM | PART NO.   | QTY. | DESCRIPTION  | ITEM  | PART NO.   | QTY. | DESCRIPTION                        |
|------|------------|------|--|-------|------------|------|------------------------------------|
| 1... | 539 107476 | 3... | BOLT, $\frac{3}{8}$ -16 x 1, THD FRM               | 8...  | 539 110425 | 1... | FUEL LINE, 5"                      |
| 2... | 539 108120 | 1... | NUT, $\frac{1}{4}$ -20, THIN, NYLOC                | 9...  | 539 912222 | 2... | CLAMP, HOSE                        |
| 3... | 539 110025 | 1... | BOLT, $\frac{3}{8}$ -16 x $1\frac{1}{2}$ , THD FRM | 10... | 539 923388 | 1... | HCS, $\frac{7}{16}$ -20 x 3        |
| 4... | 539 110064 | 1... | CLUTCH WASHER                                      | 11... | 539 990247 | 1... | WASHER, $\frac{7}{16}$             |
| 5... | 539 110093 | 1... | OIL DRAIN FITTING                                  | 12... | 539 990390 | 1... | WASHER, $\frac{3}{8}$ , ITLW       |
| 6... | 539 110417 | 1... | CLUTCH   | 13... | 539 990546 | 1... | NUT, $\frac{3}{8}$ -16, CENTERLOCK |
| 7... | 539 114530 | 1... | PULLEY   | 14... | 539 114542 | 1... | SPACER, PULLEY                     |
|      |            |      |  |       |            |      | NOT SHOWN                          |
|      |            |      |  |       |            |      | ... 539 111902 ... 1... MUFFLER    |

# ENGINE

Briggs & Stratton 24 & 26 HP

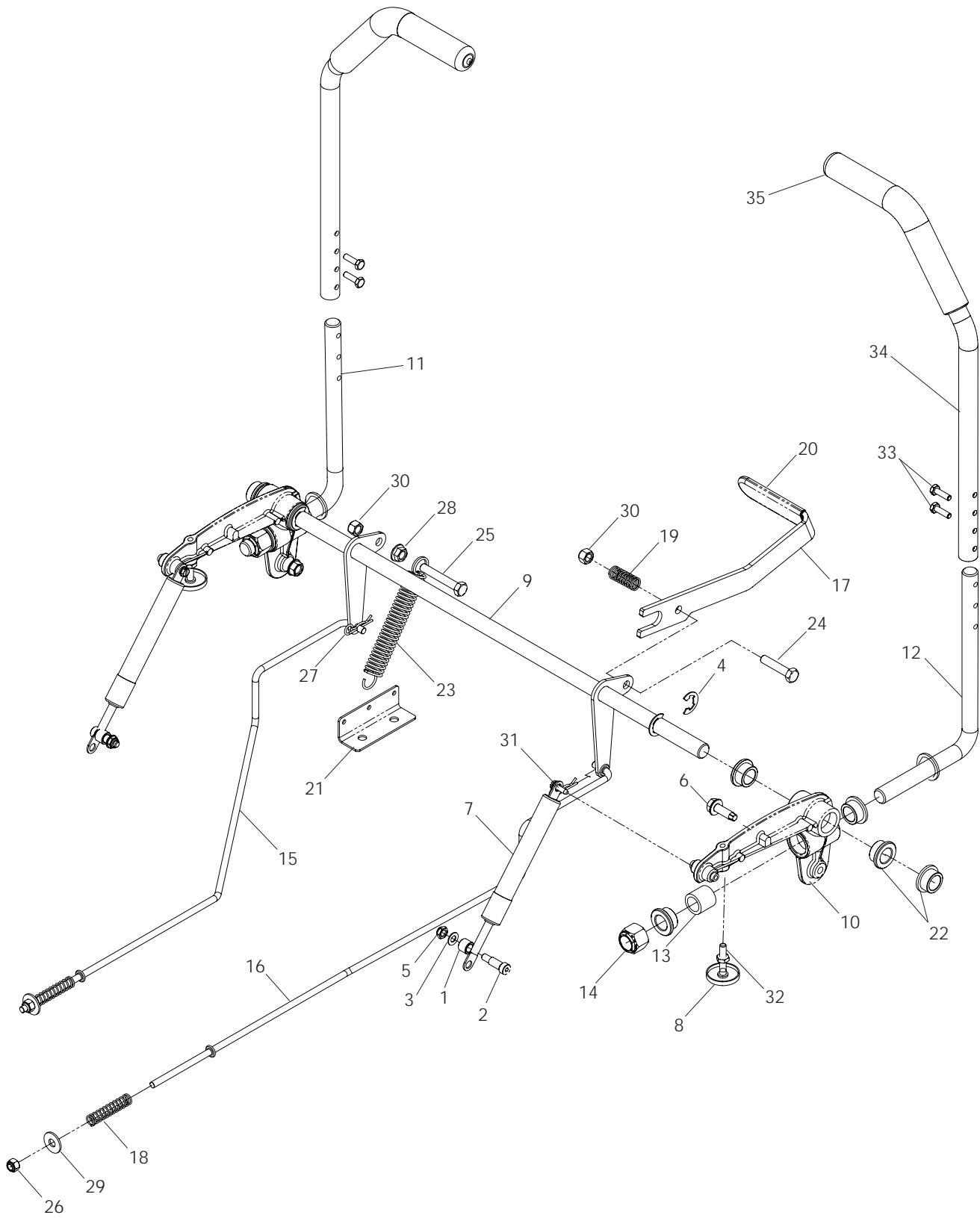


# ENGINE

---

| ITEM  | PART NO.   | QTY. | DESCRIPTION                           | ITEM  | PART NO.   | QTY. | DESCRIPTION                            |
|-------|------------|------|---------------------------------------|-------|------------|------|--|
| 1...  | 539 107476 | 3... | BOLT, $\frac{3}{8}$ -16 x 1, THRD FRM | 12... | 539 110025 | 1... | BOLT, $\frac{3}{8}$ -16 x 1½, THRD FRM |
| 2...  | 539 108120 | 1... | NUT, $\frac{1}{4}$ -20, THIN, NYLOC   | 13... | 539 976979 | 2... | NUT, $\frac{3}{8}$ -16, HEX NYLOC      |
| 3...  | 539 990390 | 1... | WASHER, $\frac{3}{8}$ , ITLW          | 14... | 539 108212 | 1... | FUEL LINE                              |
| 4...  | 539 110064 | 1... | CLUTCH WASHER                         | 15... | 539 114542 | 1... | SPACER, ENGINE                         |
| 5...  | 539 110093 | 1... | OIL DRAIN FITTING                     |       |            |      | NOT SHOWN                              |
| 6...  | 532 110417 | 1... | CLUTCH                                | ...   | 539 109843 | 1... | MUFFLER                                |
| 7...  | 539 114530 | 1... | PULLEY                                | ...   | 539 109844 | 1... | MANIFOLD                               |
| 8...  | 539 110425 | 1... | FUEL LINE, 5"                         | ...   | 539 109980 | 1... | MUFFLER CLAMP                          |
| 9...  | 539 912222 | 4... | CLAMP, HOSE                           | ...   | 539 107098 | 1... | CLAMP                                  |
| 10... | 539 923388 | 1... | HCS, $\frac{7}{16}$ -20 x 3           | ...   | 539 107937 | 1... | OIL DRAIN HOSE                         |
| 11... | 539 990247 | 1... | WASHER, $\frac{7}{16}$                |       |            |      |  |

# STEERING





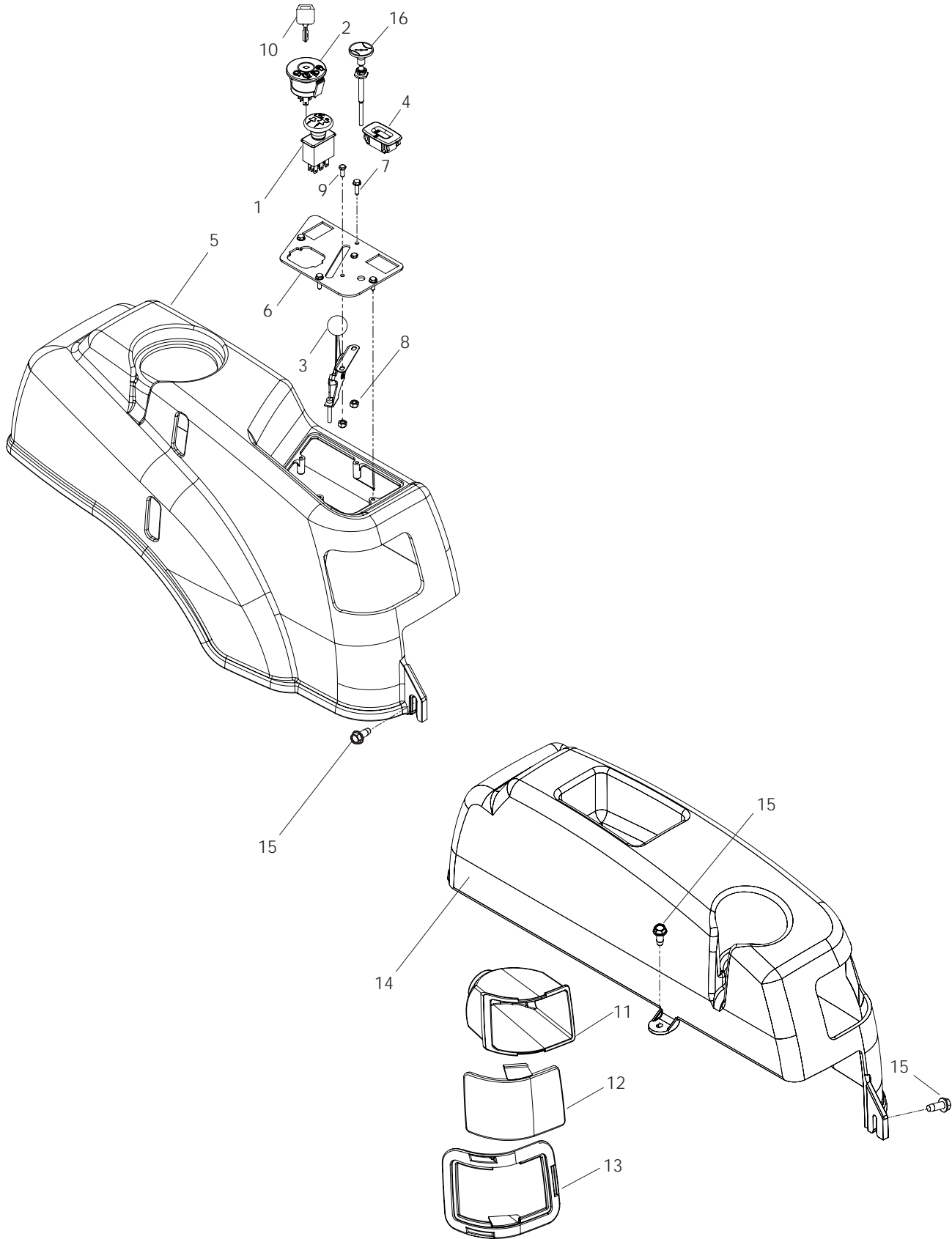
# STEERING

---

| ITEM | PART NO.       | QTY. | DESCRIPTION  | ITEM | PART NO.       | QTY. | DESCRIPTION                                   |
|------|----------------|------|--|------|----------------|------|---|
| 1..  | 539 102827.... | 2    | .... SPACER  | 19.. | 539 110477.... | 1    | .... SPRING, BRAKE LEVER                      |
| 2..  | 539 102828.... | 2    | .... BOLT, $\frac{5}{16}$ -18 x $\frac{5}{8}$ , SKT HD | 20.. | 539 110478.... | 1    | .... CAP, BRAKE LEVER                         |
| 3..  | 539 103547.... | 2    | .... WASHER, $\frac{1}{4}$                             | 21.. | 539 110675.... | 1    | .... SPRING BRACKET                           |
| 4..  | 539 105069.... | 2    | .... RING-E, $\frac{5}{8}$                             | 22.. | 539 113121.... | 2    | .... MOTION BUSHING                           |
| 5..  | 539 108120.... | 2    | .... NUT, $\frac{1}{4}$ -20, THIN, NYLOC               | 23.. | 539 916159.... | 1    | .... SPRING, TRANS                            |
| 6..  | 539 108460.... | 2    | .... BOLT, $\frac{5}{16}$ -18 x $1\frac{1}{4}$         | 24.. | 539 976935.... | 1    | .... HCS, $\frac{5}{16}$ -18 x $1\frac{1}{2}$ |
| 7..  | 539 108793.... | 2    | .... DAMPENER  | 25.. | 539 976937.... | 1    | .... HCS, $\frac{5}{16}$ -18 x 2              |
| 8..  | 539 110021.... | 2    | .... POST, RETURN                                      | 26.. | 539 976978.... | 2    | .... NUT, $\frac{1}{4}$ -20, NYLOC            |
| 9..  | 539 110142.... | 1    | .... SHAFT, MOTION                                     | 27.. | 539 976988.... | 2    | .... PIN HAIR, .073 x $1\frac{7}{16}$         |
| 10.. | 539 110145.... | 1    | .... MOTION CASTING                                    | 28.. | 539 990585.... | 1    | .... NUT, $\frac{5}{16}$ -18, WHIZLK          |
| 11.. | 539 110233.... | 1    | .... MOTION CONTROL ARM, LT                            | 29.. | 539 990692.... | 2    | .... WASHER, $\frac{5}{16}$                   |
| 12.. | 539 110236.... | 1    | .... MOTION CONTROL ARM, RT                            | 30.. | 539 990717.... | 2    | .... NUT, $\frac{5}{16}$ -18, NYLOC           |
| 13.. | 539 110430.... | 1    | .... BUSHING   | 31.. | 539 991034.... | 2    | .... SCRW, #10-24 x $\frac{5}{8}$ , WSH HD    |
| 14.. | 539 110340.... | 1    | .... NUT, $\frac{5}{8}$ -11, NYLOC                     | 32.. | 539 991112.... | 2    | .... NUT, $\frac{1}{4}$ -20, JAM              |
| 15.. | 539 110268.... | 1    | .... BRAKE ROD, RT                                     | 33.. | 539 990643.... | 4    | .... HCS, $\frac{1}{4}$ -20 x $\frac{7}{8}$   |
| 16.. | 539 110269.... | 1    | .... BRAKE ROD, LT                                     | 34.. | 539 110338.... | 2    | .... CONTROL LEVER                            |
| 17.. | 539 110282.... | 1    | .... BRAKE LEVER                                       | 35.. | 539 110337.... | 2    | .... GRIP, CONTROL LEVER                      |
| 18.. | 539 110342.... | 2    | .... SPRING  |      |                |      |   |

# IGNITION SYSTEM

Models 968999508, 968999512, 968999517, 968999765

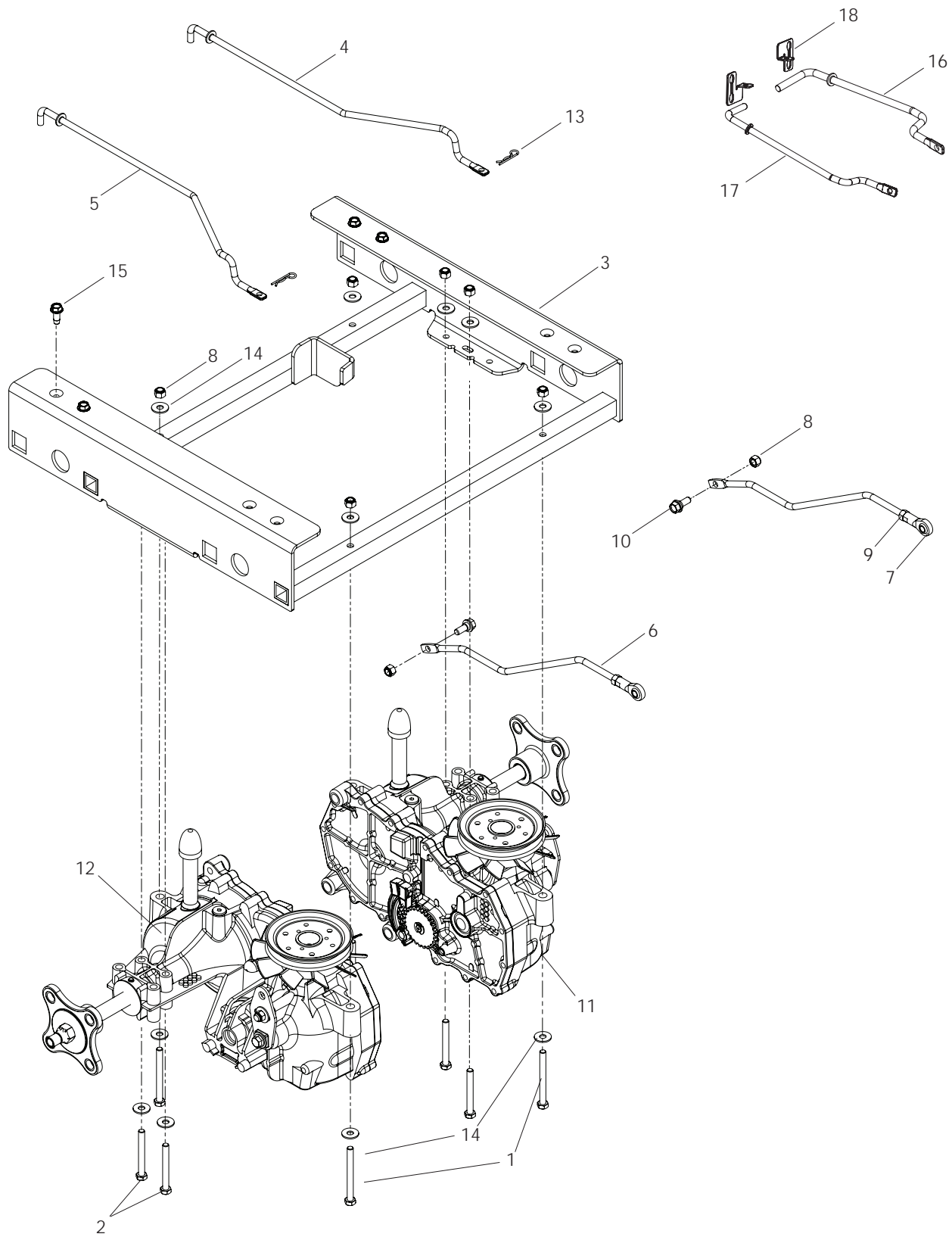


# IGNITION SYSTEM

---

| ITEM | PART NO.       | QTY. | DESCRIPTION                    | ITEM      | PART NO.       | QTY. | DESCRIPTION                      |
|------|----------------|------|--------------------------------|-----------|----------------|------|----------------------------------|
| 1..  | 539 101768.... | 1    | ....BLADE SWITCH               | 12..      | 539 110056.... | 1    | ....LENS, COLORED, LT            |
| 2..  | 539 107541.... | 1    | ....IGNITION SWITCH            |           | 539 110057.... | 1    | ....LENS, COLORED, RT            |
| 3..  | 539 112734.... | 1    | ....THROTTLE CABLE             | 13..      | 539 110451.... | 1    | ....RIM, HEADLIGHT, RT           |
| 4..  | 539 110074.... | 1    | ....HOUR METER                 |           | 539 110455.... | 1    | ....RIM, HEADLIGHT, LT           |
| 5..  | 539 130375.... | 1    | ....FENDER, CONSOLE            | 14..      | 539 130374.... | 1    | ....FENDER, LT                   |
| 6..  | 539 112735.... | 1    | ....CONSOLE PLATE              | 15..      | 539 990362..   | 10   | ....SCREW, 1/4-20 x 5/8, SLF TAP |
| 7..  | 539 110673.... | 4    | ....SCRW, #10-12 x 3/4, WSH HD | 16..      | 539 130209.... | 1    | ....CHOKE CONTRO                 |
| 8..  | 539 976977.... | 2    | ....NUT, #10-24, NYLOC         | NOT SHOWN |                |      |                                  |
| 9..  | 539 990411.... | 2    | ....SCREW, #10-24 x 1/2        |           | 539 110471.... | 1    | ....HEADLIGHT HARNESS            |
| 10.. | 539 107544.... | 1    | ....KEY                        |           |                |      |                                  |
| 11.. | 539 110456.... | 1    | ....HEADLIGHT REFLECTOR, LT    |           |                |      |                                  |
|      | 539 110452.... | 1    | ....HEADLIGHT REFLECTOR, RT    |           |                |      |                                  |

# HYDRAULIC PUMP-MOTOR



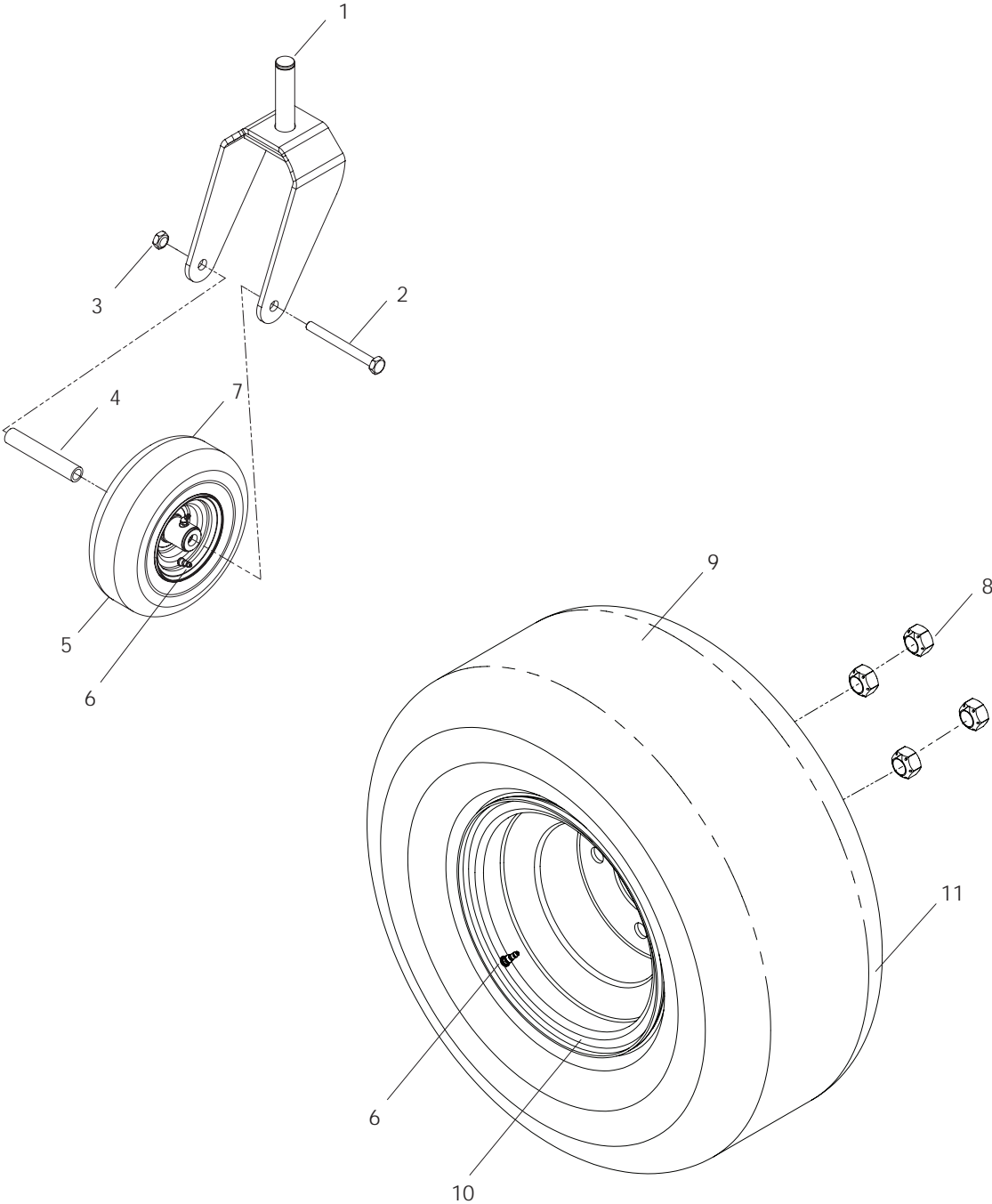
# HYDRAULIC PUMP-MOTOR

---

| ITEM | PART NO.        | QTY. | DESCRIPTION                              | ITEM | PART NO.        | QTY. | DESCRIPTION                           |
|------|-----------------|------|--|------|-----------------|------|---------------------------------------|
| 1..  | 539 101520....4 | .... | HCS, $\frac{5}{16}$ -18 x $3\frac{1}{4}$ | 10.. | 539 110303....2 | .... | BOLT, SHOULDER, $\frac{5}{16}$        |
| 2..  | 539 101721....4 | .... | HCS, $\frac{5}{16}$ -18 x $2\frac{3}{4}$ | 11.. | 539 110486....1 | .... | EZT, LT                               |
| 3..  | 539 110016....1 | .... | SUB FRAME                                | 12.. | 539 110487....1 | .... | EZT, RT                               |
| 4..  | 539 110270....1 | .... | BYPASS LINKAGE, LT                       | 13.. | 539 976988....2 | .... | PIN HAIR, .073 x $1\frac{7}{16}$      |
| 5..  | 539 110271....1 | .... | BYPASS LINKAGE, RIT                      | 14.. | 539 990692..16  | .... | WASHER, $\frac{5}{16}$                |
| 6..  | 539 110273....2 | .... | MOTION CNTRL ROD ASSM                    | 15.. | 539 990369....4 | .... | SCREW, $\frac{5}{16}$ -18 x 1 THD CUT |
| 7..  | 539 102590....1 | .... | END BALL, RT                             | 16.. | 539 131616....1 | .... | LINKAGE, BYPASS LT                    |
| 8..  | 539 990717....6 | .... | NUT, $\frac{5}{16}$ -18, NYLOC           | 17.. | 539 131618....1 | .... | LINKAGE, BYPASS RT                    |
| 9..  | 539 990223....1 | .... | NUT, $\frac{5}{16}$ -24                  | 18.. | 539 131093....2 | .... | BRACKET, BYPASS                       |

# WHEELS AND TIRES

---



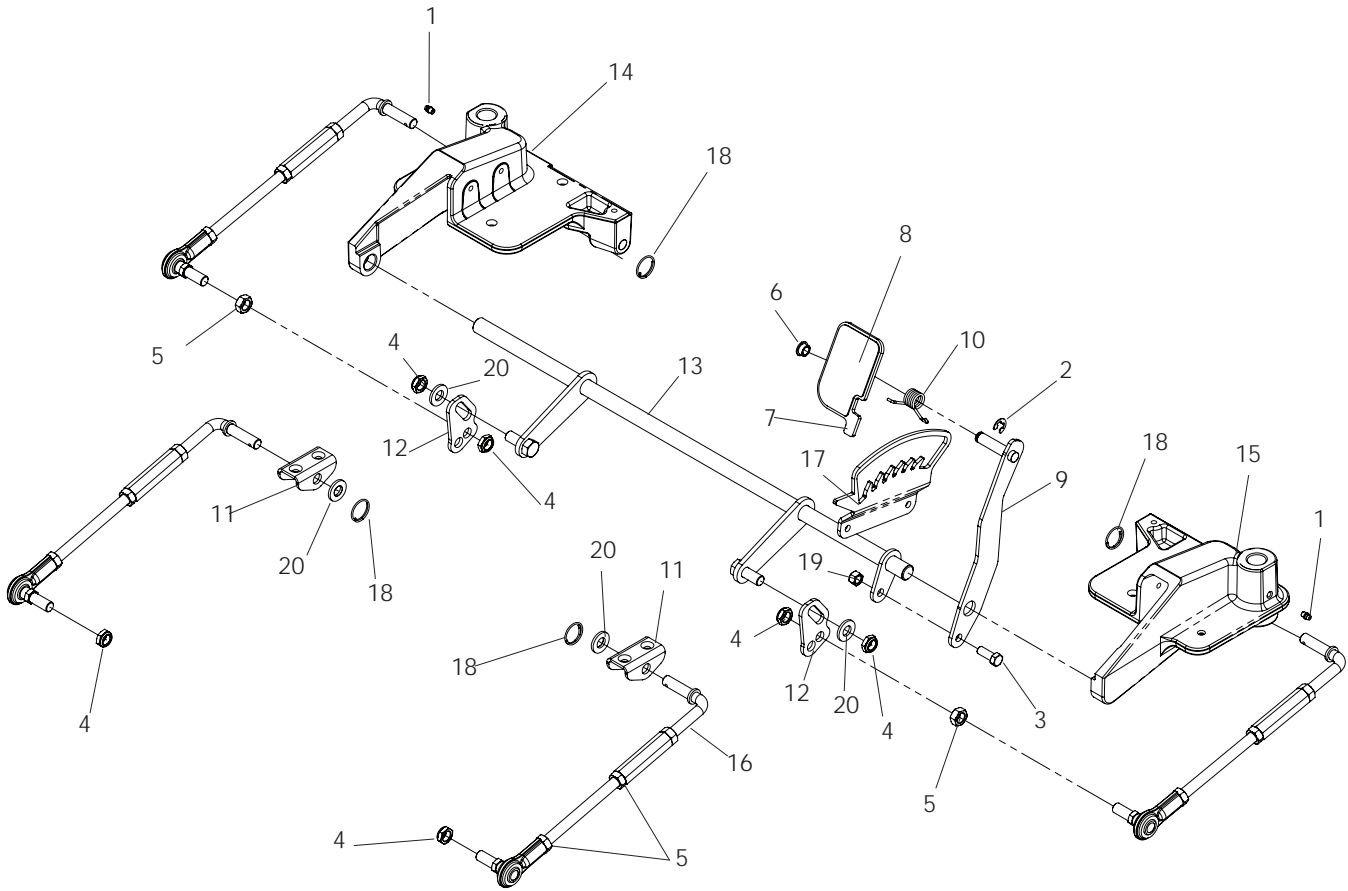
# WHEELS AND TIRES

---

| ITEM | PART NO.       | QTY.   | DESCRIPTION   | ITEM           | PART NO.       | QTY.   | DESCRIPTION   |
|------|----------------|--------|---|----------------|----------------|--------|---|
| 1..  | 539 107494.... | 2 .... | CASTER  | 10..           | 539 112217.... | 2 .... | RIM 18 x 7.5-8<br>MODELS 968999508,<br>968999512, 968999517,<br>968999765 |
| 2..  | 539 101907.... | 2 .... | HCS, ½-13 x 5½  |                |                |        |   |
| 3..  | 539 101331.... | 2 .... | NUT, ½-13, NYLOC  |                |                |        |   |
| 4..  | 539 105543.... | 2 .... | SPACER  | 11..           | 539 131997.... | 2 .... | TIRE, 20 x 10-8<br>MODELS 968999508,<br>968999512, 968999517              |
| 5..  | 539 110333.... | 2 .... | CASTER WHEEL ASSM   |                |                |        |   |
| 6..  | 539 912234.... | 4 .... | VALVE STEM  |                |                |        |   |
| 7..  | 539 106995.... | 2 .... | TIRE 11 x 3.5-5   | 539 130822.... | 2 ....         |        | TIRE, 18 x 9.5-8<br>MODEL 968999765                                       |
| 8..  | 539 101173.... | 8 .... | LUG NUT   |                |                |        |   |
| 9..  | 539 110253.... | 2 .... | RR WHEEL ASSM 18 x 7.5-8<br>MODELS 968999511,<br>968999656, 968999763,<br>968999764 |                |                |        |   |
|      | 539 131996.... | 2 .... | RR WHEEL ASSM 20 x 10-8<br>MODELS 968999508,<br>968999512, 968999517                |                |                |        |   |
|      | 539 110470.... | 2 .... | RR WHEEL ASSM 18 x 8.5-8<br>MODELS 968999655,<br>968999685                          |                |                |        |   |
|      | 539 130820.... | 2 .... | RR WHEEL ASSM 18 x 9.5-8<br>MODEL 968999765   |                |                |        |   |

# MOWER LIFT / DECK LIFT

Model 968999508, 968999765





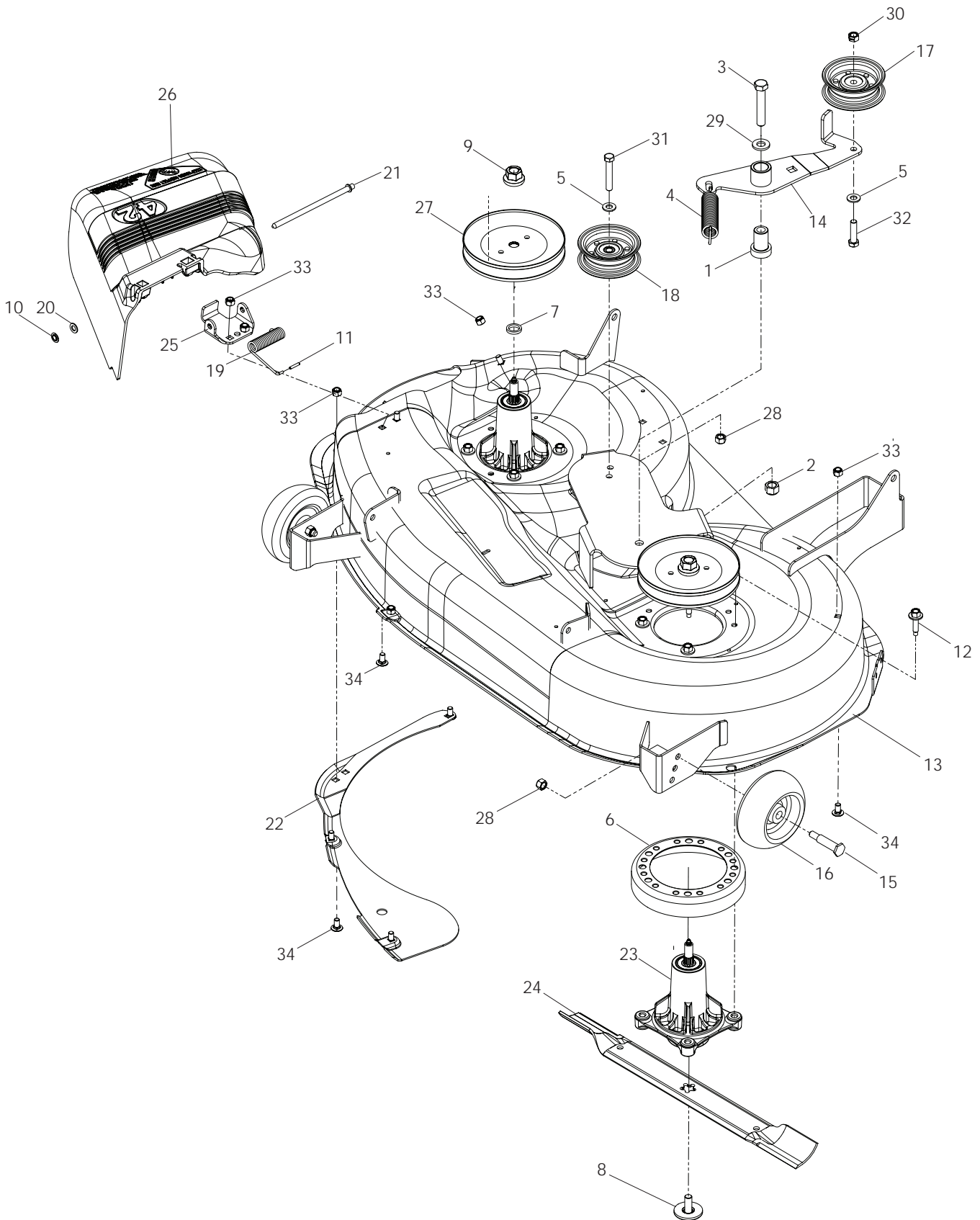
# MOWER LIFT / DECK LIFT

---

| ITEM  | PART NO.       | QTY.  | DESCRIPTION           |
|-------|----------------|-------|-----------------------|
| 1...  | 539 101474 ... | 2...  | ZERK                  |
| 2...  | 539 101949 ... | 1...  | RING-E, ½             |
| 3...  | 539 106791 ... | 1...  | HCS, ⅜-16 x 1, GR8    |
| 4...  | 539 108120 ... | 6...  | NUT, ¼-20, THIN NYLOC |
| 5...  | 539 108736 .   | 10... | NUT, ½-20, JAM        |
| 6...  | 539 100032 ... | 2...  | BUSHING, NYLON        |
| 7...  | 539 110292 ... | 1...  | FOOT PEDAL            |
| 8...  | 539 110308 ... | 1...  | FOOT PAD, NONSLIP     |
| 9...  | 539 110266 ... | 1...  | LIFT FOOT, LEVER      |
| 10... | 539 110295 ... | 1...  | SPRING, PEDAL, LIFT   |

| ITEM  | PART NO.       | QTY. | DESCRIPTION              |
|-------|----------------|------|--------------------------|
| 11... | 539 113561 ... | 2... | BRACKET, DECK HANGER     |
| 12... | 539 113562 ... | 2... | CONNECTOR, DECK LIFT     |
| 13... | 539 113565 ... | 1... | LIFT SHAFT               |
| 14... | 539 113586 ... | 1... | CASTING, CASTER, LEFT    |
| 15... | 539 113587 ... | 1... | CASTING, CASTER, RIGHT   |
| 16... | 539 113923 ... | 4... | LIFT LINKAGE             |
| 17... | 539 113931 ... | 1... | HEIGHT PLATE, DECK       |
| 18... | 539 916459 ... | 4... | RING-RETAIN, .090 x 1.13 |
| 19... | 539 976979 ... | 1... | NUT, ⅜-16, NYLOC         |
| 20... | 539 990250 ... | 4... | WASHER, ½, SAE           |

# 42" CUTTING DECK

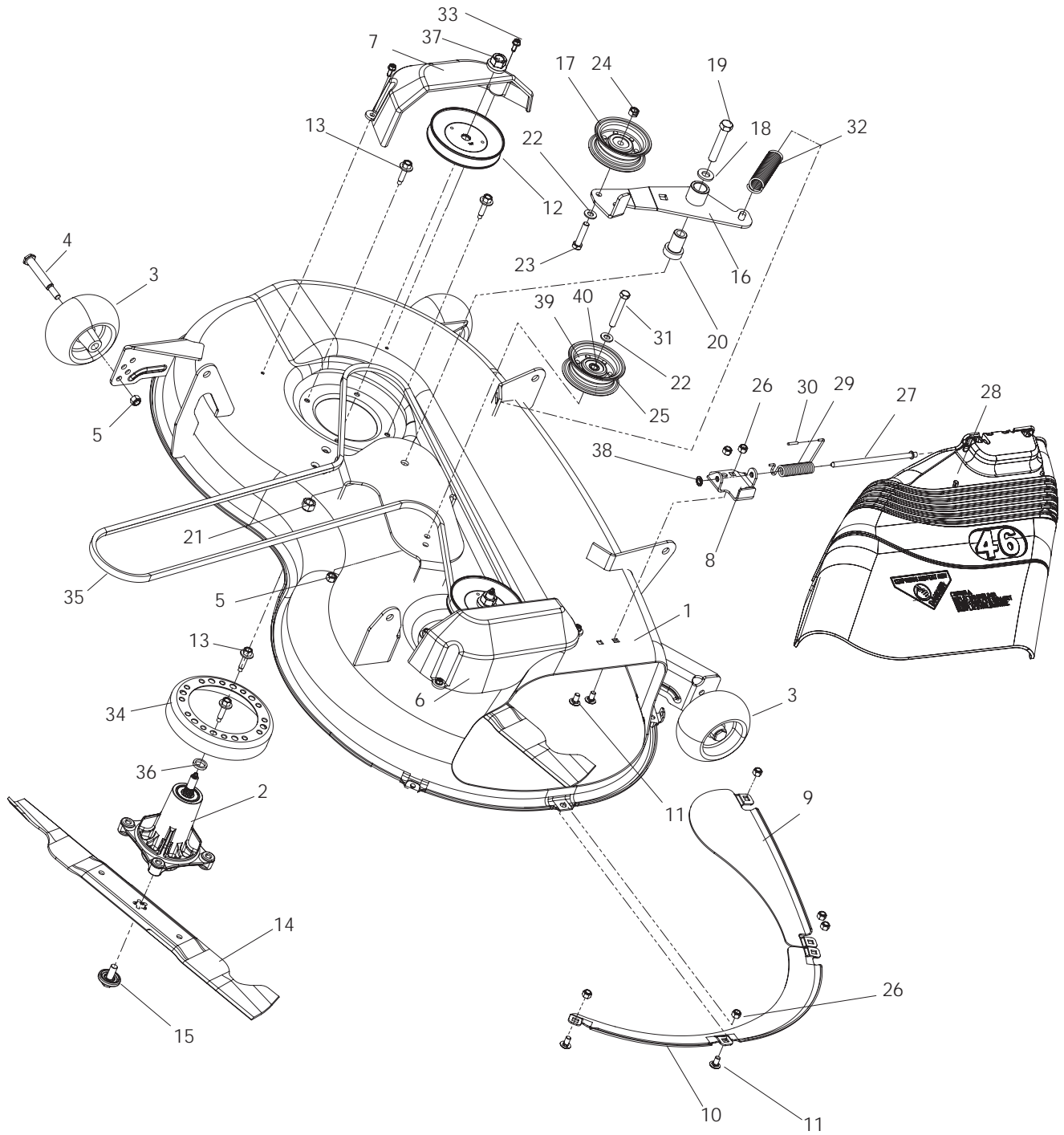


# 42" CUTTING DECK

---

| ITEM | PART NO.       | QTY.   | DESCRIPTION                | ITEM | PART NO.       | QTY.   | DESCRIPTION           |
|------|----------------|--------|----------------------------|------|----------------|--------|-----------------------|
| 1..  | 539 101231.... | 1 .... | SPINDLE-IDLER              | 19.. | 539 110328.... | 1 .... | SPRING, TORSION       |
| 2..  | 539 101331.... | 1 .... | NUT, ½-13, NYLOC           | 20.. | 539 110331.... | 1 .... | WASHER, 11/32         |
| 3..  | 539 101332.... | 1 .... | HCS, ½-13 x 2¾             | 21.. | 539 110462.... | 1 .... | ROD, HINGE            |
| 4..  | 539 101977.... | 1 .... | SPRING-TRAC                | 22.. | 539 110463.... | 1 .... | BAFFLE                |
| 5..  | 539 990122.... | 2 .... | WASHER, ¾, SAE             | 23.. | 539 112057.... | 2 .... | MANDREL               |
| 6..  | 539 107518.... | 2 .... | STRIPPER, ROUND            | 24.. | 539 110460.... | 2 .... | BLADE                 |
| 7..  | 539 107520.... | 2 .... | WASHER, .675               | 25.. | 532 192557.... | 1 .... | BRACKET, DEFLECTOR    |
| 8..  | 532 193003.... | 2 .... | BOLT ASSM                  | 26.. | 532 193108.... | 1 .... | DEFLECTOR             |
| 9..  | 539 107590.... | 2 .... | NUT, 9/16, CENTERLOCK      | 27.. | 532 195945.... | 2 .... | PULLEY, MANDREL       |
| 10.. | 539 107626.... | 1 .... | NUT, 5/16, PUSH            | 28.. | 539 976979.... | 3 .... | NUT, ¾-16, NYLOC      |
| 11.. | 539 107627.... | 1 .... | CAP-SLEEVE                 | 29.. | 539 990250.... | 1 .... | WASHER, ½             |
| 12.. | 539 107630.... | 8 .... | SCRW, 5/16-18 x 1¾, WSH HD | 30.. | 539 990546.... | 1 .... | NUT, ¾-16, CENTERLOCK |
| 13.. | 539 110528.... | 1 .... | DECK W/DECALS              | 31.. | 539 990629.... | 1 .... | HCS, ¾-16 x 2¼        |
| 14.. | 539 110217.... | 1 .... | IDLER ARM                  | 32.. | 539 990655.... | 1 .... | HCS, ¾-16 x 1½        |
| 15.. | 539 110222.... | 2 .... | BOLT, SHOULDER             | 33.. | 539 990717.... | 7 .... | NUT, 5/16-18, NYLOC   |
| 16.. | 539 110289.... | 2 .... | WHEEL, GAUGE               | 34.. | 539 990799.... | 7 .... | RHSNB, 5/16-18 x 5/8  |
| 17.. | 539 110316.... | 1 .... | PULLEY, IDLER, SHORT       |      |                |        | NOT SHOWN             |
| 18.. | 539 110317.... | 1 .... | IDLER PULLEY               |      | 539 102548.... | 1 .... | BELT                  |

# 46" CUTTING DECK

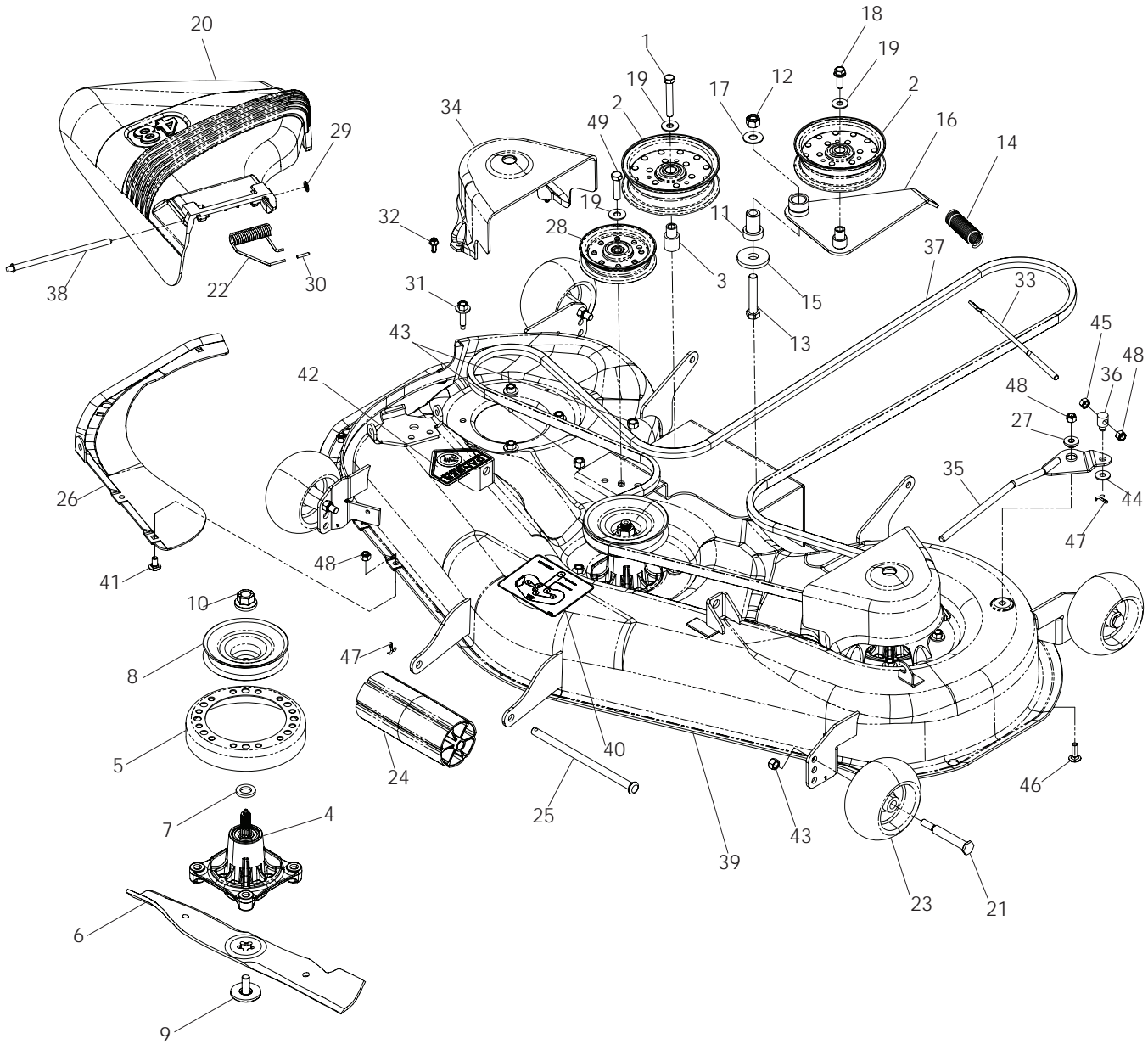


# 46" CUTTING DECK

---

| ITEM  | PART NO.   | QTY.    | DESCRIPTION               | ITEM  | PART NO.   | QTY.     | DESCRIPTION              |
|-------|------------|---------|---------------------------|-------|------------|----------|--------------------------|
| 1...  | 539 131485 | .. 1 .. | DECK W/DECALS             | 21... | 539 101331 | .. 1 ..  | NUT ½ HEX NYLOC ZD       |
| 2...  | 539 112057 | .. 2 .. | MANDREL                   | 22... | 539 990122 | .. 2 ..  | WASHER, ⅜ SAE FLT ZD     |
| 3...  | 539 107610 | .. 3 .. | WHEEL, GAUGE              | 23... | 539 990730 | .. 1 ..  | HCS ⅜-16 X 1¾ ZD         |
| 4...  | 539 107608 | .. 3 .. | BOLT, SHOULDER            | 24... | 539 990546 | .. 1 ..  | NUT, ⅜-16 HEX CNTRLK ZD  |
| 5...  | 539 976979 | .. 4 .. | NUT ⅜-16 HEX NYLOC ZD     | 25... | 539 110317 | .. 1 ..  | PULLEY ASSEMBLY, IDLER   |
| 6...  | 532 405506 | .. 1 .. | SHIELD, BELT RH           | 26... | 539 990717 | .. 7 ..  | NUT ⅝-16 HEX NYLOC ZD    |
| 7...  | 532 405507 | .. 1 .. | SHIELD, BELT LH           | 27... | 539 110462 | .. 1 ..  | ROD, HINGE               |
| 8...  | 532 192557 | .. 1 .. | BRACKET, DEFLCTR, 38/42   | 28... | 532 405357 | .. 1 ..  | SHIELD, DEFLECTOR        |
| 9...  | 532 403149 | .. 1 .. | BAFFLE, FRONT             | 29... | 539 110328 | .. 1 ..  | SPRING, TORSION          |
| 10... | 532 403150 | .. 1 .. | BAFFLE, FRONT RH          | 30... | 539 107627 | .. 1 ..  | CAP-SLEEVE               |
| 11... | 539 990799 | .. 7 .. | RHSNB ⅝-16 X ⅝ ZN         | 31... | 539 990637 | .. 1 ..  | HCS ⅜-16 X 2½ ZD         |
| 12... | 539 112171 | .. 2 .. | PULLEY, MANDREL           | 32... | 539 101977 | .. 1 ..  | TRACTION SPRING          |
| 13... | 539 107630 | .. 8 .. | SCREW, WASHER HEAD        | 33... | 539 107631 | .. 4 ..  | SCREW, THDRLL, ¼ -20 x ⅝ |
| 14... | 532 405380 | .. 2 .. | BLADE, 46" HI-LIFT        | 34... | 539 107518 | .. 2 ..  | STRIPPER, ROUND, UNIV    |
| 15... | 532 193003 | .. 2 .. | BOLT                      | 35... | 539 117811 | .. 1 ..  | BELT, DECK               |
| 16... | 539 110217 | .. 1 .. | IDLER ARM                 | 36... | 539 107520 | .. 2 ..  | WASHER-SPACER            |
| 17... | 539 110316 | .. 1 .. | PULLEY, DECK IDLER        | 37... | 539 107590 | .. 2 ..  | NUT, ⅝ TOP CENTER LOCK   |
| 18... | 539 990250 | .. 1 .. | WASHER - SAE .531 X 1.062 | 38... | 539 107626 | .. 1 ..  | PUSHNUT                  |
| 19... | 539 101332 | .. 1 .. | HCS ½-13 X 2¾ GD 5 ZD     | 39... | 539 110080 | ... 1... | PULLEY, IDLER            |
| 20... | 539 101231 | .. 1 .. | IDLER SPINDLE             | 40... | 539 110081 | ... 1... | BEARING INSERT           |

# 48" CUTTING DECK

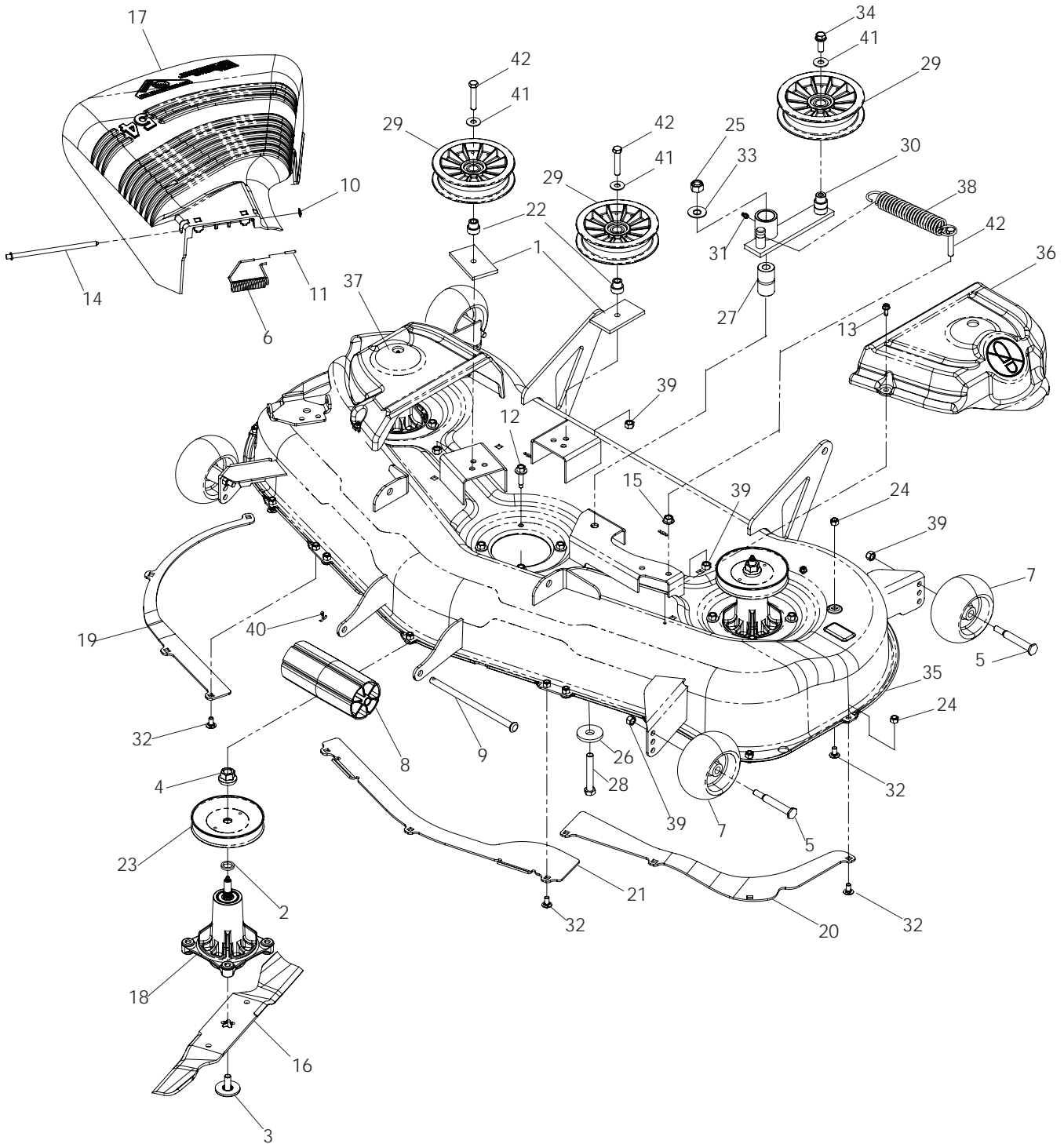


# 48" CUTTING DECK

---

| ITEM | PART NO.   | QTY. | DESCRIPTION           | ITEM      | PART NO.   | QTY. | DESCRIPTION                 |
|------|------------|------|-----------------------|-----------|------------|------|-----------------------------|
| 1    | 539 102612 | 1    | HCS, 3/8-16 x 2 3/4   | 27        | 539 107617 | 1    | BUSHING                     |
| 2    | 539 103257 | 2    | PULLEY, IDLER         | 28        | 539 107620 | 1    | PULLEY IDLER FLAT           |
| 3    | 539 103295 | 1    | BUSHING, IDLER        | 29        | 539 107626 | 1    | NUT, 5/16 PUSH              |
| 4    | 539 107515 | 3    | CUTTER HOUSING        | 30        | 539 107627 | 1    | CAP-SLEEVE                  |
| 5    | 539 107518 | 3    | STRIPPER, ROUND       | 31        | 539 107630 | 12   | SCREW, 5/16-18 x 1 3/8      |
| 6    | 539 107519 | 3    | BLADE, HIGH LIFT      | 32        | 539 107631 | 4    | SCREW, 1/4-20 x 5/8 THDROLL |
| 7    | 539 107520 | 6    | WASHER, .675          | 33        | 539 107803 | 1    | TENSION RELIEF LINKAGE      |
| 8    | 539 107521 | 3    | PULLEY, DRIVEN        | 34        | 539 108025 | 2    | BELTSHIELD                  |
| 9    | 539 107522 | 3    | BOLT, 7/16, SPEC      | 35        | 539 108668 | 1    | TENSION RELIEF LEVER        |
| 10   | 539 107590 | 3    | NUT, 9/16, CENTERLOCK | 36        | 539 108883 | 1    | SWIVEL                      |
| 11   | 539 101231 | 1    | SPINDLE, IDLER        | 37        | 539 109243 | 1    | BELT                        |
| 12   | 539 101331 | 1    | NUT, 1/2-13, NYLOC    | 38        | 539 110462 | 1    | ROD, HINGE                  |
| 13   | 539 101572 | 1    | HCS, 1/2-13 x 3       | 39        | 539 112721 | 1    | DECK W/DECALS               |
| 14   | 539 101977 | 1    | SPRING, TRAC          | 40        | 539 113942 | 1    | DECAL, BELT ROUTING         |
| 15   | 539 102243 | 1    | WASHER, .65           | 41        | 539 990799 | 3    | RHSNB, 5/16-18 x 5/8        |
| 16   | 539 109780 | 1    | DECK IDLER ARM        | 42        | 539 913010 | 1    | DECAL, WARNING              |
| 17   | 539 990550 | 1    | WASHER, 9/16          | 43        | 539 976979 | 6    | NUT, 3/8-16, NYLOC          |
| 18   | 539 990582 | 1    | HCS, 3/8-16 x 1       | 44        | 539 990122 | 1    | WASHER, 3/8, SAE            |
| 19   | 539 990692 | 1    | WASHER, 5/16          | 45        | 539 990196 | 1    | NUT, 5/16-18                |
| 20   | 539 107604 | 1    | DISCHARGE CHUTE       | 46        | 539 990208 | 1    | RHSNB, 5/16-18 x 1          |
| 21   | 539 107608 | 4    | SB, 1/2 x 2 5/8, SPEC | 47        | 539 990365 | 2    | PIN COTTER, 1/8 x 3/4       |
| 22   | 539 107609 | 1    | SPRING, TORSION       | 48        | 539 990717 | 5    | NUT, 5/16-18, NYLOC         |
| 23   | 539 107610 | 4    | WHEEL, GAUGE          | 49        | 539 990730 | 1    | HCS, 3/8-16 x 1 3/4         |
| 24   | 539 107612 | 1    | ROLLER, NOSE          | NOT SHOWN |            |      |                             |
| 25   | 539 107613 | 1    | ROD, ROLLER, NOSE     | ...       | 539 200684 | 2    | RIVET, 3/16                 |
| 26   | 539 107614 | 1    | BAFFLE                |           |            |      |                             |

# 54" CUTTING DECK





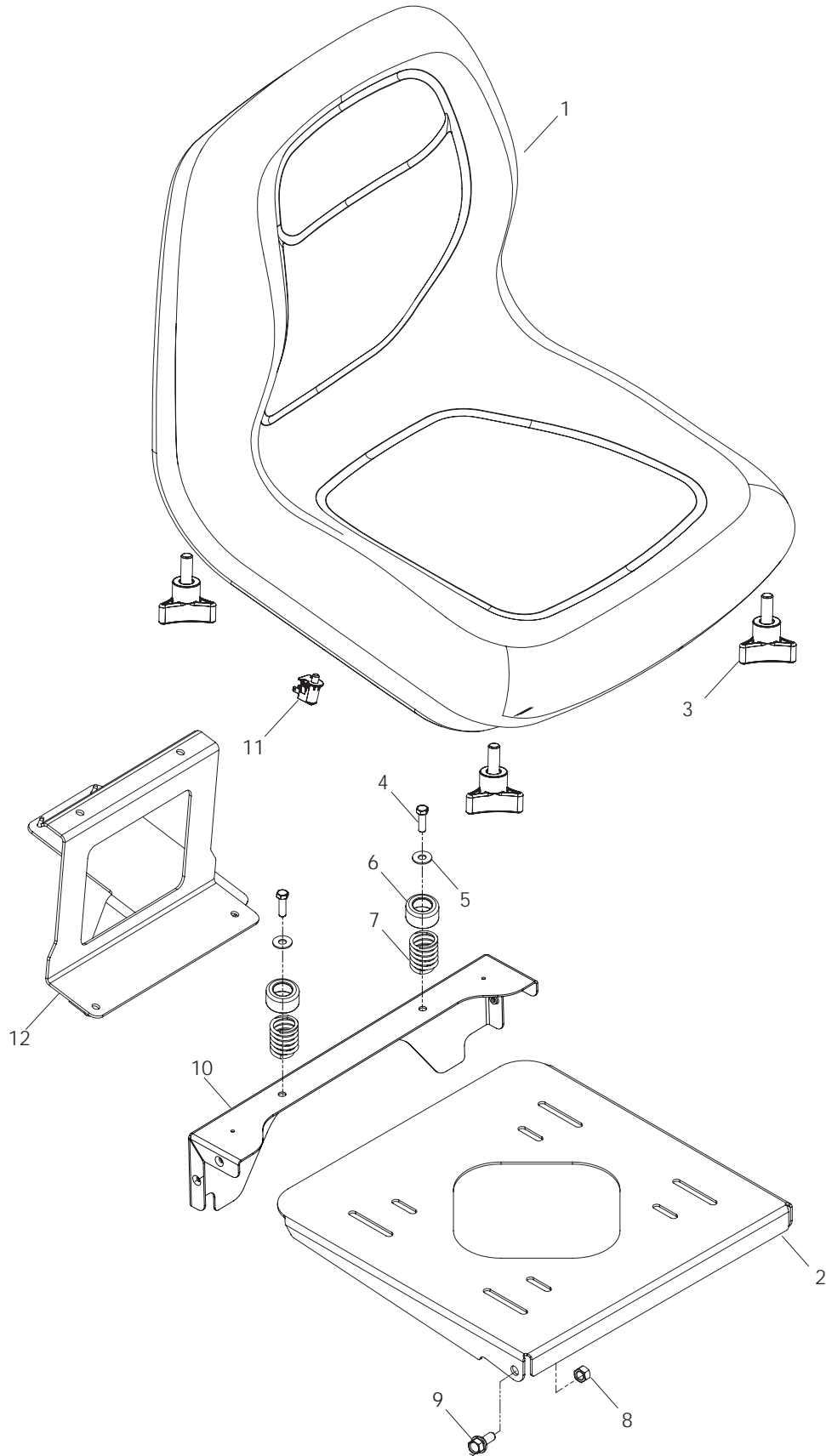
# 54" CUTTING DECK

---

| ITEM  | PART NO.   | QTY.  | DESCRIPTION   | ITEM      | PART NO.   | QTY.  | DESCRIPTION   |
|-------|------------|-------|---|-----------|------------|-------|---|
| 1...  | 539 103303 | 2...  | PAD   | 23...     | 539 112171 | 3...  | PULLEY  |
| 2...  | 539 107520 | 3...  | WASHER, .675, SPACER  | 24...     | 539 990717 | 12... | NUT, <sup>5</sup> / <sub>16</sub> -18, NYLOC                          |
| 3...  | 532 174365 | 3...  | BOLT, <sup>7</sup> / <sub>16</sub> , SPEC                                     | 25...     | 539 101331 | 1...  | NUT, <sup>1</sup> / <sub>2</sub> -13, NYLOC                           |
| 4...  | 539 107590 | 3...  | NUT, <sup>9</sup> / <sub>16</sub> , TOP CENTERLOCK                            | 26...     | 539 102243 | 1...  | WASHER, .65, SUPPORT  |
| 5...  | 532 137644 | 4...  | SB, <sup>1</sup> / <sub>2</sub> x 2 <sup>5</sup> / <sub>8</sub> , SPEC        | 27...     | 539 103427 | 1...  | BUSHING, PIVOT  |
| 6...  | 539 107609 | 1...  | SPRING, TORSION   | 28...     | 539 103433 | 1...  | HCS, <sup>1</sup> / <sub>2</sub> -13 x 3 <sup>1</sup> / <sub>4</sub>  |
| 7...  | 532 133957 | 4...  | WHEEL, GAUGE  | 29...     | 539 131148 | 3...  | IDLER PULLEY, NYLON   |
| 8...  | 532 176066 | 1...  | ROLLER, NOSE  | 30...     | 539 112198 | 1...  | IDLER ARM   |
| 9...  | 539 107613 | 1...  | ROD, ROLLER, NOSE   | 31...     | 539 976998 | 1...  | ZERK, STRAIGHT, <sup>1</sup> / <sub>4</sub> -28                       |
| 10... | 539 107626 | 1...  | NUT, <sup>5</sup> / <sub>16</sub> , PUSH                                      | 32...     | 539 990799 | 13... | RHSNB, <sup>5</sup> / <sub>16</sub> -18 x <sup>5</sup> / <sub>8</sub> |
| 11... | 539 107627 | 1...  | CAP-SLEEVE  | 33...     | 539 990550 | 1...  | WASHER, .562  |
| 12... | 539 107630 | 12... | SCREW, <sup>5</sup> / <sub>16</sub> -18 x 1 3/8                               | 34...     | 539 990582 | 1...  | HCS, <sup>3</sup> / <sub>8</sub> -16 x 1, WHIZLK                      |
| 13... | 539 107631 | 4...  | SCREW, <sup>1</sup> / <sub>4</sub> -20 x <sup>5</sup> / <sub>8</sub> , TDROLL | 35...     | 539 114046 | 1...  | DECK W/DECALS   |
| 14... | 532 131491 | 1...  | ROD, HINGE  | 36...     | 539 113557 | 1...  | BELT SHIELD, LEFT   |
| 15... | 539 990613 | 1...  | NUT, <sup>3</sup> / <sub>8</sub> -16, WHIZLK                                  | 37...     | 539 113558 | 1...  | BELT SHIELD, RIGHT  |
| 16... | 539 112053 | 3...  | BLADE, STANDARD   | 38...     | 539 113934 | 1...  | SPRING  |
| 17... | 539 112054 | 1...  | DEFLECTOR   | 39...     | 539 976979 | 7...  | NUT, <sup>3</sup> / <sub>8</sub> -16, NYLOC                           |
| 18... | 539 112057 | 3...  | MANDREL   | 40...     | 539 990365 | 1...  | PIN COTTER, <sup>1</sup> / <sub>8</sub> x <sup>3</sup> / <sub>4</sub> |
| 19... | 539 112059 | 1...  | BAFFLE, RIGHT   | 41...     | 539 990517 | 2...  | WASHER, <sup>3</sup> / <sub>8</sub>                                   |
| 20... | 539 112060 | 1...  | BAFFLE, LEFT  | 42...     | 539 990588 | 3...  | HCS, <sup>3</sup> / <sub>8</sub> -16 x 2                              |
| 21... | 539 112062 | 1...  | BAFFLE, CENTER  | NOT SHOWN |            |       |   |
| 22... | 539 112076 | 2...  | IDLER BUSHING   | ...       | 539 110832 | 1...  | DECK BELT   |

# SEAT

For Units With Serial Number Before 0752xxxxx



# SEAT

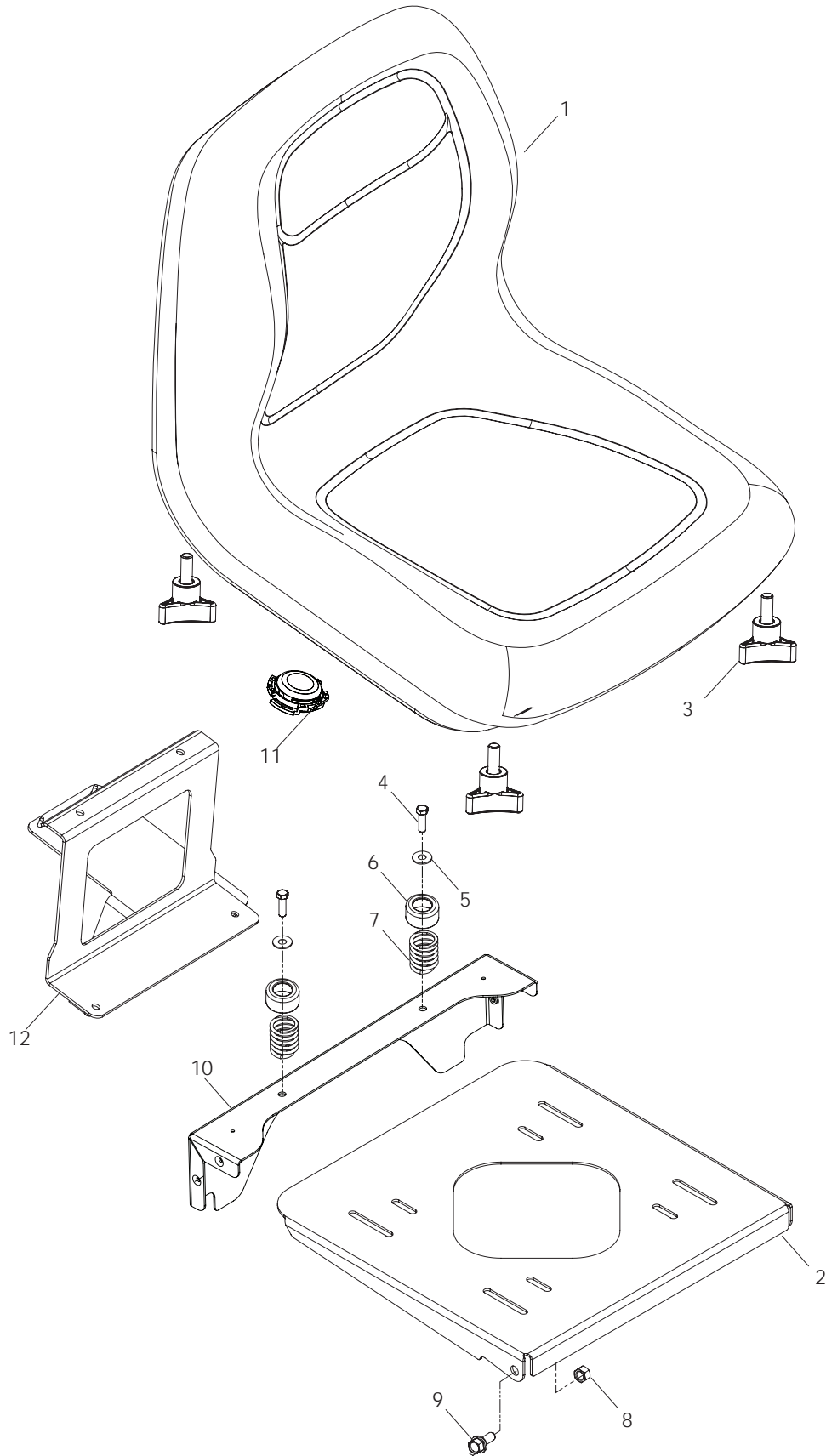
---

| ITEM | PART NO.   | QTY.       | DESCRIPTION                                   |
|------|------------|------------|---|
| 1..  | 539 112700 | ...1 ...   | SEAT  |
|      | 539 112699 | ....1 .... | SEAT<br>Models 968999511,<br>968999763        |
| 2..  | 539 112694 | ....1 .... | SEAT MOUNT                                    |
| 3..  | 539 104411 | ....4 .... | KNOB W/STUD                                   |
| 4..  | 539 110303 | ....2 .... | BOLT, <sup>5</sup> / <sub>16</sub> , SHOULDER |
| 5..  | 539 990517 | ....2 .... | WASHER, <sup>3</sup> / <sub>8</sub>           |
| 6..  | 539 110301 | ....2 .... | CAP, SPRING COVER                             |

| ITEM | PART NO.   | QTY.       | DESCRIPTION  |
|------|------------|------------|--|
| 7..  | 539 110300 | ....2 .... | SPRING, SEAT   |
| 8..  | 539 990717 | ....2 .... | NUT, <sup>5</sup> / <sub>16</sub> -18, NYLOC                         |
| 9..  | 539 976941 | ....2 .... | HCS, <sup>3</sup> / <sub>8</sub> -16 x 1 <sup>1</sup> / <sub>4</sub> |
| 10.. | 539 110126 | ....1 .... | REAR SEAT SUPPORT  |
| 11.. | 539 107523 | ....1 .... | SWITCH, SEAT   |
| 12.. | 539 112149 | ....1 .... | BRACKET, FRONT SUPPORT   |

# SEAT

For Units With Serial Number After 0752xxxxx



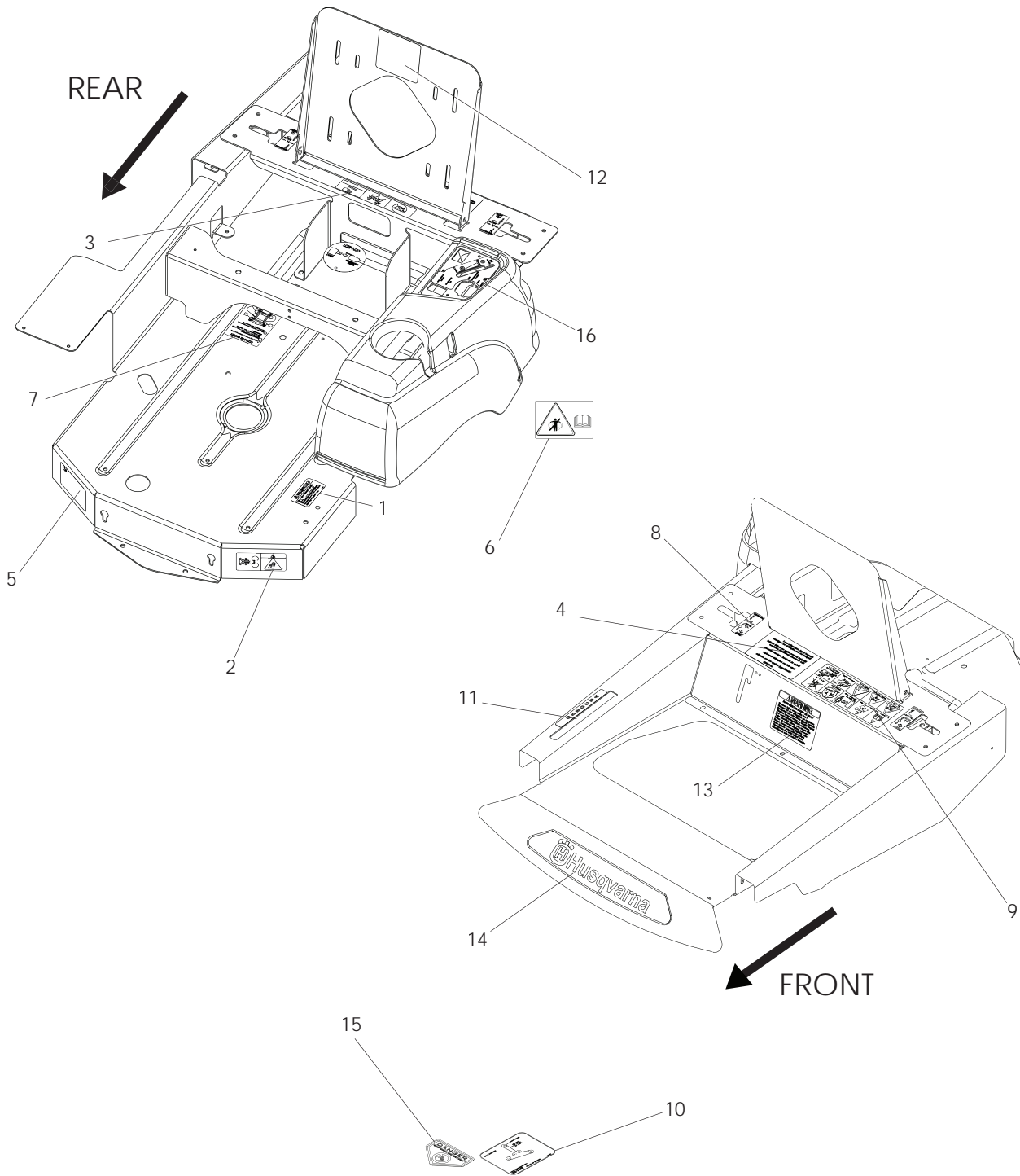
# SEAT

---

| ITEM | PART NO.   | QTY.  | DESCRIPTION  |
|------|------------|-------|--|
| 1..  | 539 130825 | ....1 | .... SEAT  |
|      | 539 130826 | ....1 | .... SEAT<br>Models 968999511,<br>968999763        |
| 2..  | 539 112694 | ....1 | .... SEAT MOUNT                                    |
| 3..  | 539 104411 | ....4 | .... KNOB W/STUD                                   |
| 4..  | 539 110303 | ....2 | .... BOLT, <sup>5</sup> / <sub>16</sub> , SHOULDER |
| 5..  | 539 990517 | ....2 | .... WASHER, <sup>3</sup> / <sub>8</sub>           |

| ITEM | PART NO.   | QTY.  | DESCRIPTION   |
|------|------------|-------|---|
| 6..  | 539 110301 | ....2 | .... CAP, SPRING COVER  |
| 7..  | 539 110300 | ....2 | .... SPRING, SEAT   |
| 8..  | 539 990717 | ....2 | .... NUT, <sup>5</sup> / <sub>16</sub> -18, NYLOC                         |
| 9..  | 539 976941 | ....2 | .... HCS, <sup>3</sup> / <sub>8</sub> -16 x 1 <sup>1</sup> / <sub>4</sub> |
| 10.. | 538 110126 | ....1 | .... REAR SEAT SUPPORT  |
| 11.. | 539 132140 | ....1 | .... SWITCH, SEAT   |
| 12.. | 539 112149 | ....1 | .... BRACKET, FRONT SUPPORT<br>Model 968999281 only                       |

# DECALS



## DECK DECALS

# DECALS

---

| ITEM | PART NO.   | QTY.     | DESCRIPTION   | ITEM | PART NO.   | QTY.    | DESCRIPTION  |
|------|------------|----------|---|------|------------|---------|--|
| 1... | 539 101881 | .. 1 ..  | DECAL, PROP 65  | 11.. | 539 113930 | .. 1 .. | DECAL, HEIGHT  |
| 2... | 539 105744 | .. 1 ..  | DECAL DANGER BELT DRIV  | 12.. | 539 110522 | .. 1 .. | DECAL, RESPONSIBILITY  |
| 3... | 539 105745 | .. 1 ..  | DECAL, BATTERY WARNING  | 13.. | 539 113213 | .. 1 .. | DECAL, WARNING   |
| 4... | 539 108179 | .. 1 ..  | DECAL, START  | 14.. | 539 111047 | .. 1 .. | DECAL, HUSQ 12" BLUE   |
| 5... | 539 108385 | .. 1 ..  | DECAL, DO NOT TOW   | 15.. | 539 913010 | .. 1 .. | DECAL, CPSC  |
| 6... | 539 108386 | .. 1 ..  | DECAL, EXIT MOWER   | 16.. | 539 110077 | .. 1 .. | DECAL, IGNITION CONSOLE<br>Models 968999281,<br>968999511, 968999655,<br>968999656, 968999685,<br>968999763, 968999764 |
| 7... | 539 109897 | .. 1 ..  | SERVICE DECAL   |      |            |         |  |
| 8... | 539 109898 | .. 2 ..  | DECAL, MOTION   |      |            |         |  |
| 9... | 539 109908 | .. 1 ..  | DECAL, SAFETY WARN  |      |            |         |  |
| 10.. | 539 110332 | .. 1 ..  | DECAL, BELT ROUTING<br>Models 968999281,<br>968999511, 968999655,<br>968999685, 968999763 | ..   | 539 112740 | .. 1 .. | DECAL, IGNITION CONSOLE<br>Models 968999508,<br>968999512, 968999655,<br>968999656                                     |
| ..   | 539 131490 | .. 1 ..  | DECAL, BELT ROUTING<br>Model 968999656,<br>968999764                                      |      |            |         |  |
| ...  | 539 113942 | ... 1... | DECAL, BELT ROUTING<br>968999512, 968999517   |      |            |         |  |
| ...  | 539 113942 | ... 1... | DECAL, BELT ROUTING<br>Models 968999508,<br>968999765                                     |      |            |         |  |