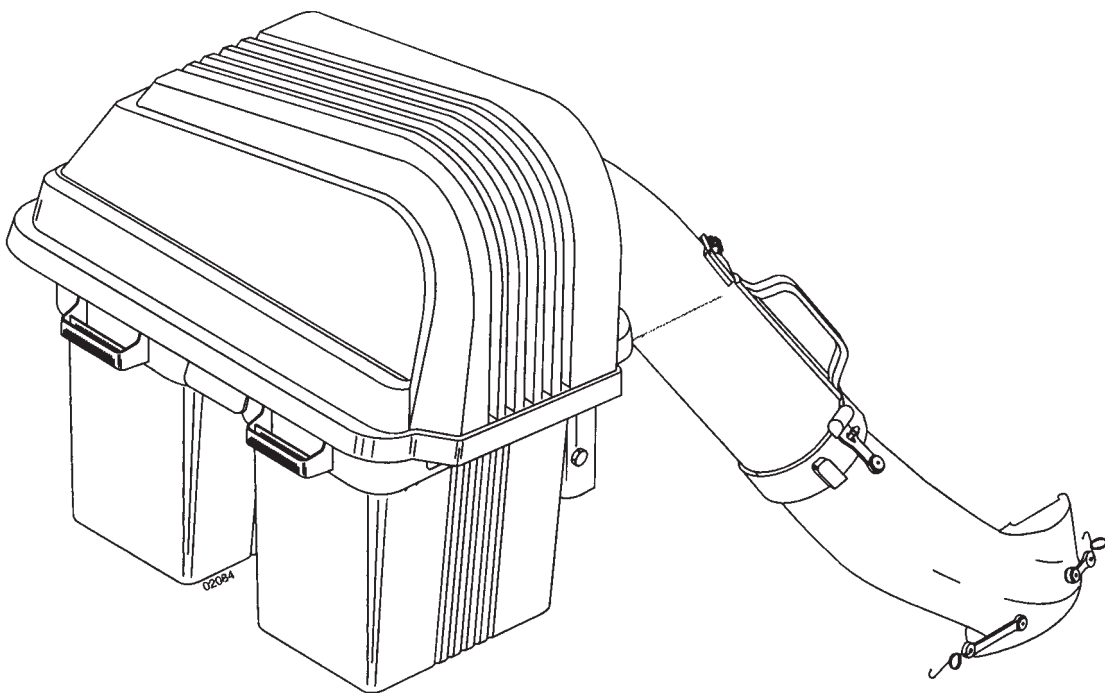


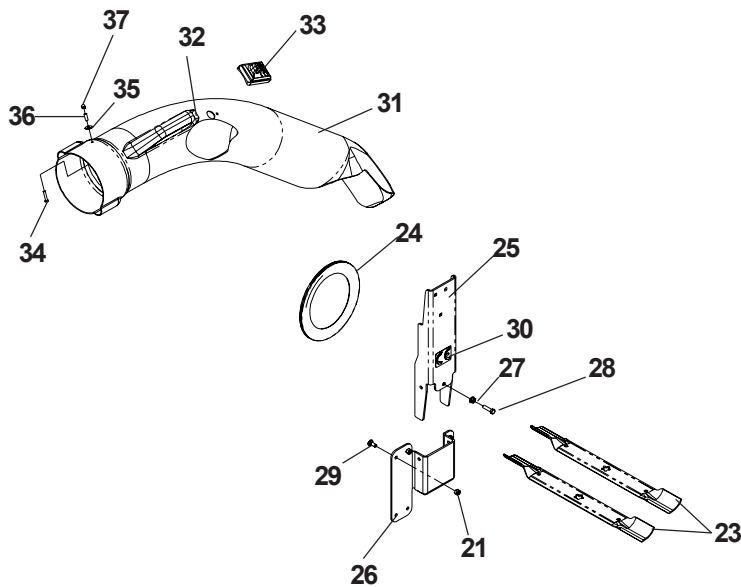
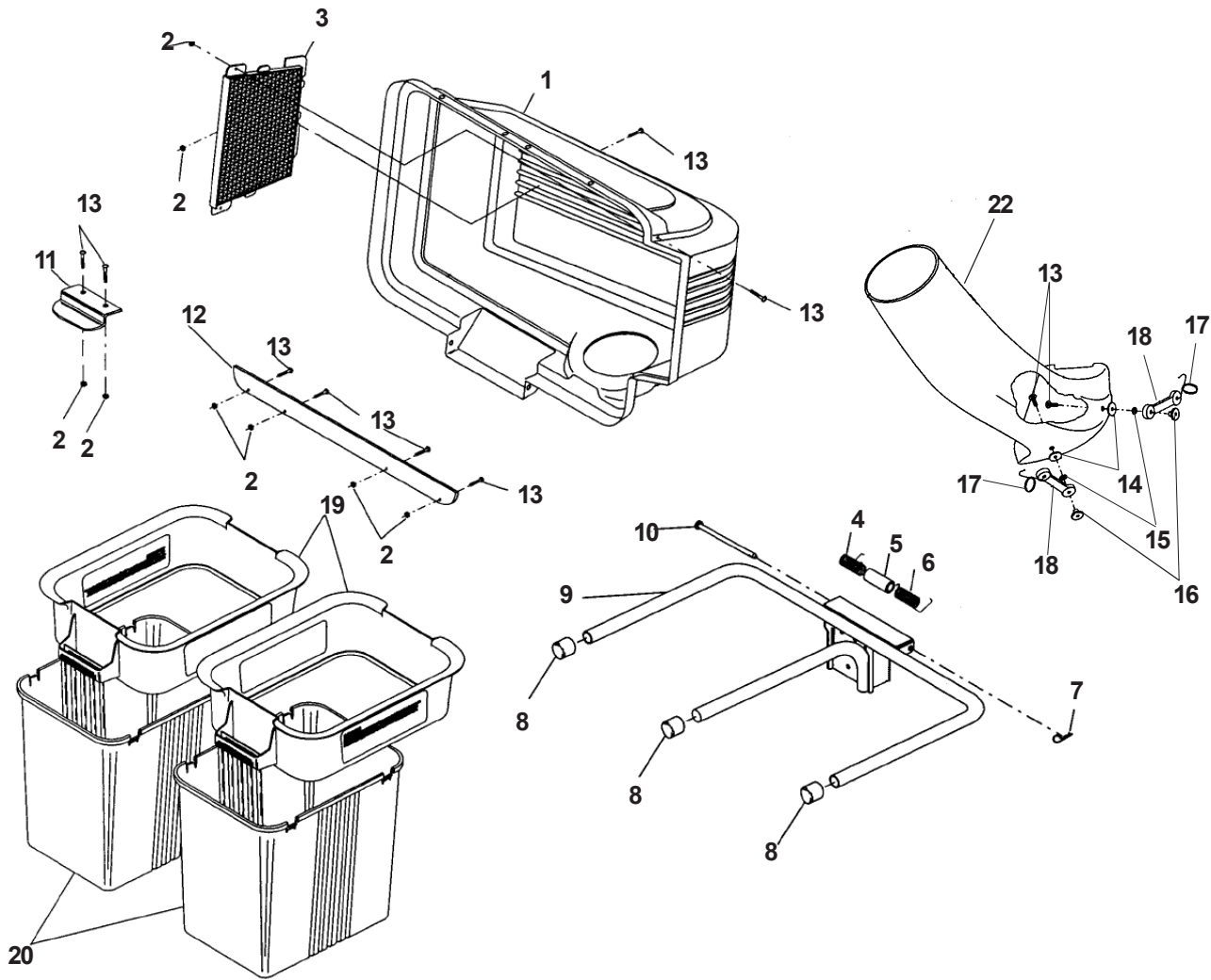
# Operator And Parts Manual

For  
42 Inch Consumer Z  
Grass Catcher



**Model:**  
**968999520 / Z42E**

# PARTS



# PARTS

ITEM	PART NO.	QTY.	DESCRIPTION
1	539 111139	1	COVER ASSEMBLY, COMPLETE (INCLUDES ITEM 2 THRU 13)
2	532 063180	10	NUT, 3/10-24, CROWN LOCK
3	532 127533	1	SCREEN, COVER
4	532 132796	1	SPRING, COVER, L.H.
5	532 133235	1	SPACER, COVER
6	532 132983	1	SPRING, COVER, R.H.
7	532 124670	1	SPRING, RETAINER
8	532 174083	3	PLUG, TUBING END
9	532 179746	1	BAGGER, FRAME
10	532 128600	1	PIN, HINGE
11	532 130895	1	LATCH HANDLE, COVER
12	532 155042	1	STRIP, REINFORCEMENT
13	871 161010	10	SCREW #10-24 X 5/8
14	819 061216	1	WASHER, 3/16 X 3/4, 16GA
15	810 071000	1	LOCKWASHER
16	532 125004	1	NUT, WELD
17	532 130760	1	LATCH, CHUTE
18	532 130759	1	RUBBER, LATCH
19	532 129585	1	CONTAINER, TOP
20	532 129586	1	CONTAINER, BOTTOM
21	539 990717	4	NUT, 5/16-18, NYLOC
22	532 162803	1	LOWER CHUTE
23	532 138971	2	HIGH LIFT BLADE
24	539 108100	1	GASKET, COVER
25	539 113606	1	BRACKET, HANGER
26	539 113608	1	BRACKET, RECEIVER
27	539 990585	1	NUT, 5/16-18, WHIZLK
28	539 990627	1	HCS, 5/16-18 X 1 1/4, GR5
29	539 990316	4	RHSNB, 5/16-18 X 3/4, GR5
30	539 108447	1	DECAL, CE
31	539 113901	1	UPPER CHUTE
32	539 108081	1	SCREW, #10-14 X 1/2, SPECIAL
33	539 108082	1	DUMP BAG INDICATOR
34	539 108083	1	SCREW, #10-24 X 1 1/8
35	539 108084	1	WASHER, 3/16
36	539 108085	1	SPACER, SPLIT
37	539 108086	1	NUT, #10-24, ACORN
	539 976988	4	HAIRPIN (NOT SHOWN)
	539 977703	4	CLEVIS PIN (NOT SHOWN)