

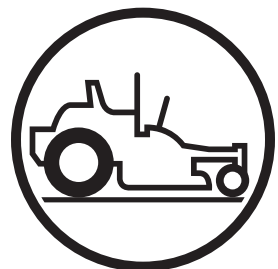
NOTE!
Not CE models

Z4218 / 968999281
Z4219 / 968999511
Z4220 / 968999655
Z4824BF / 968999517
Z4219BF / 968999763

Parts Manual

Z5426 / 968999508
Z4824 / 968999512
Z4619 / 968999656
Z4220BF / 968999685
Z4619BF / 968999764
Z5426BF / 968999765

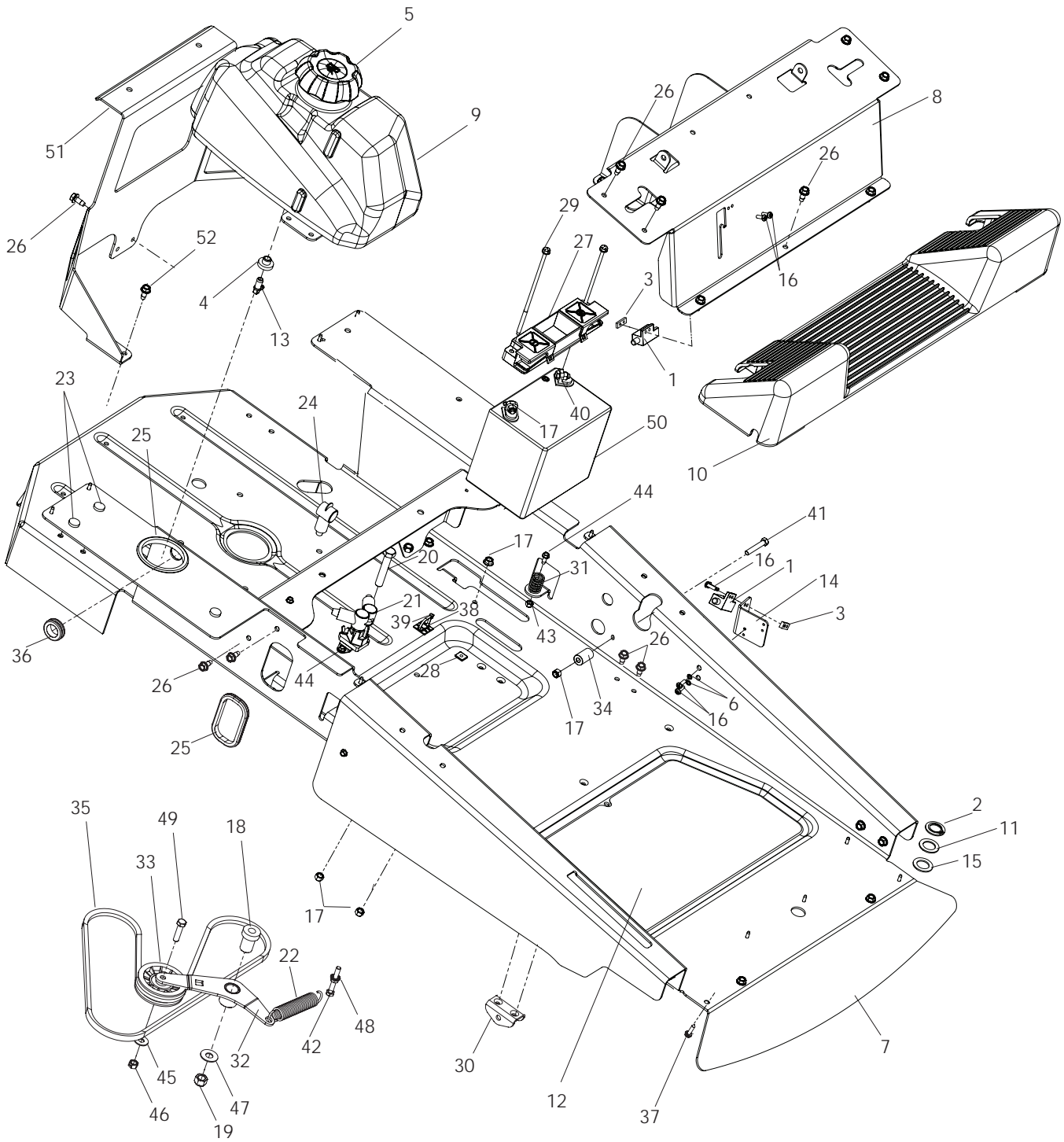
Please read the operator's manual carefully and make sure you understand the instructions before using the machine.



English

CHASSIS / FRAME

For Units With Serial Number Before 0752xxxxx

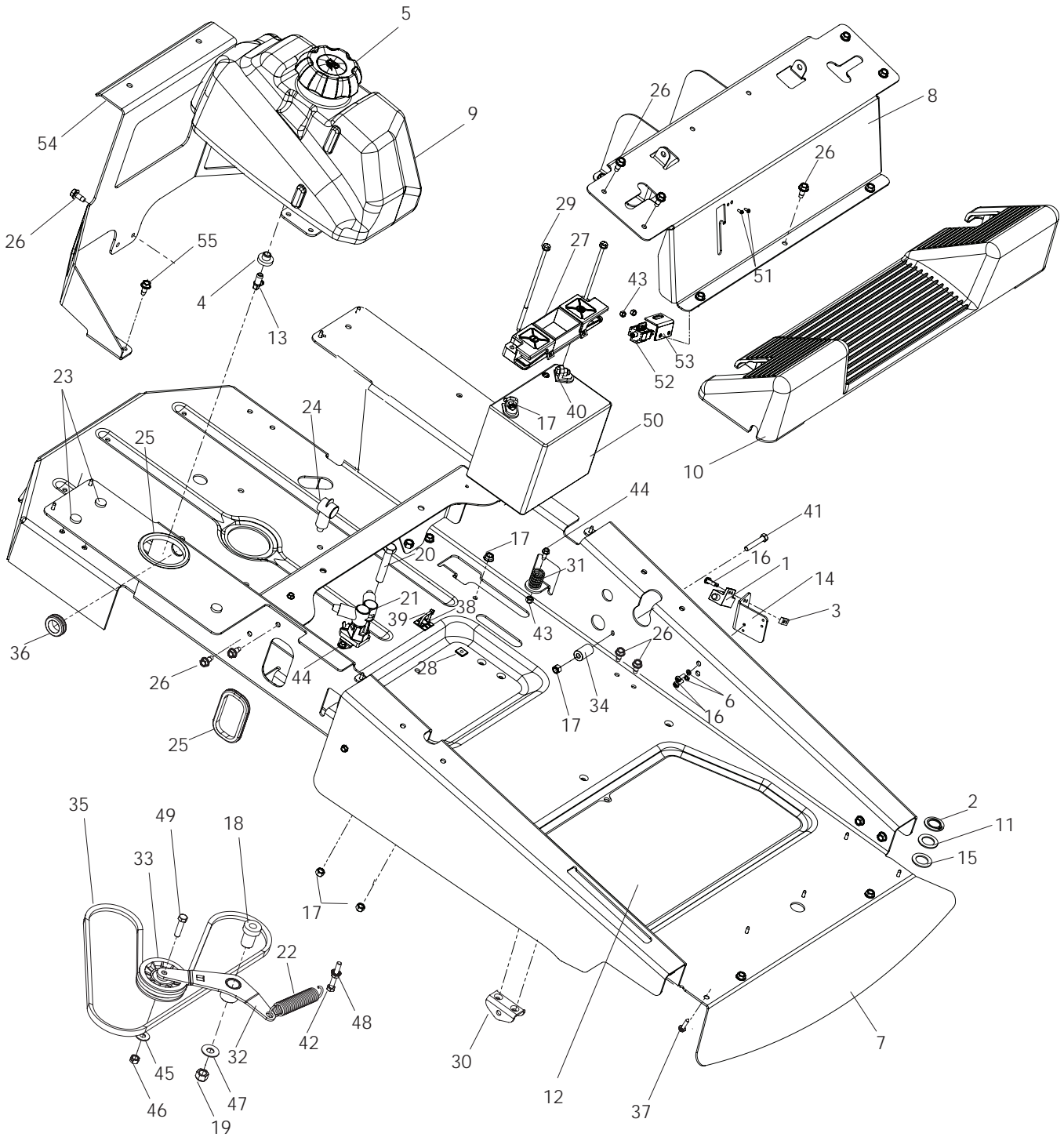


CHASSIS / FRAME

ITEM	PART NO.	QTY.	DESCRIPTION	ITEM	PART NO.	QTY.	DESCRIPTION	
1..	539 101080....3	SWITCH-INTERLOCK	29..	539 107632....2	BOLT, ¼ x 7½, SPEC	
2..	539 101151....2	RING-RETAINING EXT, 7/8	30..	539 110030....2	BRACKET, DECK HANGER Not used on Model 968999508 or 968999765	
3..	539 102678....3	SCREW PLATE, #10-24	31..	539 110070....2	SPRING, RETURN	
4..	539 105245....1	GROMMET, RUBBER	32..	539 110219....1	PUMP IDLER ARM	
5..	539 106188....1	FUEL CAP, ANTISPLASH	33..	539 110311....1	PULLEY, IDLER	
6..	539 109552....4	LOCKWASHER, 3/16	34..	539 110312....2	MOTION LIMITER	
7..	539 110377....1	CHASSIS W/DECALS	35..	539 110411....1	BELT, EZT	
8..	539 133037....1	CONSOLE W/DECALS	36..	539 110433....1	GROMMET, FUEL LINE	
9..	539 110252....1	FUEL TANK	37..	539 110674....6	SCRW, #10-12 x 1½ WSH HD	
10..	539 110284....1	FOOT REST	38..	539 110863....2	MOUNTING BLOCK, TIE	
11..	539 110294....2	WASHER, 7/8, WAVE	39..	539 976856....2	TIE-PLASTIC	
12..	539 110310....1	SLIP, MATTING	40..	539 976934....2	HCS, 5/16-18 x ¾	
13..	539 110432....1	STEM, FUEL TANK	41..	539 976937....2	HCS, 5/16-18 x 2	
14..	539 110860....2	SWITCH BRACKET	42..	539 976938....1	HCS, 5/16-18 x 2¼	
15..	539 923787....4	BUSHING	43..	539 976978....4	NUT, ¼-20, NYLOC	
16..	539 976952....6	SCREW, #10-24 x 5/8	44..	539 990362....8	SCREW, ¼-20 x 5/8 SELF TAP	
17..	539 990717.. 11	NUT, 5/16-18, NYLOC	45..	539 990517....3	WASHER, 3/8	
18..	539 101231....1	SPINDLE-IDLER	46..	539 990546....3	NUT, 3/8-16, CENTERLOCK	
19..	539 101331....1	NUT, ½-13, NYLOC	47..	539 990550....1	WASHER, ½	
20..	539 101332....1	HCS, ½-13 x 2¾	48..	539 990585....1	NUT, 5/16-18, WHIZLK	
21..	539 101714....1	SOLENOID	49..	539 990655....1	HCS, 3/8-16 x 1½	
22..	539 101977....1	SPRING	50..	539 102436....1	BATTERY, DRY	
23..	539 102587....3	GROMMET, BUMPER	51..	539 110495....1	REAR BRACKET, TOOL BOX Model 968999281 only	
24..	539 102759....3	INSULATOR-BATTERY	52..	539 990369....4	SCREW, 5/16-18 x 1 THD FRM	
25..	539 107116....2	GROMMET	NOT SHOWN			539 107616....1	BATTERY CABLE, POS
26..	539 107475..33	BOLT, 5/16-18 x ¾ THD FRM				539 110068....1	BATTERY CABLE, NEG
27..	539 107628....1	BATTERY HOLD DOWN				539 110309....1	WIRING HARNESS
28..	539 107629....2	NUT, ¼, PUSH NYLON				539 110290....2	FOAM STRIP, FUEL TANK

CHASSIS / FRAME

For Units with Serial Number After 0752XXXXX

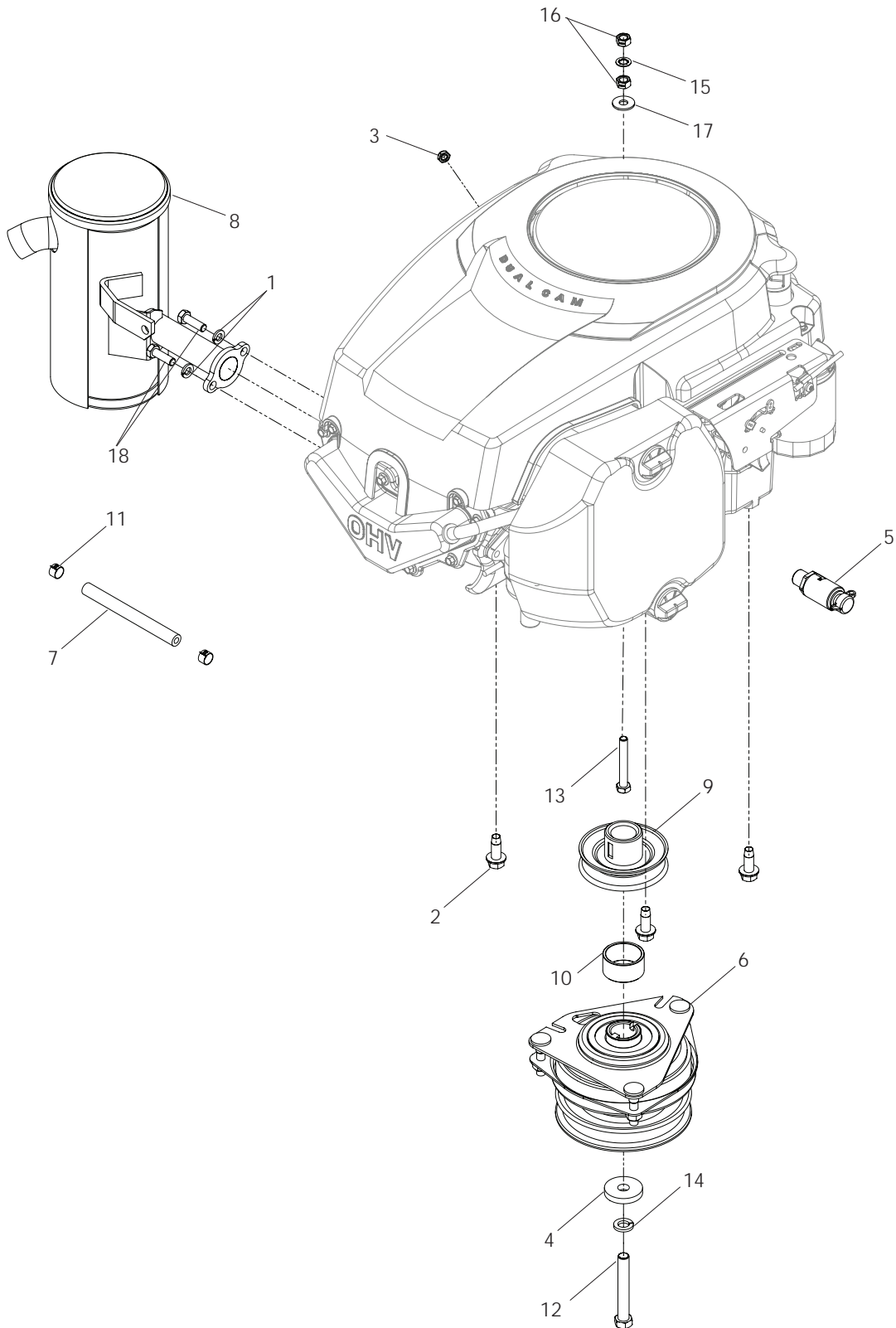


CHASSIS / FRAME

ITEM	PART NO.	QTY.	DESCRIPTION	ITEM	PART NO.	QTY.	DESCRIPTION		
1..	539 101080....	2 SWITCH-INTERLOCK	31..	539 110070....	2 SPRING, RETURN		
2..	539 101151....	2 RING-RETAINING EXT, 7/8	32..	539 110219....	1 PUMP IDLER ARM		
3..	539 102678....	2 SCREW PLATE, #10-24	33..	539 110311	1 PULLEY, IDLER		
4..	539 105245....	1 GROMMET, RUBBER	34..	539 110312....	2 MOTION LIMITER		
5..	539 106188....	1 FUEL CAP, ANTISPLASH	35..	539 110411	1 BELT, EZT		
6..	539 109552....	4 LOCKWASHER, 3/16	36..	539 110433....	1 GROMMET, FUEL LINE		
7..	539 110377	1 CHASSIS W/DECALS	37..	539 110674....	6 SCRW, #10-12 x 1 1/2 WSH HD		
8..	539 110378....	1 CONSOLE W/DECALS	38..	539 110863....	2 MOUNTING BLOCK, TIE		
9..	539 110252....	1 FUEL TANK	39..	539 976856....	2 TIE-PLASTIC		
10..	539 110284....	1 FOOT REST	40..	539 976934....	2 HCS, 5/16-18 x 3/4		
11..	539 110294....	2 WASHER, 7/8, WAVE	41..	539 976937....	2 HCS, 5/16-18 x 2		
12..	539 110310....	1 SLIP, MATTING	42..	539 976938....	1 HCS, 5/16-18 x 2 1/4		
13..	539 110432....	1 STEM, FUEL TANK	43..	539 976978....	6 NUT, 1/4-20, NYLOC		
14..	539 110860....	2 SWITCH BRACKET	44..	539 990362....	8 SCREW, 1/4-20 x 5/8 SELF TAP		
15..	539 923787....	4 BUSHING	45..	539 990517....	3 WASHER, 3/8		
16..	539 976952....	4 SCREW, #10-24 x 5/8	46..	539 990546....	3 NUT, 3/8-16, CENTERLOCK		
17..	539 990717..	11 NUT, 5/16-18, NYLOC	47..	539 990550....	1 WASHER, 1/2		
18..	539 101231....	1 SPINDLE-IDLER	48..	539 990585....	1 NUT, 5/16-18, WHIZLK		
19..	539 101331....	1 NUT, 1/2-13, NYLOC	49..	539 990655....	1 HCS, 3/8-16 x 1 1/2		
20..	539 101332....	1 HCS, 1/2-13 x 2 3/4	50..	539 102436....	1 BATTERY, DRY		
21..	539 101714....	1 SOLENOID	51..	539 990071....	2 HCS, 1/4 x 1/2		
22..	539 101977....	1 SPRING	52..	539 113792....	1 SWITCH, BRAKE		
23..	539 102587....	3 GROMMET, BUMPER	53..	539 114803....	1 BRACKET, SWITCH		
24..	539 102759....	3 INSULATOR-BATTERY	54..	539 110495....	1 REAR BRACKET, TOOL BOX Model 968999281 only		
25..	539 107116....	2 GROMMET	55..	539 990369....	4 SCREW, 5/16-18 x 1 THD FRM		
26..	539 107475..	33 BOLT, 5/16-18 x 3/4 THD FRM	NOT SHOWN			539 107616....	1 BATTERY CABLE, POS
27..	539 107628....	1 BATTERY HOLD DOWN				539 110068....	1 BATTERY CABLE, NEG
28..	539 107629....	2 NUT, 1/4, PUSH NYLON				539 114720....	1 WIRING HARNESS
29..	539 107632....	2 BOLT, 1/4 x 7 1/2, SPEC				539 110290....	2 FOAM STRIP, FUEL TANK
30..	539 110030....	2 BRACKET, DECK HANGER Not on Models 968999508 or 968999765						

ENGINE

Kohler 18 HP

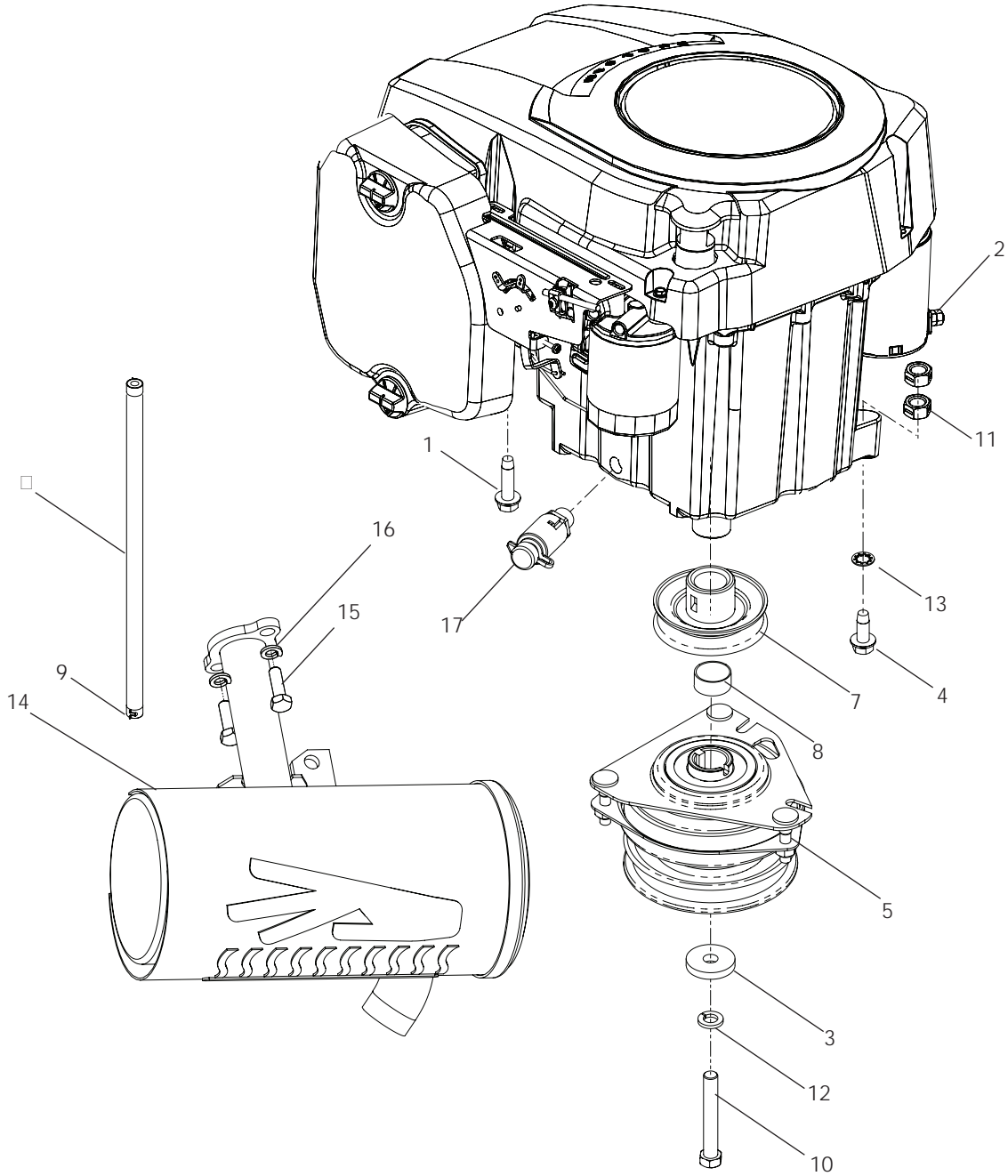


ENGINE

ITEM	PART NO.	QTY.	DESCRIPTION	ITEM	PART NO.	QTY.	DESCRIPTION
1..	539 990187....	2 WASHER $\frac{5}{16}$ SLW	10..	539 114542....	1 SPACER, ENGINE PULLEY
2..	539 107476....	3 BOLT, $\frac{3}{8}$ -16 x 1, THD FRM	11..	539 912222....	2 CLAMP, HOSE
3..	539 108120....	1 NUT, $\frac{1}{4}$ -20, THIN, NYLOC	12..	539 923388....	1 HCS, $\frac{7}{16}$ -20 x 3
4..	539 110064....	1 CLUTCH WASHER	13..	539 976938....	1 HCS $\frac{5}{16}$ -18 x 2 $\frac{1}{4}$
5..	539 110093....	1 OIL DRAIN FITTING	14..	539 990247....	1 WASHER $\frac{7}{16}$ SLW
6..	539 110417....	1 CLUTCH	15..	539 108576....	1 WASHER $\frac{5}{16}$ x $\frac{19}{32}$
7..	539 110425....	1 FUEL LINE, 5"	16..	539 990184....	2 NUT $\frac{5}{16}$ -18 HEX CTRLK
8..	539 111902....	1 MUFFLER	17..	539 990692....	2 WASHER, $\frac{5}{16}$ STD FLT
9..	539 114530....	1 PULLEY, ENGINE	18..	539 990209....	2 HCS $\frac{5}{16}$ -18 x 1

ENGINE

Kohler 20 HP

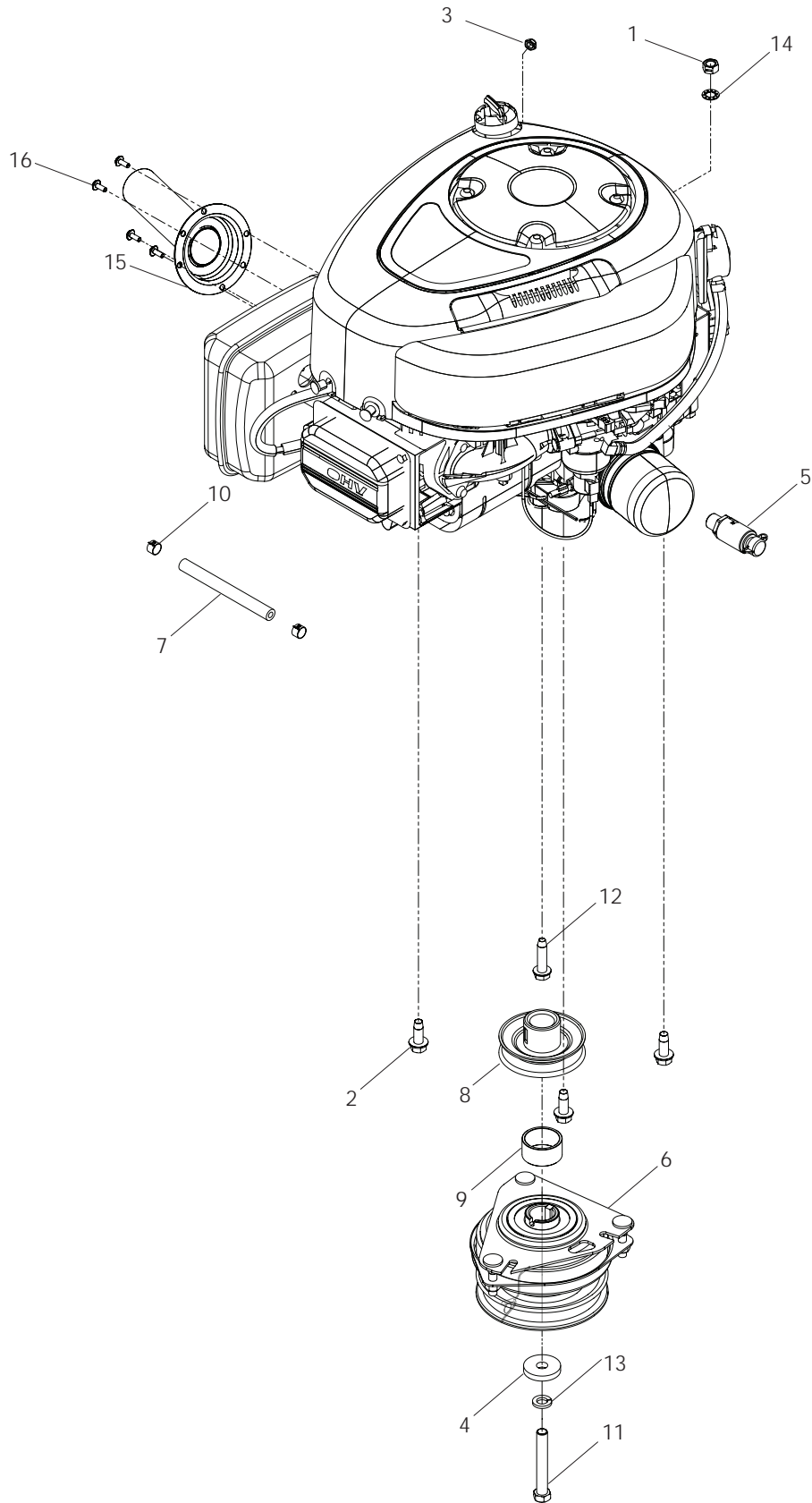


ENGINE

ITEM	PART NO.	QTY.	DESCRIPTION	ITEM	PART NO.	QTY.	DESCRIPTION
1...	539 107476	3...	BOLT, $\frac{3}{8}$ -16 x 1, THRD FORM	10...	539 923388	1...	HCS, $\frac{7}{16}$ -20 x 3
2...	539 108120	1...	NUT, $\frac{1}{4}$ -20, THIN, NYLOC	11...	539 990184	2...	NUT, $\frac{5}{16}$ -18, CENTERLOCK
3...	539 110064	1...	CLUTCH WASHER	12...	539 990247	1...	LOCKWASHER, $\frac{7}{16}$
4...	539 976938	1...	HCS $\frac{5}{16}$ -18 x $2\frac{1}{2}$ ZD	13...	539 990390	1...	WASHER, $\frac{3}{8}$
5...	539 110417	1...	CLUTCH	14...	539 111902	1...	MUFFLER
6...	539 110425	1...	FUEL LINE, 5"	15...	539 990209	2...	HCS, $\frac{5}{16}$ -18 X 1
7...	539 114530	1...	PULLEY, ENGINE	16...	539 990187	2...	WASHER $\frac{5}{16}$ SLW ZD
8...	539 114542	1...	SPACER, ENGINE PULLEY	17...	539 110093	1...	OIL DRAIN FITTING
9...	539 912222	2...	CLAMP, HOSE				

ENGINE

Briggs & Stratton 16 HP

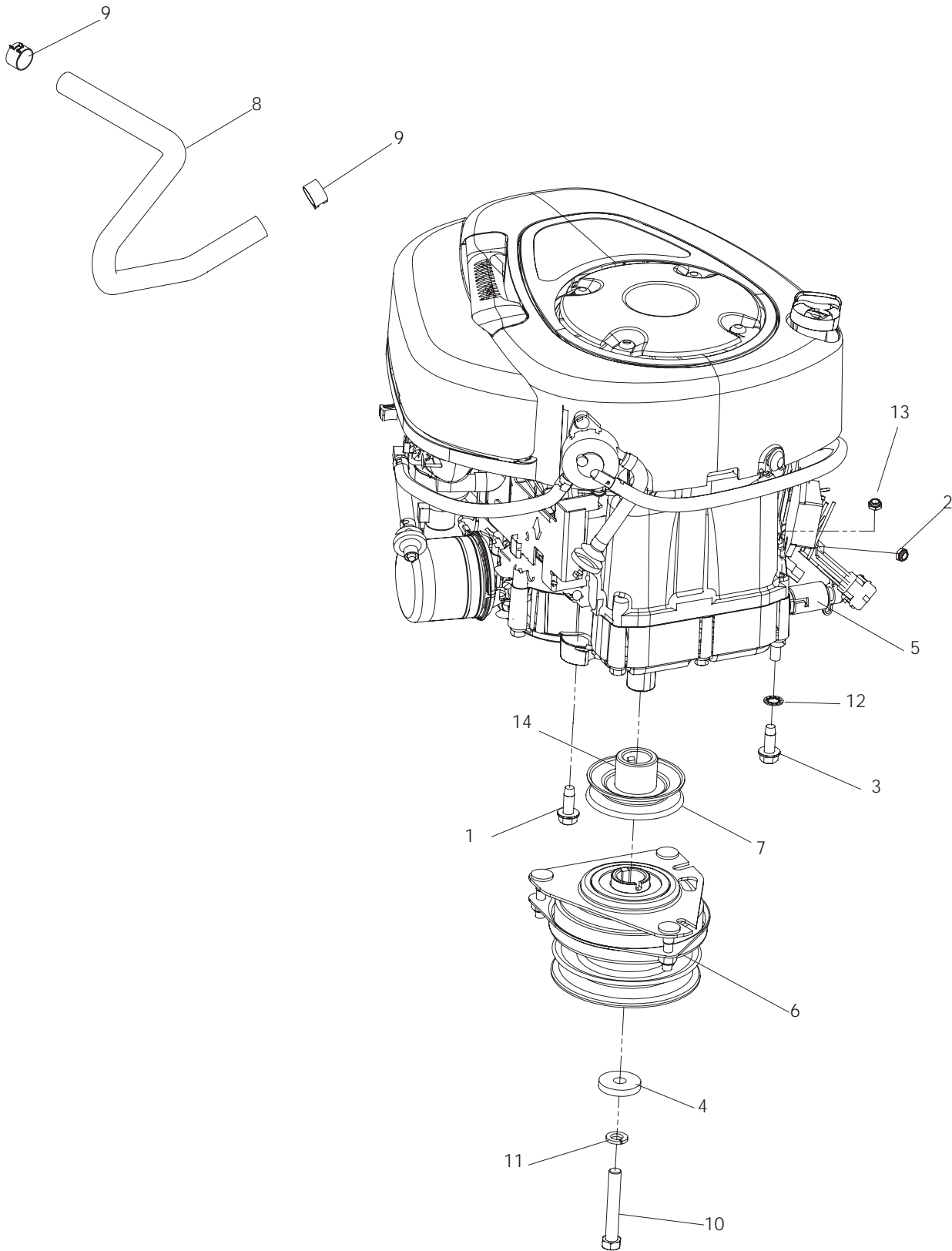


ENGINE

ITEM	PART NO.	QTY.	DESCRIPTION	ITEM	PART NO.	QTY.	DESCRIPTION
1..	539 990546....	1	NUT, $\frac{3}{8}$ -16 HEX CNTRLK	9..	539 114542....	1	SPACER, ENGINE PULLEY
2..	539 107476....	3	BOLT, $\frac{3}{8}$ -16 x 1, THD FRM	10..	539 912222....	2	CLAMP, HOSE
3..	539 108120....	1	NUT, $\frac{1}{4}$ -20, THIN, NYLOC	11..	539 923388....	1	HCS, $\frac{7}{16}$ -20 x 3
4..	539 110064....	1	CLUTCH WASHER	12..	539 110025....	1	BOLT $\frac{3}{8}$ -16 x 1.5 THD FRM
5..	539 110093....	1	OIL DRAIN FITTING	13..	539 990247....	1	WASHER $\frac{7}{16}$ SLW ZD
6..	539 110417....	1	CLUTCH	14..	539 990390....	1	WASHER, $\frac{3}{8}$
7..	539 110425....	1	FUEL LINE, 5"	15..	539 121371....	1	EXTENSION, MUFFLER
8..	539 114530....	1	PULLEY, ENGINE	16..	539 115537....	4	SCREW, #10 -16 x $\frac{1}{2}$

ENGINE

Briggs & Stratton 19 HP

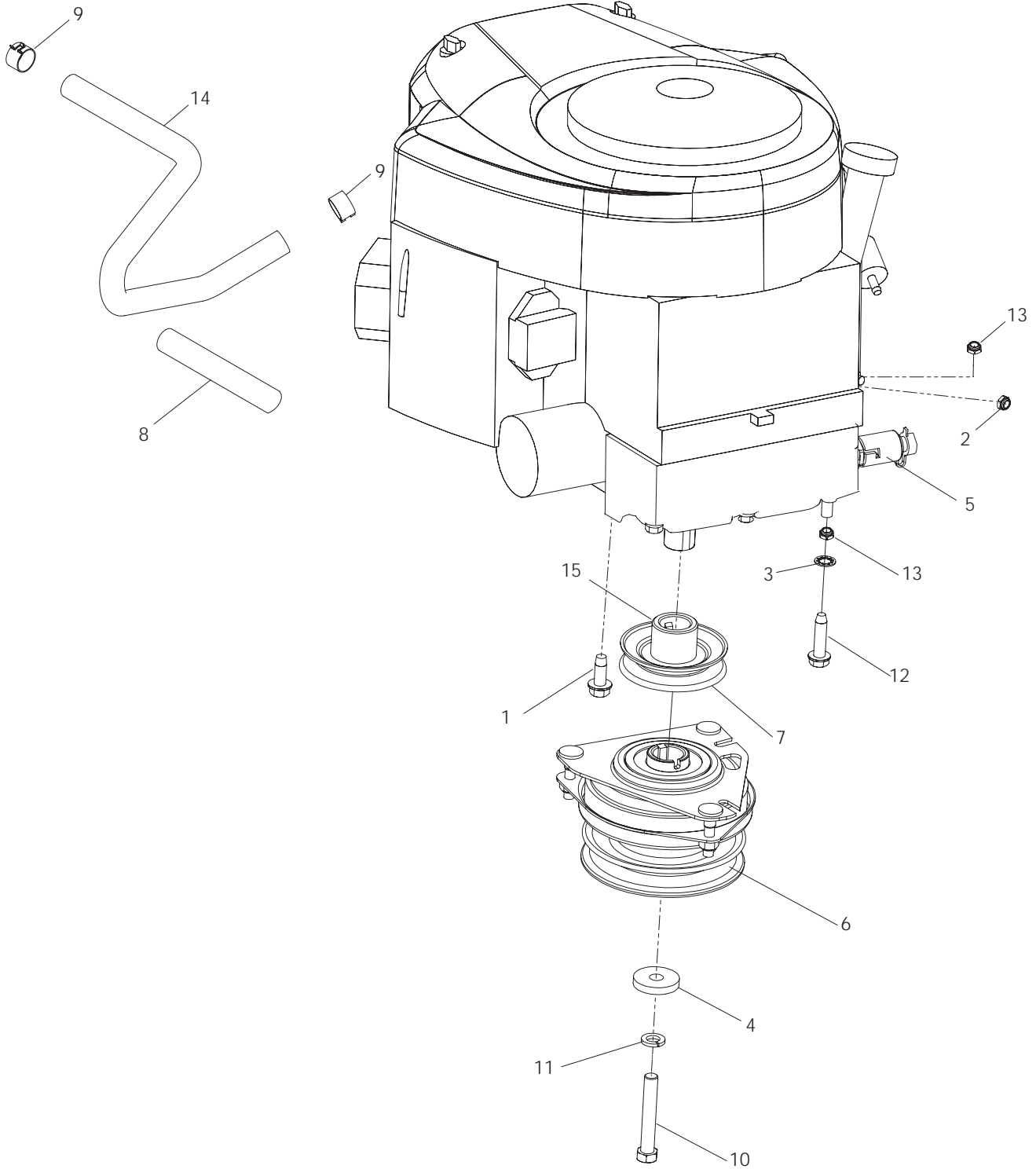


ENGINE

ITEM	PART NO.	QTY.	DESCRIPTION	ITEM	PART NO.	QTY.	DESCRIPTION
1...	539 107476	3...	BOLT, $\frac{3}{8}$ -16 x 1, THD FRM	8...	539 110425	1...	FUEL LINE, 5"
2...	539 108120	1...	NUT, $\frac{1}{4}$ -20, THIN, NYLOC	9...	539 912222	2...	CLAMP, HOSE
3...	539 110025	1...	BOLT, $\frac{3}{8}$ -16 x $1\frac{1}{2}$, THD FRM	10...	539 923388	1...	HCS, $\frac{7}{16}$ -20 x 3
4...	539 110064	1...	CLUTCH WASHER	11...	539 990247	1...	WASHER, $\frac{7}{16}$
5...	539 110093	1...	OIL DRAIN FITTING	12...	539 990390	1...	WASHER, $\frac{3}{8}$, ITLW
6...	539 110417	1...	CLUTCH	13...	539 990546	1...	NUT, $\frac{3}{8}$ -16, CENTERLOCK
7...	539 114530	1...	PULLEY	14...	539 114542	1...	SPACER, PULLEY
							NOT SHOWN
					...	539 111902	1... MUFFLER

ENGINE

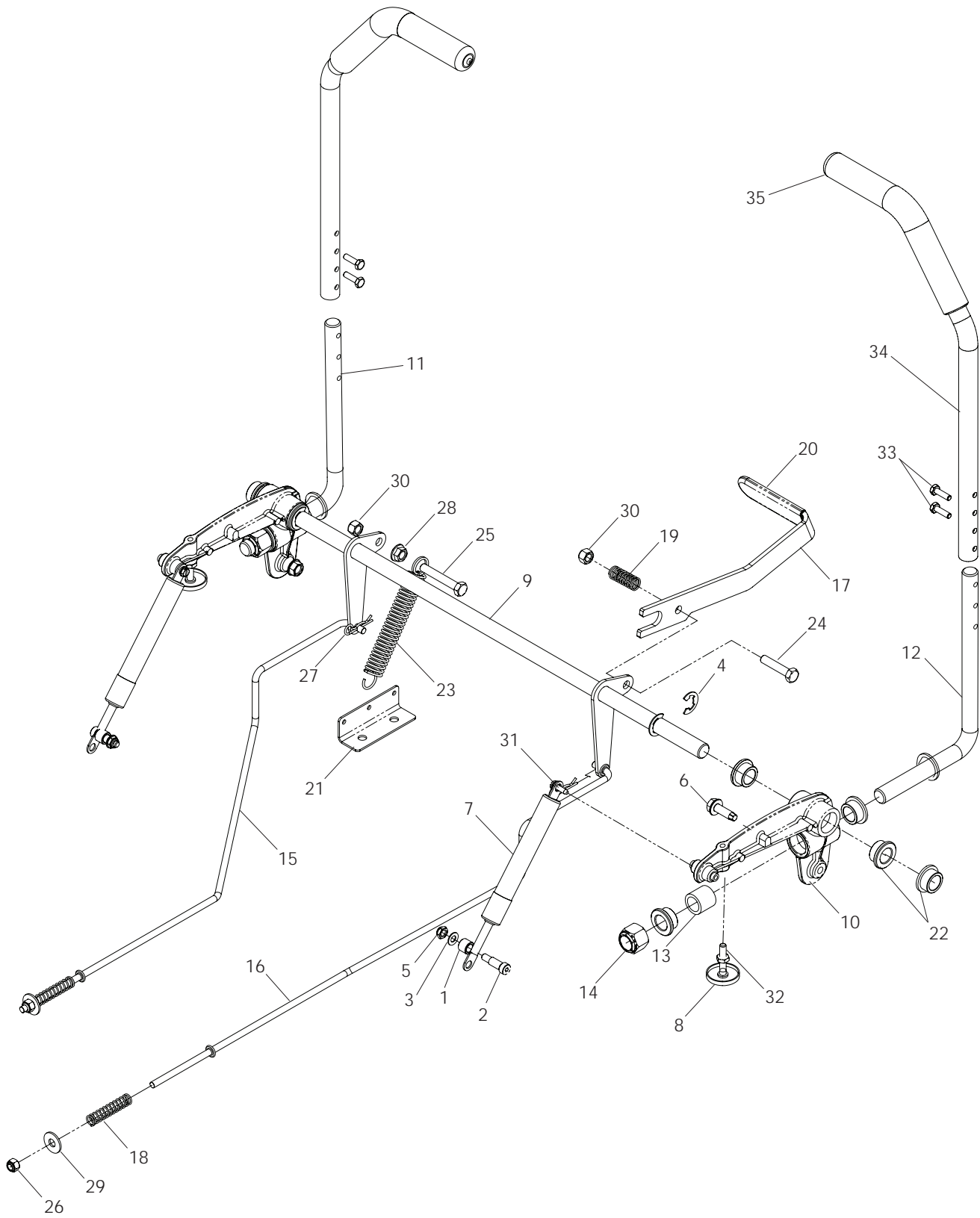
Briggs & Stratton 24 & 26 HP



ENGINE

ITEM	PART NO.	QTY.	DESCRIPTION	ITEM	PART NO.	QTY.	DESCRIPTION
1...	539 107476	3...	BOLT, $\frac{3}{8}$ -16 x 1, THRD FRM	12...	539 110025	1...	BOLT, $\frac{3}{8}$ -16 x 1½, THRD FRM
2...	539 108120	1...	NUT, $\frac{1}{4}$ -20, THIN, NYLOC	13...	539 976979	2...	NUT, $\frac{3}{8}$ -16, HEX NYLOC
3...	539 990390	1...	WASHER, $\frac{3}{8}$, ITLW	14...	539 108212	1...	FUEL LINE
4...	539 110064	1...	CLUTCH WASHER	15...	539 114542	1...	SPACER, ENGINE
5...	539 110093	1...	OIL DRAIN FITTING				NOT SHOWN
6...	532 110417	1...	CLUTCH	...	539 109843	1...	MUFFLER
7...	539 114530	1...	PULLEY	...	539 109844	1...	MANIFOLD
8...	539 110425	1...	FUEL LINE, 5"	...	539 109980	1...	MUFFLER CLAMP
9...	539 912222	4...	CLAMP, HOSE	...	539 107098	1...	CLAMP
10...	539 923388	1...	HCS, $\frac{7}{16}$ -20 x 3	...	539 107937	1...	OIL DRAIN HOSE
11...	539 990247	1...	WASHER, $\frac{7}{16}$				

STEERING

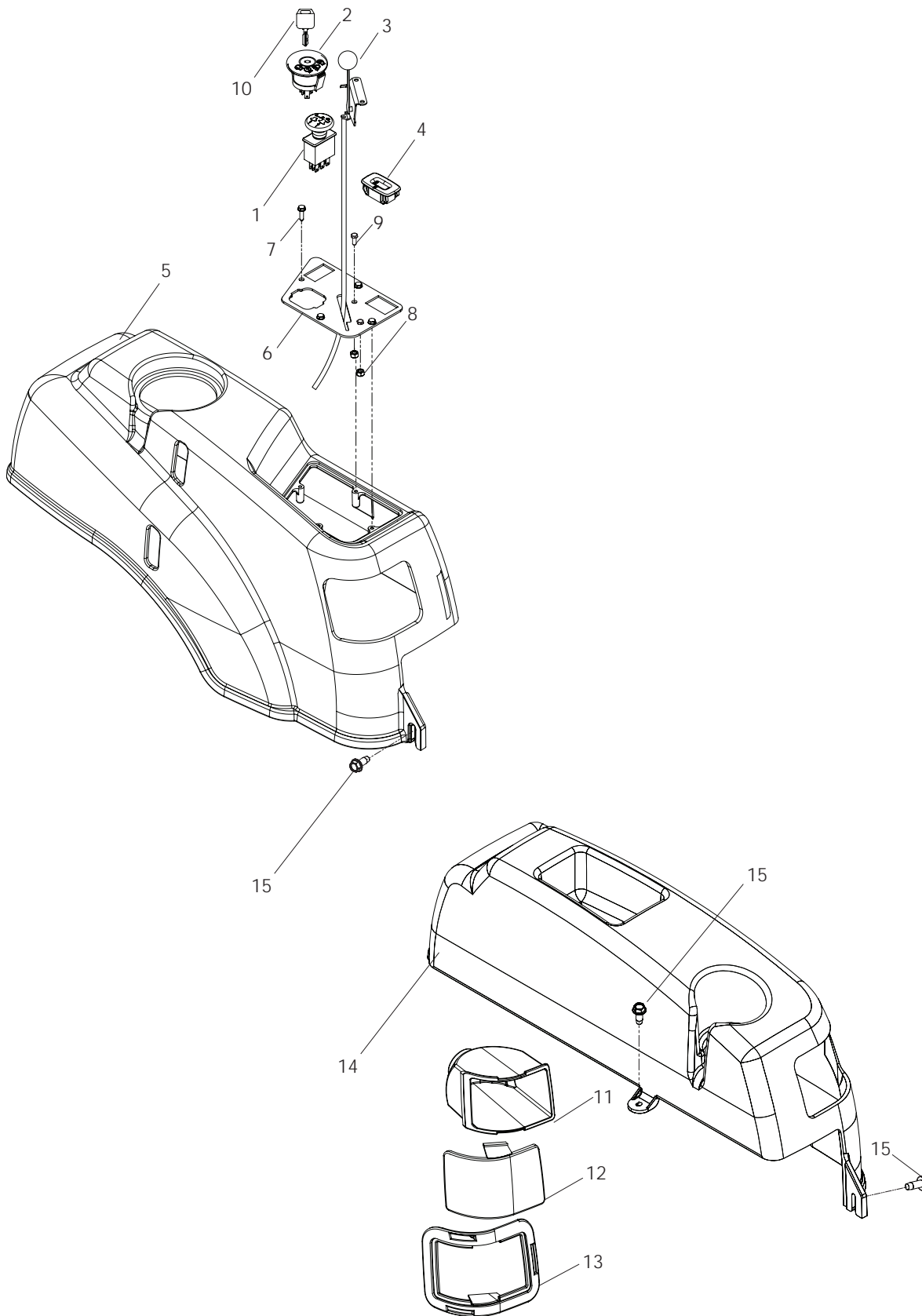


STEERING

ITEM	PART NO.	QTY.	DESCRIPTION	ITEM	PART NO.	QTY.	DESCRIPTION
1..	539 102827....	2 SPACER	19..	539 110477....	1 SPRING, BRAKE LEVER
2..	539 102828....	2 BOLT, $\frac{5}{16}$ -18 x $\frac{5}{8}$, SKT HD	20..	539 110478....	1 CAP, BRAKE LEVER
3..	539 103547....	2 WASHER, $\frac{1}{4}$	21..	539 110675....	1 SPRING BRACKET
4..	539 105069....	2 RING-E, $\frac{5}{8}$	22..	539 113121....	2 MOTION BUSHING
5..	539 108120....	2 NUT, $\frac{1}{4}$ -20, THIN, NYLOC	23..	539 916159....	1 SPRING, TRANS
6..	539 108460....	2 BOLT, $\frac{5}{16}$ -18 x $1\frac{1}{4}$	24..	539 976935....	1 HCS, $\frac{5}{16}$ -18 x $1\frac{1}{2}$
7..	539 108793....	2 DAMPENER	25..	539 976937....	1 HCS, $\frac{5}{16}$ -18 x 2
8..	539 110021....	2 POST, RETURN	26..	539 976978....	2 NUT, $\frac{1}{4}$ -20, NYLOC
9..	539 110142....	1 SHAFT, MOTION	27..	539 976988....	2 PIN HAIR, .073 x $1\frac{7}{16}$
10..	539 110145....	1 MOTION CASTING	28..	539 990585....	1 NUT, $\frac{5}{16}$ -18, WHIZLK
11..	539 110233....	1 MOTION CONTROL ARM, LT	29..	539 990692....	2 WASHER, $\frac{5}{16}$
12..	539 110236....	1 MOTION CONTROL ARM, RT	30..	539 990717....	2 NUT, $\frac{5}{16}$ -18, NYLOC
13..	539 110430....	1 BUSHING	31..	539 991034....	2 SCRW, #10-24 x $\frac{5}{8}$, WSH HD
14..	539 110340....	1 NUT, $\frac{5}{8}$ -11, NYLOC	32..	539 991112....	2 NUT, $\frac{1}{4}$ -20, JAM
15..	539 110268....	1 BRAKE ROD, RT	33..	539 990643....	4 HCS, $\frac{1}{4}$ -20 x $\frac{7}{8}$
16..	539 110269....	1 BRAKE ROD, LT	34..	539 110338....	2 CONTROL LEVER
17..	539 110282....	1 BRAKE LEVER	35..	539 110337....	2 GRIP, CONTROL LEVER
18..	539 110342....	2 SPRING				

IGNITION SYSTEM

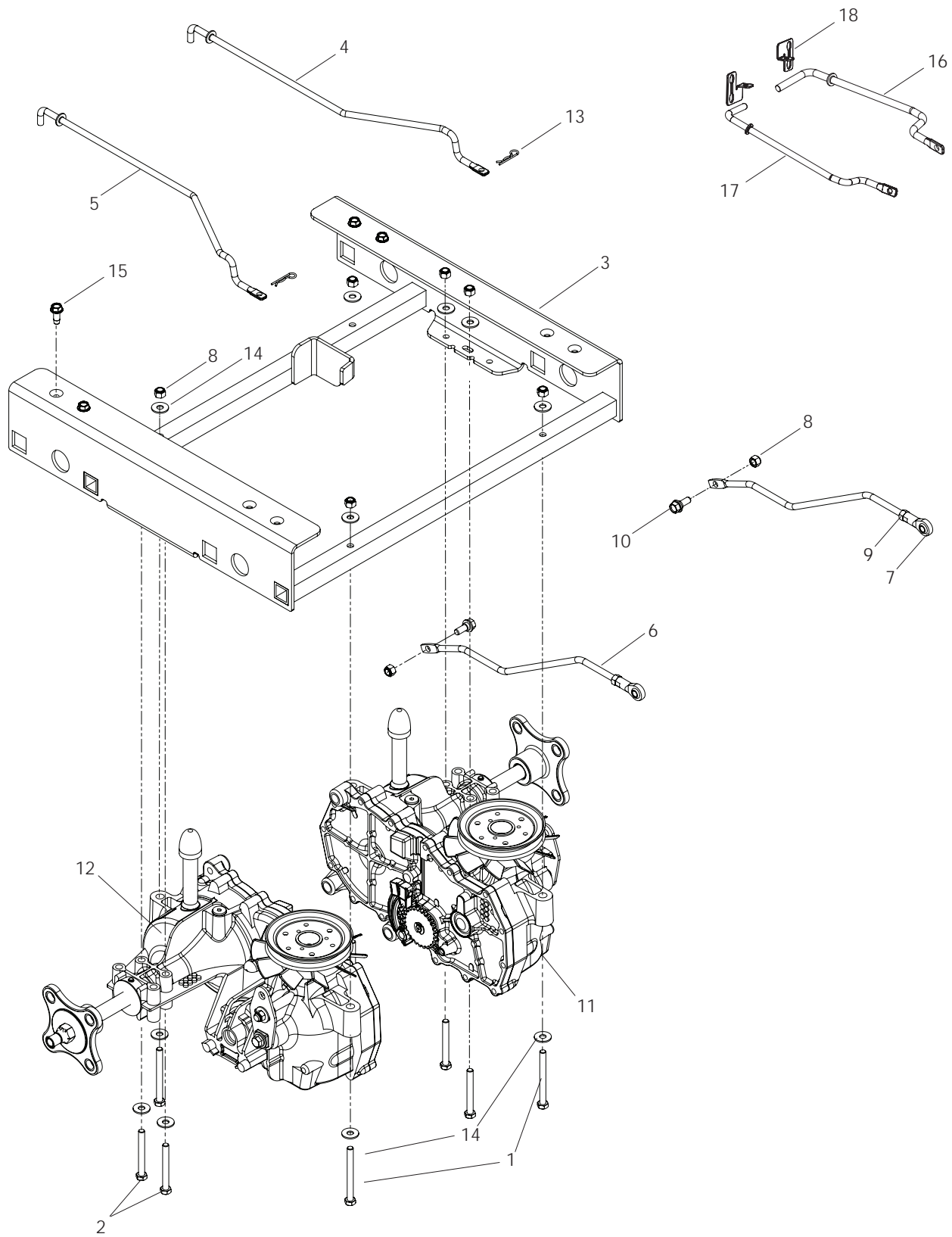
Models 968999281, 968999511, 968999655, 968999656,
968999685, 968999763 968999764



IGNITION SYSTEM

ITEM	PART NO.	QTY.	DESCRIPTION	ITEM	PART NO.	QTY.	DESCRIPTION
1..	539 101768....	1BLADE SWITCH	12..	539 110056....	1LENS, COLORED, LT
2..	539 107541....	1IGNITION SWITCH		539 110057....	1LENS, COLORED, RT
3..	539 107583....	1THROTTLE CABLE	13..	539 110451....	1RIM, HEADLIGHT, RT
4..	539 110074....	1HOUR METER		539 110455....	1RIM, HEADLIGHT, LT
5..	539 130375....	1FENDER, CONSOLE	14..	539 130374....	1FENDER, LT
6..	539 110305....	1CONSOLE PLATE	15..	539 990362..	10SCREW, 1/4-20 x 5/8, SLF TAP
7..	539 110673....	4SCRW, #10-12 x 3/4, WSH HD		NOT SHOWN		
8..	539 976977....	2NUT, #10-24, NYLOC		539 110471....	1HEADLIGHT HARNESS
9..	539 990411....	2SCREW, #10-24 x 1/2				
10..	539 107544....	1KEY				
11..	539 110456....	1HEADLIGHT REFLECTOR, LT				
	539 110452....	1HEADLIGHT REFLECTOR, RT				

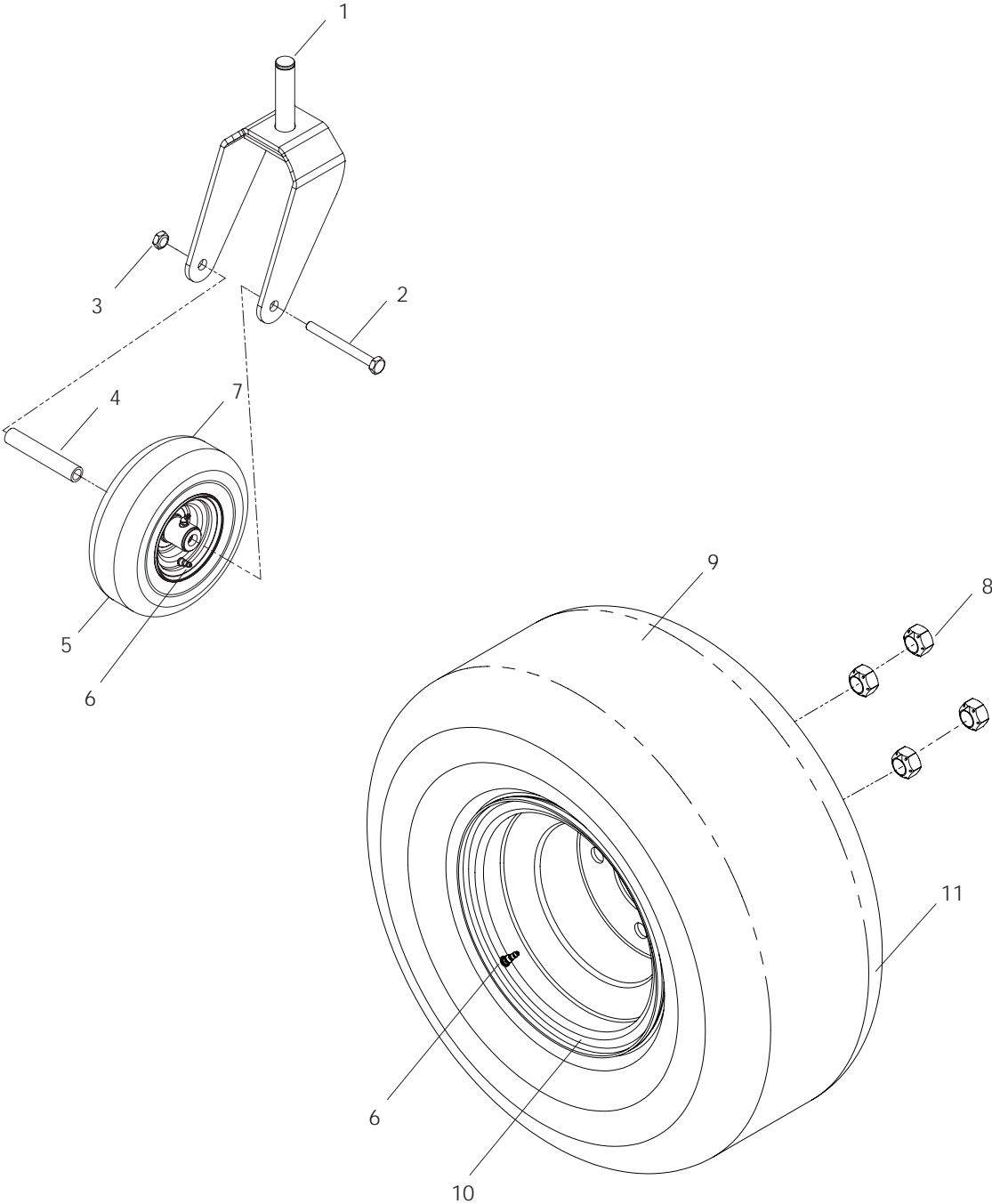
HYDRAULIC PUMP-MOTOR



HYDRAULIC PUMP-MOTOR

ITEM	PART NO.	QTY.	DESCRIPTION	ITEM	PART NO.	QTY.	DESCRIPTION
1..	539 101520....4	HCS, $\frac{5}{16}$ -18 x $3\frac{1}{4}$	10..	539 110303....2	BOLT, SHOULDER, $\frac{5}{16}$
2..	539 101721....4	HCS, $\frac{5}{16}$ -18 x $2\frac{3}{4}$	11..	539 110486....1	EZT, LT
3..	539 110016....1	SUB FRAME	12..	539 110487....1	EZT, RT
4..	539 110270....1	BYPASS LINKAGE, LT	13..	539 976988....2	PIN HAIR, .073 x $1\frac{7}{16}$
5..	539 110271....1	BYPASS LINKAGE, RIT	14..	539 990692..16	WASHER, $\frac{5}{16}$
6..	539 110273....2	MOTION CNTRL ROD ASSM	15..	539 990369....4	SCREW, $\frac{5}{16}$ -18 x 1 THD CUT
7..	539 102590....1	END BALL, RT	16..	539 131616....1	LINKAGE, BYPASS LT
8..	539 990717....6	NUT, $\frac{5}{16}$ -18, NYLOC	17..	539 131618....1	LINKAGE, BYPASS RT
9..	539 990223....1	NUT, $\frac{5}{16}$ -24	18..	539 131093....2	BRACKET, BYPASS

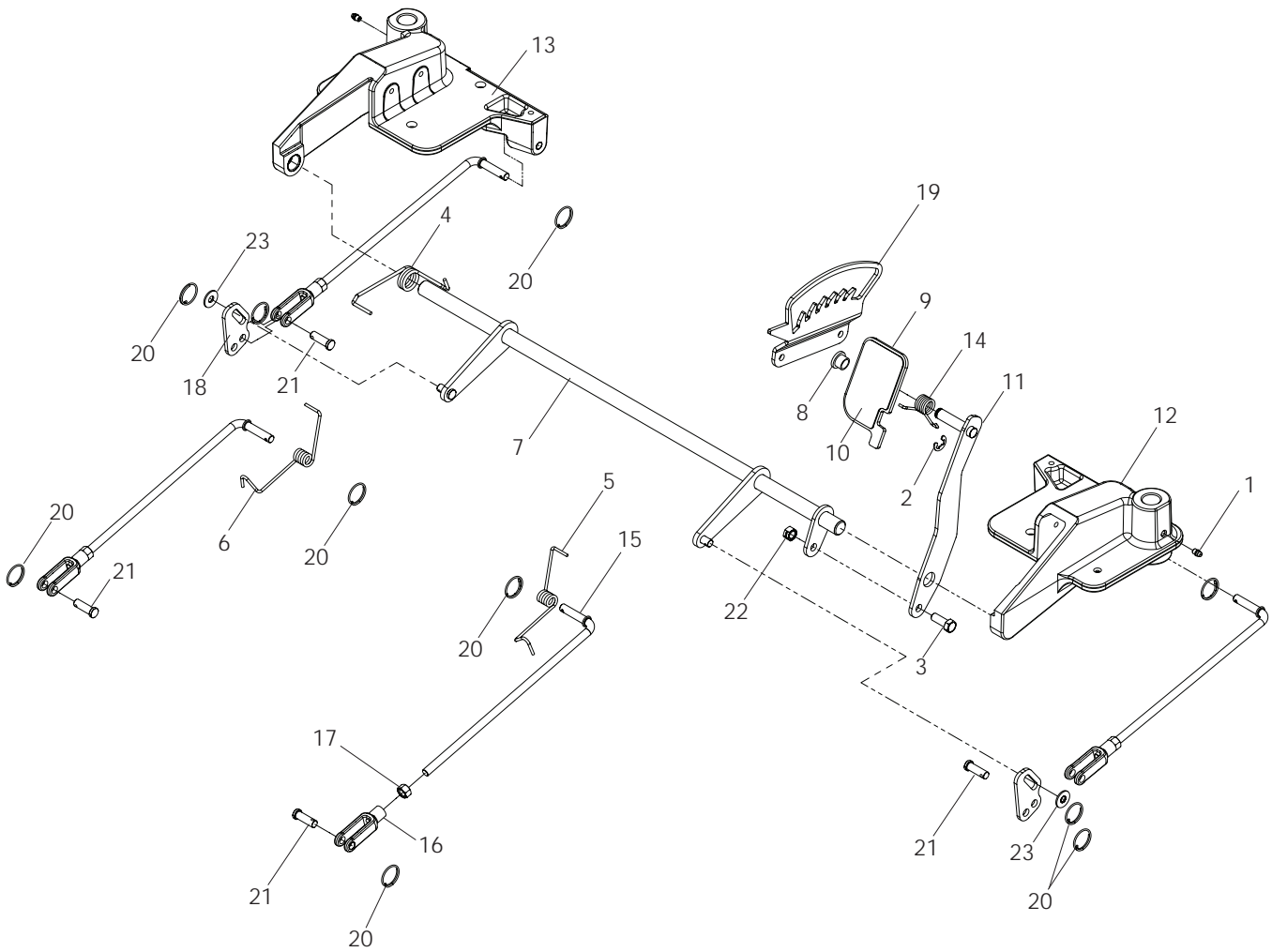
WHEELS AND TIRES



WHEELS AND TIRES

ITEM	PART NO.	QTY.	DESCRIPTION	ITEM	PART NO.	QTY.	DESCRIPTION
1..	539 107494.....	2CASTER	10..	539 112217.....	2RIM 18 x 7.5-8 MODELS 968999508, 968999512, 968999517, 968999765
2..	539 101907.....	2HCS, ½-13 x 5½				
3..	539 101331.....	2NUT, ½-13, NYLOC				
4..	539 105543.....	2SPACER	11..	539 131997.....	2TIRE, 20 x 10-8 MODELS 968999508, 968999512, 968999517
5..	539 110333.....	2CASTER WHEEL ASSM				
6..	539 912234.....	4VALVE STEM				
7..	539 106995.....	2TIRE 11 x 3.5-5	539 130822.....	2TIRE, 18 x 9.5-8 MODEL 968999765	
8..	539 101173.....	8LUG NUT				
9..	539 110253.....	2RR WHEEL ASSM 18 x 7.5-8 MODELS 968999511, 968999656, 968999763, 968999764				
	539 131996.....	2RR WHEEL ASSM 20 x 10-8 MODELS 968999508, 968999512, 968999517				
	539 110470.....	2RR WHEEL ASSM 18 x 8.5-8 MODELS 968999655, 968999685				
	539 130820.....	2RR WHEEL ASSM 18 x 9.5-8 MODEL 968999765				

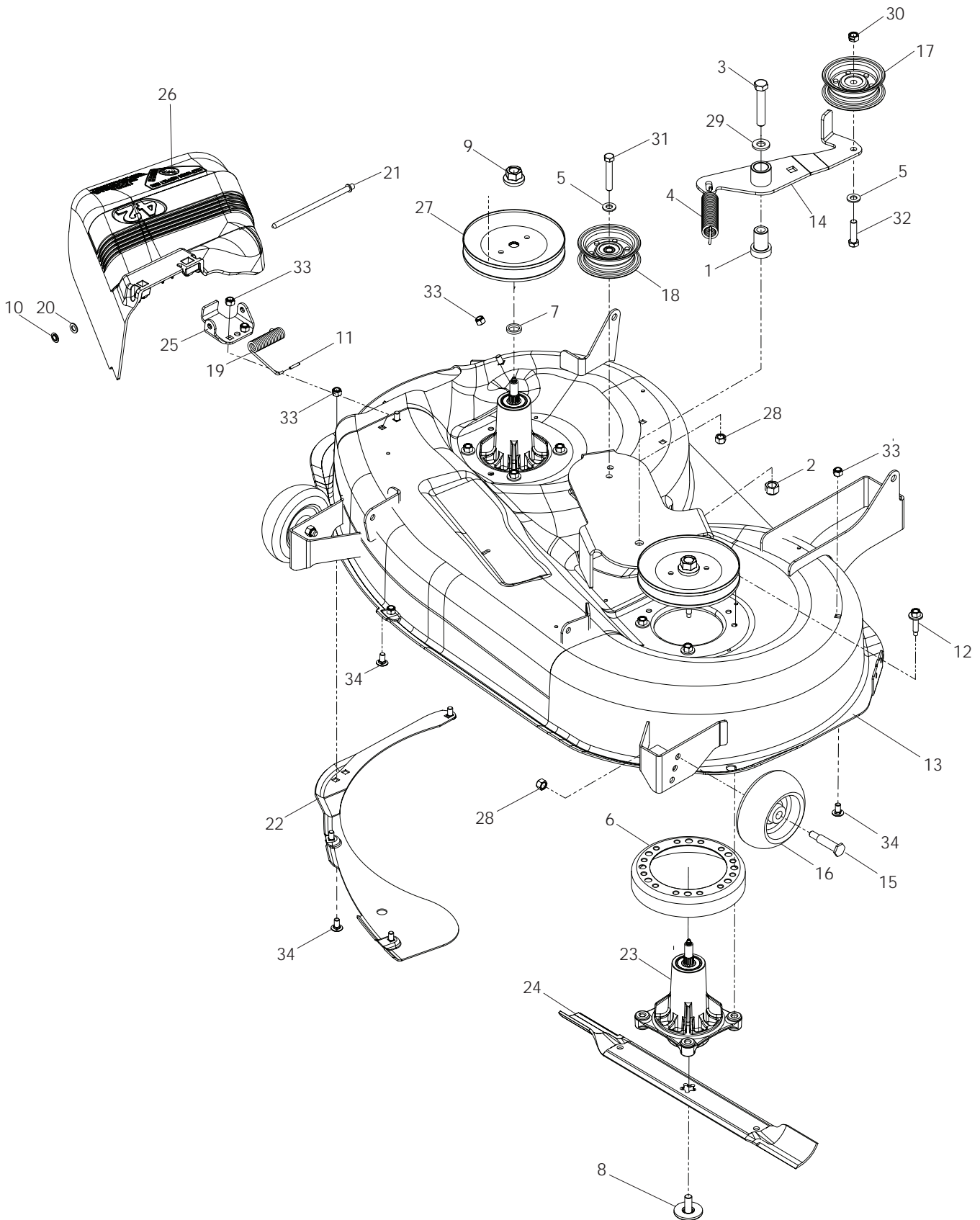
MOWER LIFT / DECK LIFT



MOWER LIFT / DECK LIFT

ITEM	PART NO.	QTY.	DESCRIPTION	ITEM	PART NO.	QTY.	DESCRIPTION
1..	539 101474....	2	ZERK	13..	539 110288....	1	CASTER CASTING, LEFT
2..	539 101949....	1	RING-E, 1/2	14..	539 110295....	1	SPRING, PEDAL, LIFT
3..	539 106791....	1	HCS, 3/8-16 x 1, GR8	15..	539 110306....	1	DECK LIFT ROD
4..	539 110071....	1	TORSION SPRING	16..	539 977465....	1	YOKE, 3/8-24
5..	539 110160....	1	SPRING, DECK ROD, RIGHT	17..	539 990155....	1	NUT, 3/8-24, GR2
6..	539 110161....	1	SPRING, DECK ROD, LEFT	18..	539 113239....	2	CONNECTOR, DECK LIFT
7..	539 110205....	1	DECK LIFT	19..	539 113931....	1	HEIGHT PLATE, DECK
8..	539 100032....	2	BUSHING, NYLON	20..	539 916459..	10	RING-RETAINING
9..	539 110292....	1	FOOT PEDAL	21..	539 977703....	4	PIN CLEVIS, 3/8 x 1 1/8
10..	539 110308....	1	FOOT PAD, NON-SLIP	22..	539 990546....	1	NUT, 3/8-16, CENTERLOCK
11..	539 110266....	1	LIFT FOOT LEVER	23..	539 990692....	2	WASHER, 5/16
12..	539 110287....	1	CASTER CASTING, RIGHT				

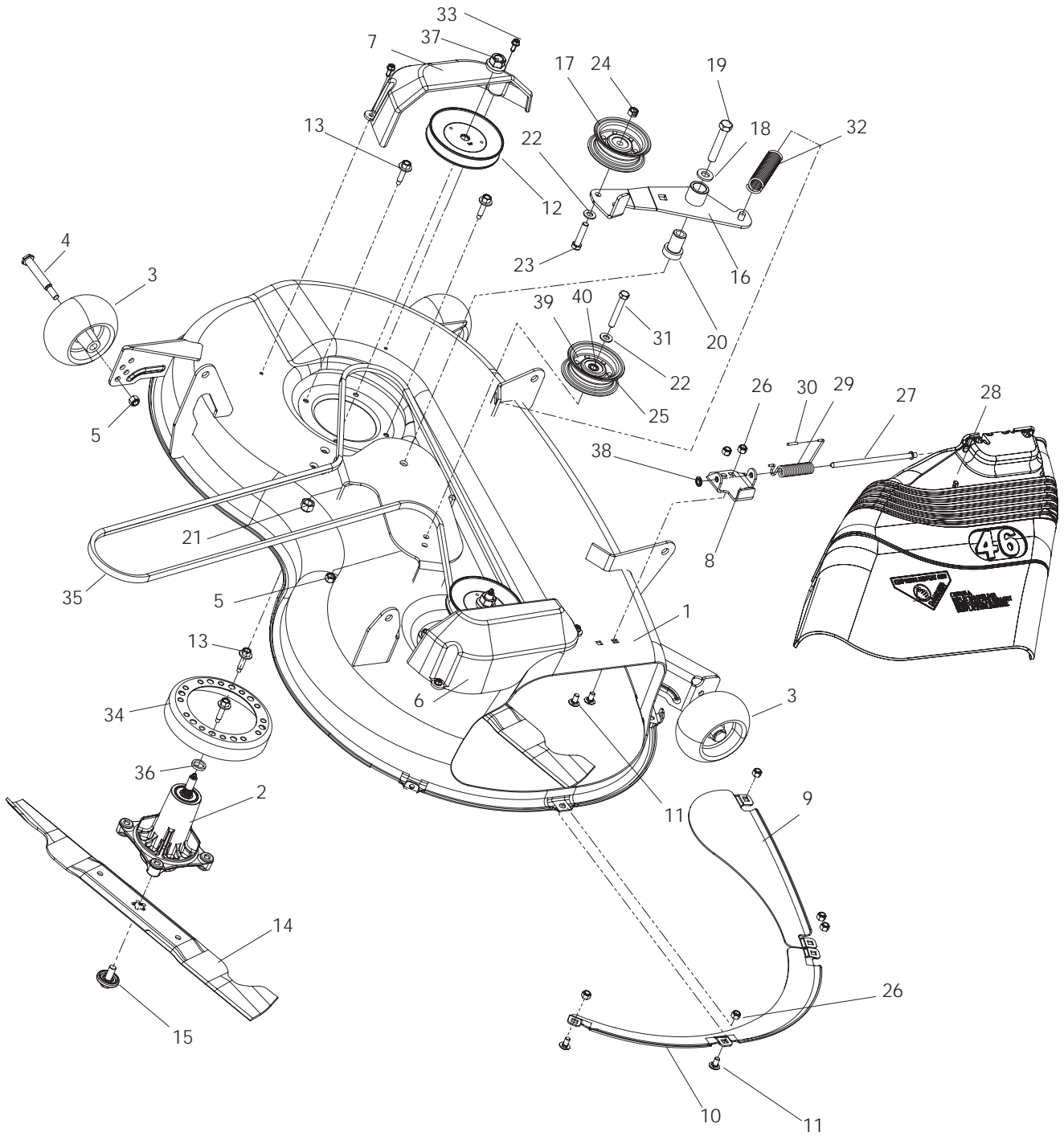
42" CUTTING DECK



42" CUTTING DECK

ITEM	PART NO.	QTY.	DESCRIPTION	ITEM	PART NO.	QTY.	DESCRIPTION
1..	539 101231....	1	SPINDLE-IDLER	19..	539 110328....	1	SPRING, TORSION
2..	539 101331....	1	NUT, ½-13, NYLOC	20..	539 110331....	1	WASHER, 11/32
3..	539 101332....	1	HCS, ½-13 x 2¾	21..	539 110462....	1	ROD, HINGE
4..	539 101977....	1	SPRING-TRAC	22..	539 110463....	1	BAFFLE
5..	539 990122....	2	WASHER, ¾, SAE	23..	539 112057....	2	MANDREL
6..	539 107518....	2	STRIPPER, ROUND	24..	539 110460....	2	BLADE
7..	539 107520....	2	WASHER, .675	25..	532 192557....	1	BRACKET, DEFLECTOR
8..	532 193003....	2	BOLT ASSM	26..	532 193108....	1	DEFLECTOR
9..	539 107590....	2	NUT, 9/16, CENTERLOCK	27..	532 195945....	2	PULLEY, MANDREL
10..	539 107626....	1	NUT, 5/16, PUSH	28..	539 976979....	3	NUT, ¾-16, NYLOC
11..	539 107627....	1	CAP-SLEEVE	29..	539 990250....	1	WASHER, ½
12..	539 107630....	8	SCRW, 5/16-18 x 1¾, WSH HD	30..	539 990546....	1	NUT, ¾-16, CENTERLOCK
13..	539 110528....	1	DECK W/DECALS	31..	539 990629....	1	HCS, ¾-16 x 2¼
14..	539 110217....	1	IDLER ARM	32..	539 990655....	1	HCS, ¾-16 x 1½
15..	539 110222....	2	BOLT, SHOULDER	33..	539 990717....	7	NUT, 5/16-18, NYLOC
16..	539 110289....	2	WHEEL, GAUGE	34..	539 990799....	7	RHSNB, 5/16-18 x 5/8
17..	539 110316....	1	PULLEY, IDLER, SHORT				NOT SHOWN
18..	539 110317....	1	IDLER PULLEY		539 102548....	1	BELT

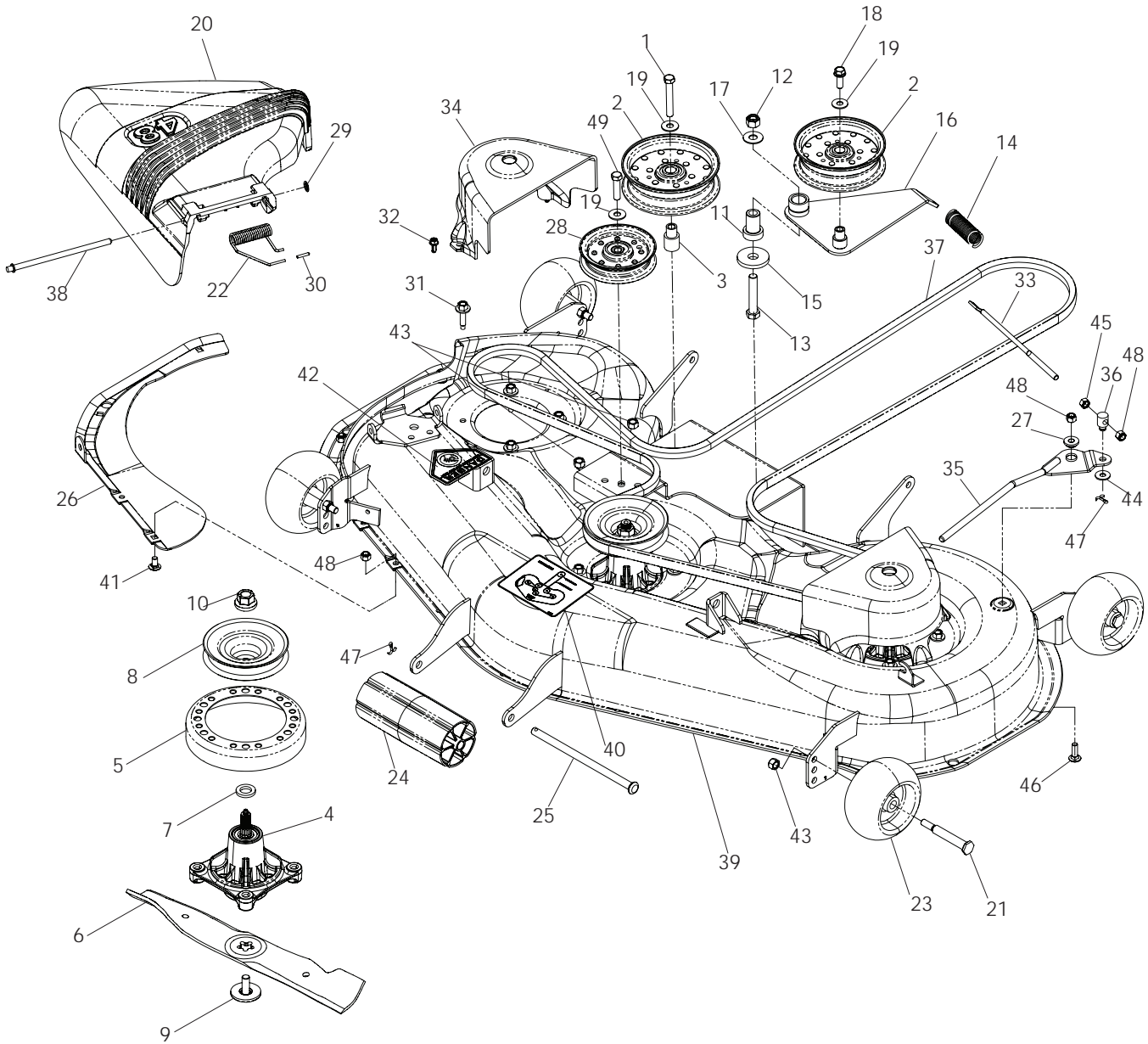
46" CUTTING DECK



46" CUTTING DECK

ITEM	PART NO.	QTY.	DESCRIPTION	ITEM	PART NO.	QTY.	DESCRIPTION
1...	539 131485	.. 1 ..	DECK W/DECALS	21...	539 101331	.. 1 ..	NUT ½ HEX NYLOC ZD
2...	539 112057	.. 2 ..	MANDREL	22...	539 990122	.. 2 ..	WASHER, ⅜ SAE FLT ZD
3...	539 107610	.. 3 ..	WHEEL, GAUGE	23...	539 990730	.. 1 ..	HCS ⅜-16 X 1¾ ZD
4...	539 107608	.. 3 ..	BOLT, SHOULDER	24...	539 990546	.. 1 ..	NUT, ⅜-16 HEX CNTRLK ZD
5...	539 976979	.. 4 ..	NUT ⅜-16 HEX NYLOC ZD	25...	539 110317	.. 1 ..	PULLEY ASSEMBLY, IDLER
6...	532 405506	.. 1 ..	SHIELD, BELT RH	26...	539 990717	.. 7 ..	NUT ⅝-16 HEX NYLOC ZD
7...	532 405507	.. 1 ..	SHIELD, BELT LH	27...	539 110462	.. 1 ..	ROD, HINGE
8...	532 192557	.. 1 ..	BRACKET, DEFLCTR, 38/42	28...	532 405357	.. 1 ..	SHIELD, DEFLECTOR
9...	532 403149	.. 1 ..	BAFFLE, FRONT	29...	539 110328	.. 1 ..	SPRING, TORSION
10...	532 403150	.. 1 ..	BAFFLE, FRONT RH	30...	539 107627	.. 1 ..	CAP-SLEEVE
11...	539 990799	.. 7 ..	RHSNB ⅝-16 X ⅝ ZN	31...	539 990637	.. 1 ..	HCS ⅜-16 X 2½ ZD
12...	539 112171	.. 2 ..	PULLEY, MANDREL	32...	539 101977	.. 1 ..	TRACTION SPRING
13...	539 107630	.. 8 ..	SCREW, WASHER HEAD	33...	539 107631	.. 4 ..	SCREW, THDRLL, ¼ -20 x ⅝
14...	532 405380	.. 2 ..	BLADE, 46" HI-LIFT	34...	539 107518	.. 2 ..	STRIPPER, ROUND, UNIV
15...	532 193003	.. 2 ..	BOLT	35...	539 117811	.. 1 ..	BELT, DECK
16...	539 110217	.. 1 ..	IDLER ARM	36...	539 107520	.. 2 ..	WASHER-SPACER
17...	539 110316	.. 1 ..	PULLEY, DECK IDLER	37...	539 107590	.. 2 ..	NUT, ⅞ TOP CENTER LOCK
18...	539 990250	.. 1 ..	WASHER - SAE .531 X 1.062	38...	539 107626	.. 1 ..	PUSHNUT
19...	539 101332	.. 1 ..	HCS ½-13 X 2¾ GD 5 ZD	39...	539 110080	... 1...	PULLEY, IDLER
20...	539 101231	.. 1 ..	IDLER SPINDLE	40...	539 110081	... 1...	BEARING INSERT

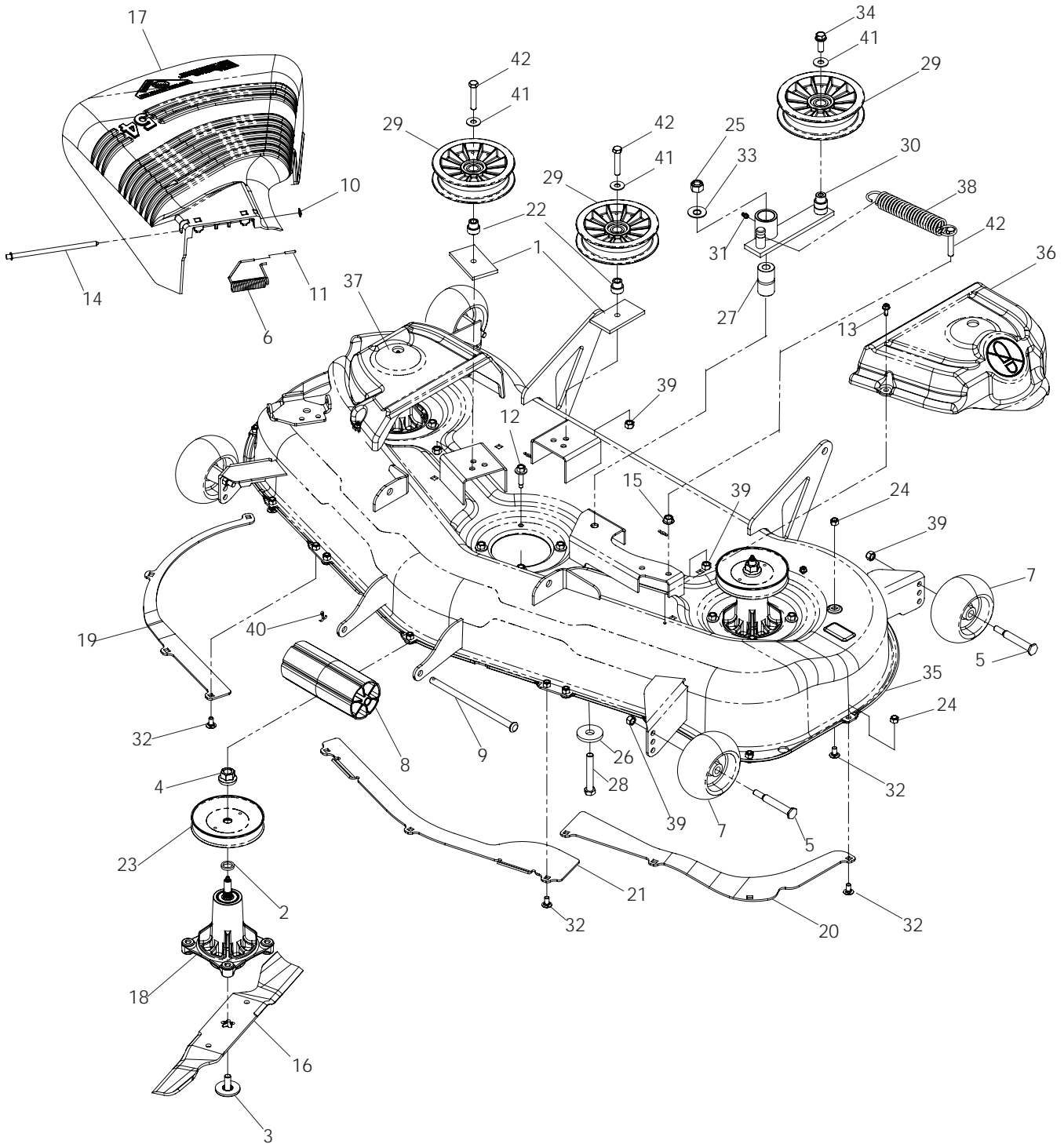
48" CUTTING DECK



48" CUTTING DECK

ITEM	PART NO.	QTY.	DESCRIPTION	ITEM	PART NO.	QTY.	DESCRIPTION
1	539 102612	1	HCS, 3/8-16 x 2 3/4	27	539 107617	1	BUSHING
2	539 103257	2	PULLEY, IDLER	28	539 107620	1	PULLEY IDLER FLAT
3	539 103295	1	BUSHING, IDLER	29	539 107626	1	NUT, 5/16 PUSH
4	539 107515	3	CUTTER HOUSING	30	539 107627	1	CAP-SLEEVE
5	539 107518	3	STRIPPER, ROUND	31	539 107630	12	SCREW, 5/16-18 x 1 3/8
6	539 107519	3	BLADE, HIGH LIFT	32	539 107631	4	SCREW, 1/4-20 x 5/8 THDROLL
7	539 107520	6	WASHER, .675	33	539 107803	1	TENSION RELIEF LINKAGE
8	539 107521	3	PULLEY, DRIVEN	34	539 108025	2	BELTSCHILD
9	539 107522	3	BOLT, 7/16, SPEC	35	539 108668	1	TENSION RELIEF LEVER
10	539 107590	3	NUT, 9/16, CENTERLOCK	36	539 108883	1	SWIVEL
11	539 101231	1	SPINDLE, IDLER	37	539 109243	1	BELT
12	539 101331	1	NUT, 1/2-13, NYLOC	38	539 110462	1	ROD, HINGE
13	539 101572	1	HCS, 1/2-13 x 3	39	539 112721	1	DECK W/DECALS
14	539 101977	1	SPRING, TRAC	40	539 113942	1	DECAL, BELT ROUTING
15	539 102243	1	WASHER, .65	41	539 990799	3	RHSNB, 5/16-18 x 5/8
16	539 109780	1	DECK IDLER ARM	42	539 913010	1	DECAL, WARNING
17	539 990550	1	WASHER, 9/16	43	539 976979	6	NUT, 3/8-16, NYLOC
18	539 990582	1	HCS, 3/8-16 x 1	44	539 990122	1	WASHER, 3/8, SAE
19	539 990692	1	WASHER, 5/16	45	539 990196	1	NUT, 5/16-18
20	539 107604	1	DISCHARGE CHUTE	46	539 990208	1	RHSNB, 5/16-18 x 1
21	539 107608	4	SB, 1/2 x 2 5/8, SPEC	47	539 990365	2	PIN COTTER, 1/8 x 3/4
22	539 107609	1	SPRING, TORSION	48	539 990717	5	NUT, 5/16-18, NYLOC
23	539 107610	4	WHEEL, GAUGE	49	539 990730	1	HCS, 3/8-16 x 1 3/4
24	539 107612	1	ROLLER, NOSE	NOT SHOWN			
25	539 107613	1	ROD, ROLLER, NOSE	...	539 200684	2	RIVET, 3/16
26	539 107614	1	BAFFLE				

54" CUTTING DECK

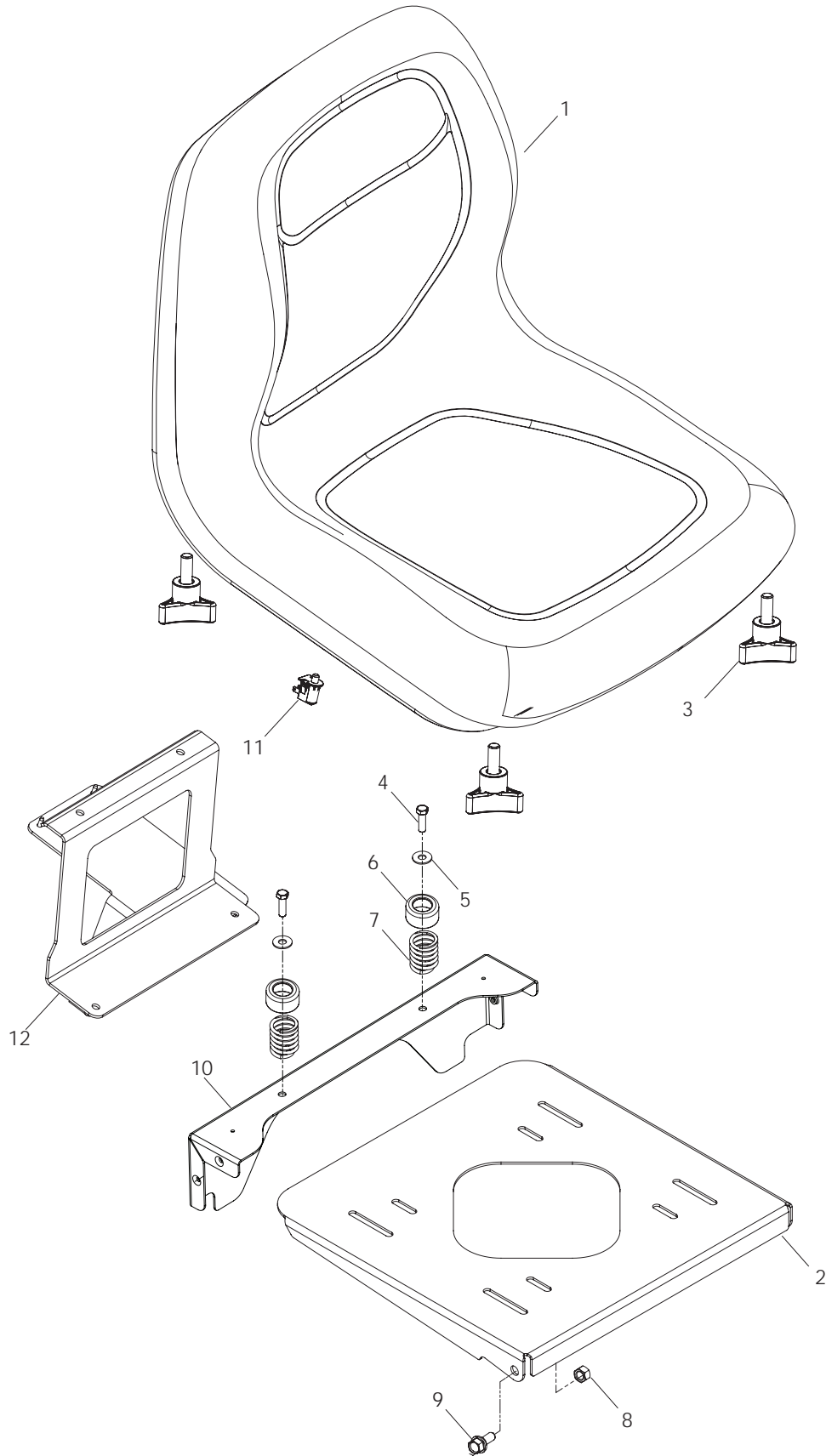


54" CUTTING DECK

ITEM	PART NO.	QTY.	DESCRIPTION	ITEM	PART NO.	QTY.	DESCRIPTION
1...	539 103303	2...	PAD	23...	539 112171	3...	PULLEY
2...	539 107520	3...	WASHER, .675, SPACER	24...	539 990717	12...	NUT, ⁵ / ₁₆ -18, NYLOC
3...	532 174365	3...	BOLT, ⁷ / ₁₆ , SPEC	25...	539 101331	1...	NUT, ¹ / ₂ -13, NYLOC
4...	539 107590	3...	NUT, ⁹ / ₁₆ , TOP CENTERLOCK	26...	539 102243	1...	WASHER, .65, SUPPORT
5...	532 137644	4...	SB, ¹ / ₂ x 2 ⁵ / ₈ , SPEC	27...	539 103427	1...	BUSHING, PIVOT
6...	539 107609	1...	SPRING, TORSION	28...	539 103433	1...	HCS, ¹ / ₂ -13 x 3 ¹ / ₄
7...	532 133957	4...	WHEEL, GAUGE	29...	539 131148	3...	IDLER PULLEY, NYLON
8...	532 176066	1...	ROLLER, NOSE	30...	539 112198	1...	IDLER ARM
9...	539 107613	1...	ROD, ROLLER, NOSE	31...	539 976998	1...	ZERK, STRAIGHT, ¹ / ₄ -28
10...	539 107626	1...	NUT, ⁵ / ₁₆ , PUSH	32...	539 990799	13...	RHSNB, ⁵ / ₁₆ -18 x ⁵ / ₈
11...	539 107627	1...	CAP-SLEEVE	33...	539 990550	1...	WASHER, .562
12...	539 107630	12...	SCREW, ⁵ / ₁₆ -18 x 1 3/8	34...	539 990582	1...	HCS, ³ / ₈ -16 x 1, WHIZLK
13...	539 107631	4...	SCREW, ¹ / ₄ -20 x ⁵ / ₈ , TDROLL	35...	539 114046	1...	DECK W/DECALS
14...	532 131491	1...	ROD, HINGE	36...	539 113557	1...	BELT SHIELD, LEFT
15...	539 990613	1...	NUT, ³ / ₈ -16, WHIZLK	37...	539 113558	1...	BELT SHIELD, RIGHT
16...	539 112053	3...	BLADE, STANDARD	38...	539 113934	1...	SPRING
17...	539 112054	1...	DEFLECTOR	39...	539 976979	7...	NUT, ³ / ₈ -16, NYLOC
18...	539 112057	3...	MANDREL	40...	539 990365	1...	PIN COTTER, ¹ / ₈ x ³ / ₄
19...	539 112059	1...	BAFFLE, RIGHT	41...	539 990517	2...	WASHER, ³ / ₈
20...	539 112060	1...	BAFFLE, LEFT	42...	539 990588	3...	HCS, ³ / ₈ -16 x 2
21...	539 112062	1...	BAFFLE, CENTER	NOT SHOWN			
22...	539 112076	2...	IDLER BUSHING	...	539 110832	1...	DECK BELT

SEAT

For Units With Serial Number Before 0752xxxxx



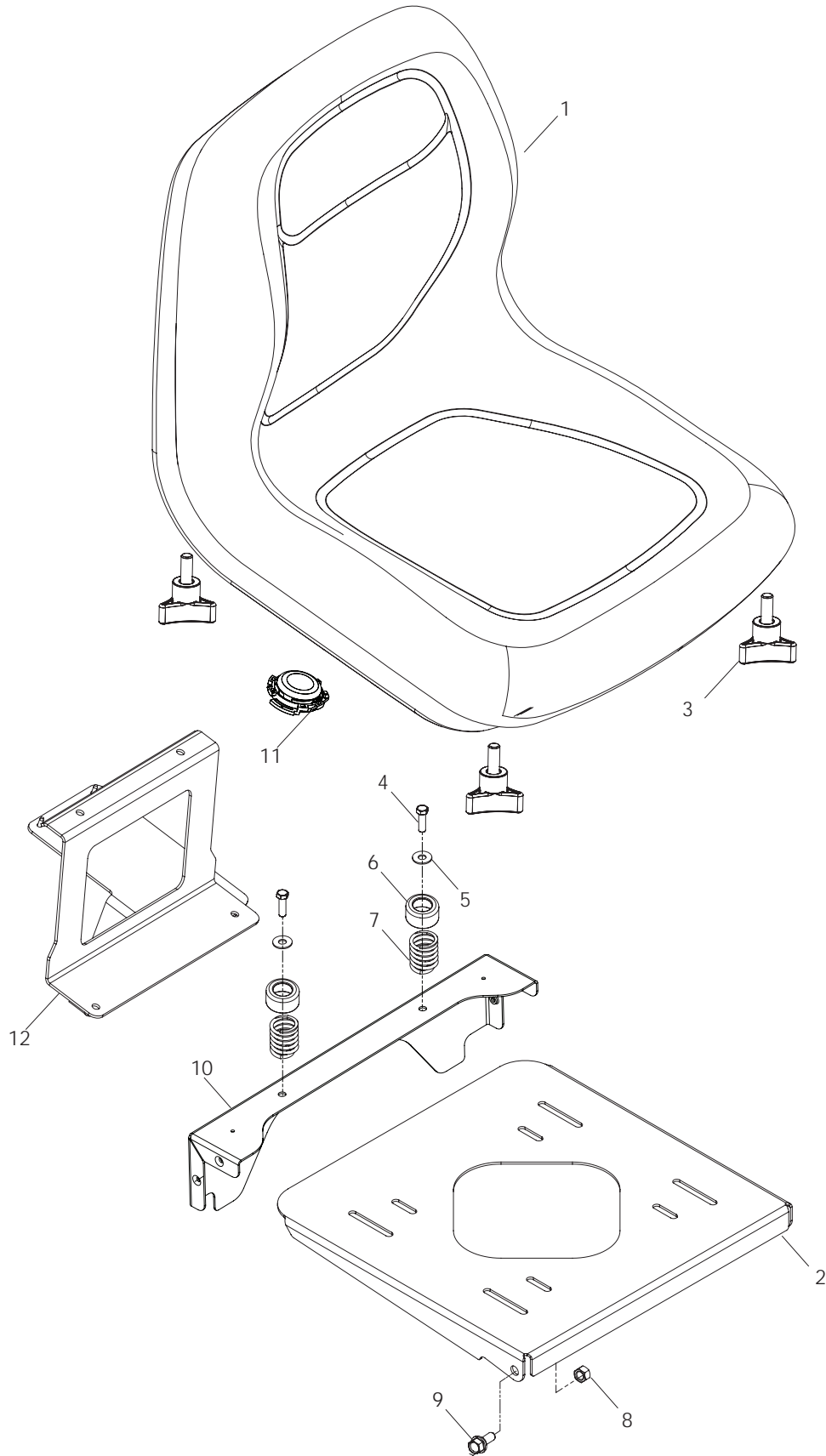
SEAT

ITEM	PART NO.	QTY.	DESCRIPTION
1..	539 112700	...1 ...	SEAT
	539 1126991	SEAT Models 968999511, 968999763
2..	539 1126941	SEAT MOUNT
3..	539 1044114	KNOB W/STUD
4..	539 1103032	BOLT, $\frac{5}{16}$, SHOULDER
5..	539 9905172	WASHER, $\frac{3}{8}$
6..	539 1103012	CAP, SPRING COVER

ITEM	PART NO.	QTY.	DESCRIPTION
7..	539 1103002	SPRING, SEAT
8..	539 9907172	NUT, $\frac{5}{16}$ -18, NYLOC
9..	539 9769412	HCS, $\frac{3}{8}$ -16 x $1\frac{1}{4}$
10..	539 1101261	REAR SEAT SUPPORT
11..	539 1075231	SWITCH, SEAT
12..	539 1121491	BRACKET, FRONT SUPPORT

SEAT

For Units With Serial Number After 0752xxxxx

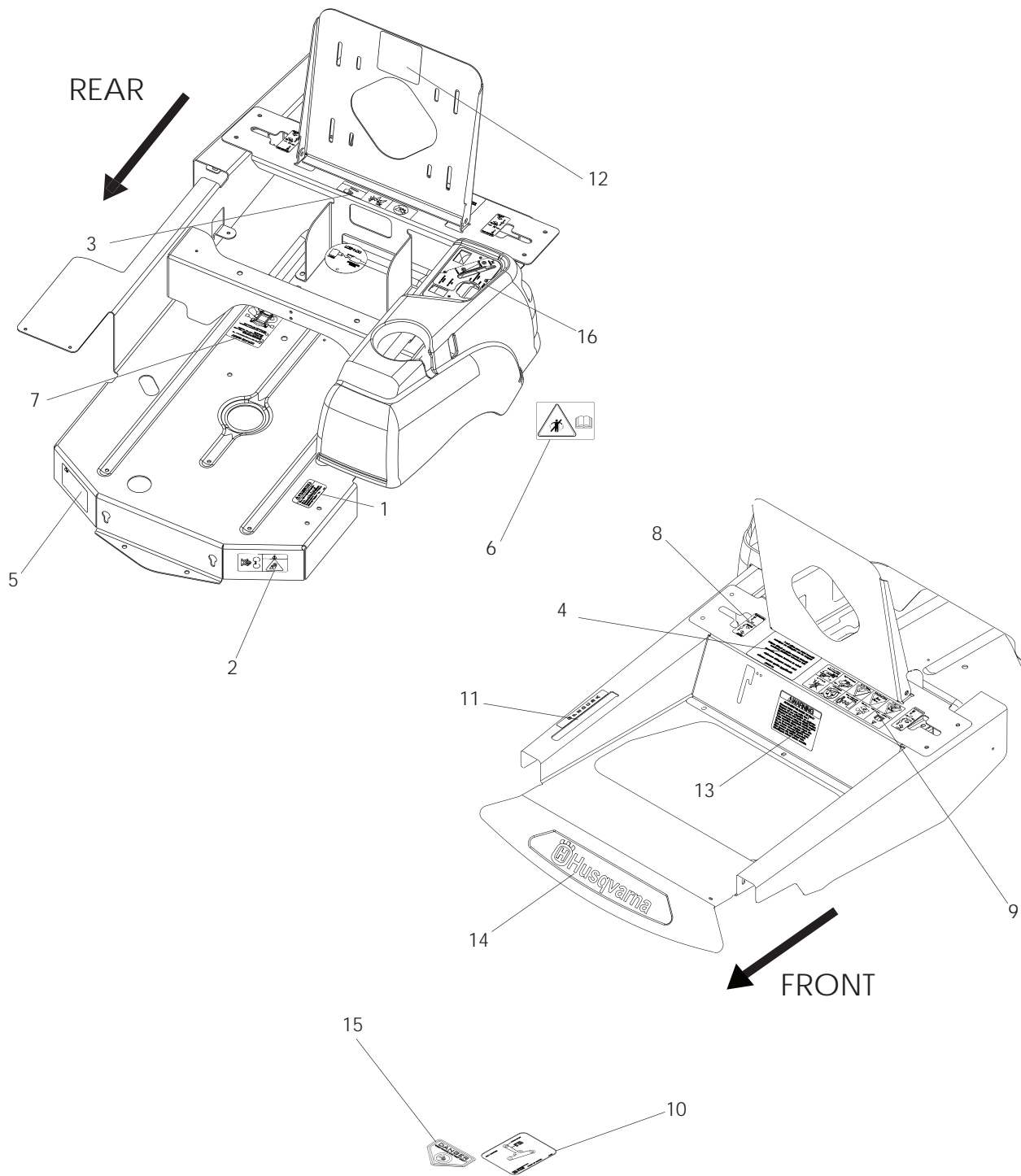


SEAT

ITEM	PART NO.	QTY.	DESCRIPTION
1..	539 1308251	SEAT
	539 1308261	SEAT Models 968999511, 968999763
2..	539 1126941	SEAT MOUNT
3..	539 1044114	KNOB W/STUD
4..	539 1103032	BOLT, ⁵ / ₁₆ , SHOULDER
5..	539 9905172	WASHER, ³ / ₈

ITEM	PART NO.	QTY.	DESCRIPTION
6..	539 1103012	CAP, SPRING COVER
7..	539 1103002	SPRING, SEAT
8..	539 9907172	NUT, ⁵ / ₁₆ -18, NYLOC
9..	539 9769412	HCS, ³ / ₈ -16 x 1 ¹ / ₄
10..	538 1101261	REAR SEAT SUPPORT
11..	539 1321401	SWITCH, SEAT
12..	539 1121491	BRACKET, FRONT SUPPORT Model 968999281 only

DECALS



DECK DECALS

DECALS

ITEM	PART NO.	QTY.	DESCRIPTION	ITEM	PART NO.	QTY.	DESCRIPTION
1...	539 101881	.. 1 ..	DECAL, PROP 65	11..	539 113930	.. 1 ..	DECAL, HEIGHT
2...	539 105744	.. 1 ..	DECAL DANGER BELT DRIV	12..	539 110522	.. 1 ..	DECAL, RESPONSIBILITY
3...	539 105745	.. 1 ..	DECAL, BATTERY WARNING	13..	539 113213	.. 1 ..	DECAL, WARNING
4...	539 108179	.. 1 ..	DECAL, START	14..	539 111047	.. 1 ..	DECAL, HUSQ 12" BLUE
5...	539 108385	.. 1 ..	DECAL, DO NOT TOW	15..	539 913010	.. 1 ..	DECAL, CPSC
6...	539 108386	.. 1 ..	DECAL, EXIT MOWER	16..	539 110077	.. 1 ..	DECAL, IGNITION CONSOLE Models 968999281, 968999511, 968999655, 968999656, 968999685, 968999763, 968999764
7...	539 109897	.. 1 ..	SERVICE DECAL				
8...	539 109898	.. 2 ..	DECAL, MOTION				
9...	539 109908	.. 1 ..	DECAL, SAFETY WARN				
10..	539 110332	.. 1 ..	DECAL, BELT ROUTING Models 968999281, 968999511, 968999655, 968999685, 968999763	..	539 112740	.. 1 ..	DECAL, IGNITION CONSOLE Models 968999508, 968999512, 968999655, 968999656
..	539 131490	.. 1 ..	DECAL, BELT ROUTING Model 968999656, 968999764				
...	539 113942	... 1...	DECAL, BELT ROUTING 968999512, 968999517				
...	539 113942	... 1...	DECAL, BELT ROUTING Models 968999508, 968999765				