

**581 56 35-27**



# **Repair Parts Manual IPL Manual**

**YTH23V48/96043012503**

Please read the operator's manual carefully and make sure you understand the instructions before using the machine.



**English**

# HOW TO USE THIS MANUAL

This manual is designed to provide the customer with a means to identify the parts on his/her tractor when ordering repair parts. The illustrations may or may not represent the actual assemblies; therefore, it is not recommended to use this manual as a guide to assemble or disassemble the tractor. Some hardware and parts are drawn larger in order to more readily identify them.

Each tractor has its own model number.

The model number for your tractor can be found on the fender under the seat.

When ordering parts, always give the following information:

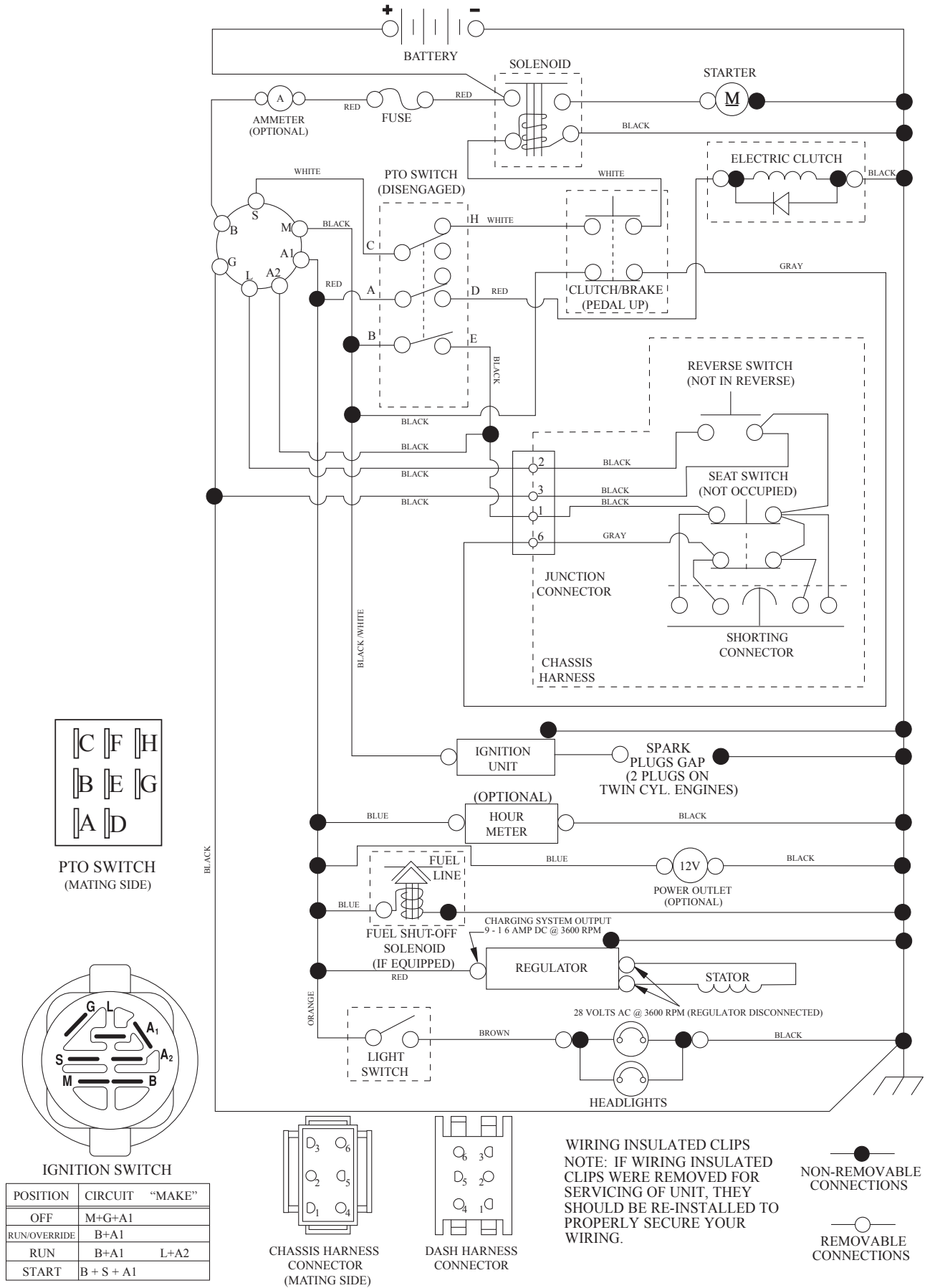
- Product - "TRACTOR"
- MODEL NUMBER - "YTH23V48" (96043012503)"
- Part Number
- Part Description

## TABLE OF CONTENTS

|                 |       |
|-----------------|-------|
| SCHEMATIC ..... | 3     |
| ELECTRICAL..... | 4-5   |
| CHASSIS .....   | 6-7   |
| DRIVE.....      | 8-9   |
| ENGINE.....     | 10-11 |
| STEERING .....  | 12-13 |
| MOWER DECK..... | 14-15 |
| MOWER LIFT..... | 16    |
| SEAT .....      | 17    |
| DECALS.....     | 18    |

# TRACTOR - MODEL NO. YTH23V48 (96043012503), PRODUCT NO. 960 43 01-25 SCHEMATIC

SCH12



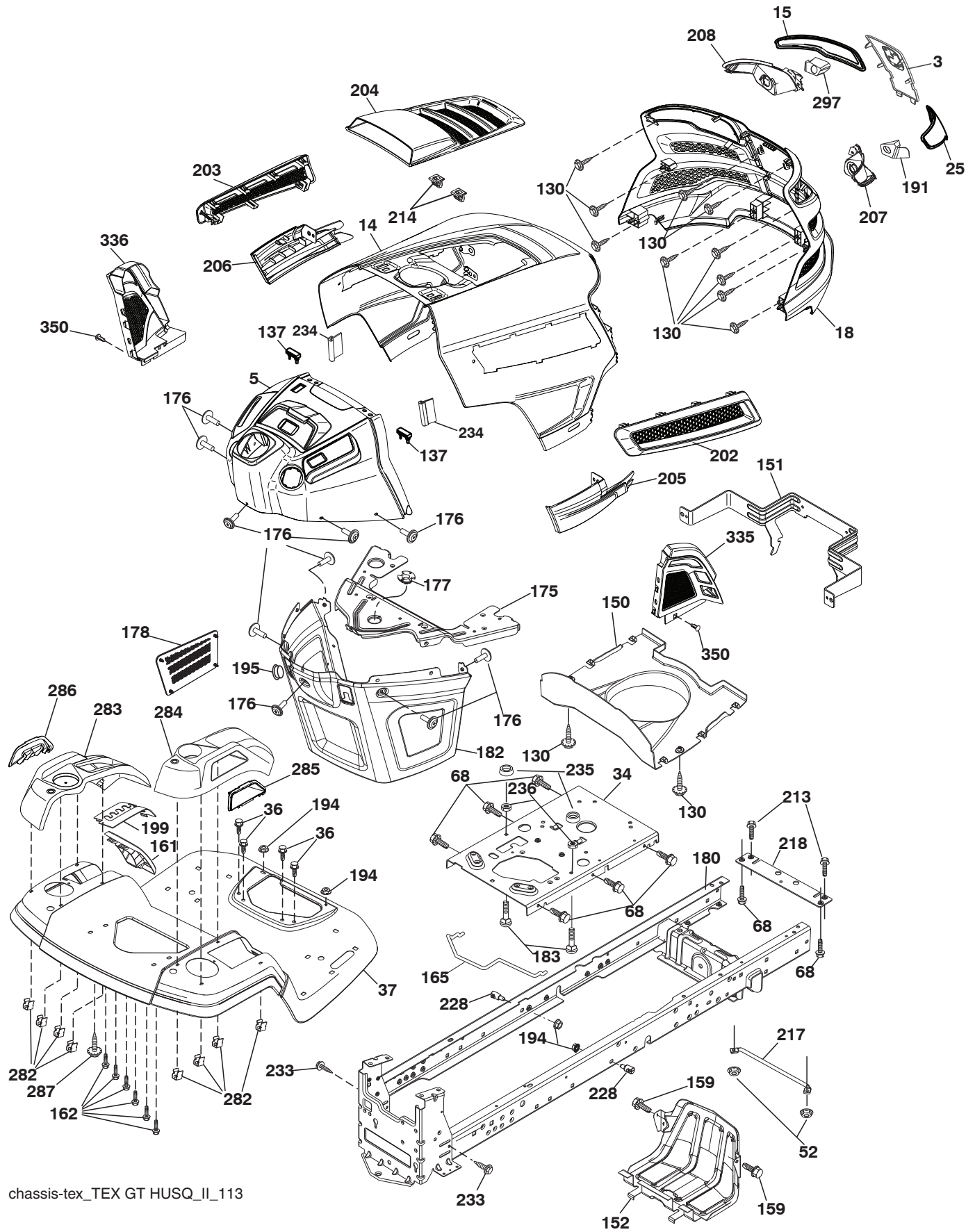


**TRACTOR - MODEL NO. YTH23V48 (96043012503), PRODUCT NO. 960 43 01-25  
ELECTRICAL**

| <b>KEY NO.</b> | <b>PART NO.</b> | <b>DESCRIPTION</b>               |
|----------------|-----------------|----------------------------------|
| 1              | 532 16 34-65    | Battery                          |
| 2              | 874 76 04-12    | Bolt Hex Hd 1/4-20 unc x 3/4     |
| 8              | 532 41 41-26    | Battery Box                      |
| 16             | 532 17 61-38    | Switch Bagger Present            |
| 21             | 532 40 02-52    | Harness Socket Light             |
| 22             | 532 00 41-52    | Bulb, Light #1156                |
| 24             | 532 40 02-53    | Cable Battery                    |
| 25             | 532 41 28-95    | Cable Starter                    |
| 26             | 532 17 51-58    | Fuse                             |
| 27             | 873 51 04-00    | Nut Keps Hex 1/4-20 unc          |
| 28             | 532 14 54-91    | Cable Ground 21" Blk 6 Ga.       |
| 29             | 532 40 15-45    | Switch Seat                      |
| 30             | 532 19 33-50    | Switch Ign                       |
| 33             | 532 41 19-33    | Key/Chain                        |
| 34             | 532 11 07-12    | Switch Light/Reset               |
| 40             | 532 40 11-04    | Harness Ign. Dash                |
| 41             | 817 72 04-08    | Screw Thd Cut 1/4-20 x 1/2       |
| 42             | 532 13 15-63    | Cover Terminal Red               |
| 43             | 532 19 25-07    | Solenoid                         |
| 46             | 532 40 17-63    | Gauge Hourmeter                  |
| 50             | 532 17 46-51    | Switch PTO                       |
| 55             | 817 06 05-12    | Screw Thdrol 5/16-18 x 3/4       |
| 71             | 532 19 42-76    | Harness Ign                      |
| 79             | 532 17 52-42    | Socket Asm. Bulb Twistlock       |
| 90             | 532 43 53-95    | Cover Terminal Battery           |
| 91             | 532 19 02-70    | Strap Battery                    |
| 99             | 817 67 04-12    | Screw Hexwsh Thdrol 1/4-20 x 3/4 |
| 100            | 819 09 14-16    | Washer 9/32 x 7/8 x 16 Ga.       |
| 102            | 532 40 44-54    | Harness Pigtail                  |
| 105            | 532 40 75-68    | Switch Reverse TT Pedal Control  |

**NOTE:** All component dimensions given in U.S. inches  
1 inch = 25.4 mm

**TRACTOR - MODEL NO. YTH23V48 (96043012503), PRODUCT NO. 960 43 01-25  
CHASSIS**



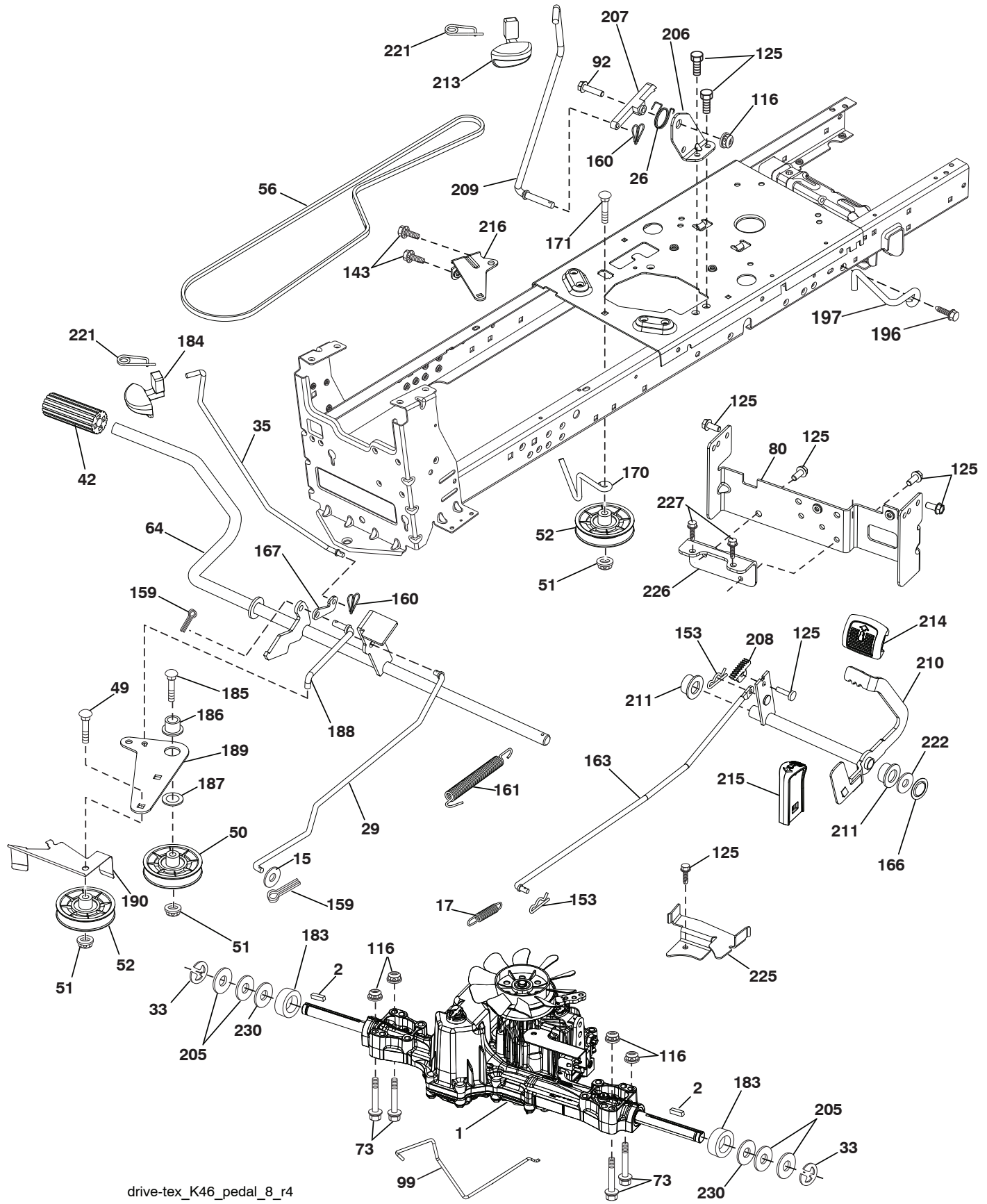
chassis-tex\_TEX GT HUSQ\_II\_113

**TRACTOR - MODEL NO. YTH23V48 (96043012503), PRODUCT NO. 960 43 01-25  
CHASSIS**

| <b>KEY NO.</b> | <b>PART NO.</b> | <b>DESCRIPTION</b>              | <b>KEY NO.</b> | <b>PART NO.</b> | <b>DESCRIPTION</b>              |
|----------------|-----------------|---------------------------------|----------------|-----------------|---------------------------------|
| 3              | 532 44 44-81    | Applique Subasm.                | 202            | 532 43 97-28    | Vent Side Hood RH               |
| 5              | 532 43 74-71    | Dash                            | 203            | 532 43 97-27    | Vent Side Hood LH               |
| 14             | 532 44 11-77    | Hood                            | 204            | 532 43 57-14    | Vent Top Hood                   |
| 15             | 532 43 97-33    | Lens LH                         | 205            | 532 43 97-30    | Skirt Hood Side RH              |
| 18             | 532 44 06-53    | Grille                          | 206            | 532 43 97-29    | Skirt Hood Side LH              |
| 25             | 532 44 33-85    | Lens RH                         | 207            | 532 43 97-34    | Bezel RH                        |
| 34             | 580 91 08-01    | Plate Engine                    | 208            | 532 43 97-35    | Bezel LH                        |
| 36             | 817 06 05-12    | Screw 5/16-18 x 3/4             | 213            | 874 76 05-12    | Bolt 5/16-18 unc x 3/4          |
| 37             | 532 44 11-78    | Fender                          | 214            | 532 19 91-45    | Clip Retainer Tinner            |
| 52             | 873 68 05-00    | Nut Lock 5/16-18                | 217            | 532 40 91-67    | Rod Pivot                       |
| 68             | 817 49 05-08    | Screw 5/16-18 x 1/2             | 218            | 532 19 63-95    | X-Piece Hood Stop               |
| 130            | 532 41 63-58    | Screw #10 x 0.750 BOS Thread    | 228            | 532 19 51-61    | Stud Fastner                    |
| 137            | 532 40 75-90    | Bumper Dash                     | 233            | 532 19 65-39    | Bolt, Shoulder                  |
| 150            | 532 43 97-74    | Air Duct                        | 234            | 532 40 47-42    | Bumper Hood                     |
| 151            | 532 43 66-70    | Pivot Bracket                   | 235            | 532 40 61-29    | Spacer Fender                   |
| 152            | 532 43 98-70    | Shield Browning                 | 236            | 873 93 05-00    | Nut Lock 5/16-18 unc            |
| 159            | 817 00 06-12    | Screw 5/16-18 x 3/4             | 282            | 532 41 41-10    | Clip Retainer Console           |
| 161            | 532 43 97-81    | Window Fuel                     | 283            | 532 43 98-61    | Console Asm. Decklift           |
| 162            | 532 14 24-32    | Screw                           | 284            | 532 43 98-23    | Console Asm.                    |
| 165            | 532 19 68-26    | Support Tank Rear               | 285            | 532 41 63-15    | Console Insert RH               |
| 175            | 532 19 63-04    | Crossmember                     | 286            | 532 41 63-17    | Console Insert LH               |
| 176            | 532 40 07-76    | Screw 10-24 x 5/8               | 287            | 817 60 04-06    | Screw Hex Washhead 1/4-20 x 3/8 |
| 177            | 532 19 52-27    | Bushing Steering                | 297            | 532 43 74-56    | Insert Reflective LH            |
| 178            | 532 19 97-82    | Cargo Asm. Net                  | 335            | 532 44 82-04    | Cover Lower Dash Close Out RH   |
| 180            | 532 19 54-57    | Chassis                         | 336            | 532 44 53-09    | Cover Lower Dash Close Out LH   |
| 182            | 532 40 68-59    | Dash Lower                      | 350            | 532 44 51-43    | Clip X-ms Tree                  |
| 183            | 874 52 05-20    | Bolt 5/16-18 x 1-1/4 Full. Thd. |                |                 |                                 |
| 191            | 532 43 74-55    | Insert Reflective RH            |                |                 |                                 |
| 194            | 873 90 05-00    | Nut Lock Hex Flange 5/16-18     |                |                 |                                 |
| 195            | 532 40 41-37    | Plug Hole Dash Lower            |                |                 |                                 |
| 199            | 532 41 34-85    | Plate Deck Lift                 |                |                 |                                 |

**NOTE:** All component dimensions given in U.S. inches  
1 inch = 25.4 mm

**TRACTOR - MODEL NO. YTH23V48 (96043012503), PRODUCT NO. 960 43 01-25  
DRIVE**



drive-tex\_K46\_pedal\_8\_r4

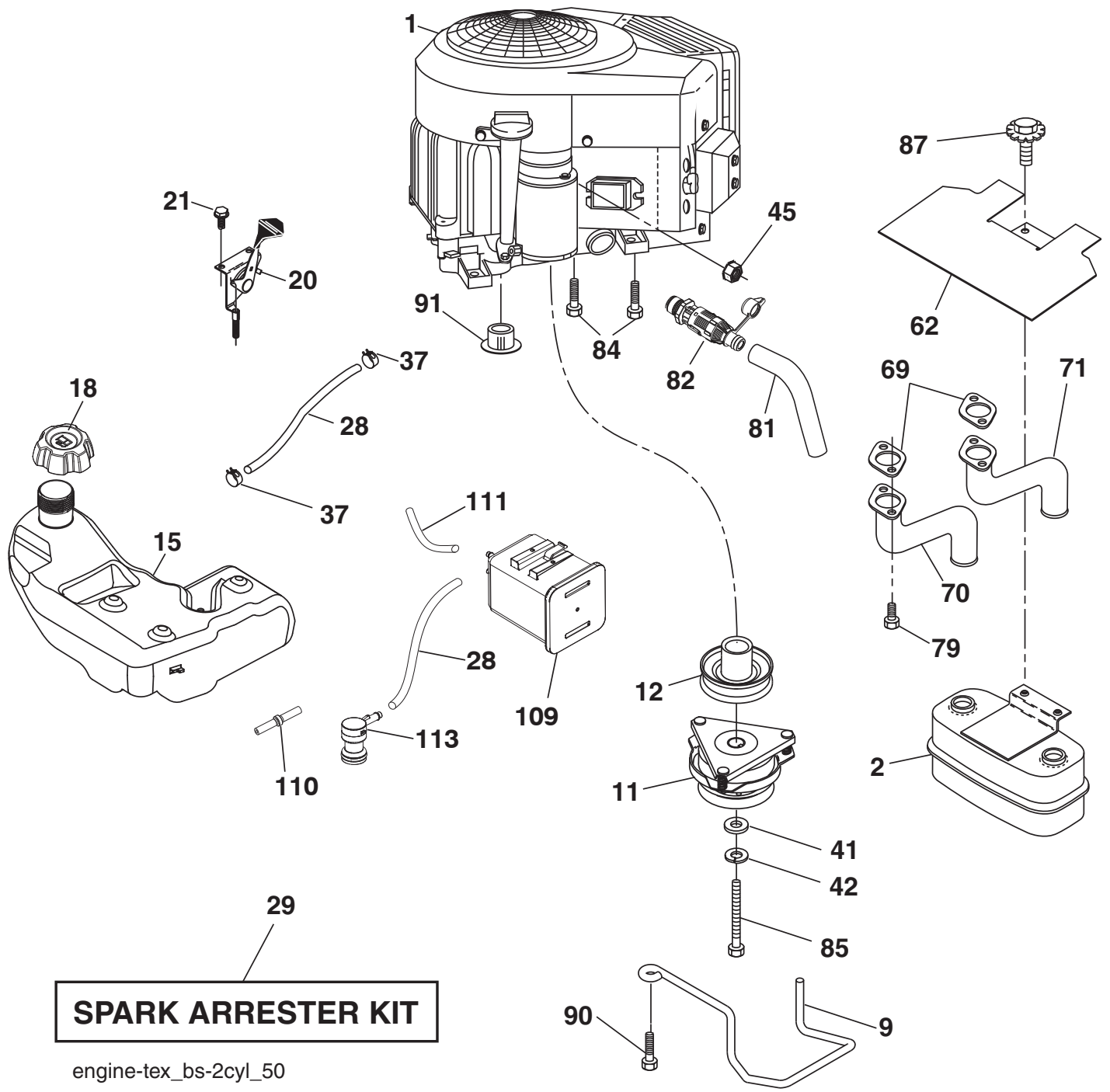


**TRACTOR - MODEL NO. YTH23V48 (96043012503), PRODUCT NO. 960 43 01-25  
DRIVE**

| <b>KEY NO.</b> | <b>PART NO.</b> | <b>DESCRIPTION</b>  | <b>KEY NO.</b> | <b>PART NO.</b> | <b>DESCRIPTION</b>                  |
|----------------|-----------------|---|----------------|-----------------|-------------------------------------|
| 1              | ---             | Transaxle, TUFFTORQ K46 BT (426120)(Order parts from transaxle manufacturer.) | 171            | 872 11 06-16    | Bolt RDHD SQNK 3/8-16 unc x 2       |
| 2              | 532 12 35-83    | Key   | 183            | 532 13 70-57    | Spacer Split                        |
| 15             | 819 13 13-16    | Washer 13/32 x 13/16 x 16 Ga.   | 184            | 532 44 14-55    | Handle Parking Brake                |
| 17             | 532 41 36-78    | Spring, Brake   | 185            | 872 11 06-22    | Bolt Rdhd Sqnk 3/8-16 x 2-3/4 Gr. 5 |
| 26             | 532 19 96-79    | Spring Return Cruise  | 186            | 532 19 43-21    | Spacer Retainer                     |
| 29             | 532 40 38-06    | Rod, Brake  | 187            | 819 13 32-10    | Washer                              |
| 33             | 812 00 00-01    | Ring E  | 188            | 532 19 43-23    | Link Clutch Ground Drive            |
| 35             | 532 43 54-86    | Rod, Brake, Park  | 189            | 532 19 43-17    | Bellcrank Ground Drive              |
| 42             | 532 12 48-72    | Cover, Foot Pedal   | 190            | 532 19 43-18    | Keeper Bellcrank Ground Drive       |
| 49             | 872 11 06-14    | Bolt  | 196            | 817 00 06-16    | Screw 3/8-16 x 1                    |
| 50             | 532 19 43-27    | Pulley Idler Flat   | 197            | 532 19 58-04    | Bracket Clutch Anti-Rotation        |
| 51             | 873 90 06-00    | Lock Nut 3/8-16   | 205            | 532 12 17-48    | Washer                              |
| 52             | 532 19 43-26    | Idler V-Groove 910" Offset  | 206            | 532 19 78-67    | Bracket Mount Latch Cruise          |
| 56             | 532 13 09-69    | V-Belt, Drive   | 207            | 532 19 78-68    | Latch Control Cruise                |
| 64             | 532 19 78-65    | Shaft Asm. Pedal Brake Control  | 208            | 532 19 78-69    | Gear Sector Control Cruise          |
| 73             | 874 49 05-40    | Bolt Hex Flghd 5/16-18 Gr. 5  | 209            | 532 19 95-92    | Rod Control Cruise                  |
| 80             | 532 44 06-19    | Strap Torque  | 210            | 532 40 09-80    | Rocker Asm. Pedal Control           |
| 92             | 874 76 05-20    | Bolt Fin Hex 5/16-18 unc x 1.25   | 211            | 532 12 01-83    | Bearing Nylon                       |
| 99             | 532 41 57-42    | Rod Asm. Bypass   | 213            | 532 40 31-19    | Knob Control Cruise                 |
| 116            | 873 90 05-00    | Nut Lock Hex Flange 5/16-18   | 214            | 532 42 12-63    | Pedal Forward Pad                   |
| 125            | 817 00 05-12    | Screw 5/16-18 x 3/4   | 215            | 532 40 17-23    | Pedal Reverse                       |
| 143            | 817 49 05-08    | Screw 5/16-18 x 1/2   | 216            | 532 19 61-31    | Bracket Pulley Idler                |
| 153            | 532 12 47-88    | Retainer Spring   | 221            | 532 40 31-87    | Retainer Spring Clip Handle         |
| 159            | 876 02 04-12    | Pin Cotter 1/8 x 3/4  | 222            | 879 21 20-10    | Washer 21/32 x 1-1/4 x 10 Ga.       |
| 160            | 532 16 94-84    | Retainer Clip   | 225            | 532 40 33-19    | Keeper Belt Trans.                  |
| 161            | 532 10 57-09    | Spring, Return, Clutch  | 226            | 532 40 15-64    | Bracket Mount Torque                |
| 163            | 532 44 82-75    | Rod Pedal Control   | 227            | 817 49 05-12    | Screw Thd. 5/16-18 x 3/4            |
| 166            | 532 42 91-64    | Nut Push  | 230            | 532 18 89-67    | Washer Hardened                     |
| 167            | 532 40 52-57    | Latch Brake Parking   |                |                 |                                     |
| 170            | 532 19 43-22    | Keeper Belt Centerspan  |                |                 |                                     |

**NOTE:** All component dimensions given in U.S. inches  
1 inch = 25.4 mm

**TRACTOR - MODEL NO. YTH23V48 (96043012503), PRODUCT NO. 960 43 01-25  
ENGINE**



# TRACTOR - MODEL NO. YTH23V48 (96043012503), PRODUCT NO. 960 43 01-25 ENGINE

| KEY NO. | PART NO.     | DESCRIPTION  |
|---------|--------------|--|
| 1       | -- -- -- --  | Engine Briggs Model No. 445577-5187-G5 (581082501) (Order parts from engine manufacturer.) |
| 2       | 532 44 59-62 | Muffler  |
| 9       | 532 19 43-20 | Keeper Belt Engine   |
| 11      | 532 40 00-08 | Clutch Electric  |
| 12      | 532 40 50-97 | Pulley Engine  |
| 15      | 532 41 41-51 | Tank Fuel  |
| 18      | 532 43 92-08 | Cap Asm  |
| 20      | 532 42 35-02 | Control Throttle   |
| 21      | 532 41 63-58 | Screw #10 x 0.750 BOS Thread   |
| 28      | 532 40 11-35 | Fuel Line  |
| 29      | 532 13 71-80 | Spark Arrester Kit   |
| 37      | 532 12 34-87 | Clamp Hose   |
| 41      | 532 12 61-97 | Washer 1-1/2 OD x 15/32 ID x .250  |
| 42      | 810 04 07-00 | Washer Lock 7/16   |
| 45      | 873 51 04-00 | Nut Keps Hex 1/4-20 unc  |
| 62      | 532 43 40-17 | Shield Heat Muffler  |
| 69      | 532 16 53-91 | Gasket   |
| 70      | 532 15 99-55 | Tube Exhaust LH  |
| 71      | 532 16 05-89 | Tube Exhaust RH  |
| 79      | 532 18 39-06 | Screw Socket Head 5/16-18 x 1  |
| 81      | 532 14 84-56 | Tube Drain Oil Easy  |
| 82      | 532 42 82-87 | Valve Oil Drain  |
| 84      | 817 06 06-20 | Screw 3/8-16 x 1-1/4   |
| 85      | 532 17 39-37 | Bolt Hex 7/16-20 x 4 Gr. 5   |
| 87      | 532 17 18-77 | Bolt 5/16-18 unc x 1 w/Sems  |
| 90      | 817 00 06-16 | Screw 3/8-16 x 1   |
| 91      | 532 18 74-95 | Bushing  |
| 109     | 532 41 41-14 | Canistor Carbon  |
| 110     | 532 41 41-18 | Valve Asm.   |
| 111     | 532 41 41-19 | Purge Line   |
| 113     | 532 41 41-27 | Valve Slant  |

**NOTE:** All component dimensions given in U.S. inches  
1 inch = 25.4 mm

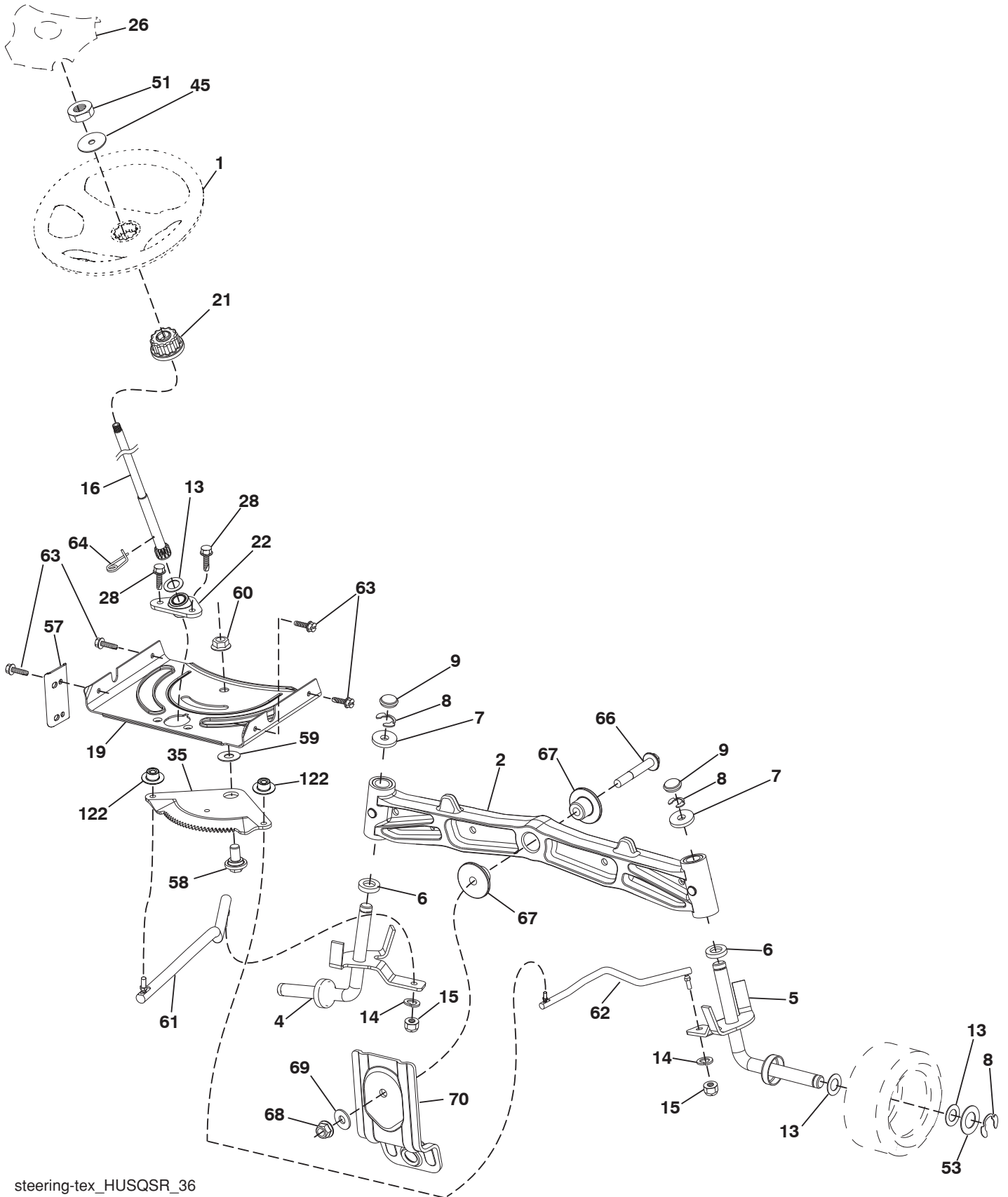
For engine service and replacement parts, call the toll free number for your engine manufacturer listed below:

Briggs & Stratton 1-800-233-3723

## Engine Power Rating Information

The gross power rating for individual gas engine models is labeled in accordance with SAE (Society of Automotive Engineers) code J1940 (Small Engine Power & Torque Rating Procedure), and rating performance has been obtained and corrected in accordance with SAE J1995 (Revision 2002-05). Torque values are derived at 3060 RPM; horsepower values are derived at 3600 RPM. Actual gross engine power will be lower and is affected by, among other things, ambient operating conditions and engine-to-engine variability. Given both the wide array of products on which engines are placed and the variety of environmental issues applicable to operating the equipment, the gas engine will not develop the rated gross power when used in a given piece of power equipment (actual "on-site" or net power). This difference is due to a variety of factors including, but not limited to, accessories (air cleaner, exhaust, charging, cooling, carburetor, fuel pump, etc.), application limitations, ambient operating conditions (temperature, humidity, altitude), and engine-to-engine variability. Due to manufacturing and capacity limitations, Briggs & Stratton may substitute an engine of higher rated power for this Series engine.

**TRACTOR - MODEL NO. YTH23V48 (96043012503), PRODUCT NO. 960 43 01-25**  
**STEERING ASSEMBLY**



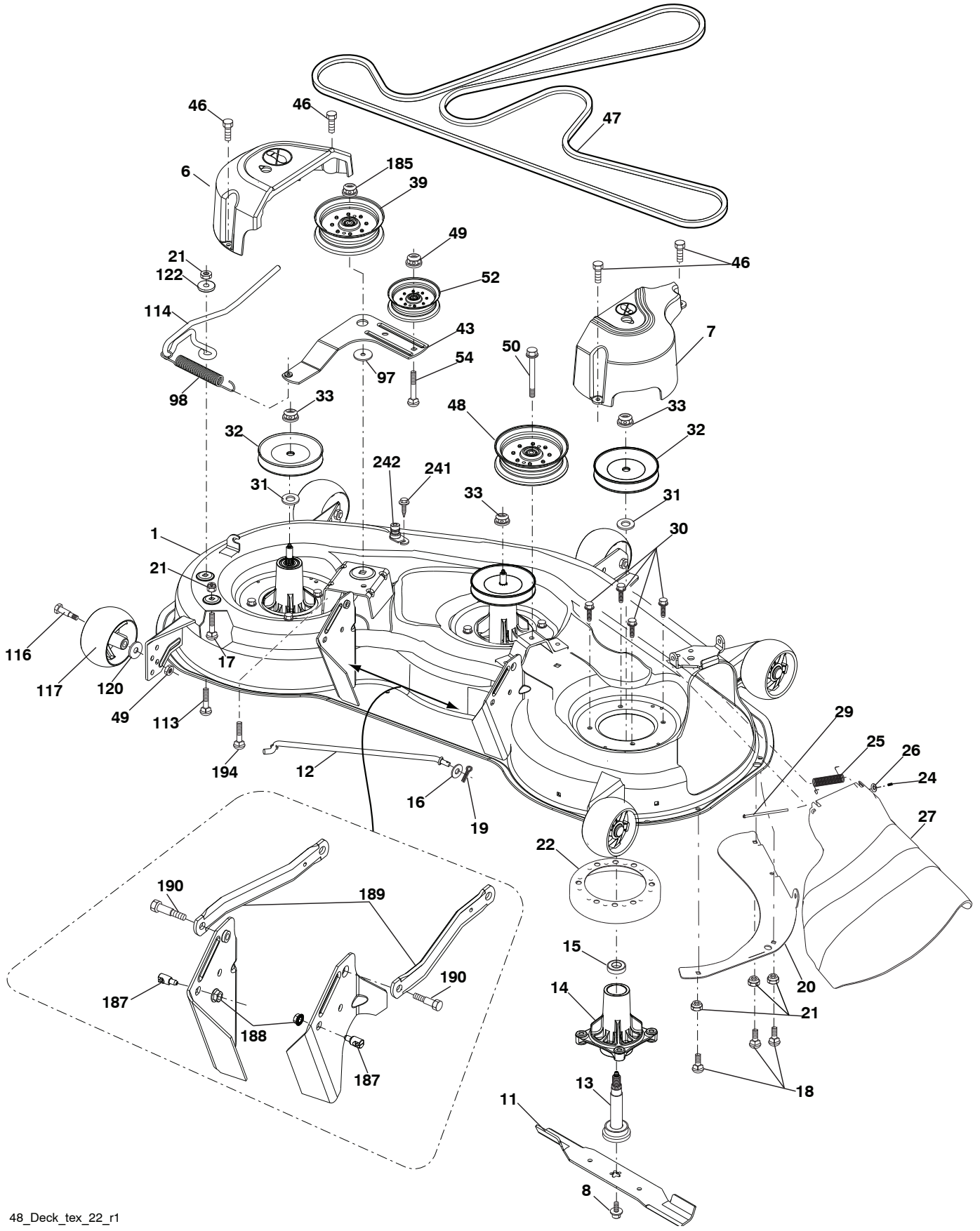
steering-tex\_HUSQSR\_36

**TRACTOR - MODEL NO. YTH23V48 (96043012503), PRODUCT NO. 960 43 01-25  
STEERING ASSEMBLY**

| <b>KEY<br/>NO.</b> | <b>PART<br/>NO.</b> | <b>DESCRIPTION</b>             |
|--------------------|---------------------|--------------------------------|
| 1                  | 532 43 97-40        | Wheel, Steering                |
| 2                  | 532 19 59-68        | Axle Asm., Front               |
| 4                  | 532 40 30-87        | Spindle Asm., LH               |
| 5                  | 532 40 30-88        | Spindle Asm., RH               |
| 6                  | 532 12 49-31        | Bearing, Race Thrust Harden    |
| 7                  | 532 12 17-48        | Washer 25/32 x 1-5/8 x 16 Ga.  |
| 8                  | 812 00 00-29        | Ring, Clip #T5304-75           |
| 9                  | 532 12 12-32        | Cap, Spindle                   |
| 13                 | 532 12 17-49        | Washer 25/32 x 1-1/4 x 16 Ga.  |
| 14                 | 810 04 06-00        | Washer, Lock Hvy Hlcl Spr 3/8  |
| 15                 | 873 54 06-00        | Nut, Crown Lock 3/8-24 unf     |
| 16                 | 532 40 82-19        | Shaft Steering                 |
| 19                 | 532 19 47-29        | Plate Steering                 |
| 21                 | 532 18 67-37        | Adapter, Wheel Steering        |
| 22                 | 532 42 05-37        | Steering, Support Lower        |
| 26                 | 532 43 97-43        | Insert, Wheel Steering         |
| 28                 | 817 00 06-12        | Screw 3/8-16 x 3/4             |
| 35                 | 532 19 47-32        | Gear, Sector Plate             |
| 45                 | 819 18 38-12        | Washer 9/16 x 2-3/8 x 12 Ga.   |
| 51                 | 873 94 08-00        | Nut Hex Jam Toplock 1/2-20 unf |
| 53                 | 532 18 89-67        | WasherHardened.793x1.637x.060  |
| 57                 | 532 19 72-46        | Bracket Upstop                 |
| 58                 | 532 19 47-47        | Bolt Shoulder Sector Pivot CFM |
| 59                 | 532 19 47-48        | Washer Thrust Sector Steering  |
| 60                 | 873 97 10-00        | Nut Flange Lock 5/8-11         |
| 61                 | 532 19 47-40        | Draglink, LH                   |
| 62                 | 532 19 47-41        | Draglink, RH                   |
| 63                 | 817 00 05-12        | Screw 5/16-18 x 3/4            |
| 64                 | 532 19 98-49        | Retainer Clip Spring Steering  |
| 66                 | 871 02 07-48        | Bolt Hex Fghd 7/16-14 x 3 Serr |
| 67                 | 532 19 47-37        | Bushing PM Front Axle          |
| 68                 | 873 90 07-00        | Nut Lock Flange 7/16-14 Gr. 5  |
| 69                 | 532 19 91-62        | Washer 1.5 x .505 x .118       |
| 70                 | 532 19 61-97        | Bracket Deck Susp. Front       |
| 122                | 532 44 49-62        | Cap Gear                       |

**NOTE:** All component dimensions given in U.S. inches  
1 inch = 25.4 mm

**TRACTOR - MODEL NO. YTH23V48 (96043012503), PRODUCT NO. 960 43 01-25  
MOWER DECK**



48\_Deck\_tex\_22\_r1

**TRACTOR - MODEL NO. YTH23V48 (96043012503), PRODUCT NO. 960 43 01-25  
MOWER DECK**

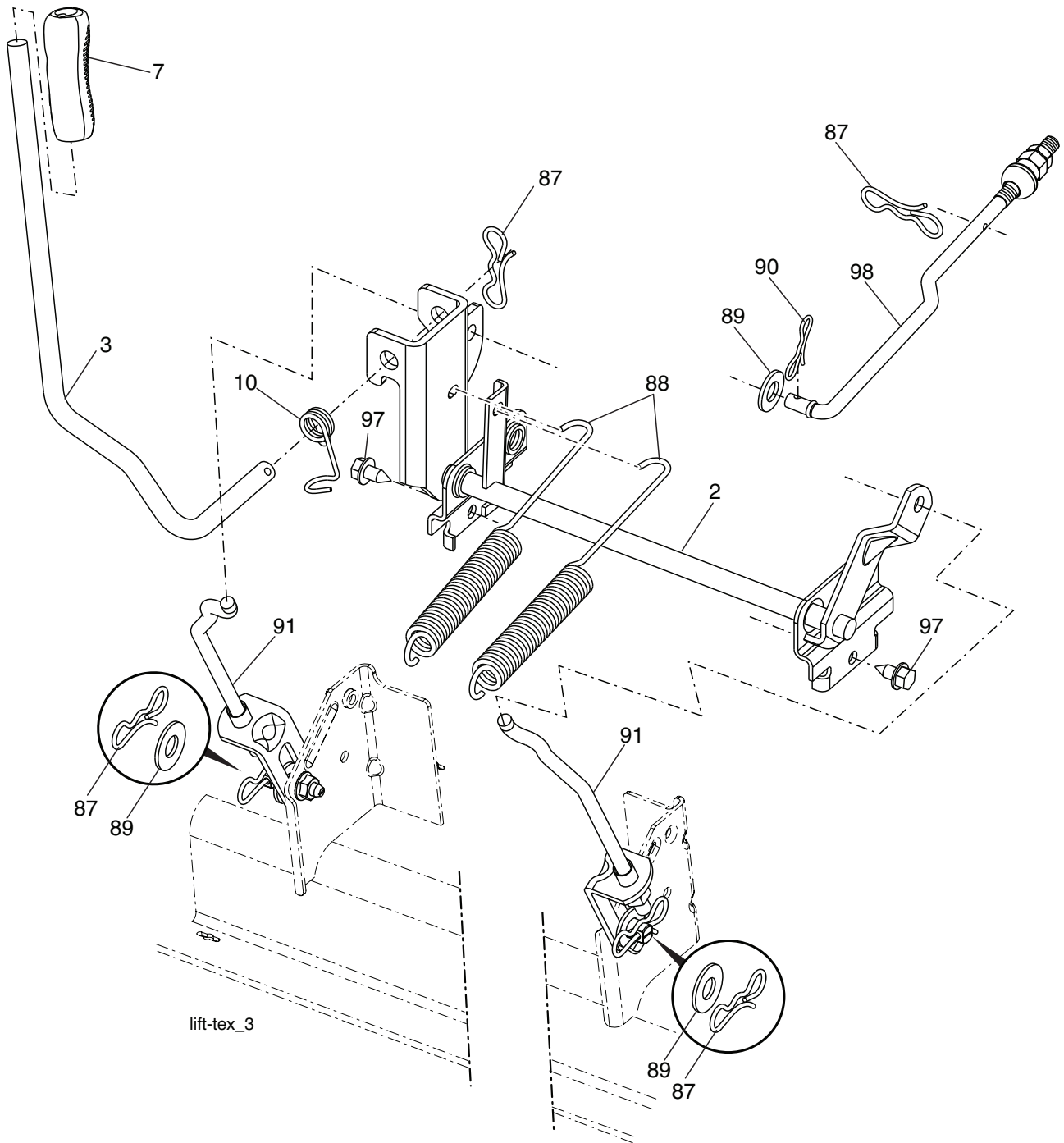
| KEY NO. | PART NO.     | DESCRIPTION                   |
|---------|--------------|-------------------------------|
| 1       | 532 44 00-48 | Deck Weldment Mower           |
| 6       | 532 19 72-48 | Cover Mandrel LH              |
| 7       | 532 19 91-02 | Cover Mandrel RH              |
| 8       | 532 19 30-03 | Bolt 7/16 Asm. Blade          |
| 11      | 532 18 00-54 | Blade High Lift               |
| 12      | 532 40 48-51 | Rod Anti-Sway                 |
| 13      | 532 18 72-91 | Shaft Asm. w/Lower Bearing    |
| 14      | 532 18 72-81 | Housing, Mandrel              |
| 15      | 532 11 04-85 | Bearing, Ball, Mandrel        |
| 16      | 819 13 13-12 | Washer 13/32 x 13/16 x 12 Ga. |
| 17      | 872 11 05-05 | Bolt 5/16-18 x 5/8            |
| 18      | 872 14 05-05 | Bolt RdHd 5/16-18 unc x 5/8   |
| 19      | 532 19 42-08 | Pin Cotter 5/16 Bow Tie Lock  |
| 20      | 532 17 43-78 | Baffle Vortex                 |
| 21      | 873 68 05-00 | Nut, Crownlock 5/16-18 unc    |
| 22      | 532 17 44-93 | Stripper Mandrel              |
| 24      | 532 10 53-04 | Cap Sleeve                    |
| 25      | 532 17 81-02 | Spring, Torsion               |
| 26      | 532 11 04-52 | Nut, Push                     |
| 27      | 532 18 17-07 | Deflector Shield              |
| 29      | 532 13 14-91 | Rod, Hinge                    |
| 30      | 532 17 39-84 | Screw, Thdroll Washer Head    |
| 31      | 532 18 76-90 | Washer, Spacer Mower Vented   |
| 32      | 532 15 35-32 | Pulley, Mandrel               |
| 33      | 532 40 02-34 | Nut, Flg. Top Lock            |
| 39      | 532 19 73-80 | Pulley, Idler, 4.50 Hub       |
| 43      | 532 19 60-65 | Arm, Idler                    |
| 46      | 532 13 77-29 | Screw, Thdroll. 1/4-20 x 5/8  |
| 47      | 532 19 72-42 | Belt Deck Drive               |
| 48      | 532 19 73-79 | Pulley Idler 4.50 RAW         |

| KEY NO. | PART NO.     | DESCRIPTION   |
|---------|--------------|---|
| 49      | 873 90 06-00 | Nut, Lock Flg. 3/8-16 unc   |
| 50      | 817 49 06-36 | Screw TT 3/8-16 x 2-1/4   |
| 52      | 532 19 31-97 | Pulley Idler 48" Primary  |
| 54      | 872 11 06-12 | Bolt Carr. Sh 3/8-16 x 1-1/2 Gr. 5  |
| 97      | 532 17 85-15 | Washer Hardened   |
| 98      | 532 19 61-05 | Spring Drive  |
| 113     | 872 11 05-08 | Bolt Rdhd Sqnk 5/16-18 x 3/4  |
| 114     | 532 19 74-51 | Rod Tension Relief  |
| 116     | 532 19 34-06 | Bolt, Shoulder  |
| 117     | 532 17 48-73 | Gauge Wheel   |
| 120     | 819 13 20-12 | Washer 13/32 x 1-1/4 x 12 Ga.   |
| 122     | 532 18 75-57 | Bushing Tension Relief  |
| 185     | 873 90 07-00 | Nut Lock Flange 7/16-14 Gr. 5   |
| 187     | 532 19 51-61 | Stud Fastener w/"D" Anti-Rotation   |
| 188     | 873 90 05-00 | Nut Lock Hex Flange   |
| 189     | 532 19 51-85 | Arm Susp. Mower Rear  |
| 190     | 532 19 65-39 | Bolt Shoulder   |
| 194     | 874 49 07-36 | Bolt Hex Washer Head 7/16-14 x 2.25   |
| 241     | 532 15 29-27 | Screw TT #10-32.5 3/8 Flange  |
| 242     | 532 41 55-98 | Port, Washout   |
| --      | 532 41 64-05 | Coupling Quick Connect  |
| --      | 532 18 72-92 | Mandrel Assembly (Includes housing, shaft assembly, and bearing only - pulley/nut/washer and blade bolt/washers not included) |
| --      | 532 43 18-25 | Replacement Mower, Complete   |

**NOTE:** All component dimensions given in U.S. inches  
1 inch = 25.4 mm



**TRACTOR - MODEL NO. YTH23V48 (96043012503), PRODUCT NO. 960 43 01-25  
MOWER LIFT**



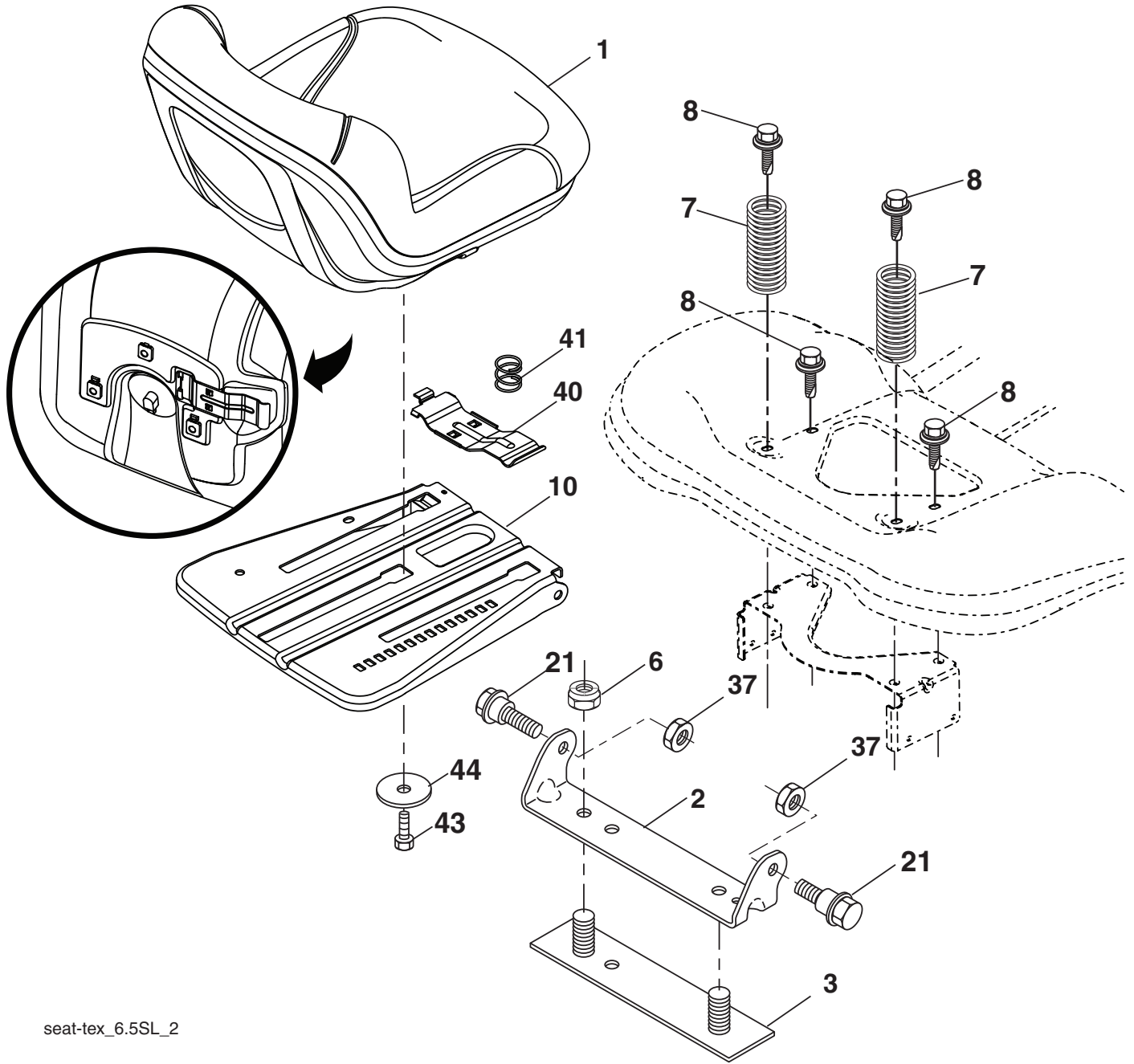
| KEY NO. | PART NO.     | DESCRIPTION                  |
|---------|--------------|------------------------------|
| 2       | 532 42 20-27 | Shaft Asm. Cross, Lift       |
| 3       | 532 19 52-31 | Lever Asm., Lift             |
| 7       | 580 96 23-01 | Grip, Lever                  |
| 10      | 532 19 63-14 | Spring Torsion               |
| 87      | 532 19 42-09 | Pin Cotter 7/16 Bow Tie Lock |
| 88      | 532 41 07-10 | Spring Lift Assist           |
| 89      | 819 19 19-12 | Washer Clear Zinc            |

| KEY NO. | PART NO.     | DESCRIPTION                  |
|---------|--------------|------------------------------|
| 90      | 532 19 42-08 | Pin Cotter 5/16 Bow Tie Lock |
| 91      | 532 19 51-81 | Link Lift Susp Mower Rear    |
| 97      | 817 00 06-12 | Screw 3/8-16 x .75           |
| 98      | 532 19 52-64 | Link Lift Susp. Front Mower  |

**NOTE:** All component dimensions given in U.S. inches  
1 inch = 25.4 mm



**TRACTOR - MODEL NO. YTH23V48 (96043012503), PRODUCT NO. 960 43 01-25  
SEAT ASSEMBLY**



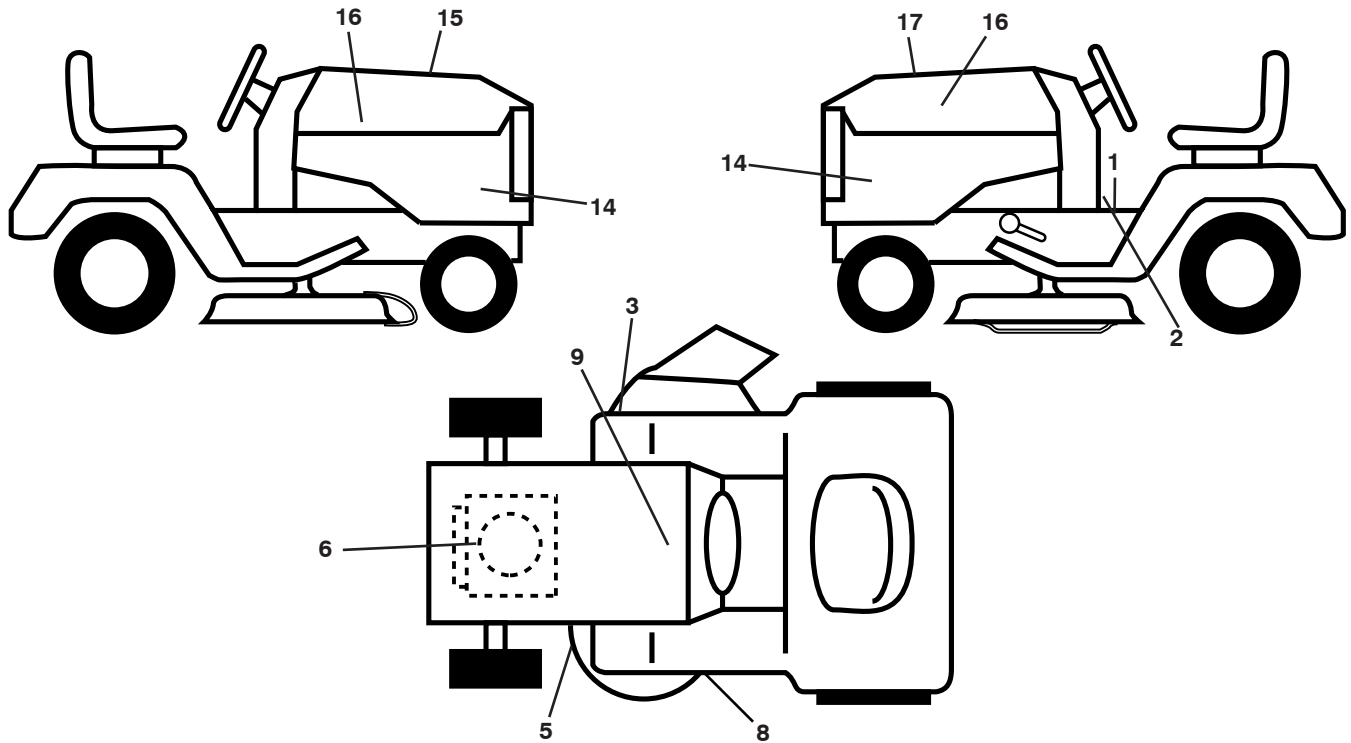
seat-tex\_6.5SL\_2

| KEY NO. | PART NO.     | DESCRIPTION                   |
|---------|--------------|-------------------------------|
| 1       | 532 43 98-22 | Seat                          |
| 2       | 532 18 01-66 | Bracket Pivot Fender          |
| 3       | 532 14 06-75 | Strap, Asm Fender             |
| 6       | 873 80 06-00 | Nut, Lock w/Ins. 3/8-16 unc   |
| 7       | 532 12 41-81 | Spring, Seat Cprsn            |
| 8       | 532 17 18-77 | Bolt 5/16-18 unc x 3/4 w/Sems |
| 10      | 532 19 69-77 | Pan, Seat                     |
| 21      | 532 17 18-52 | Bolt, Shoulder 5/16-18        |

| KEY NO. | PART NO.     | DESCRIPTION                   |
|---------|--------------|-------------------------------|
| 37      | 873 80 05-00 | Nut, Lock 5/16-18 unc         |
| 40      | 532 19 76-61 | Handle Slide Seat             |
| 41      | 532 19 82-00 | Spring Latch Seat             |
| 43      | 874 76 06-12 | Bolt 3/8-16 x 3/4             |
| 44      | 819 13 38-12 | Washer 13/32 x 2-3/8 x 12 Ga. |

**NOTE:** All component dimensions given in U.S. inches  
1 inch = 25.4 mm

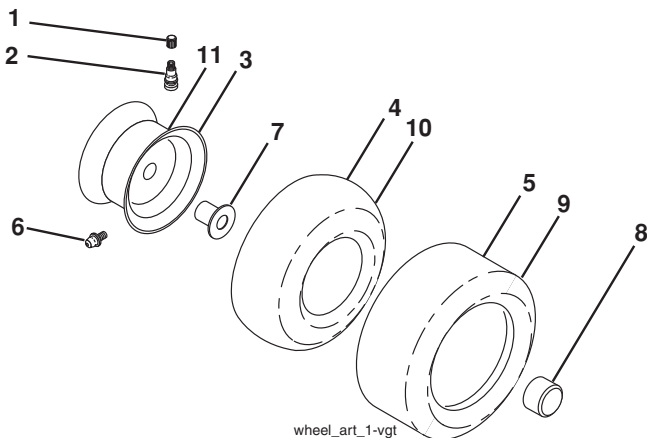
**TRACTOR - MODEL NO. YTH23V48 (96043012503), PRODUCT NO. 960 43 01-25  
DECALS**



| KEY NO. | PART NO.     | DESCRIPTION             |
|---------|--------------|-------------------------|
| 1       | 532 41 16-57 | Decal, Warning          |
| 2       | 532 42 41-02 | Decal, Warning          |
| 3       | 532 17 05-63 | Decal, Keep Away        |
| 5       | 532 17 84-55 | Decal, Caution          |
| 6       | 581 25 86-01 | Decal, Eng.             |
| 8       | 532 19 87-85 | Decal, Mower Sch.       |
| 9       | 532 14 50-05 | Decal, Battery Dnge/Poi |
| 14      | 532 43 86-63 | Decal, Panel Side       |
| 15      | 532 42 38-29 | Decal, Cust. Resp.      |

| KEY NO. | PART NO.     | DESCRIPTION                            |
|---------|--------------|--|
| 16      | 532 42 91-96 | Decal, Hood Logo                       |
| 17      | 581 50 44-01 | Decal, Replacement                     |
| --      | 532 16 69-60 | Decal, Bypass                          |
| --      | 532 43 96-81 | Pad, Footrest, LH                      |
| --      | 532 43 96-82 | Pad, Footrest, RH                      |
| --      | 581 56 35-96 | Manual, Operator's (English/Spanish)   |
| --      | 581 56 35-27 | Manual, Repair Parts (English/Spanish) |

**WHEELS AND TIRES**



| KEY NO. | PART NO.     | DESCRIPTION                        |
|---------|--------------|------------------------------------|
| 1       | 532 05 91-92 | Cap, Valve, Tire                   |
| 2       | 532 06 51-39 | Stem, Valve                        |
| 3       | 532 13 83-36 | Rim Assembly, Front                |
| 4       | 532 05 99-04 | Tube, Front (Service Item Only)    |
| 5       | 532 10 62-22 | Tire, Front                        |
| 6       | 532 12 49-57 | Fitting, Grease (Front Wheel Only) |
| 7       | 532 12 49-59 | Bearing, Flange (Front Wheel Only) |
| 8       | 532 17 50-39 | Cap, Axle                          |
| 9       | 532 13 84-68 | Tire, Rear                         |
| 10      | 532 12 49-26 | Tube, Rear (Service Item Only)     |
| 11      | 532 13 83-37 | Rim Assembly, Rear                 |
| --      | 532 14 43-34 | Sealant, Tire (10 oz. Tube)        |

**NOTE:** All component dimensions given in U.S. inches  
1 inch = 25.4 mm

**09/06/2012 CL**