

532 44 56-69



Repair Parts Manual

Manual De Repuestos

YTH23V48/96043012502

Please read the operator's manual carefully and make sure you understand the instructions before using the machine.

Por favor lea cuidadosamente y comprenda estas instrucciones antes de usar esta maquina.



English/Spanish

HOW TO USE THIS MANUAL

This manual is designed to provide the customer with a means to identify the parts on his/her tractor when ordering repair parts. The illustrations may or may not represent the actual assemblies; therefore, it is not recommended to use this manual as a guide to assemble or disassemble the tractor. Some hardware and parts are drawn larger in order to more readily identify them.

Each tractor has its own model number.

The model number for your tractor can be found on the fender under the seat.

When ordering parts, always give the following information:

- Product - "TRACTOR"
- MODEL NUMBER - "YTH23V48" (96043012502)"
- Part Number
- Part Description

TABLE OF CONTENTS

SCHEMATIC	3
ELECTRICAL.....	4-5
CHASSIS	6-7
DRIVE.....	8-9
ENGINE.....	10-11
STEERING	12-13
MOWER DECK.....	14-15
MOWER LIFT.....	16
SEAT	17
DECALS.....	18

COMO UTILIZAR ESTE MANUAL

Este manual está diseñado para brindarle al comprador un medio para identificar las piezas del tractor para cuando necesite hacer el pedido de un repuesto. Las ilustraciones pueden o no representar los ensambles reales; por lo tanto, no se recomienda utilizar este manual como una guía para ensamblar o desarmar el tractor. Algunos accesorios y piezas están dibujados en tamaños más grandes para identificarlos con mayor facilidad.

Cada tractor tiene su propio número de modelo.

El número de modelo del tractor se encuentra en el guardabarros debajo del asiento.

Cuando haga el pedido de una pieza, siempre brinde la siguiente información:

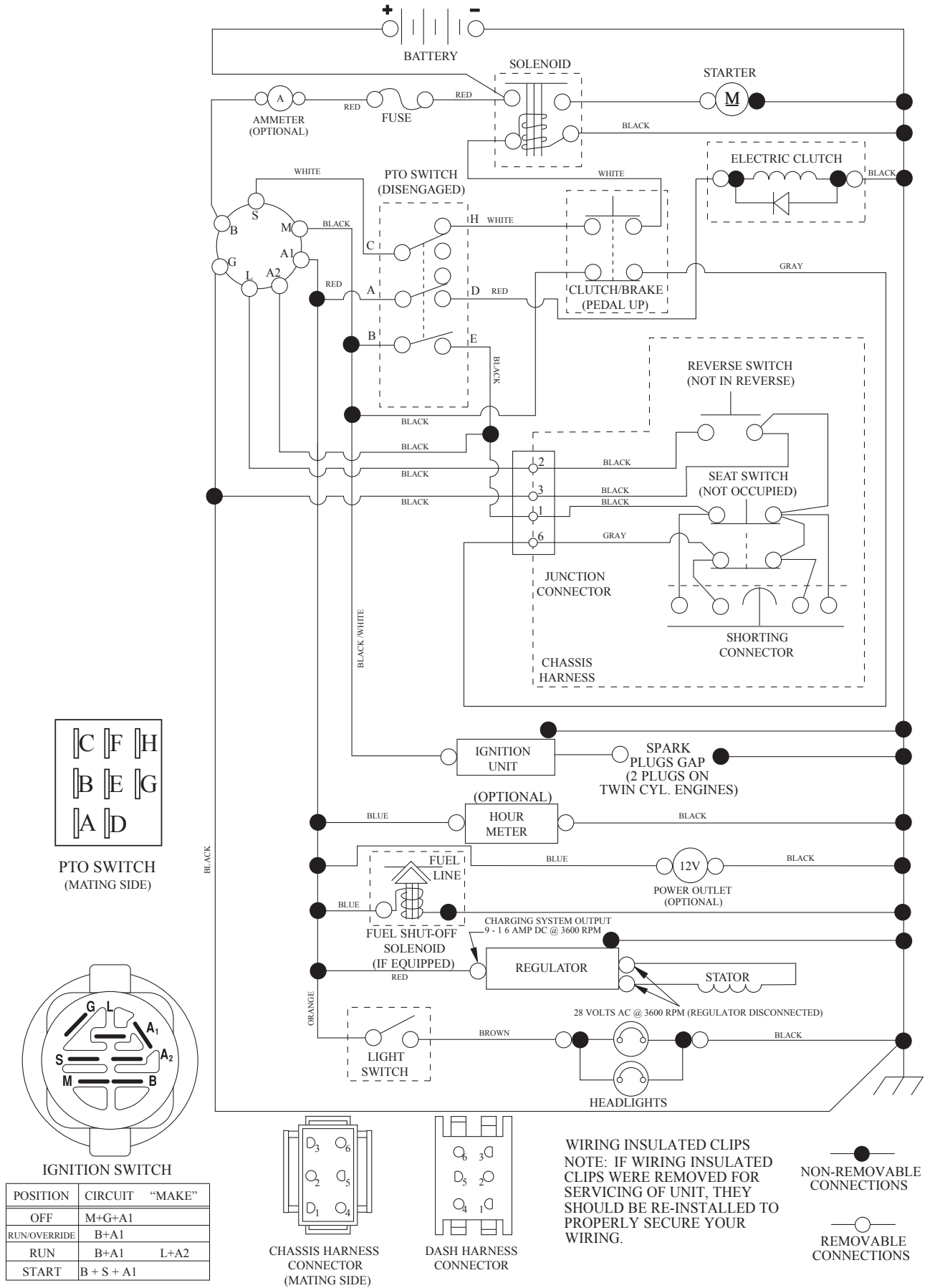
- Producto: "TRACTOR"
- NÚMERO DE MODELO: "YTH23V48" (96043012502)"
- Número de pieza
- Descripción de la pieza

ÍNDICE

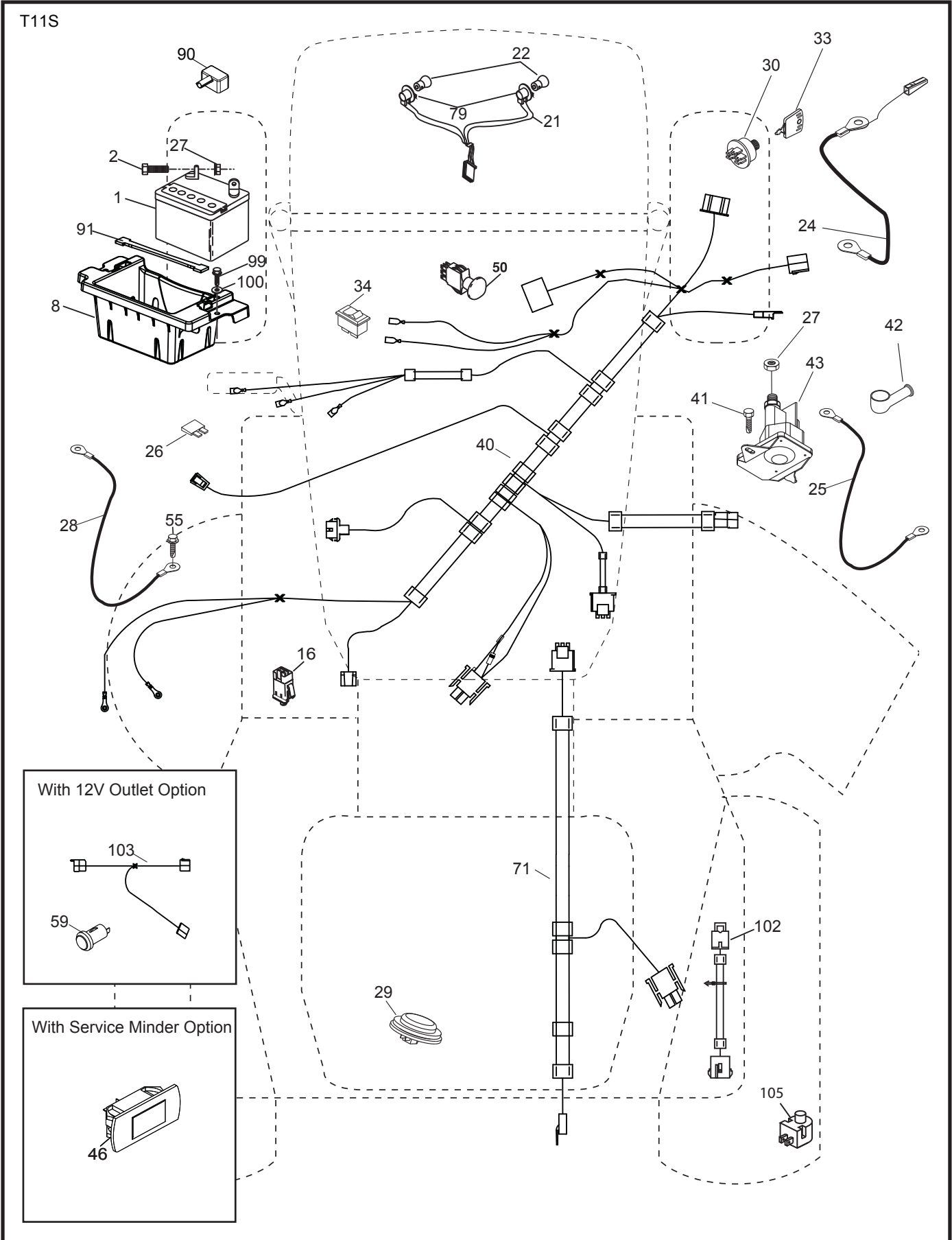
DIAGRAMA.....	19
DIAGRAMA ELÉCTRICO	20-21
CHASIS.....	22-23
TRANSMISIÓN	24-25
MOTOR	26-27
DIRECCIÓN	28-29
PLATAFORMA DE LA CORTADORA DE CÉSPED.....	30-31
ELEVACIÓN DE LA CORTADORA DE CÉSPED.....	32
ASIENTO.....	33
CALCOMANÍAS.....	34

TRACTOR - MODEL NO. YTH23V48 (96043012502), PRODUCT NO. 960 43 01-25 SCHEMATIC

SCH12



**TRACTOR - MODEL NO. YTH23V48 (96043012502), PRODUCT NO. 960 43 01-25
ELECTRICAL**

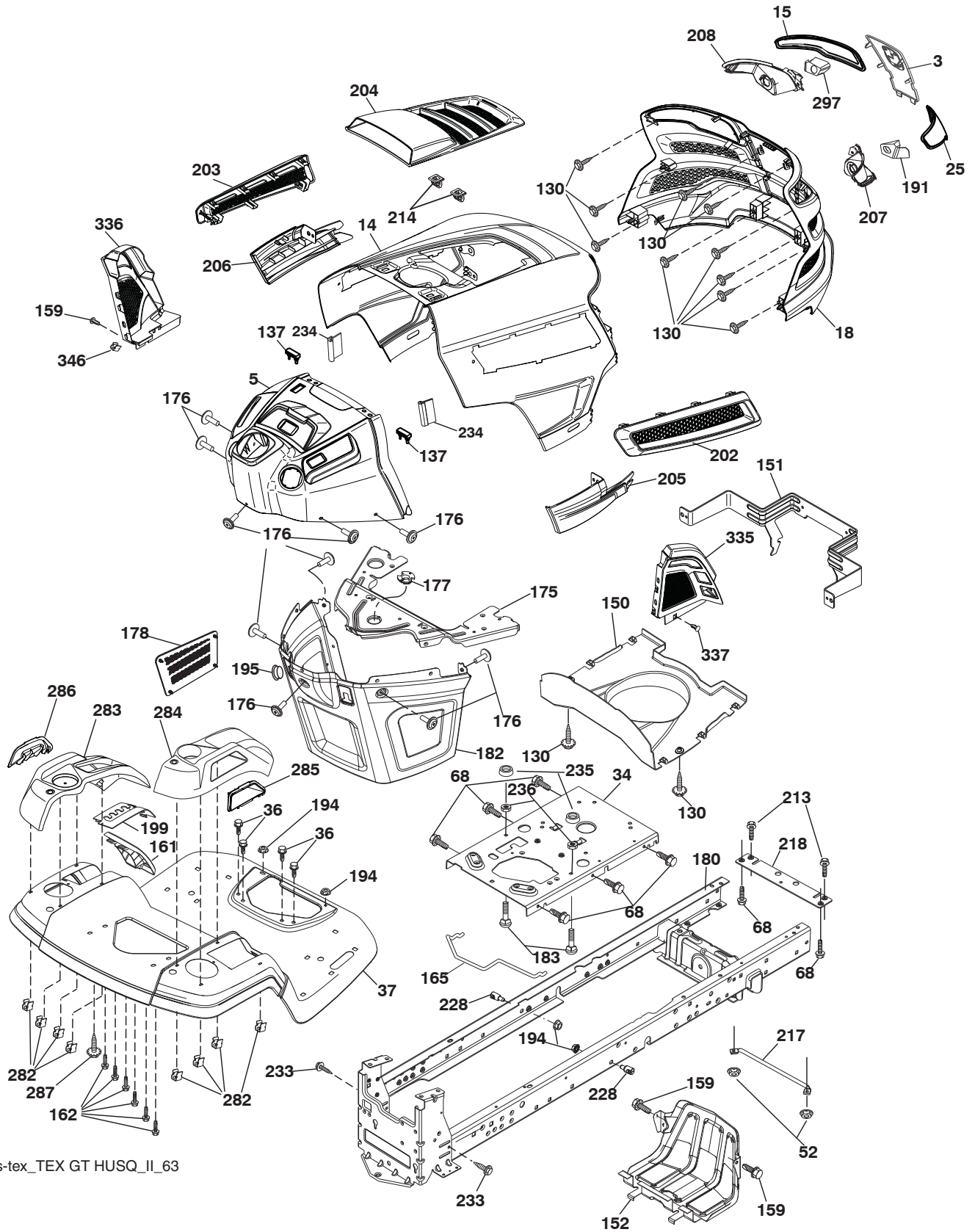


**TRACTOR - MODEL NO. YTH23V48 (96043012502), PRODUCT NO. 960 43 01-25
ELECTRICAL**

KEY NO.	PART NO.	DESCRIPTION
1	532 16 34-65	Battery
2	874 76 04-12	Bolt Hex Hd 1/4-20 unc x 3/4
8	532 41 41-26	Battery Box
16	532 17 61-38	Switch Bagger Present
21	532 40 02-52	Harness Socket Light
22	532 00 41-52	Bulb, Light #1156
24	532 40 02-53	Cable Battery
25	532 41 28-95	Cable Starter
26	532 17 51-58	Fuse
27	873 51 04-00	Nut Keps Hex 1/4-20 unc
28	532 14 54-91	Cable Ground 21" Blk 6 Ga.
29	532 40 15-45	Switch Seat
30	532 19 33-50	Switch Ign
33	532 41 19-33	Key/Chain
34	532 11 07-12	Switch Light/Reset
40	532 40 11-04	Harness Ign. Dash
41	817 72 04-08	Screw Thd Cut 1/4-20 x 1/2
42	532 13 15-63	Cover Terminal Red
43	532 19 25-07	Solenoid
46	532 40 17-63	Gauge Hourmeter
50	532 17 46-51	Switch PTO
55	817 06 05-12	Screw Thdrol 5/16-18 x 3/4
71	532 19 42-76	Harness Ign
79	532 17 52-42	Socket Asm. Bulb Twistlock
90	532 43 53-95	Cover Terminal Battery
91	532 19 02-70	Strap Battery
99	817 67 04-12	Screw Hexwsh Thdrol 1/4-20 x 3/4
100	819 09 14-16	Washer 9/32 x 7/8 x 16 Ga.
102	532 40 44-54	Harness Pigtail
105	532 40 75-68	Switch Reverse TT Pedal Control

NOTE: All component dimensions given in U.S. inches
1 inch = 25.4 mm

**TRACTOR - MODEL NO. YTH23V48 (96043012502), PRODUCT NO. 960 43 01-25
CHASSIS**



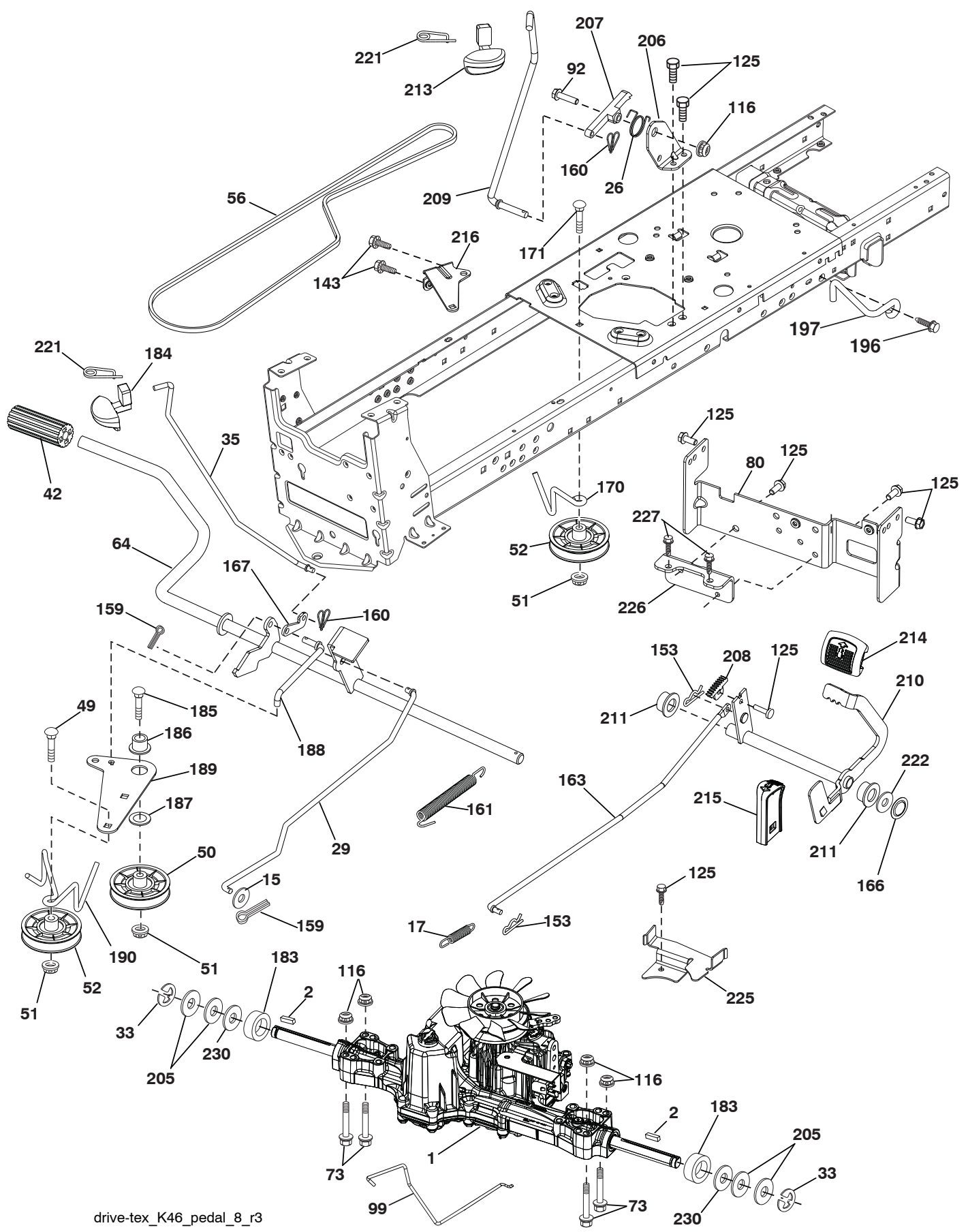
chassis-tex_TEX GT HUSQ_II_63

**TRACTOR - MODEL NO. YTH23V48 (96043012502), PRODUCT NO. 960 43 01-25
CHASSIS**

KEY NO.	PART NO.	DESCRIPTION	KEY NO.	PART NO.	DESCRIPTION
3	532 43 97-52	Logo	203	532 43 97-27	Vent Side Hood LH
5	532 43 74-71	Dash	204	532 43 57-14	Vent Top Hood
14	532 44 11-77	Hood	205	532 43 97-30	Skirt Hood Side RH
15	532 43 97-33	Lens LH	206	532 43 97-29	Skirt Hood Side LH
18	532 43 77-62	Grille Asm.	207	532 43 97-34	Bezel RH
25	532 44 33-85	Lens RH	208	532 43 97-35	Bezel LH
34	532 19 61-25	Plate Engine	213	874 76 05-12	Bolt 5/16-18 unc x 3/4
36	817 06 05-12	Screw 5/16-18 x 3/4	214	532 19 91-45	Clip Retainer Tinner
37	532 44 11-78	Fender	217	532 40 91-67	Rod Pivot
52	873 68 05-00	Nut Lock 5/16-18	218	532 19 63-95	X-Piece Hood Stop
68	817 49 05-08	Screw 5/16-18 x 1/2	228	532 19 51-61	Stud Fastner
130	532 41 63-58	Screw #10 x 0.750 BOS Thread	233	532 19 65-39	Bolt, Shoulder
137	532 40 75-90	Bumper Dash	234	532 40 47-42	Bumper Hood
150	532 43 97-74	Air Duct	235	532 40 61-29	Spacer Fender
151	532 43 66-70	Pivot Bracket	236	873 93 05-00	Nut Lock 5/16-18 unc
152	532 43 60-86	Shield Browning	282	532 41 41-10	Clip Retainer Console
159	817 00 06-12	Screw 5/16-18 x 3/4	283	532 43 98-61	Console Asm. Decklift
161	532 43 97-81	Window Fuel	284	532 43 98-23	Console Asm.
162	532 14 24-32	Screw	285	532 41 63-15	Console Insert RH
165	532 19 68-26	Support Tank Rear	286	532 41 63-17	Console Insert LH
175	532 19 63-04	Crossmember	287	817 60 04-06	Screw Hex Washhead 1/4-20 x 3/8
176	532 40 07-76	Screw 10-24 x 5/8	297	532 43 74-56	Insert Reflective LH
177	532 19 52-27	Bushing Steering	335	532 43 98-47	Cover Lower Dash Close Out RH
178	532 19 97-82	Cargo Asm. Net	336	532 44 53-09	Cover Lower Dash Close Out LH
180	532 19 54-57	Chassis	337	532 43 81-37	Clip Xms Tree
182	532 40 68-59	Dash Lower	346	532 12 64-71	Clip Insulator 13/32
183	874 52 05-20	Bolt 5/16-18 x 1-1/4 Full. Thd.	--	532 43 18-83	Kit Bumper
191	532 43 74-55	Insert Reflective RH			
194	873 90 05-00	Nut Lock Hex Flange 5/16-18			
195	532 40 41-37	Plug Hole Dash Lower			
199	532 41 34-85	Plate Deck Lift			
202	532 43 97-28	Vent Side Hood RH			

NOTE: All component dimensions given in U.S. inches
1 inch = 25.4 mm

**TRACTOR - MODEL NO. YTH23V48 (96043012502), PRODUCT NO. 960 43 01-25
DRIVE**



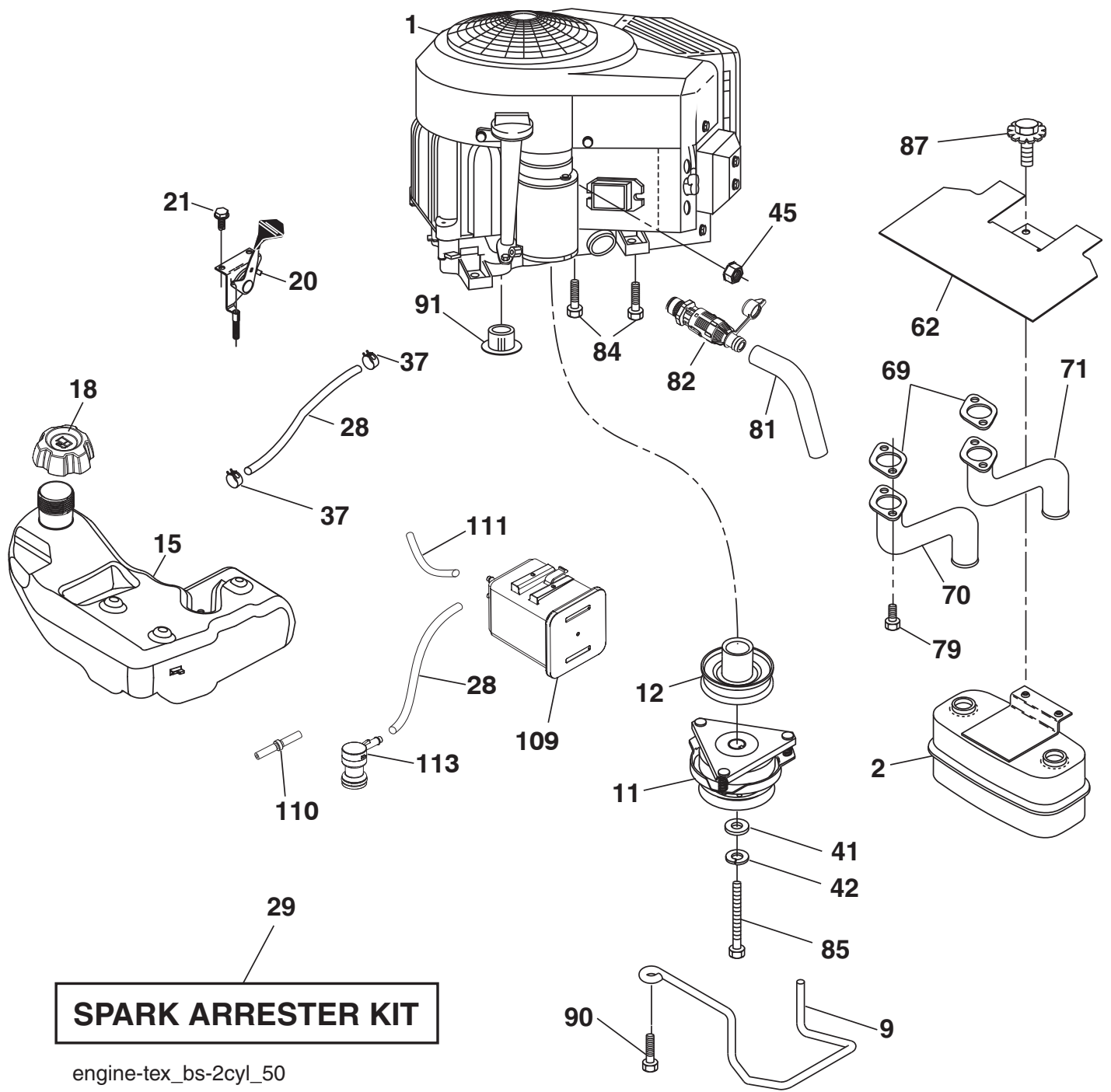
drive-tex_K46_pedal_8_r3

TRACTOR - MODEL NO. YTH23V48 (96043012502), PRODUCT NO. 960 43 01-25 DRIVE

KEY NO.	PART NO.	DESCRIPTION	KEY NO.	PART NO.	DESCRIPTION
1	---	Transaxle, TUFFTORQ K46 BT (426120)(Order parts from transaxle manufacturer)	171	872 11 06-16	Bolt RDHD SQNK 3/8-16 unc x 2
2	532 12 35-83	Key	183	532 13 70-57	Spacer Split
15	819 13 13-16	Washer 13/32 x 13/16 x 16 Ga.	184	532 44 14-55	Handle Parking Brake
17	532 41 36-78	Spring, Brake	185	872 11 06-22	Bolt Rdhd Sqnk 3/8-16 x 2-3/4 Gr. 5
26	532 19 96-79	Spring Return Cruise	186	532 19 43-21	Spacer Retainer
29	532 40 38-06	Rod, Brake	187	819 13 32-10	Washer
33	812 00 00-01	Ring E	188	532 19 43-23	Link Clutch Ground Drive
35	532 43 54-86	Rod, Brake, Park	189	532 19 43-17	Bellcrank Ground Drive
42	532 12 48-72	Cover, Foot Pedal	190	532 19 43-18	Keeper Bellcrank Ground Drive
49	872 11 06-14	Bolt	196	817 00 06-16	Screw 3/8-16 x 1
50	532 19 43-27	Pulley Idler Flat	197	532 19 58-04	Bracket Clutch Anti-Rotation
51	873 90 06-00	Lock Nut 3/8-16	205	532 12 17-48	Washer
52	532 19 43-26	Idler V-Groove 910" Offset	206	532 19 78-67	Bracket Mount Latch Cruise
56	532 13 09-69	V-Belt, Drive	207	532 19 78-68	Latch Control Cruise
64	532 19 78-65	Shaft Asm. Pedal Brake Control	208	532 19 78-69	Gear Sector Control Cruise
73	874 49 05-40	Bolt Hex Flghd 5/16-18 Gr. 5	209	532 19 95-92	Rod Control Cruise
80	532 44 06-19	Strap Torque	210	532 40 09-80	Rocker Asm. Pedal Control
92	874 76 05-20	Bolt Fin Hex 5/16-18 unc x 1.25	211	532 12 01-83	Bearing Nylon
99	532 41 57-42	Rod Asm. Bypass	213	532 40 31-19	Knob Control Cruise
116	873 90 05-00	Nut Lock Hex Flange 5/16-18	214	532 42 12-63	Pedal Forward Pad
125	817 00 05-12	Screw 5/16-18 x 3/4	215	532 40 17-23	Pedal Reverse
143	817 49 05-08	Screw 5/16-18 x 1/2	216	532 19 61-31	Bracket Pulley Idler
153	532 12 47-88	Retainer Spring	221	532 40 31-87	Retainer Spring Clip Handle
159	876 02 04-12	Pin Cotter 1/8 x 3/4	222	879 21 20-10	Washer 21/32 x 1-1/4 x 10 Ga.
160	532 16 94-84	Retainer Clip	227	817 49 05-12	Screw Thd. 5/16-18 x 3/4
161	532 10 57-09	Spring, Return, Clutch	225	532 40 33-19	Keeper Belt Trans.
163	532 40 10-34	Rod Pedal Control	226	532 40 15-64	Bracket Mount Torque
166	532 42 91-64	Nut Push	230	532 18 89-67	Washer Hardened
167	532 40 52-57	Latch Brake Parking			
170	532 19 43-22	Keeper Belt Centerspan			

NOTE: All component dimensions given in U.S. inches
1 inch = 25.4 mm

**TRACTOR - MODEL NO. YTH23V48 (96043012502), PRODUCT NO. 960 43 01-25
ENGINE**



TRACTOR - MODEL NO. YTH23V48 (96043012502), PRODUCT NO. 960 43 01-25 ENGINE

KEY NO.	PART NO.	DESCRIPTION
1	-- -- -- --	Engine Briggs Model No. 445577-4187-G1 (440269) (Order parts from engine manufacturer)
2	532 14 97-23	Muffler
9	532 19 43-20	Keeper Belt Engine
11	532 40 00-08	Clutch Electric
12	532 40 50-97	Pulley Engine
15	532 41 41-51	Tank Fuel
18	532 43 92-08	Cap Asm
20	532 42 35-02	Control Throttle
21	532 41 63-58	Screw #10 x 0.750 BOS Thread
28	532 40 11-35	Fuel Line
29	532 13 71-80	Spark Arrester Kit
37	532 12 34-87	Clamp Hose
41	532 12 61-97	Washer 1-1/2 OD x 15/32 ID x .250
42	810 04 07-00	Washer Lock 7/16
45	873 51 04-00	Nut Keps Hex 1/4-20 unc
62	532 43 40-17	Shield Heat Muffler
69	532 16 53-91	Gasket
70	532 15 99-55	Tube Exhaust LH
71	532 16 05-89	Tube Exhaust RH
79	532 18 39-06	Screw Socket Head 5/16-18 x 1
81	532 14 84-56	Tube Drain Oil Easy
82	532 42 82-87	Valve Oil Drain
84	817 06 06-20	Screw 3/8-16 x 1-1/4
85	532 17 39-37	Bolt Hex 7/16-20 x 4 Gr. 5
87	532 17 18-77	Bolt 5/16-18 unc x 1 w/Sems
90	817 00 06-16	Screw 3/8-16 x 1
91	532 18 74-95	Bushing
109	532 41 41-14	Canistor Carbon
110	532 41 41-18	Valve Asm.
111	532 41 41-19	Purge Line
113	532 41 41-27	Valve Slant

NOTE: All component dimensions given in U.S. inches
1 inch = 25.4 mm

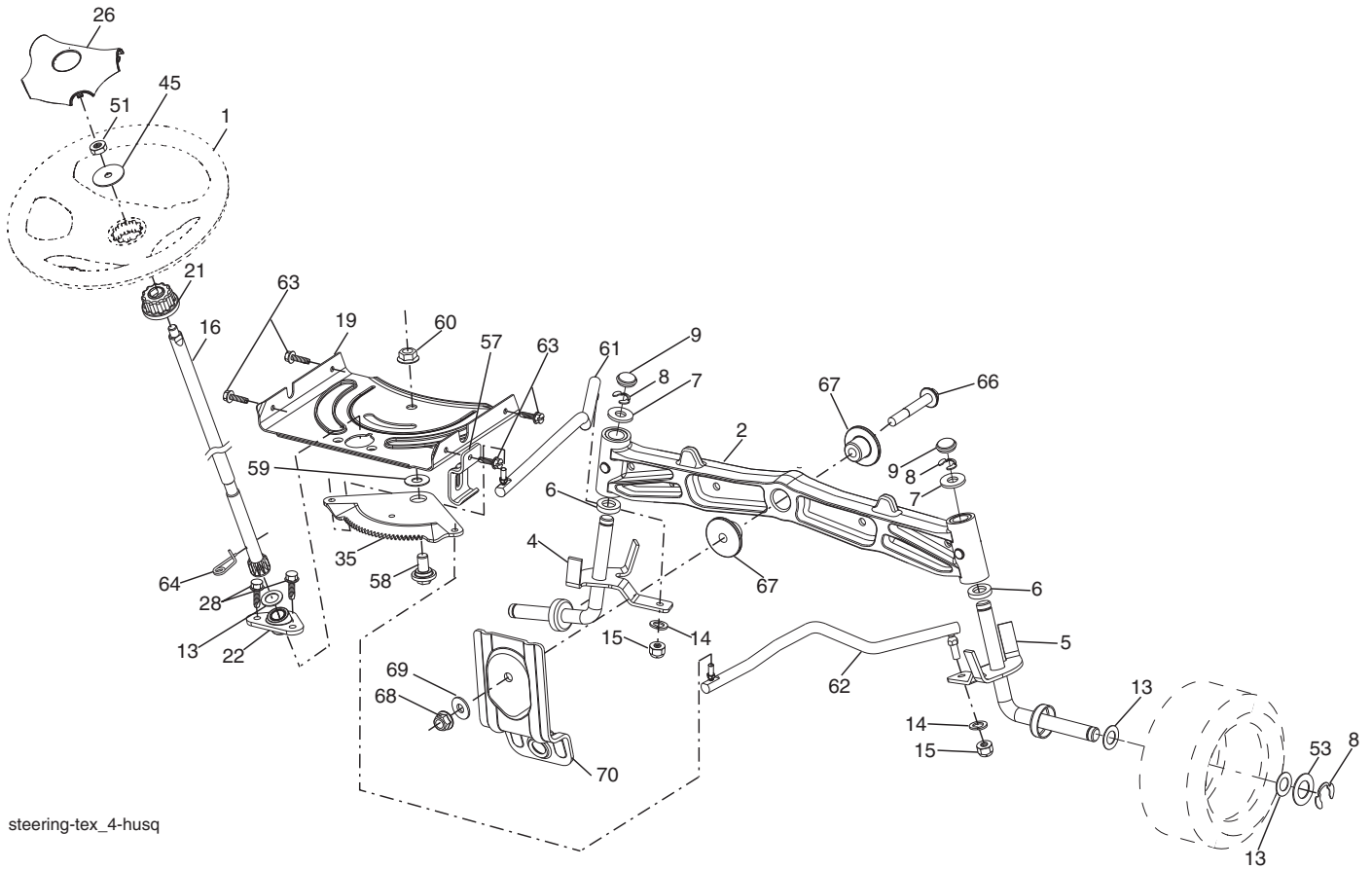
For engine service and replacement parts, call the toll free number for your engine manufacturer listed below:

Briggs & Stratton 1-800-233-3723

Engine Power Rating Information

The gross power rating for individual gas engine models is labeled in accordance with SAE (Society of Automotive Engineers) code J1940 (Small Engine Power & Torque Rating Procedure), and rating performance has been obtained and corrected in accordance with SAE J1995 (Revision 2002-05). Torque values are derived at 3060 RPM; horsepower values are derived at 3600 RPM. Actual gross engine power will be lower and is affected by, among other things, ambient operating conditions and engine-to-engine variability. Given both the wide array of products on which engines are placed and the variety of environmental issues applicable to operating the equipment, the gas engine will not develop the rated gross power when used in a given piece of power equipment (actual "on-site" or net power). This difference is due to a variety of factors including, but not limited to, accessories (air cleaner, exhaust, charging, cooling, carburetor, fuel pump, etc.), application limitations, ambient operating conditions (temperature, humidity, altitude), and engine-to-engine variability. Due to manufacturing and capacity limitations, Briggs & Stratton may substitute an engine of higher rated power for this Series engine.

TRACTOR - MODEL NO. YTH23V48 (96043012502), PRODUCT NO. 960 43 01-25
STEERING ASSEMBLY



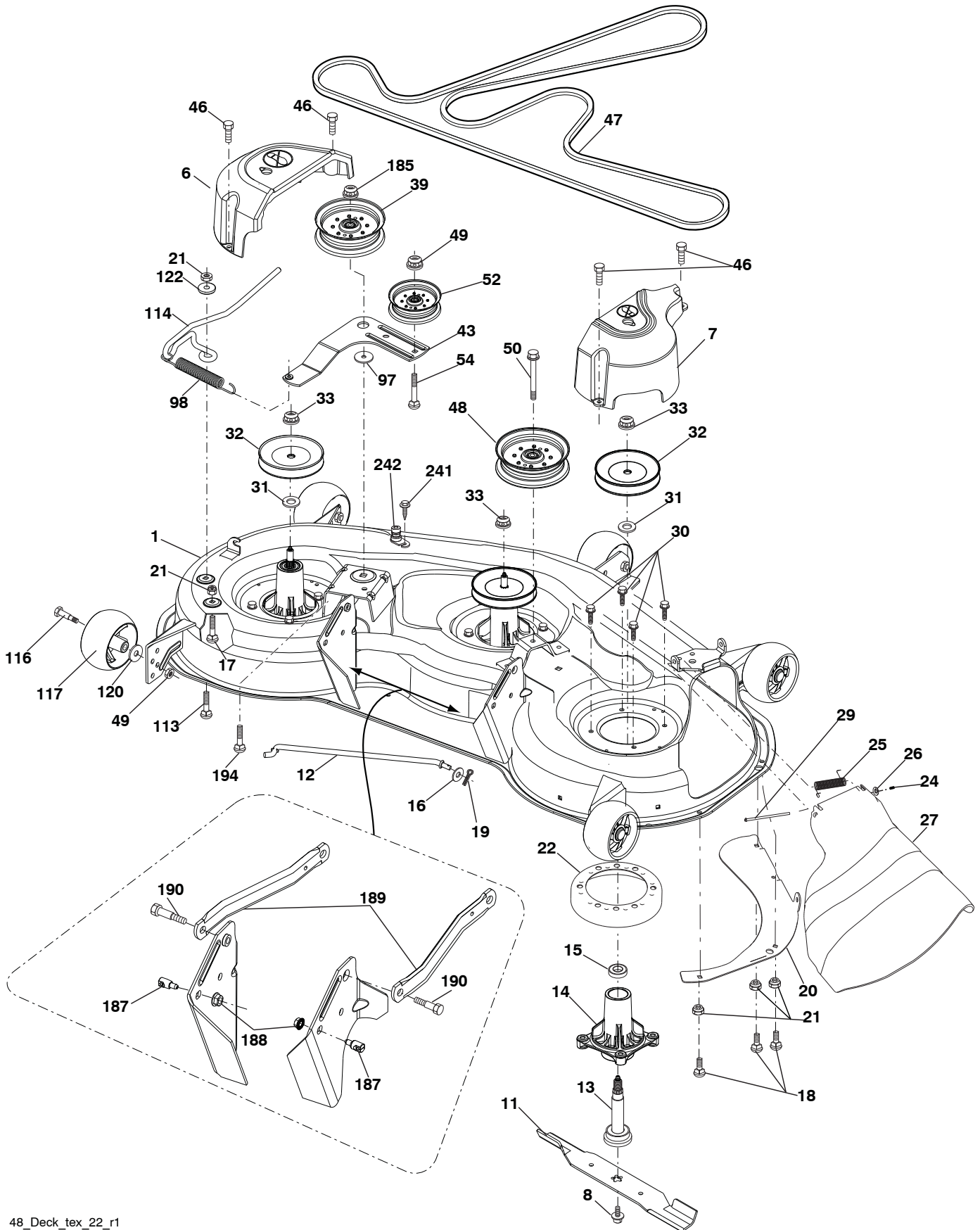
steering-tex_4-husq

**TRACTOR - MODEL NO. YTH23V48 (96043012502), PRODUCT NO. 960 43 01-25
STEERING ASSEMBLY**

KEY NO.	PART NO.	DESCRIPTION
1	532 43 97-40	Wheel, Steering
2	532 19 59-68	Axle Asm., Front
4	532 40 30-87	Spindle Asm., LH
5	532 40 30-88	Spindle Asm., RH
6	532 12 49-31	Bearing, Race Thrust Harden
7	532 12 17-48	Washer 25/32 x 1-5/8 x 16 Ga.
8	812 00 00-29	Ring, Clip #T5304-75
9	532 12 12-32	Cap, Spindle
13	532 12 17-49	Washer 25/32 x 1-1/4 x 16 Ga.
14	810 04 06-00	Washer, Lock Hvy Hlcl Spr 3/8
15	873 54 06-00	Nut, Crown Lock 3/8-24 unf
16	532 40 82-19	Shaft Steering
19	532 19 47-29	Plate Steering
21	532 18 67-37	Adapter, Wheel Steering
22	532 42 05-37	Steering, Support Lower
26	532 43 97-43	Insert, Wheel Steering
28	817 00 06-12	Screw 3/8-16 x 3/4
35	532 19 47-32	Gear, Sector Plate
45	819 18 38-12	Washer 9/16 x 2-3/8 x 12 Ga.
51	873 94 08-00	Nut Hex Jam Toplock 1/2-20 unf
53	532 18 89-67	WasherHardened.793x1.637x.060
57	532 19 72-46	Bracket Upstop
58	532 19 47-47	Bolt Shoulder Sector Pivot CFM
59	532 19 47-48	Washer Thrust Sector Steering
60	873 97 10-00	Nut Flange Lock 5/8-11
61	532 19 47-40	Draglink, LH
62	532 19 47-41	Draglink, RH
63	817 00 05-12	Screw 5/16-18 x 3/4
64	532 19 98-49	Retainer Clip Spring Steering
66	871 02 07-48	Bolt Hex Fghd 7/16-14 x 3 Serr
67	532 19 47-37	Bushing PM Front Axle
68	873 90 07-00	Nut Lock Flange 7/16-14 Gr. 5
69	532 19 91-62	Washer 1.5 x .505 x .118
70	532 19 61-97	Bracket Deck Susp. Front

NOTE: All component dimensions given in U.S. inches
1 inch = 25.4 mm

TRACTOR - MODEL NO. YTH23V48 (96043012502), PRODUCT NO. 960 43 01-25
MOWER DECK



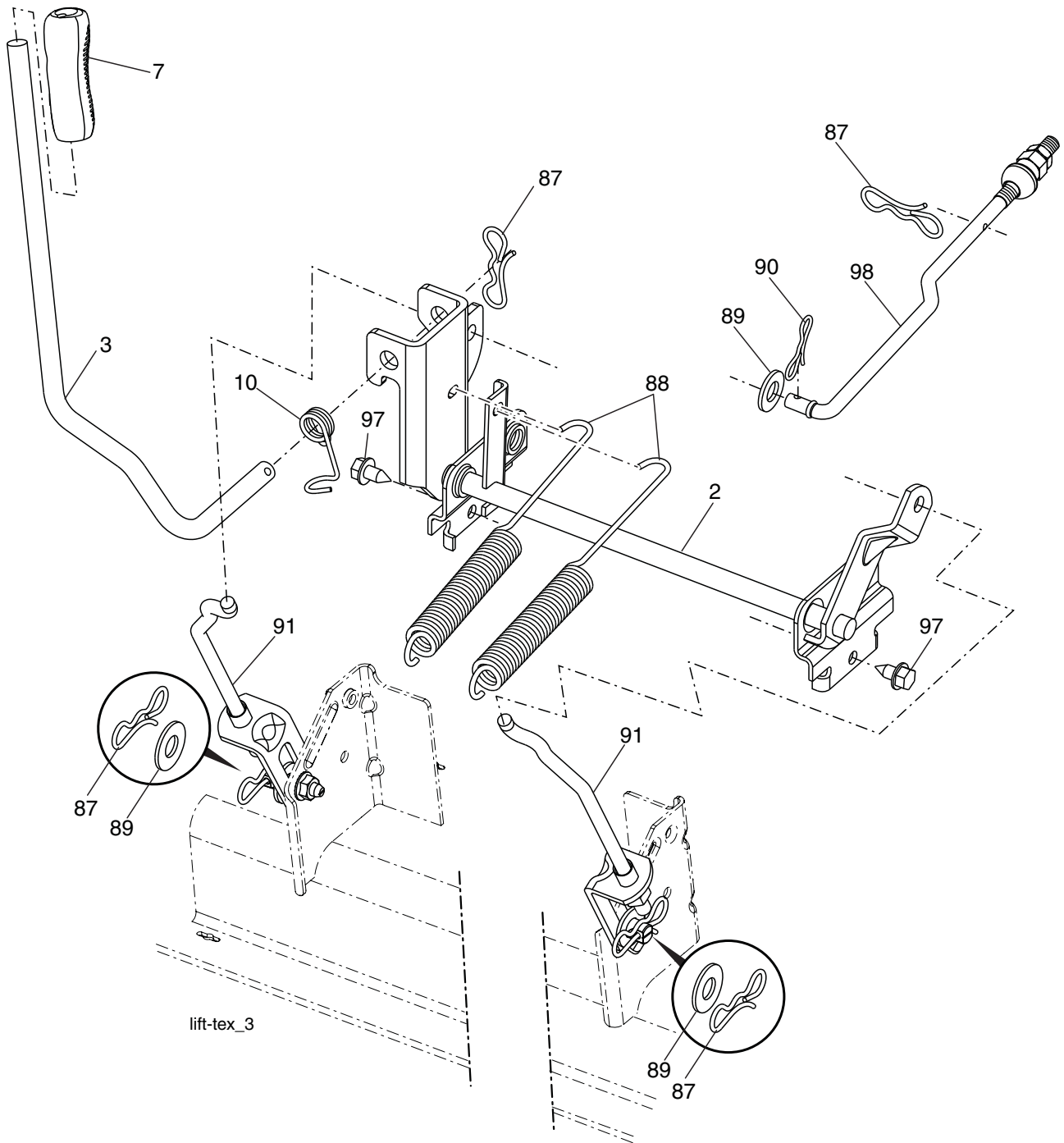
**TRACTOR - MODEL NO. YTH23V48 (96043012502), PRODUCT NO. 960 43 01-25
MOWER DECK**

KEY NO.	PART NO.	DESCRIPTION
1	532 44 00-48	Deck Weldment Mower
6	532 19 72-48	Cover Mandrel LH
7	532 19 91-02	Cover Mandrel RH
8	532 19 30-03	Bolt 7/16 Asm. Blade
11	532 18 00-54	Blade High Lift
12	532 40 48-51	Rod Anti-Sway
13	532 18 72-91	Shaft Asm. w/Lower Bearing
14	532 18 72-81	Housing, Mandrel
15	532 11 04-85	Bearing, Ball, Mandrel
16	819 13 13-12	Washer 13/32 x 13/16 x 12 Ga.
17	872 11 05-05	Bolt 5/16-18 x 5/8
18	872 14 05-05	Bolt RdHd 5/16-18 unc x 5/8
19	532 19 42-08	Pin Cotter 5/16 Bow Tie Lock
20	532 17 43-78	Baffle Vortex
21	873 68 05-00	Nut, Crownlock 5/16-18 unc
22	532 17 44-93	Stripper Mandrel
24	532 10 53-04	Cap Sleeve
25	532 17 81-02	Spring, Torsion
26	532 11 04-52	Nut, Push
27	532 18 17-07	Deflector Shield
29	532 13 14-91	Rod, Hinge
30	532 17 39-84	Screw, Thdroll Washer Head
31	532 18 76-90	Washer, Spacer Mower Vented
32	532 15 35-32	Pulley, Mandrel
33	532 40 02-34	Nut, Flg. Top Lock
39	532 19 73-80	Pulley, Idler, 4.50 Hub
43	532 19 60-65	Arm, Idler
46	532 13 77-29	Screw, Thdroll. 1/4-20 x 5/8
47	532 19 72-42	Belt Deck Drive
48	532 19 73-79	Pulley Idler 4.50 RAW

KEY NO.	PART NO.	DESCRIPTION
49	873 90 06-00	Nut, Lock Flg. 3/8-16 unc
50	817 49 06-36	Screw TT 3/8-16 x 2-1/4
52	532 19 31-97	Pulley Idler 48" Primary
54	872 11 06-12	Bolt Carr. Sh 3/8-16 x 1-1/2 Gr. 5
97	532 17 85-15	Washer Hardened
98	532 19 61-05	Spring Drive
113	872 11 05-08	Bolt Rdhd Sqnk 5/16-18 x 3/4
114	532 19 74-51	Rod Tension Relief
116	532 19 34-06	Bolt, Shoulder
117	532 17 48-73	Gauge Wheel
120	819 13 20-12	Washer 13/32 x 1-1/4 x 12 Ga.
122	532 18 75-57	Bushing Tension Relief
185	873 90 07-00	Nut Lock Flange 7/16-14 Gr. 5
187	532 19 51-61	Stud Fastener w/"D" Anti-Rotation
188	873 90 05-00	Nut Lock Hex Flange
189	532 19 51-85	Arm Susp. Mower Rear
190	532 19 65-39	Bolt Shoulder
194	874 49 07-36	Bolt Hex Washer Head 7/16-14 x 2.25
241	532 15 29-27	Screw TT #10-32.5 3/8 Flange
242	532 41 55-98	Port, Washout
--	532 41 64-05	Coupling Quick Connect
--	532 18 72-92	Mandrel Assembly (Includes housing, shaft assembly, and bearing only - pulley/nut/washer and blade bolt/washers not included)
--	532 43 18-25	Replacement Mower, Complete

NOTE: All component dimensions given in U.S. inches
1 inch = 25.4 mm

**TRACTOR - MODEL NO. YTH23V48 (96043012502), PRODUCT NO. 960 43 01-25
MOWER LIFT**

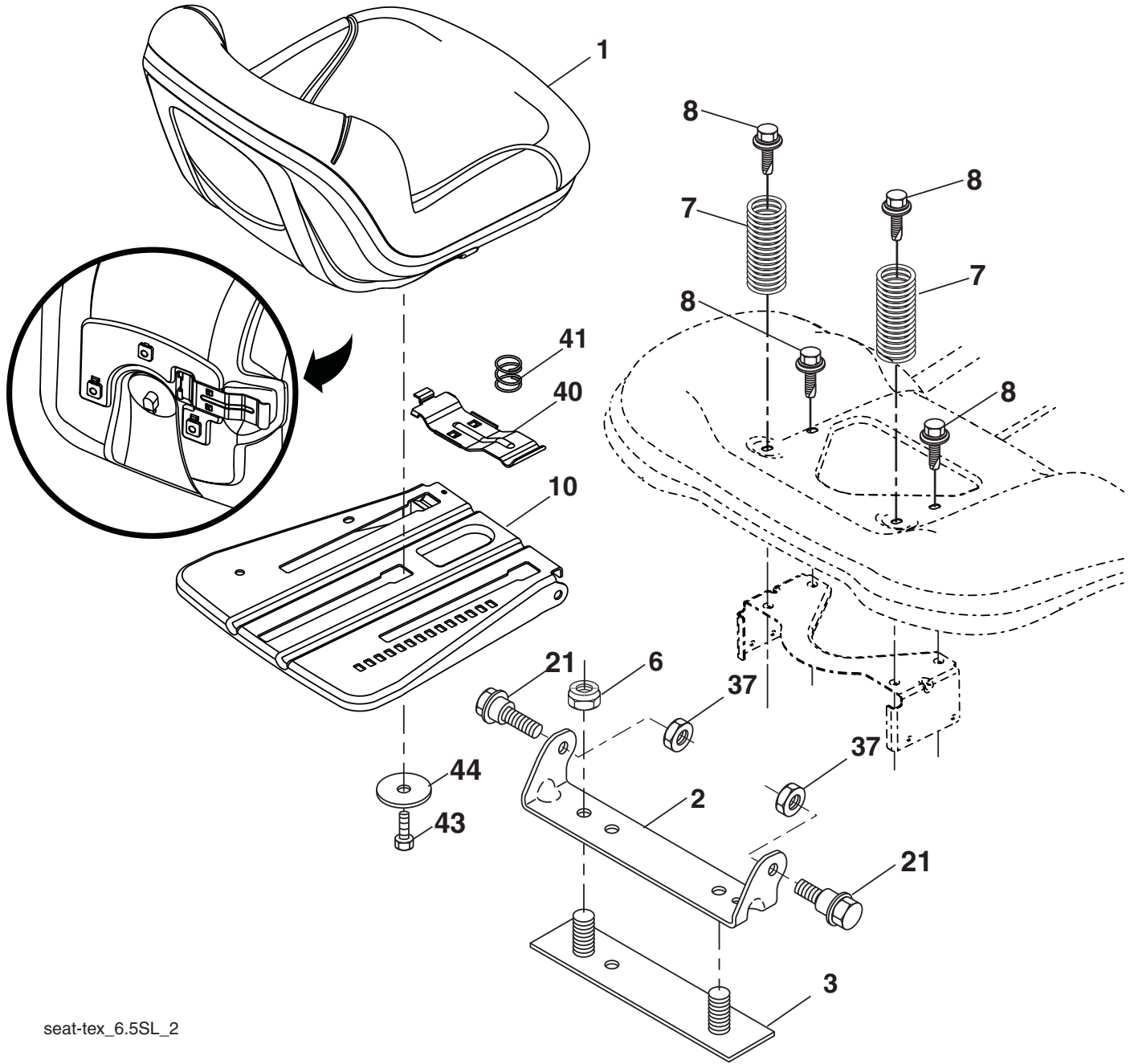


KEY NO.	PART NO.	DESCRIPTION
2	532 42 20-27	Shaft Asm. Cross, Lift
3	532 19 52-31	Lever Asm., Lift
7	532 41 15-55	Grip, Lever
10	532 19 63-14	Spring Torsion
87	532 19 42-09	Pin Cotter 7/16 Bow Tie Lock
88	532 41 07-10	Spring Lift Assist
89	819 19 19-12	Washer Clear Zinc

KEY NO.	PART NO.	DESCRIPTION
90	532 19 42-08	Pin Cotter 5/16 Bow Tie Lock
91	532 19 51-81	Link Lift Susp Mower Rear
97	817 00 06-12	Screw 3/8-16 x .75
98	532 19 52-64	Link Lift Susp. Front Mower

NOTE: All component dimensions given in U.S. inches
1 inch = 25.4 mm

**TRACTOR - MODEL NO. YTH23V48 (96043012502), PRODUCT NO. 960 43 01-25
SEAT ASSEMBLY**



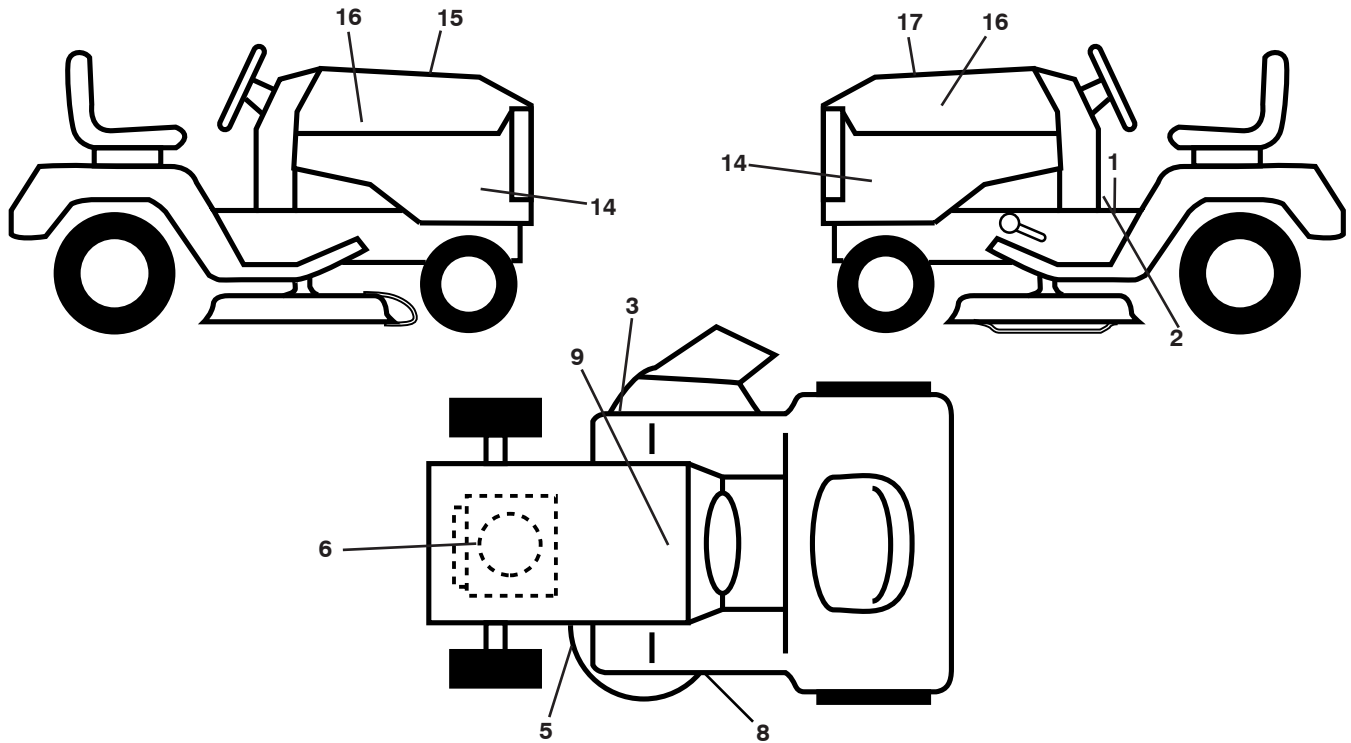
seat-tex_6.5SL_2

KEY NO.	PART NO.	DESCRIPTION
1	532 43 98-22	Seat
2	532 18 01-66	Bracket Pivot Fender
3	532 14 06-75	Strap, Asm Fender
6	873 80 06-00	Nut, Lock w/Ins. 3/8-16 unc
7	532 12 41-81	Spring, Seat Cprsn
8	532 17 18-77	Bolt 5/16-18 unc x 3/4 w/Sems
10	532 19 69-77	Pan, Seat
21	532 17 18-52	Bolt, Shoulder 5/16-18

KEY NO.	PART NO.	DESCRIPTION
37	873 80 05-00	Nut, Lock 5/16-18 unc
40	532 19 76-61	Handle Slide Seat
41	532 19 82-00	Spring Latch Seat
43	874 76 06-12	Bolt 3/8-16 x 3/4
44	819 13 38-12	Washer 13/32 x 2-3/8 x 12 Ga.

NOTE: All component dimensions given in U.S. inches
1 inch = 25.4 mm

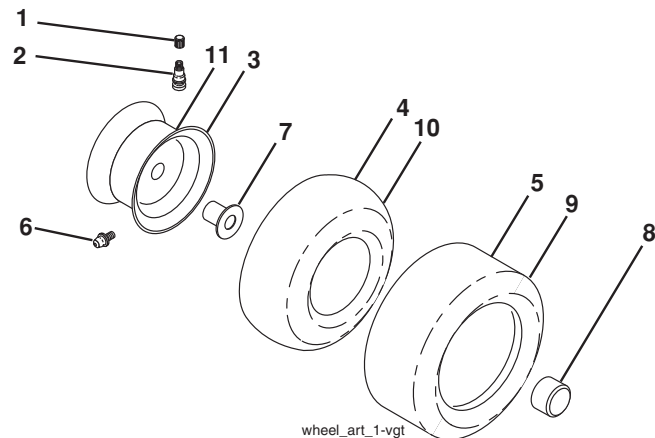
**TRACTOR - MODEL NO. YTH23V48 (96043012502), PRODUCT NO. 960 43 01-25
DECALS**



KEY NO.	PART NO.	DESCRIPTION
1	532 41 16-57	Decal, Warning
2	532 42 41-02	Decal, Warning
3	532 17 05-63	Decal, Keep Away
5	532 17 84-55	Decal, Caution
6	532 42 95-57	Decal, Eng.
8	532 19 87-85	Decal, Mower Sch.
9	532 14 50-05	Decal, Battery Dnge/Poi
14	532 43 86-63	Decal, Panel Side
15	532 42 38-29	Decal, Cust. Resp.

KEY NO.	PART NO.	DESCRIPTION
16	532 42 91-96	Decal, Hood Logo
17	532 43 84-79	Decal, Replacement
--	532 16 69-60	Decal, Bypass
--	532 43 96-81	Pad, Footrest, LH
--	532 43 96-82	Pad, Footrest, RH
--	532 44 50-66	Manual, Operator's (English/Spanish)
--	532 44 56-69	Manual, Repair Parts (English/Spanish)

WHEELS AND TIRES



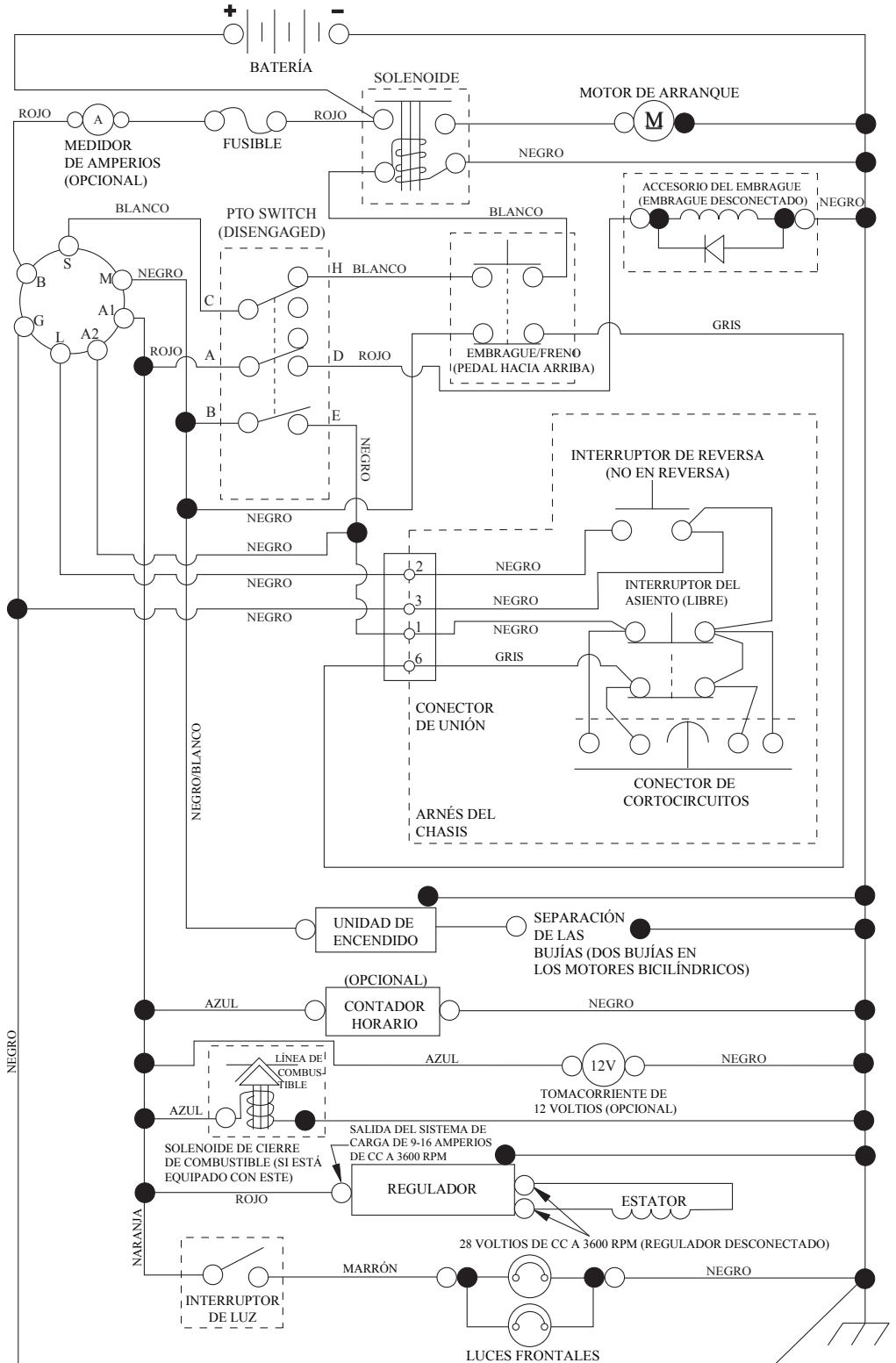
KEY NO.	PART NO.	DESCRIPTION
1	532 05 91-92	Cap, Valve, Tire
2	532 06 51-39	Stem, Valve
3	532 13 83-36	Rim Assembly, Front
4	532 05 99-04	Tube, Front (Service Item Only)
5	532 10 62-22	Tire, Front
6	532 12 49-57	Fitting, Grease (Front Wheel Only)
7	532 12 49-59	Bearing, Flange (Front Wheel Only)
8	532 17 50-39	Cap, Axle
9	532 13 84-68	Tire, Rear
10	532 12 49-26	Tube, Rear (Service Item Only)
11	532 13 83-37	Rim Assembly, Rear
--	532 14 43-34	Sealant, Tire (10 oz. Tube)

NOTE: All component dimensions given in U.S. inches
1 inch = 25.4 mm

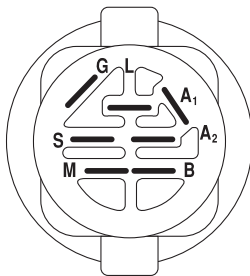
TRACTOR - MODELO NO. YTH23V48 (96043012502), PRODUCT NO. 960 43 01-25

DIAGRAMA

SCH12-s

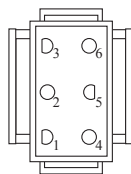


INTERRUPTOR DE PTO (CARA DE ACOPLAMIENTO)

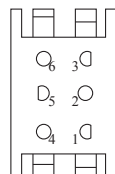


INTERRUPTOR DE ENCENDIDO

POSICIÓN	CIRCUITO «MARCA»
APAGADO	M+G+A1
PONER EN FUNCIONAMIENTO/ANULAR	B+A1
PONER EN FUNCIONAMIENTO	B+A1 L+A2
ARRANCAR	B + S + A1



CONEXIÓN DEL ARNÉS DEL CHASIS (LATERAL QUE COINCIDA)



CONEXIÓN PARA EL ARNÉS DEL TABLERO (LATERAL QUE COINCIDA)

NOTA SOBRE LAS ABRAZADERAS DE AISLAMIENTO DEL CABLEADO: SI SE QUITAN LAS ABRAZADERAS DE AISLAMIENTO DEL CABLEADO PARA HACER EL MANTENIMIENTO DE LA UNIDAD, SE LAS DEBERÁ INSTALAR NUEVAMENTE PARA PROTEGER EL CABLEADO ADECUADAMENTE.

● CONEXIONES NO DESMONTABLES

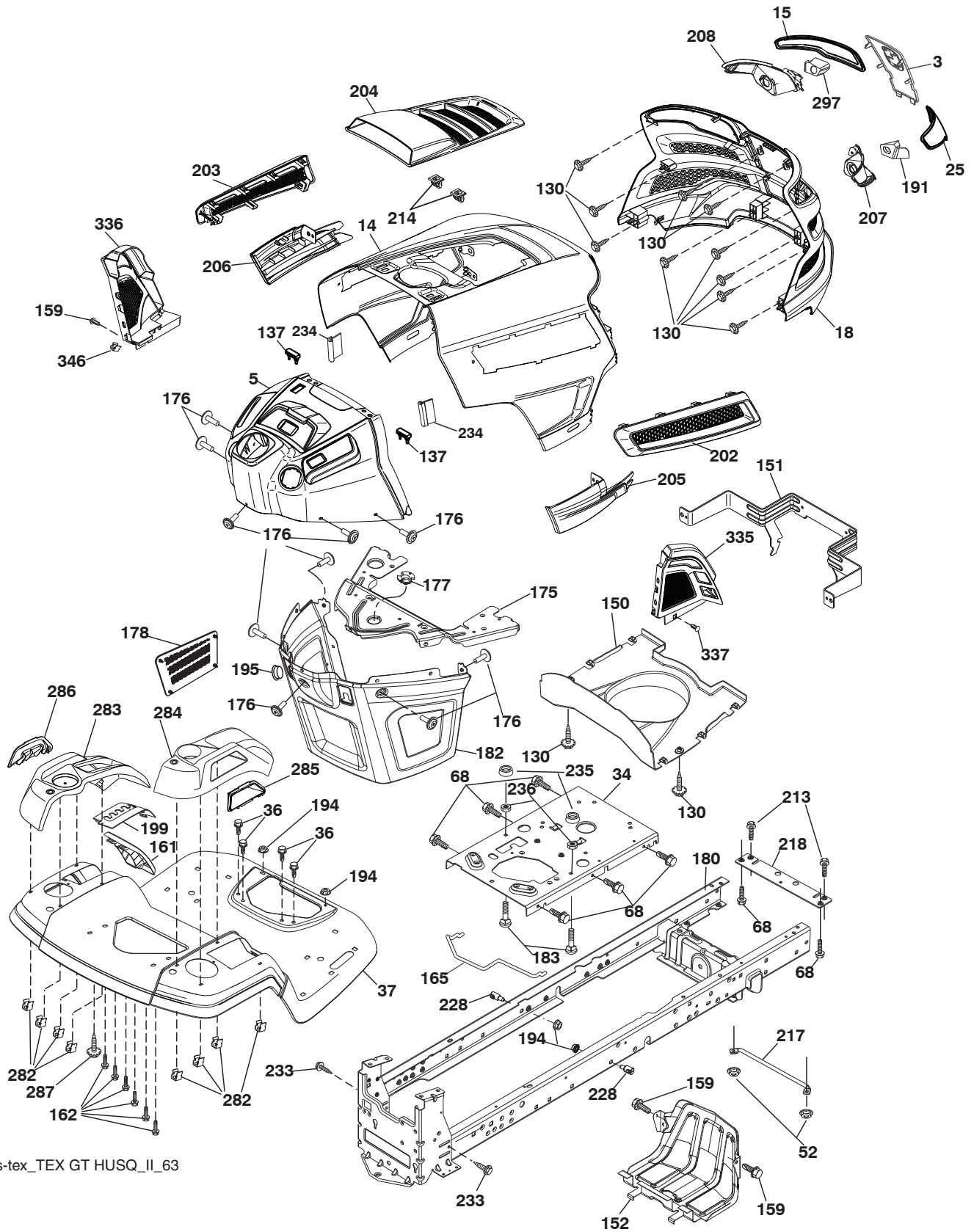
○ CONEXIONES DESMONTABLES

**TRACTOR - MODELO NO. YTH23V48 (96043012502), PRODUCT NO. 960 43 01-25
DIAGRAMA ELÉCTRICO**

CÓDIGO PIEZA		DESCRIPCIÓN
No.	No.	
1	532 16 34-65	Batería
2	874 76 04-12	Perno de cabeza hexagonal de 1/4-20 x 3/4
8	532 41 41-26	Caja de la batería
16	532 17 61-38	Interruptor de bolsa llena
21	532 40 02-52	Cableado del enchufe para la luz
22	532 00 41-52	Bombilla de luz #1156
24	532 40 02-53	Cable
25	532 41 28-95	Cable
26	532 17 51-58	Fusible
27	873 51 04-00	Tuerca hexagonal Keps de 1/4-20 unc
28	532 14 54-91	Cable a tierra 21" negro 6 Ga.
29	532 40 15-45	Interruptor del asiento
30	532 19 33-50	Interruptor de encendido
33	532 41 19-33	Llave/cadena
34	532 11 07-12	Interruptor de luz/de restauración
40	532 40 11-04	Cableado del tablero de encendido
41	817 72 04-08	Tornillo
42	532 13 15-63	Cubierta de la terminal, rojo
43	532 19 25-07	Solenoides
46	532 40 17-63	Indicador
50	532 17 46-51	Interruptor
55	817 06 05-12	Tornillo 5/16-18 x 3/4
71	532 19 42-76	Cableado del tablero
79	532 17 52-42	Enchufe de cierre por torsión del ensamble de la bombilla
90	532 43 53-95	Tapa de los bornes de la batería
91	532 19 02-70	Correa de batería
99	817 67 04-12	Tornillo 1/4-20 x 3/4
100	819 09 14-16	Arandela 9/32 x 7/8 x 16 Ga.
102	532 40 44-54	Cableado
105	532 40 75-68	Interruptor para retroceder TT control del pedal

NOTA: Las dimensiones de todos los componentes están expresadas en pulgadas americanas. 1 pulgada = 25,4 mm

TRACTOR - MODELO NO. YTH23V48 (96043012502), PRODUCT NO. 960 43 01-25
CHASIS



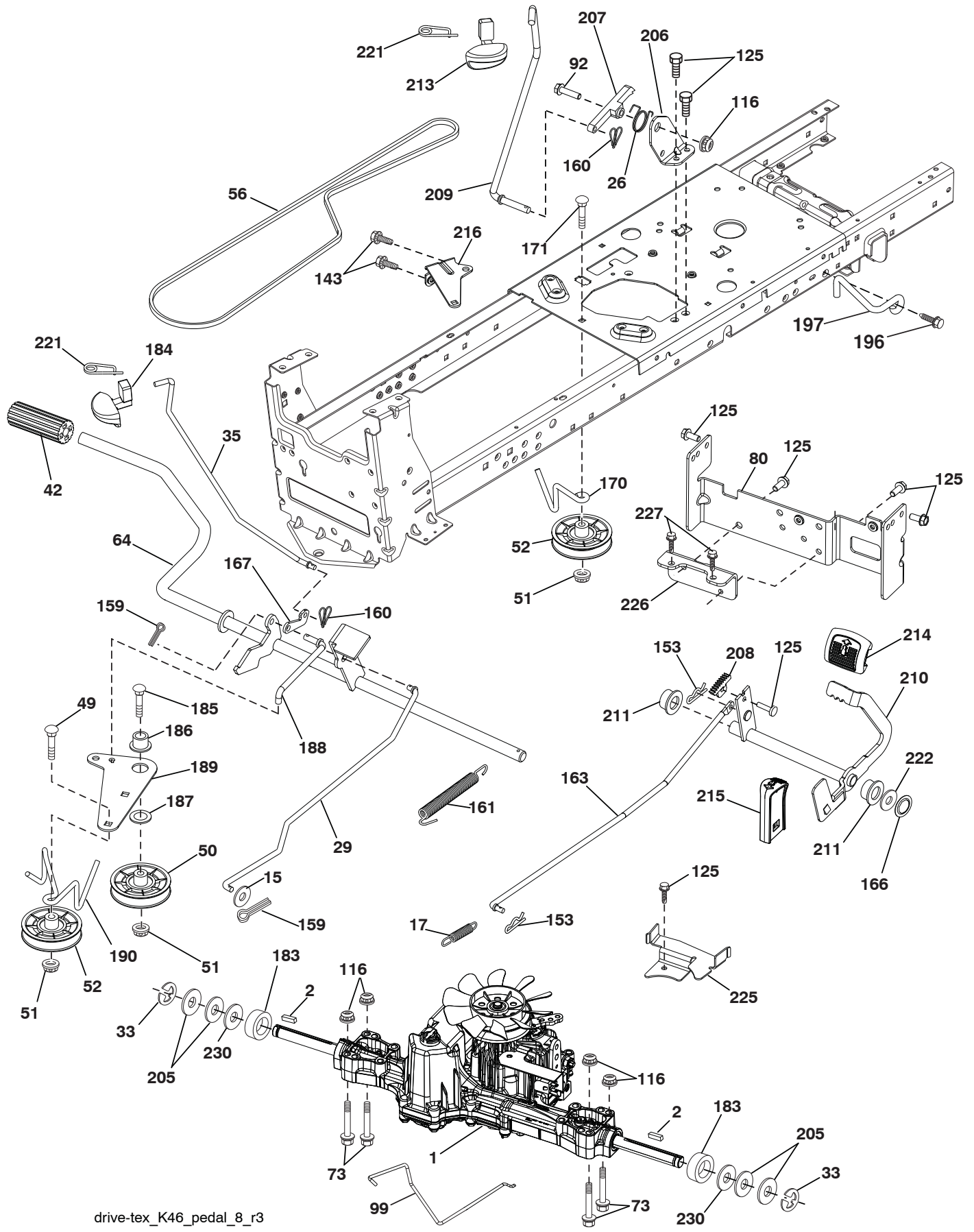
chassis-tex_TEX GT HUSQ_II_63

TRACTOR - MODELO NO. YTH23V48 (96043012502), PRODUCT NO. 960 43 01-25 CHASIS

CÓDIGO PIEZA			CÓDIGO PIEZA		
No.	No.	DESCRIPCIÓN	No.	No.	DESCRIPCIÓN
3	532 43 97-52	Logo	203	532 43 97-27	Salida de Ventilación (LI)
5	532 43 74-71	Tablero	204	532 43 57-14	Salida de Ventilación superior
14	532 44 11-77	Capota	205	532 43 97-30	Camisa de Capota (LD)
15	532 43 97-33	Lente izquierdo de la parrilla	206	532 43 97-29	Camisa de Capota (LI)
18	532 43 77-62	Parrilla	207	532 43 97-34	Bisel derecho
25	532 44 33-85	Lente derecho de la parrilla	208	532 43 97-35	Bisel izquierdo
34	532 19 61-25	Chapa Motor	213	874 76 05-12	Perno 5/16-18 unc x 3/4
36	817 06 05-12	Tornillo de 5/16-18 x 3/4	214	532 19 91-45	Cierre
37	532 44 11-78	Guardabarros	217	532 40 91-67	Varilla giratoria
52	873 68 05-00	Tuerca de presión 5/16-18	218	532 19 63-95	Tope
68	817 49 05-08	Tornillo de 5/16-18 x 1/2	228	532 19 51-61	Sujetador del travesaño
130	532 41 63-58	Tornillo No. 10 x 0,75	233	532 19 65-39	Tornillo
137	532 40 75-90	Cubierta Tablero	234	532 40 47-42	Parachoques
150	532 43 97-74	Cubierta térmica del conducto	235	532 40 61-29	Separador del guardabarros
151	532 43 66-70	Soporte Pivotante	236	873 93 05-00	Tuerca de presión 5/16-18 unc
152	532 43 60-86	Protector contra oscurecimiento	282	532 41 41-10	Abrazadera de retención
159	817 00 06-12	Tornillo 5/16-18 x 3/4	283	532 43 98-61	Ensamble de la consola de la plataforma de elevación
161	532 43 97-81	Ventana de combustible			Consola
162	532 14 24-32	Tornillo	284	532 43 98-23	Inserto del Consola (LD)
165	532 19 68-26	Tanque de combustible, trasero	285	532 41 63-15	Inserto del Consola (LI)
175	532 19 63-04	Travesaño	286	532 41 63-17	Tornillo 1/4 - 20 x 3/8
176	532 40 07-76	Tornillo 10-24 x 5/8	287	817 60 04-06	Parrilla inferior (LI)
177	532 19 52-27	Buje de dirección	297	532 43 74-56	Cubierta (LD)
178	532 19 97-82	Carga la asamblea neta	335	532 43 98-47	Cubierta (LI)
180	532 19 54-57	Chasis	336	532 44 53-09	Sujetador
182	532 40 68-59	Tablero inferior	337	532 43 81-37	Sujetador aislado
183	874 52 05-20	Perno 5/16-18 x 1-1/4	346	532 12 64-71	Cubierta Juego
191	532 43 74-55	Parrilla inferior (LD)	--	532 43 18-83	
194	873 90 05-00	Tuerca de presión de 5/16-18			
195	532 40 41-37	Tapón			
199	532 41 34-85	Chapa			
202	532 43 97-28	Salida de Ventilación (LD)			

NOTA: Las dimensiones de todos los componentes están expresadas en pulgadas americanas. 1 pulgada = 25,4 mm

TRACTOR - MODELO NO. YTH23V48 (96043012502), PRODUCT NO. 960 43 01-25
TRANSMISIÓN



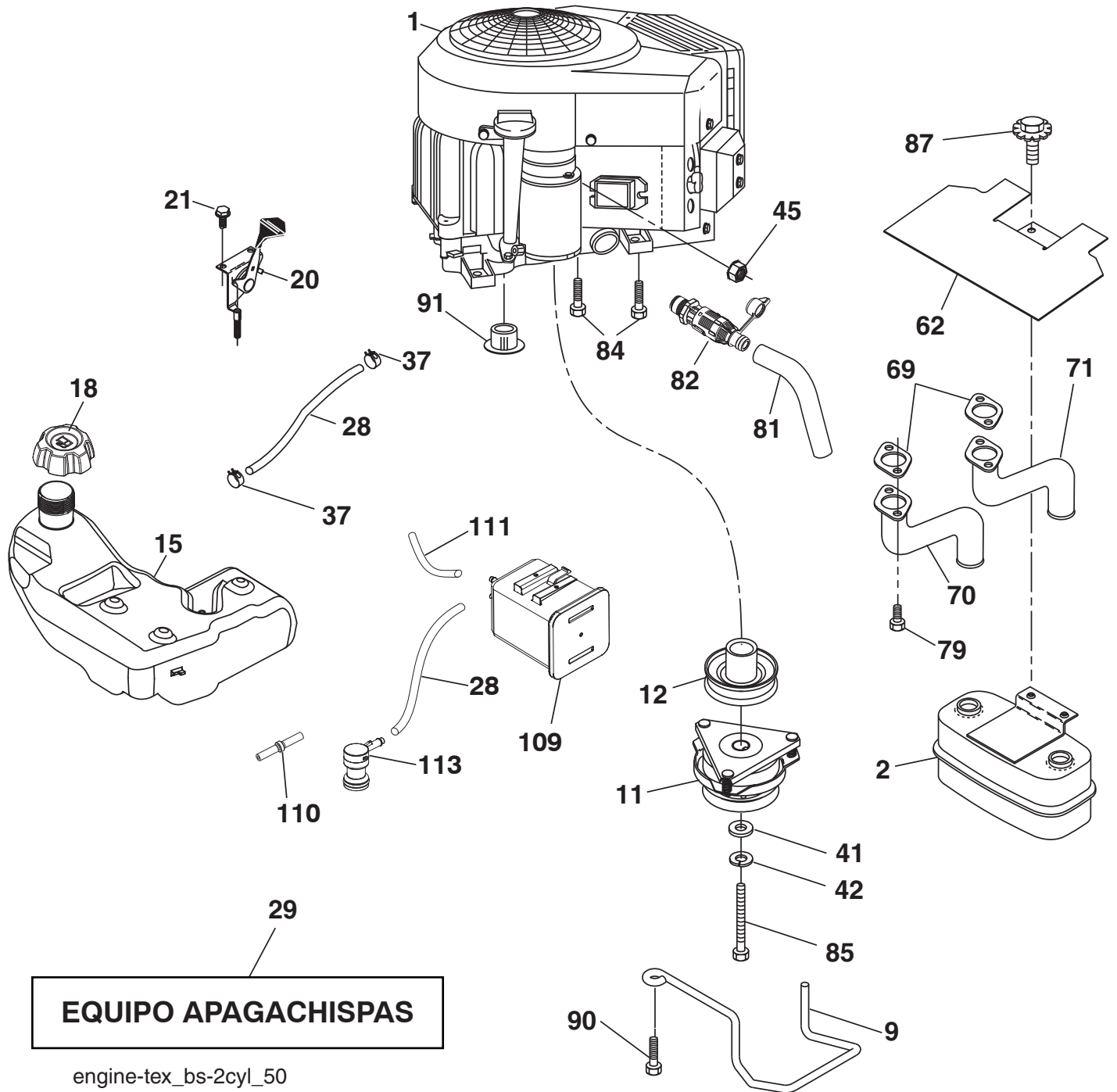
drive-tex_K46_pedal_8_r3

TRACTOR - MODELO NO. YTH23V48 (96043012502), PRODUCT NO. 960 43 01-25

TRANSMISIÓN

CÓDIGO No.	PIEZA No.	DESCRIPCIÓN	CÓDIGO No.	PIEZA No.	DESCRIPCIÓN
1	---	Transeje, TUFFTORQ K46 BT (426120) (Haga el pedido de las piezas al fabricante del transeje)	183	532 13 70-57	Espaciador
2	532 12 35-83	Cuña	184	532 44 14-55	Manija del freno de mano
15	819 13 13-16	Arandela de 13/32 x 13/16 x calibre 16	185	872 11 06-22	Perno 3/8-16 x 2-3/4 Gr. 5
17	532 41 36-78	Resorte de freno	186	532 19 43-21	Espaciador
26	532 19 96-79	Crucero con retorno de muelle	187	819 13 32-10	Arandela
29	532 40 38-06	Varilla del freno	188	532 19 43-23	Mecanismo de desplazamiento de la varilla de mando del embrague
33	812 00 00-01	Aro E	189	532 19 43-17	Palanca acodada del mecanismo de desplazamiento
35	532 43 54-86	Varilla del freno de mano	190	532 19 43-18	Sujetador de la palanca acodada del mecanismo de desplazamiento
42	532 12 48-72	Cubierta del pedal	196	817 00 06-16	Tornillo 3/8-16 x 1
49	872 11 06-14	Perno	197	532 19 58-04	Soporte
50	532 19 43-27	Polea loca plana	205	532 12 17-48	Arandela
51	873 90 06-00	Tuerca de presión de 3/8-16	206	532 19 78-67	Soporte de montaje del bloqueo del crucero
52	532 19 43-26	Polea loca con ranura en V con un desplazamiento de 910" (23 m)	207	532 19 78-68	Bloqueo del control del crucero
56	532 13 09-69	Correa trapezoidal de la transmisión	208	532 19 78-69	Engranaje del sector de control del crucero
64	532 19 78-65	Ensamble del eje Control del pedal de freno	209	532 19 95-92	Varilla de control del crucero
73	874 49 05-40	Perno de 5/16-18 grado 5	210	532 40 09-80	Ensamble del balancín del control del pedal
80	532 44 06-19	Correa de torsión	211	532 12 01-83	Rodamiento de nylon
92	874 76 05-20	Perno 5/16-18 unc x 1.25	213	532 40 31-19	Perilla de control del crucero
99	532 41 57-42	Varilla	214	532 42 12-63	Forro del pedal para avanzar
116	873 90 05-00	Tuerca de presión hexagonal con brida de 5/16-18	215	532 40 17-23	Forro del pedal para retroceder
125	817 00 05-12	Tornillo 5/16-18 x 3/4	216	532 19 61-31	Soporte del Polea
143	817 49 05-08	Tornillo 5/16-18 x 1/2	221	532 40 31-87	Abrazadera de retención del resorte de la manija
153	532 12 47-88	Retén del resorte	222	879 21 20-10	Arandela 21/32 x 1-1/4 x 10 Ga.
159	876 02 04-12	Pasador de chaveta de 1/8 x 3/4	225	532 40 33-19	Sujetador de la correa
160	532 16 94-84	Abrazadera de retención	226	532 40 15-64	Soporte de ensamble del torsión
161	532 10 57-09	Resorte de retorno del embrague	227	817 49 05-12	Tornillo Thd. 5/16 5/16-18 x 3/4
163	532 40 10-34	Varilla de control del pedal	230	532 18 89-67	Arandela
166	532 42 91-64	Tuerca de presión			
167	532 40 52-57	Pestillo del freno de mano			
170	532 19 43-22	Sujetador			
171	872 11 06-16	Perno 3/8-16 unc x 2			

NOTA: Las dimensiones de todos los componentes están expresadas en pulgadas americanas. 1 pulgada = 25,4 mm



TRACTOR - MODELO NO. YTH23V48 (96043012502), PRODUCT NO. 960 43 01-25 MOTOR

CÓDIGO No.	PIEZA No.	DESCRIPCIÓN
1	---	Motor Briggs modelo No. 445577-4187-G1 (440269) (Haga el pedido de las piezas al fabricante del motor)
2	532 14 97-23	Silenciador
9	532 19 43-20	Ensamble del sujetador de la correa del motor
11	532 40 00-08	Embrague eléctrico
12	532 40 50-97	Polea del motor
15	532 41 41-51	Tanque de combustible
18	532 43 92-08	Ensamble de la tapa
20	532 42 35-02	Control del regulador
21	532 41 63-58	Tornillo #10 x 0.750 BOS Thread
28	532 40 11-35	Línea de combustible
29	532 13 71-80	Equipo apagachispas
37	532 12 34-87	Abrazadera de la manguera
41	532 12 61-97	Arandela 1-1/2 OD x 15/32 ID x .250
42	810 04 07-00	Arandela 7/16
45	873 51 04-00	Tuerca 1/4-20 unc
62	532 43 40-17	Silenciador con pantalla térmica
69	532 16 53-91	Junta
70	532 15 99-55	Tubo de escape LH
71	532 16 05-89	Tubo de escape RH
79	532 18 39-06	Tornillo 5/16-18 x 1
81	532 14 84-56	Tubo de fácil drenaje de aceite
82	532 42 82-87	Aceite drenaje válvula
84	817 06 06-20	Tornillo 3/8-16 x 1-1/4
85	532 17 39-37	Perno 7/16-20 x 4 Gr. 5
87	532 17 18-77	Perno 5/16-18 unc x 1
90	817 00 06-16	Tornillo 3/8-16 x 1
91	532 18 74-95	Buje
109	532 41 41-14	Bote de carbón
110	532 41 41-18	Válvula
111	532 41 41-19	Purgue línea
113	532 41 41-27	Ensamble del Válvula

NOTA: Las dimensiones de todos los componentes están expresadas en pulgadas americanas. 1 pulgada = 25,4 mm

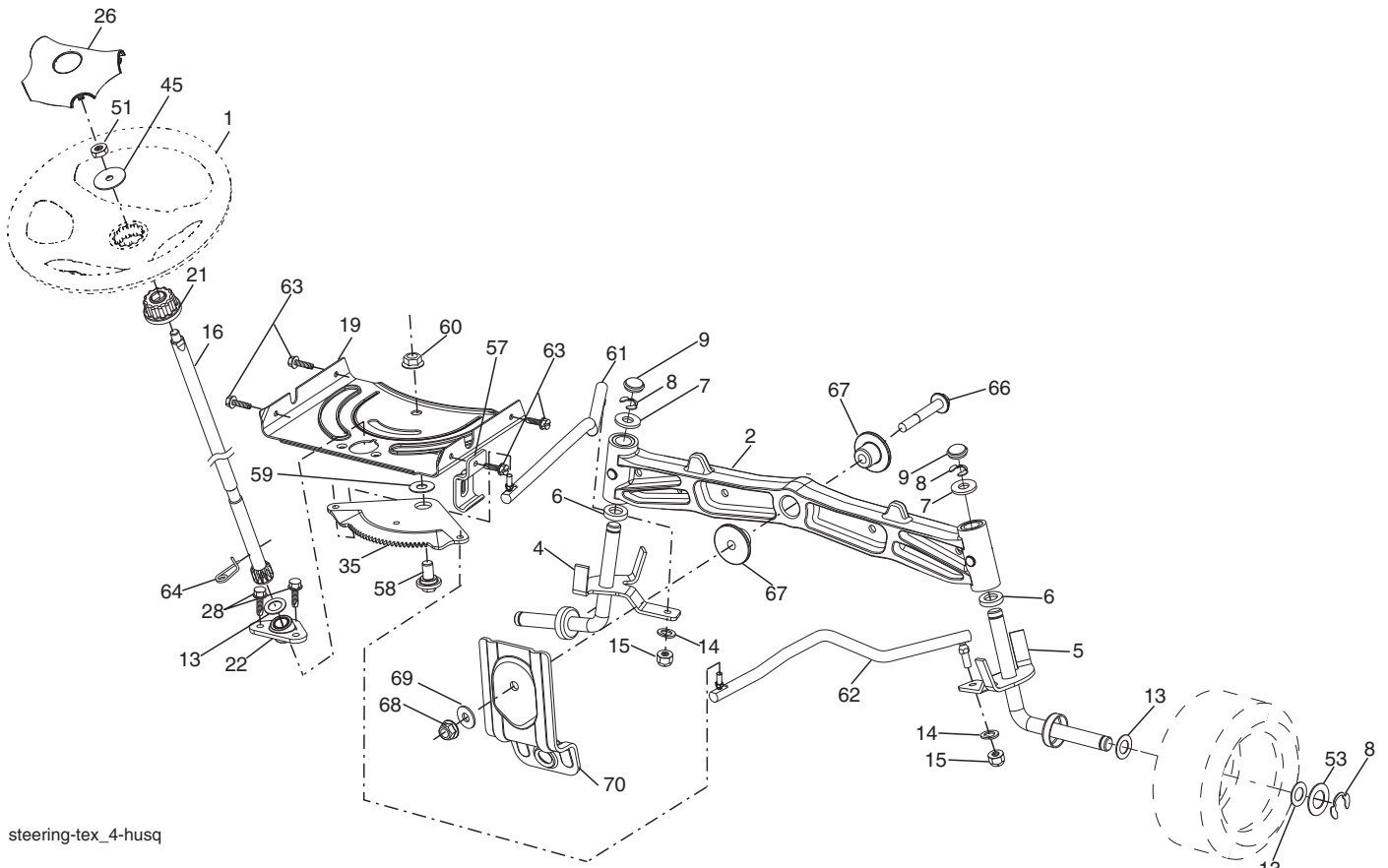
Para el servicio de motor y repuestos, llame el número de llamada gratuita para su fabricante de motor listó abajo:

Briggs & Stratton 1-800-233-3723

Información de Clasificación de Potencia del Motor

La clasificación de potencia para un modelo de motor a gas en particular se designa de acuerdo al código J1940 de SAE (Sociedad de Ingenieros Automotrices) (Procedimiento de Clasificación de Potencia & Torque del Motor Pequeño), y la clasificación de desempeño ha sido obtenida y corregida de acuerdo con el código J1995 de SAE (Revisión 2002-05). Los valores de torque se obtienen a 3060 RPM; los valores de potencia se obtienen a 3600 RPM. La potencia bruta actual del motor será inferior y está afectada, entre otras cosas, por las condiciones ambientales operativas y la variabilidad de motor a motor. Dado ambos un amplio conjunto de productos en los cuales son puestos nuestros motores, y la variedad de emisiones ambientales aplicables al operar el equipo, el motor a gas no desarrollará la potencia nominal cuando sea usado en una parte del equipo acoplado (potencia real "en el-sitio" o potencia neta). Esta diferencia se debe a una variedad de factores que incluyen, pero que no están limitados a, accesorios (filtro de aire, sistema de escape, sistema de carga, sistema de enfriamiento, carburador, bomba de combustible, etc.) limitaciones de la aplicación, condiciones ambientales de operación (temperatura, humedad, altitud), y la variabilidad de motor a motor. Debido a las limitaciones, Briggs & Stratton puede sustituir este motor con clasificación de potencia más alta por esta serie de motor.

TRACTOR - MODELO NO. YTH23V48 (96043012502), PRODUCT NO. 960 43 01-25
ENSAMBLE DE LA DIRECCIÓN



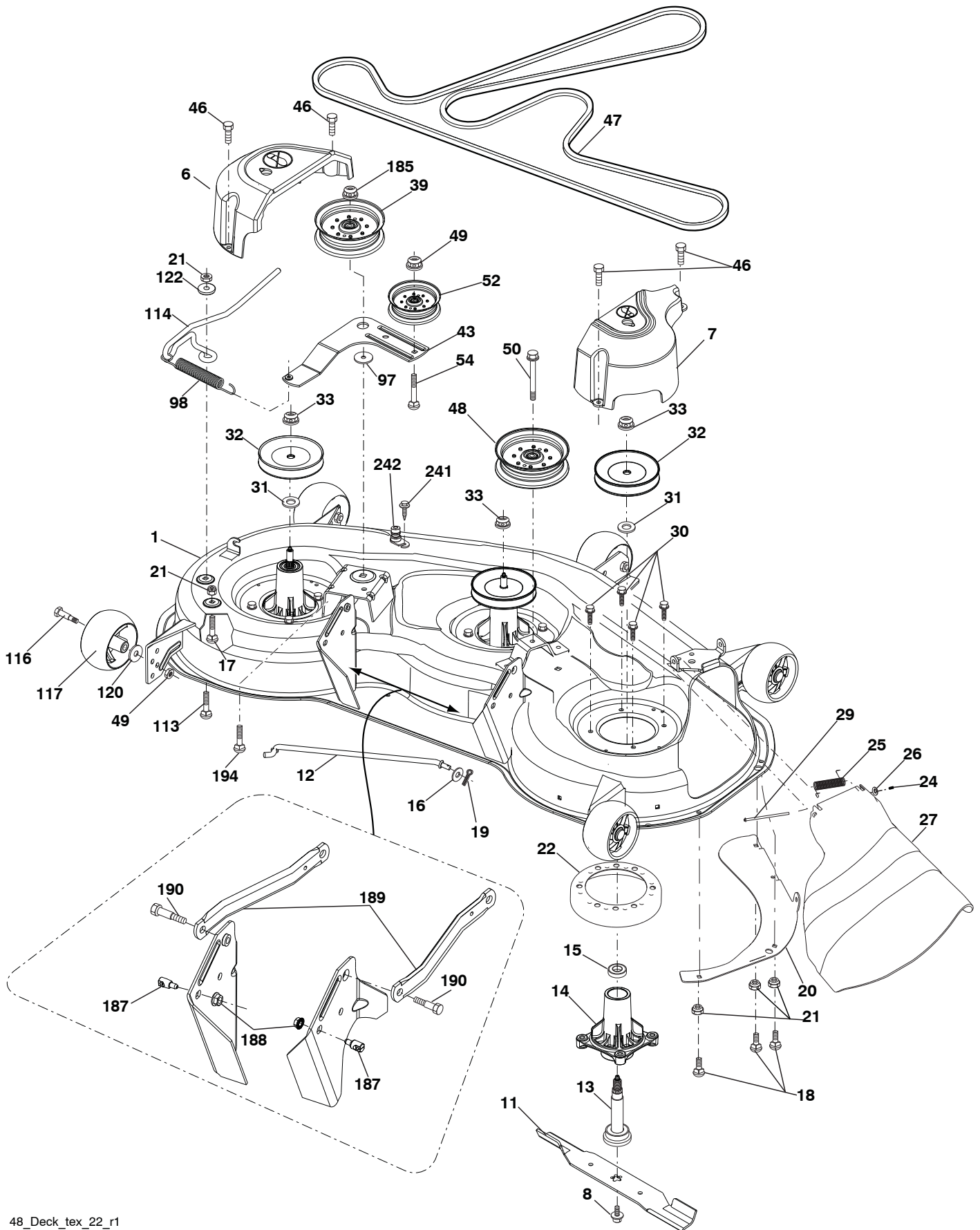
steering-tex_4-husq

**TRACTOR - MODELO NO. YTH23V48 (96043012502), PRODUCT NO. 960 43 01-25
ENSAMBLE DE LA DIRECCIÓN**

CÓDIGO No.	PIEZA No.	DESCRIPCIÓN
1	532 43 97-40	Volante de dirección
2	532 19 59-68	Eje delantero
4	532 40 30-87	Ensamble del husillo izquierdo
5	532 40 30-88	Ensamble del husillo derecho
6	532 12 49-31	Pista del rodamiento para reforzar el impulso
7	532 12 17-48	Arandela 25/32 x 1-5/8 x 16 Ga.
8	812 00 00-29	Abrazadera del aro No. T5304-75
9	532 12 12-32	Tapa del husillo
13	532 12 17-49	Arandela 25/32 x 1-1/4 x 16 Ga.
14	810 04 06-00	Arandela 3/8
15	873 54 06-00	Tuerca corona de presión de 3/8-24 unf
16	532 40 82-19	Eje de dirección
19	532 19 47-29	Placa de dirección
21	532 18 67-37	Adaptador del volante de dirección
22	532 42 05-37	Dirección de soporte
26	532 43 97-43	Inserto del volante de dirección
28	817 00 06-12	Tornillo 3/8-16 x 3/4
35	532 19 47-32	Engranaje del sector de la placa
45	819 18 38-12	Arandela 9/16 x 2-3/8 x 12 Ga.
51	873 94 08-00	Tuerca de presión de 1/2-20 unf
53	532 18 89-67	Arandela .793 x 1.637 x .060
57	532 19 72-46	Tope superior del soporte
58	532 19 47-47	Perno de tope del sector del pivote CFM
59	532 19 47-48	Arandela de empuje del sector de dirección
60	873 97 10-00	Tuerca de presión con brida de 5/8-11
61	532 19 47-40	Barra de acoplamiento izquierda
62	532 19 47-41	Barra de acoplamiento derecha
63	817 00 05-12	Tornillo 5/16-18 x 3/4
64	532 19 98-49	Abrazadera de retención del resorte de la dirección
66	871 02 07-48	Perno de cabeza 7/16-14 x 3
67	532 19 47-37	Buje PM del eje delantero
68	873 90 07-00	Tuerca de presión con brida de 7/16-14 grado 5
69	532 19 91-62	Arandela 1.5 x .505 x .118
70	532 19 61-97	Soporte de la plataforma delantera

NOTA: Las dimensiones de todos los componentes están expresadas en pulgadas americanas. 1 pulgada = 25,4 mm

TRACTOR - MODELO NO. YTH23V48 (96043012502), PRODUCT NO. 960 43 01-25
PLATAFORMA DE LA CORTADORA DE CÉSPED

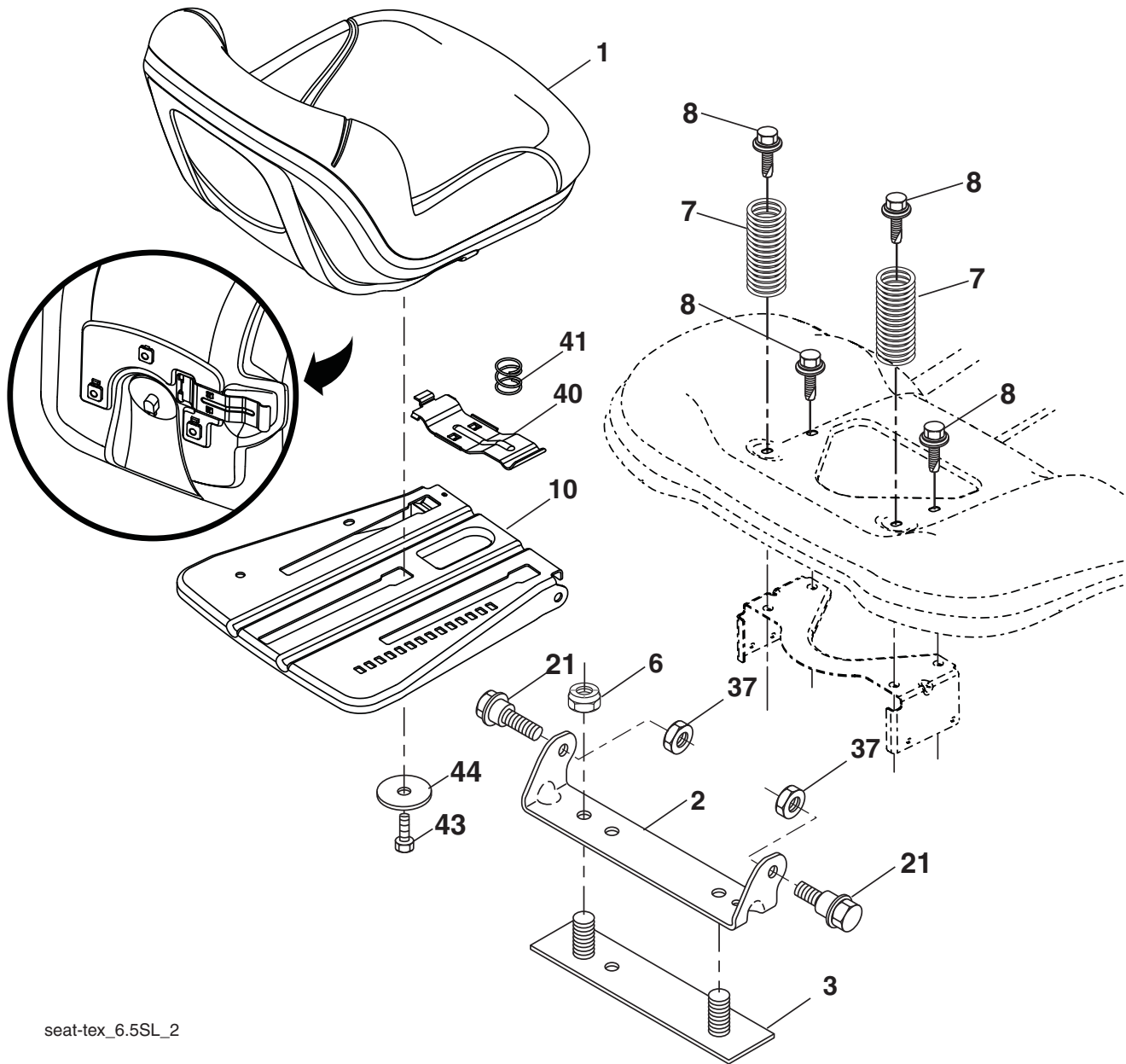


**TRACTOR - MODELO NO. YTH23V48 (96043012502), PRODUCT NO. 960 43 01-25
PLATAFORMA DE LA CORTADORA DE CÉSPED**

CÓDIGO PIEZA			CÓDIGO PIEZA		
No.	No.	DESCRIPCIÓN	No.	No.	DESCRIPCIÓN
1	532 44 00-48	Carcasa de la cortadora de césped	50	817 49 06-36	Tornillo TT 3/8-16 x 2-1/4
6	532 19 72-48	Cubierta izquierda del mandril	52	532 19 31-97	Polea loca primaria 48"
7	532 19 91-02	Cubierta derecha del mandril	54	872 11 06-12	Perno 3/8-16 x 1-1/2 Gr. 5
8	532 19 30-03	Perno de cuchilla 7/16	97	532 17 85-15	Arandela
11	532 18 00-54	Cuchilla de la cortadora	98	532 19 61-05	Accionamiento por resortes
12	532 40 48-51	Varilla	113	872 11 05-08	Perno 5/16-18 x 3/4
13	532 18 72-91	Ensamble del eje. con rodamiento inferior	114	532 19 74-51	Varilla
14	532 18 72-81	Carcasa del mandril	116	532 19 34-06	Perno de tope
15	532 11 04-85	Rodamiento de bolas del mandril	117	532 17 48-73	Calibrador de la rueda
16	819 13 13-12	Arandela 13/32 x 13/16 x 12 calibre	120	819 13 20-12	Arandela 13/32 x 1-1/4 x 12 calibre
17	872 11 05-05	Perno 5/16-18 x 5/8	122	532 18 75-57	Buje
18	872 14 05-05	Perno 5/16-18 unc x 5/8	185	873 90 07-00	Tuerca de presión con brida 7/16-14 Gr. 5
19	532 19 42-08	Pasador de chaveta de 5/16 con bloqueo en forma de mariposa	187	532 19 51-61	Sujetador del travesaño
20	532 17 43-78	Torbellino de deflector	188	873 90 05-00	Tuerca de presión hexagonal con brida
21	873 68 05-00	Tuerca 5/16-18 unc	189	532 19 51-85	Brazo de la suspensión trasera
22	532 17 44-93	Separador de mandril	190	532 19 65-39	Perno de tope
24	532 10 53-04	Tapa de la manga	194	874 49 07-36	Perno Arandela 7/16-14 x 2.25
25	532 17 81-02	Resorte de torsión	241	532 15 29-27	Tornillo TT #10-32.5 3/8
26	532 11 04-52	Tuerca	242	532 41 55-98	Puerto de Lavado de la Cubierta
27	532 18 17-07	Protector del deflector	--	532 41 64-05	Accesorio del conexión
29	532 13 14-91	Varilla de la bisagra	--	532 18 72-92	Ensamble del Mandril (solo incluye la carcasa, el ensamble del eje y el rodamiento; no incluye la polea/tuerca/arandela ni los pernos/arandelas de la cuchilla)
30	532 17 39-84	Tornillo con cabeza de arandela	--	532 43 18-25	Reemplazo de la cortadora de césped, completa
31	532 18 76-90	Arandela del separador			
32	532 15 35-32	Polea del mandril			
33	532 40 02-34	Tuerca de presión con brida			
39	532 19 73-80	Polea loca 4.50			
43	532 19 60-65	Brazo de la polea			
46	532 13 77-29	Tornillo 1/4-20 x 5/8			
47	532 19 72-42	Correa de la transmisión			
48	532 19 73-79	Polea loca 4.50 RAW			
49	873 90 06-00	Tuerca de presión con brida 3/8-16 unc			

NOTA: Las dimensiones de todos los componentes están expresadas en pulgadas americanas. 1 pulgada = 25,4 mm

**TRACTOR - MODELO NO. YTH23V48 (96043012502), PRODUCT NO. 960 43 01-25
ENSAMBLE DEL ASIENTO**



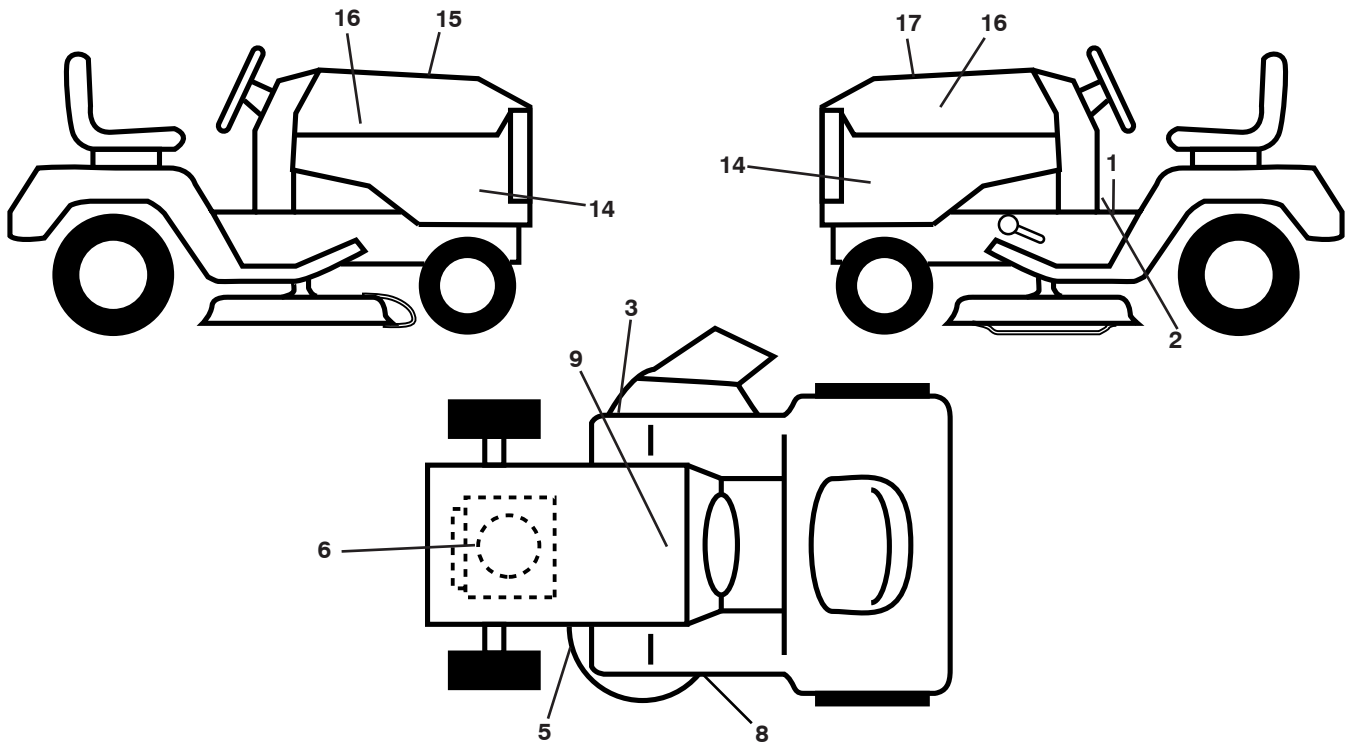
seat-tex_6.5SL_2

CÓDIGO No.	PIEZA No.	DESCRIPCIÓN
1	532 43 98-22	Asiento
2	532 18 01-66	Soporte pivotante del guardabarros
3	532 14 06-75	Conector del ensamble del guardabarros
6	873 80 06-00	Tuerca de presión c/aislamiento de 3/8-16 unc
7	532 12 41-81	Resorte del asiento
8	532 17 18-77	Perno de 5/16" unc x 3/4"
10	532 19 69-77	Bandeja del asiento
21	532 17 18-52	Perno de tope de 5/16-18

CÓDIGO No.	PIEZA No.	DESCRIPCIÓN
37	873 80 05-00	Tuerca de presión de 5/16-18 unc
40	532 19 76-61	Manija para deslizar el asiento
41	532 19 82-00	Resorte para trabar el asiento
43	874 76 06-12	Perno de cabeza hexagonal con aleta de 3/8-16 unc x 3/4
44	819 13 38-12	Arandela de 13/32 x 2-3/8 calibre 12

NOTA: Las dimensiones de todos los componentes están expresadas en pulgadas americanas. 1 pulgada = 25,4 mm

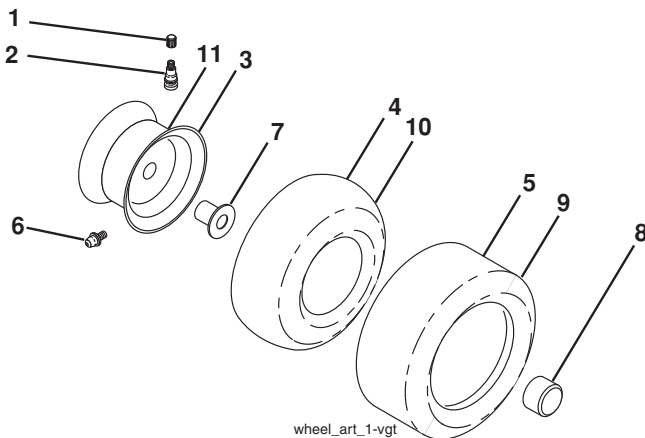
**TRACTOR - MODELO NO. YTH23V48 (96043012502), PRODUCT NO. 960 43 01-25
CALCOMANÍAS**



CÓDIGO No.	PIEZA No.	DESCRIPCIÓN
1	532 41 16-57	Calcomanía advertencia
2	532 42 41-02	Calcomanía advertencia
3	532 17 05-63	Calcomanía advertencia
5	532 17 84-55	Calcomanía precaución
6	532 42 95-57	Calcomanía motor
8	532 19 87-85	Calcomanía del diagrama de la cortadora de césped
9	532 14 50-05	Calcomanía de Peligro/Punto de interconexión
14	532 438663	Calcomanía para el panel lateral
15	532 42 38-29	Calcomanía responsabilidad del cliente

CÓDIGO No.	PIEZA No.	DESCRIPCIÓN
16	532 42 91-96	Calcomanía para el logo de la capota
17	532 43 84-79	Calcomanía de reemplazo
--	532 16 69-60	Calcomanía para la desviación
--	532 43 96-81	Forro del apoyo para los pies (LI)
--	532 43 96-82	Forro del apoyo para los pies (LD)
--	532 44 50-66	Manual de Operario (INGLÉS/ESPAÑOL)
--	532 44 56-69	Manual De Repuestos (INGLÉS/ESPAÑOL)

RUEDAS Y NEUMÁTICOS



CÓDIGO No.	PIEZA No.	DESCRIPCIÓN
1	532 05 91-92	Tapa de la válvula del neumático
2	532 06 51-39	Vástago de la válvula
3	532 13 83-36	Ensamble de las llantas delanteras
4	532 05 99-04	Cámara delantera (Mantenimiento sólo)
5	532 10 62-22	Neumático delantero
6	532 12 49-57	Accesorio para engrasar (solo para la rueda delantera)
7	532 12 49-59	Rodamiento de la brida (solo para la rueda delantera)
8	532 17 50-39	Tapa del eje
9	532 13 84-68	Neumático trasero
10	532 12 49-26	Cámara trasera (Mantenimiento sólo)
11	532 13 83-37	Ensamble trasero de la llanta
--	532 14 43-34	Sellador para neumáticos (tubo de 10 onzas [283 gr])

NOTA: Las dimensiones de todos los componentes están expresadas en pulgadas americanas. 1 pulgada = 25,4 mm

NOTES/AVISO

08/17/2011 BD