

 **Husqvarna**[®]

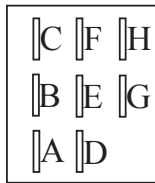
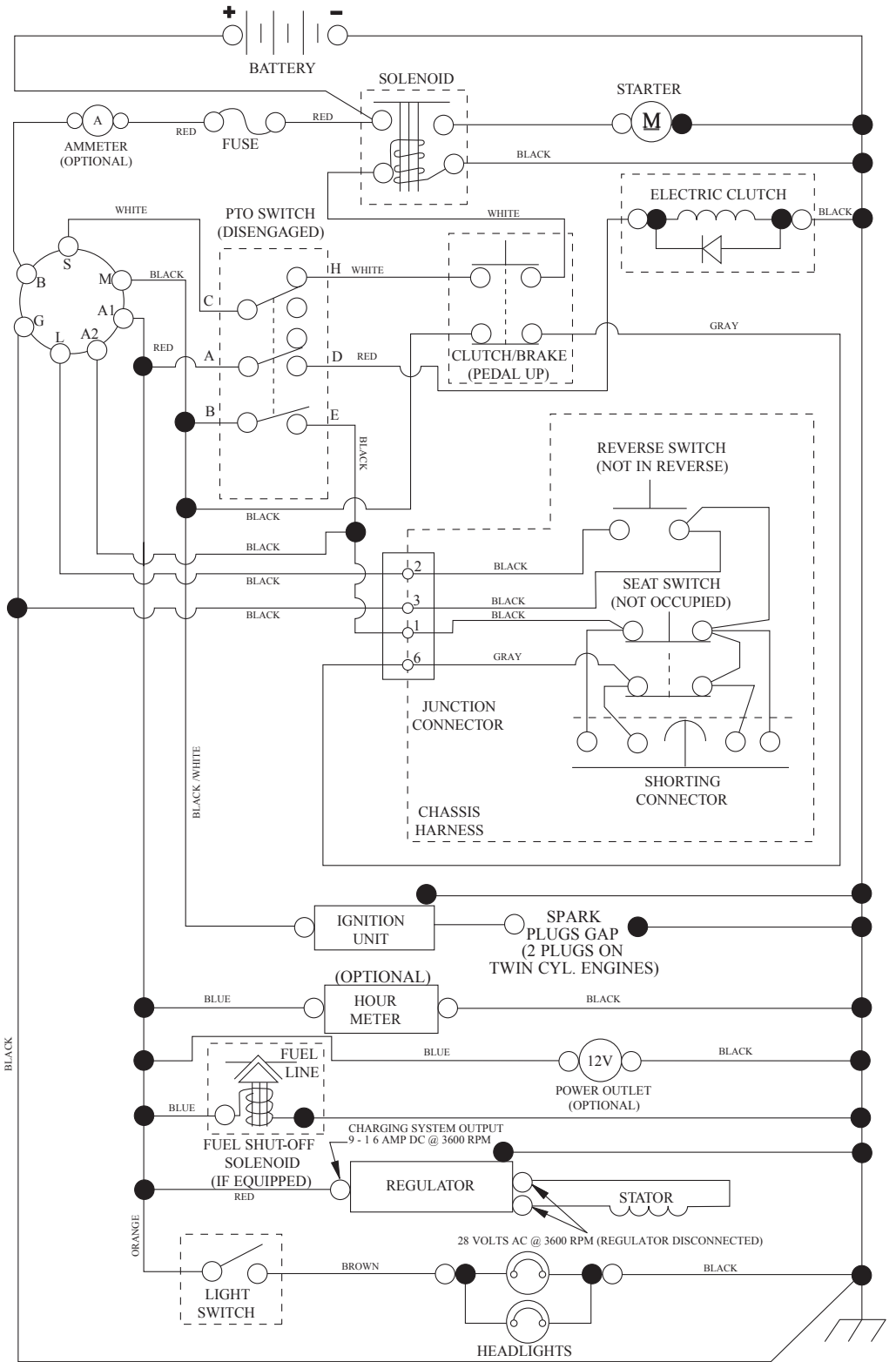


YTH2348

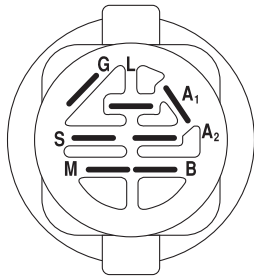
ILLUSTRATED PARTS LIST / 96045000504 / 2008-11

TRACTOR - MODEL NO. YTH2348 (96045000504), PRODUCT NO. 960 45 00-05 SCHEMATIC

SCH12

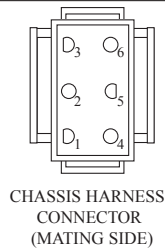


PTO SWITCH
(MATING SIDE)

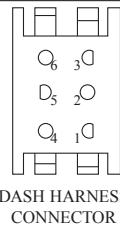


IGNITION SWITCH

| POSITION | CIRCUIT "MAKE" |
|--------------|----------------|
| OFF | M+G+A1 |
| RUN/OVERRIDE | B+A1 |
| RUN | B+A1 L+A2 |
| START | B + S + A1 |

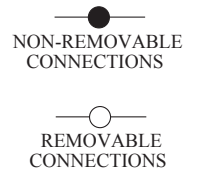


CHASSIS HARNESS
CONNECTOR
(MATING SIDE)

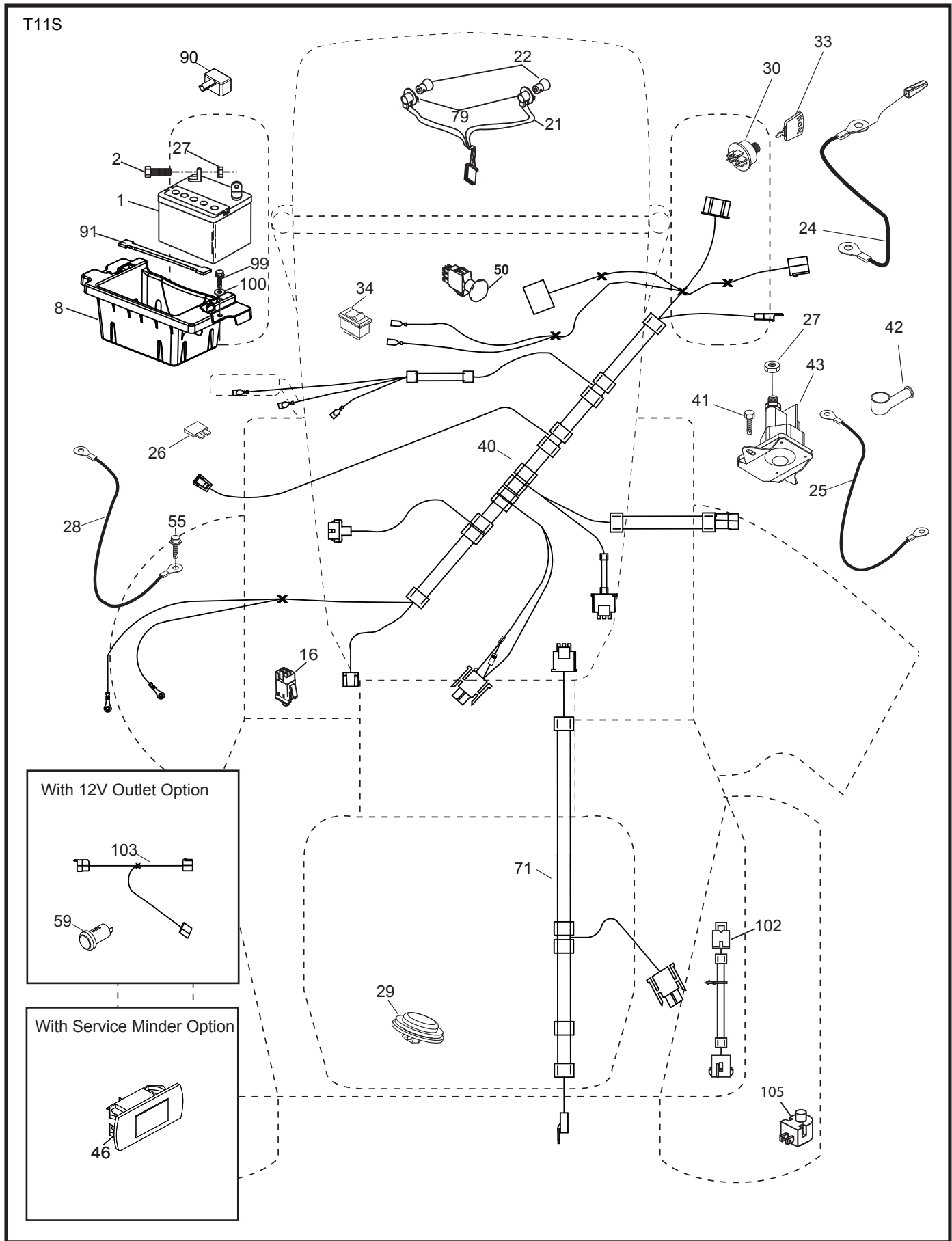


DASH HARNESS
CONNECTOR

WIRING INSULATED CLIPS
NOTE: IF WIRING INSULATED
CLIPS WERE REMOVED FOR
SERVICING OF UNIT, THEY
SHOULD BE RE-INSTALLED TO
PROPERLY SECURE YOUR
WIRING.



**TRACTOR - MODEL NO. YTH2348 (96045000504), PRODUCT NO. 960 45 00-05
ELECTRICAL**

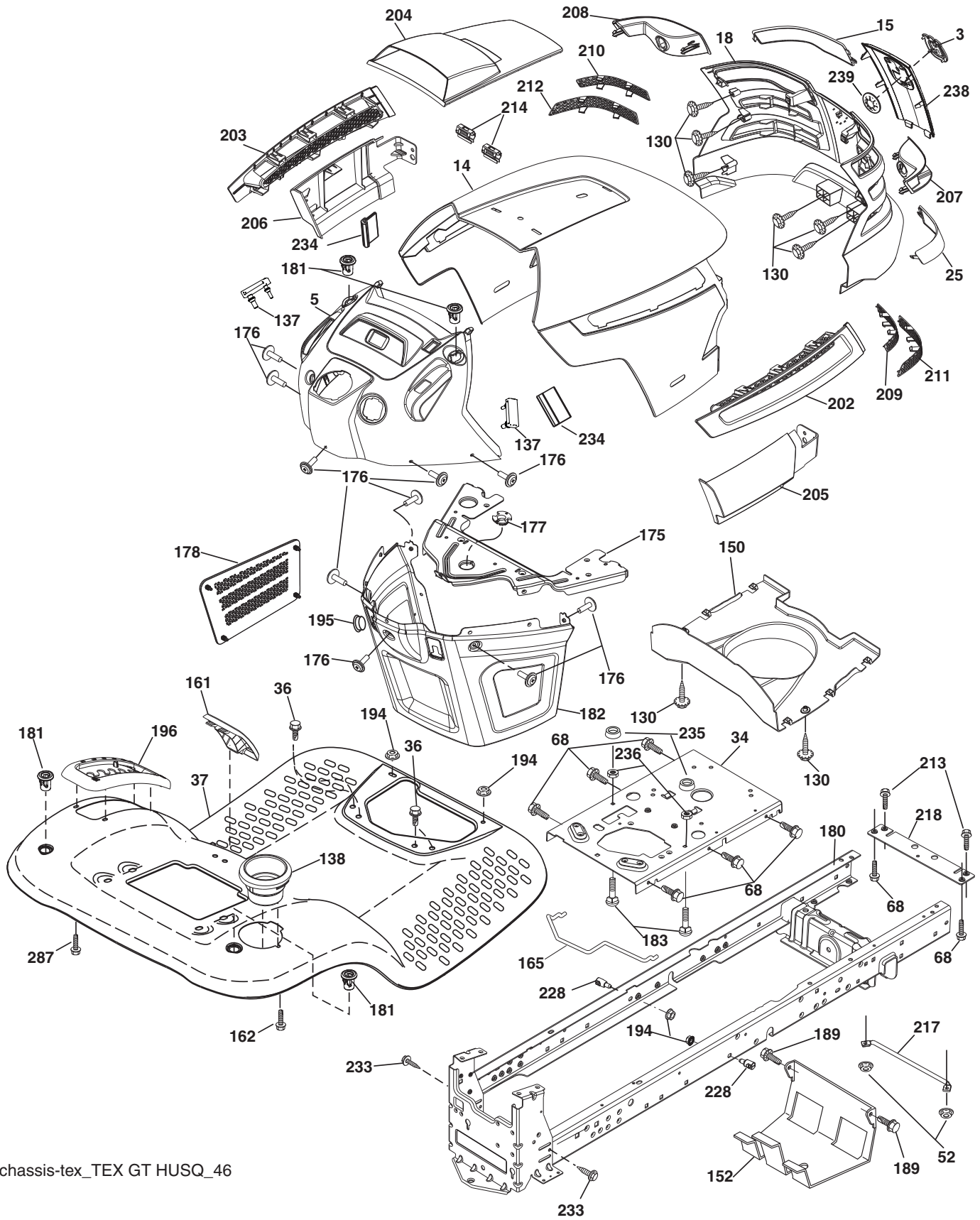


**TRACTOR - MODEL NO. YTH2348 (96045000504), PRODUCT NO. 960 45 00-05
ELECTRICAL**

| KEY NO. | PART NO. | DESCRIPTION |
|----------------|-----------------|----------------------------------|
| 1 | 532 16 34-65 | Battery |
| 2 | 874 76 04-12 | Bolt Hex Hd 1/4-20 unc x 3/4 |
| 8 | 532 18 64-91 | Battery Box |
| 16 | 532 17 61-38 | Switch Interlock |
| 21 | 532 18 37-59 | Harness Socket Light |
| 22 | 532 00 41-52 | Bulb, Light #1156 |
| 24 | 532 40 02-53 | Cable Battery |
| 25 | 532 41 28-95 | Cable Starter |
| 26 | 532 17 51-58 | Fuse |
| 27 | 873 51 04-00 | Nut Keps Hex 1/4-20 unc |
| 28 | 532 14 54-91 | Cable Ground 21" Blk 6 Ga. |
| 29 | 532 40 15-45 | Switch Seat |
| 30 | 532 19 33-50 | Switch Ign |
| 33 | 532 41 19-33 | Key/Chain |
| 34 | 532 11 07-12 | Switch Light/Reset |
| 40 | 532 40 11-04 | Harness Ign. Dash |
| 41 | 817 72 04-08 | Screw Thd Cut 1/4-20 x 1/2 |
| 42 | 532 13 15-63 | Cover Terminal Red |
| 43 | 532 19 25-07 | Solenoid |
| 46 | 532 40 17-63 | Gauge Hourmeter |
| 50 | 532 19 61-12 | Switch PTO |
| 55 | 817 06 05-12 | Screw Thdrol 5/16-18 x 3/4 |
| 71 | 532 19 42-76 | Harness Ign |
| 79 | 532 17 52-42 | Socket Asm. Bulb Twistlock |
| 90 | 532 40 07-24 | Cover Terminal Battery |
| 91 | 532 19 02-70 | Strap Battery |
| 99 | 817 67 04-12 | Screw Hexwsh Thdrol 1/4-20 x 3/4 |
| 100 | 819 09 14-16 | Washer 9/32 x 7/8 x 16 Ga. |
| 102 | 532 40 44-54 | Harness Pigtail |
| 105 | 532 40 75-68 | Switch Reverse TT Pedal Control |

NOTE: All component dimensions given in U.S. inches
1 inch = 25.4 mm

TRACTOR - MODEL NO. YTH2348 (96045000504), PRODUCT NO. 960 45 00-05
CHASSIS



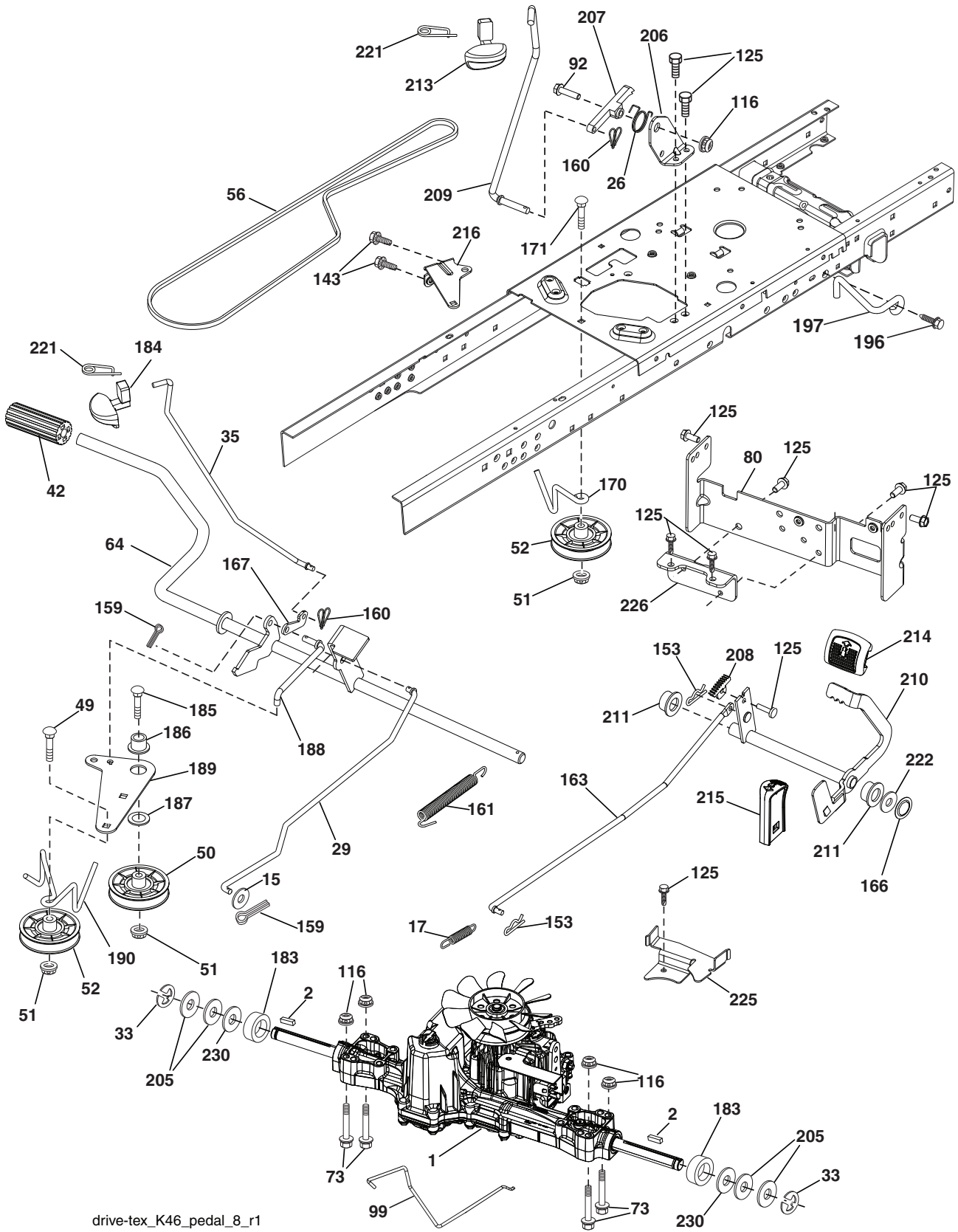
chassis-tex_TEX GT HUSQ_46

**TRACTOR - MODEL NO. YTH2348 (96045000504), PRODUCT NO. 960 45 00-05
CHASSIS**

| KEY NO. | PART NO. | DESCRIPTION | KEY NO. | PART NO. | DESCRIPTION |
|----------------|---------------------|----------------------------------|----------------|---------------------|---------------------------------|
| 3 | 532 40 50-12 | Logo | 196 | 532 41 45-80 | Console Asm. Deck Lift |
| 5 | 532 40 87-00 | Dash | 202 | 532 40 30-48 | Vent Side Hood RH |
| 14 | 532 41 10-46 | Hood | 203 | 532 40 30-76 | Vent Side Hood LH |
| 15 | 532 19 89-07 | Lens LH | 204 | 532 41 66-13 | Vent Top Hood |
| 18 | 532 40 86-07 | Grille Asm. | 205 | 532 40 17-09 | Skirt Hood Side RH |
| 25 | 532 19 89-06 | Lens RH | 206 | 532 40 17-11 | Skirt Hood Side LH |
| 34 | 532 19 61-25 | Plate Engine | 207 | 532 19 71-98 | Bezel RH |
| 36 | 817 06 05-12 | Screw 5/16-18 x 3/4 | 208 | 532 19 71-99 | Bezel LH |
| 37 | 532 41 86-73 | Fender | 209 | 532 19 91-30 | Insert Hex Top RH |
| 52 | 873 68 05-00 | Nut Lock 5/16-18 | 210 | 532 19 91-31 | Insert Hex Top LH |
| 68 | 817 49 05-08 | Screw 5/16-18 x 1/2 | 211 | 532 19 91-32 | Insert Hex Bottom RH |
| 130 | 532 41 63-58 | Screw #10 x 0.750 BOS Thread | 212 | 532 19 91-33 | Insert Hex Bottom LH |
| 137 | 532 40 75-90 | Bumper Dash | 213 | 874 76 05-12 | Bolt 5/16-18 unc x 3/4 |
| 138 | 532 40 29-54 | Cupholder | 214 | 532 19 91-45 | Clip Retainer Tinner |
| 150 | 532 19 85-12 | Air Duct | 217 | 532 40 91-67 | Rod Pivot |
| 152 | 532 19 95-35 | Shield Browning | 218 | 532 19 63-95 | X-Piece Hood Stop |
| 161 | 532 40 96-27 | Window Fuel | 228 | 532 19 51-61 | Stud Fastner |
| 162 | 532 14 24-32 | Screw | 233 | 532 19 65-39 | Bolt, Shoulder |
| 165 | 532 19 68-26 | Support Tank Rear | 234 | 532 40 47-42 | Bumper Hood |
| 175 | 532 19 63-04 | Crossmember | 235 | 532 40 61-29 | Spacer Fender |
| 176 | 532 40 07-76 | Screw 10-24 x 5/8 | 236 | 873 93 05-00 | Nut Lock 5/16-18 unc |
| 177 | 532 19 52-27 | Bushing Steering | 238 | 532 40 86-06 | Trim |
| 178 | 532 19 97-82 | Cargo Net Asm. | 239 | 532 11 04-52 | Nut, Push |
| 180 | 532 19 54-57 | Chassis | 287 | 817 60 04-06 | Screw Hex Washhead 1/4-20 x 3/8 |
| 181 | 532 40 30-25 | Bushing Mtg. Fender Crgo | | | |
| 182 | 532 40 68-59 | Dash Lower | | | |
| 183 | 874 78 05-20 | Bolt Fin Hex 5/16-18 unc x 1-1/4 | | | |
| 189 | 817 00 05-12 | Screw 5/16-18 x 3/4 | | | |
| 194 | 873 90 05-00 | Nut Lock Hex Flange 5/16-18 | | | |
| 195 | 532 40 41-37 | Plug Hole Dash Lower | | | |

NOTE: All component dimensions given in U.S. inches
1 inch = 25.4 mm

**TRACTOR - MODEL NO. YTH2348 (96045000504), PRODUCT NO. 960 45 00-05
DRIVE**



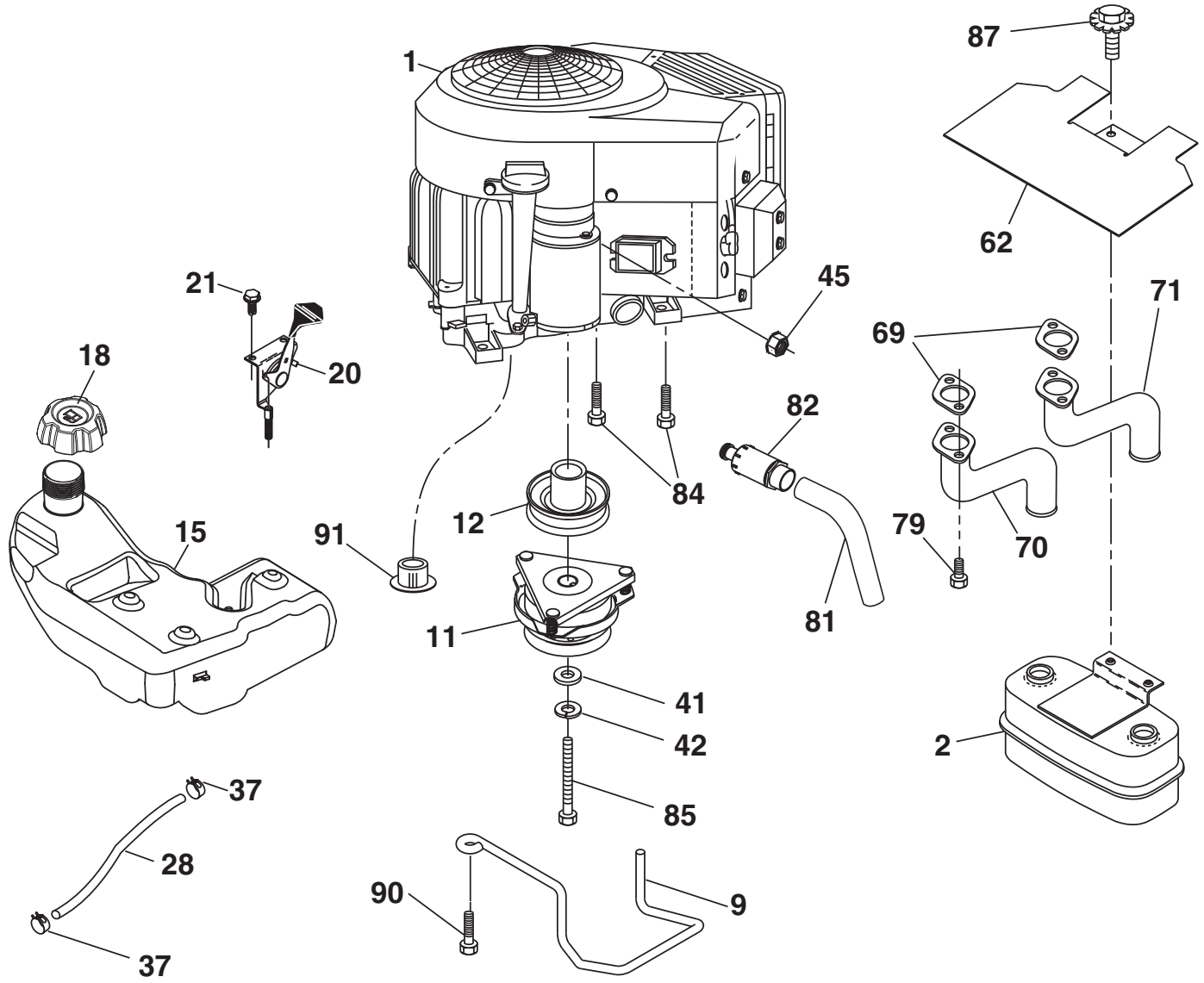
drive-tex_K46_pedal_8_r1

**TRACTOR - MODEL NO. YTH2348 (96045000504), PRODUCT NO. 960 45 00-05
DRIVE**

| KEY NO. | PART NO. | DESCRIPTION | KEY NO. | PART NO. | DESCRIPTION |
|----------------|-----------------|---|----------------|-----------------|-----------------------------------|
| 1 | 532405384 | Transaxle, TUFFTORQ K46 BT (Internal parts not available) | 171 | 872 11 06-16 | Bolt RDHD SQNK 3/8-16 unc x 2 |
| 2 | 532 12 35-83 | Key | 183 | 532 13 70-57 | Spacer Split |
| 15 | 819 13 13-16 | Washer 13/32 x 13/16 x 16 Ga. | 184 | 532 40 31-18 | Handle Parking Brake |
| 17 | 532 41 36-78 | Spring, Brake | 185 | 872 11 06-22 | Bolt Rdhd Sqnk 3/8-16x2-3/4 Gr. 5 |
| 26 | 532 19 96-79 | Spring Return Cruise | 186 | 532 19 43-21 | Spacer Retainer |
| 29 | 532 40 38-06 | Rod, Brake | 187 | 819 13 32-10 | Washer |
| 33 | 812 00 00-01 | Ring E | 188 | 532 19 43-23 | Link Clutch Ground Drive |
| 35 | 532 19 95-91 | Rod, Brake, Park | 189 | 532 19 43-17 | Bellcrank Ground Drive |
| 42 | 532 12 48-72 | Cover, Foot Pedal | 190 | 532 19 43-18 | Keeper Bellcrank Ground Drive |
| 49 | 872 11 06-14 | Bolt | 196 | 817 00 06-16 | Screw 3/8-16 x 1 |
| 50 | 532 19 43-27 | Pulley Idler Flat | 197 | 532 19 58-04 | Bracket Clutch Anti-Rotation |
| 51 | 873 90 06-00 | Lock Nut 3/8-16 | 205 | 532 12 17-48 | Washer |
| 52 | 532 19 43-26 | Idler V-Groove 910" Offset | 206 | 532 19 78-67 | Bracket Mount Latch Cruise |
| 56 | 532 13 09-69 | V-Belt, Drive | 207 | 532 19 78-68 | Latch Control Cruise |
| 64 | 532 19 78-65 | Shaft Asm. Pedal Brake Control | 208 | 532 19 78-69 | Gear Sector Control Cruise |
| 73 | 874 49 05-44 | Bolt Hex Flghd 5/16-18 Gr. 5 | 209 | 532 19 95-92 | Rod Control Cruise |
| 80 | 532 41 21-70 | Bracket Strap Torque | 210 | 532 40 09-80 | Rocker Asm. Pedal Control |
| 92 | 874 76 05-20 | Bolt Fin Hex 5/16-18 unc x 1.25 | 211 | 532 12 01-83 | Bearing Nylon |
| 99 | 532 41 57-42 | Rod Asm. Bypass | 213 | 532 40 31-19 | Knob Control Cruise |
| 116 | 873 90 05-00 | Nut Lock Hex Flange 5/16-18 | 214 | 532 40 17-22 | Pedal Forward |
| 125 | 817 00 05-12 | Screw 5/16-18 x 3/4 | 215 | 532 40 17-23 | Pedal Reverse |
| 143 | 817 49 05-08 | Screw 5/16-18 x 1/2 | 216 | 532 19 61-31 | Bracket Pulley Idler |
| 153 | 532 12 47-88 | Retainer Spring | 221 | 532 40 31-87 | Retainer Spring Clip Handle |
| 159 | 876 02 04-12 | Pin Cotter 1/8 x 3/4 | 222 | 879 21 20-10 | Washer 21/32 x 1-1/4 x 10 Ga. |
| 160 | 532 16 94-84 | Retainer Clip | 225 | 532 40 33-19 | Keeper Belt Trans. |
| 161 | 532 10 57-09 | Spring, Return, Clutch | 226 | 532 40 15-64 | Bracket Mount Torque |
| 163 | 532 40 10-34 | Rod Pedal Control | 230 | 532 18 89-67 | Washer Hardened |
| 166 | 532 19 72-90 | Nut Push | | | |
| 167 | 532 40 52-57 | Latch Brake Parking | | | |
| 170 | 532 19 43-22 | Keeper Belt Centerspan | | | |

NOTE: All component dimensions given in U.S. inches
1 inch = 25.4 mm

**TRACTOR - MODEL NO. YTH2348 (96045000504), PRODUCT NO. 960 45 00-05
ENGINE**



SPARK ARRESTER KIT

engine-tex_bs-2cyl_20

TRACTOR - MODEL NO. YTH2348 (96045000504), PRODUCT NO. 960 45 00-05 ENGINE

| KEY NO. | PART NO. | DESCRIPTION |
|---------|--------------|-----------------------------------|
| 1 | ----- | Engine Briggs Model No. 445577 |
| 2 | 532 14 97-23 | Muffler |
| 9 | 532 19 43-20 | Keeper Belt Engine |
| 11 | 532 40 00-08 | Clutch Electric |
| 12 | 532 40 50-97 | Pulley Engine |
| 15 | 532 40 00-21 | Tank Fuel |
| 18 | 532 19 42-67 | Cap Asm |
| 20 | 532 42 35-02 | Control Throttle |
| 21 | 532 41 63-58 | Screw #10 x 0.750 BOS Thread |
| 28 | 532 40 11-35 | Fuel Line |
| 29 | 532 13 71-80 | Spark Arrester Kit |
| 37 | 532 12 34-87 | Clamp Hose |
| 41 | 532 12 61-97 | Washer 1-1/2 OD x 15/32 ID x .250 |
| 42 | 810 04 07-00 | Washer Lock 7/16 |
| 45 | 873 51 04-00 | Nut Keps Hex 1/4-20 unc |
| 62 | 532 14 66-29 | Shield Heat Muffler |
| 69 | 532 16 53-91 | Gasket |
| 70 | 532 15 99-55 | Tube Exhaust LH |
| 71 | 532 16 05-89 | Tube Exhaust RH |
| 79 | 532 18 39-06 | Screw Socket Head 5/16-18 x 1 |
| 81 | 532 14 84-56 | Tube Drain Oil Easy |
| 82 | 532 18 16-54 | Plug Drain Oil |
| 84 | 817 06 06-20 | Screw 3/8-16 x 1-1/4 |
| 85 | 532 17 39-37 | Bolt Hex 7/16-20 x 4 Gr. 5 |
| 87 | 532 17 18-77 | Bolt 5/16-18 unc x 1 w/Sems |
| 90 | 817 00 06-16 | Screw 3/8-16 x 1 |
| 91 | 532 18 74-95 | Bushing |

NOTE: All component dimensions given in U.S. inches
1 inch = 25.4 mm

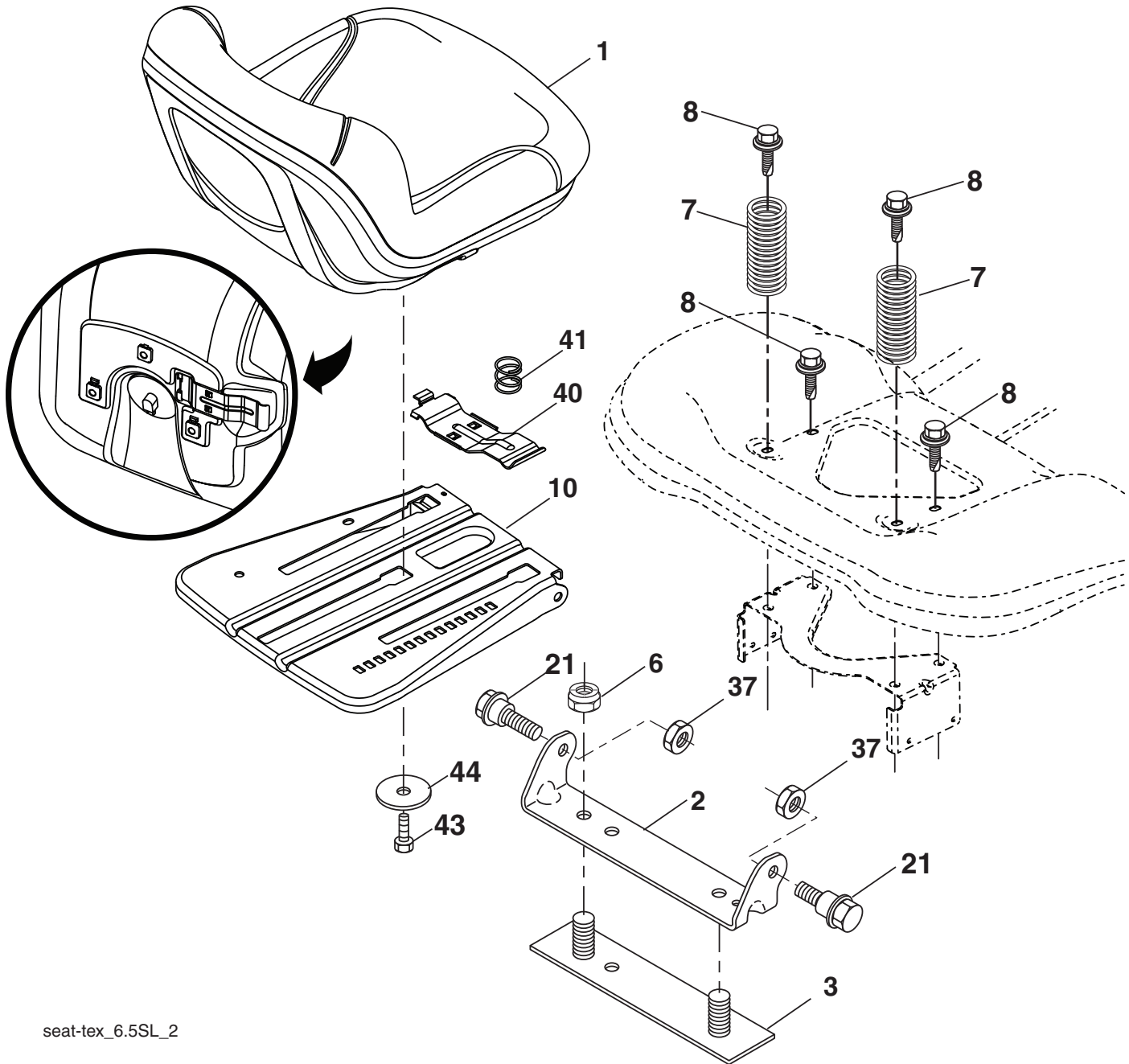
For engine service and replacement parts, call the toll free number for your engine manufacturer listed below:

Briggs & Stratton 1-800-233-3723

Engine Power Rating Information

The gross power rating for individual gas engine models is labeled in accordance with SAE (Society of Automotive Engineers) code J11940 (Small Engine Power & Torque Rating Procedure), and rating performance has been obtained and corrected in accordance with SAE J1995 (Revision 2002-5). Actual gross engine power will be lower and is affected by, among other things, ambient operating conditions and engine-to-engine variability. Given both the wide array of products on which engines are placed and the variety of environmental issues applicable to operating the equipment, the gas engine will not develop the rated gross power when used in a given piece of power equipment (actual "on-site" or net horsepower). This difference is due to a variety of factors including, but not limited to, accessories (air cleaner, exhaust, charging, cooling, carburetor, fuel pump, etc.), application limitations, ambient operating conditions (temperature, humidity, altitude), and engine-to-engine variability. Due to manufacturing and capacity limitations, Briggs & Stratton may substitute an engine of higher rated power for this Series engine.

**TRACTOR - MODEL NO. YTH2348 (96045000504), PRODUCT NO. 960 45 00-05
SEAT ASSEMBLY**



seat-tex_6.5SL_2

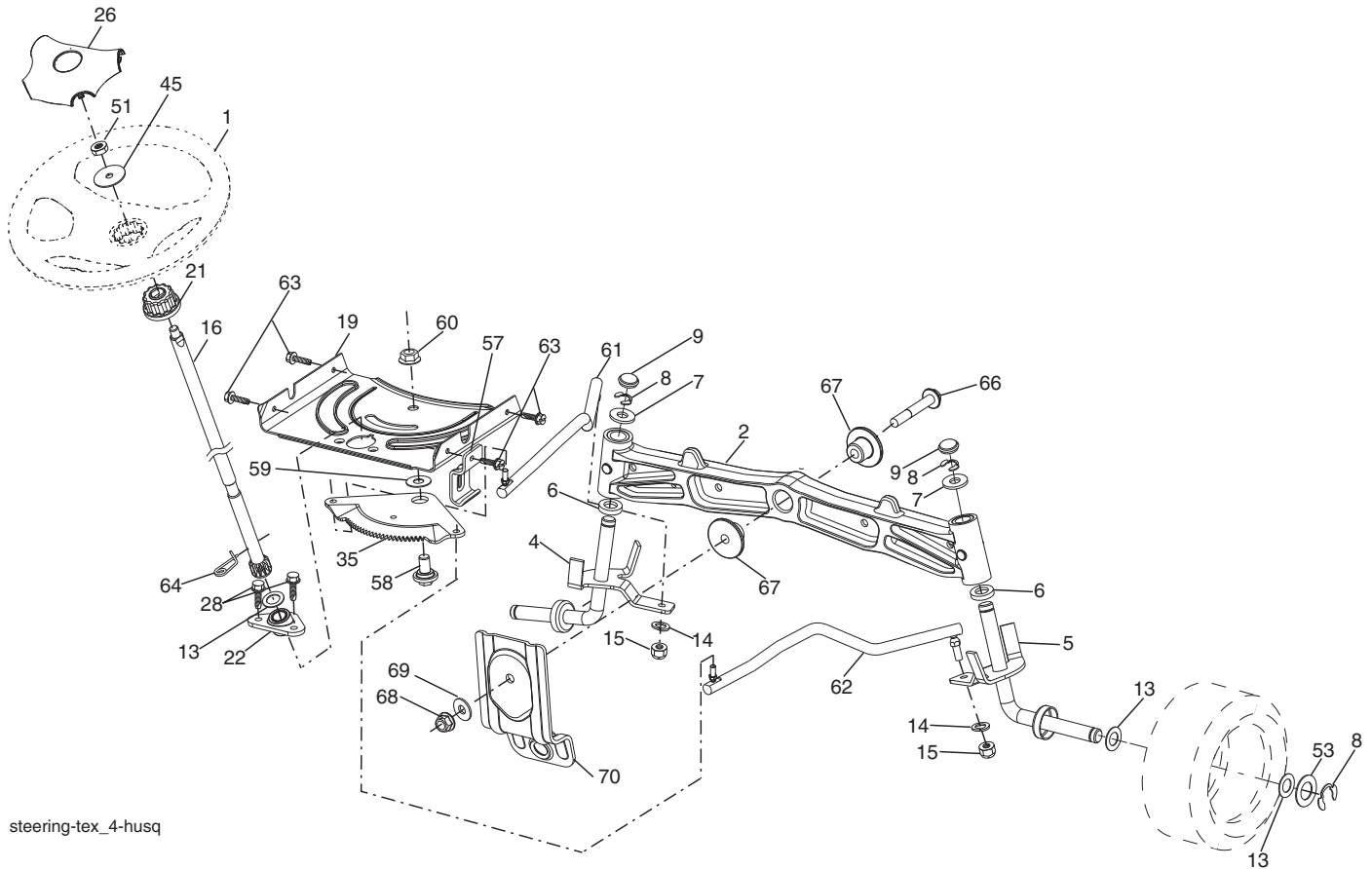
| KEY NO. | PART NO. | DESCRIPTION |
|---------|--------------|-------------------------------|
| 1 | 532 40 66-21 | Seat |
| 2 | 532 18 01-66 | Bracket Pivot Fender |
| 3 | 532 14 06-75 | Strap, Asm Fender |
| 6 | 873 80 06-00 | Nut, Lock w/Ins. 3/8-16 unc |
| 7 | 532 12 41-81 | Spring, Seat Cprsn |
| 8 | 532 17 18-77 | Bolt 5/16-18 unc x 3/4 w/Sems |
| 10 | 532 19 69-77 | Pan, Seat |
| 21 | 532 17 18-52 | Bolt, Shoulder 5/16-18 |

| KEY NO. | PART NO. | DESCRIPTION |
|---------|--------------|-------------------------------|
| 37 | 873 80 05-00 | Nut, Lock 5/16-18 unc |
| 40 | 532 19 76-61 | Handle Slide Seat |
| 41 | 532 19 82-00 | Spring Latch Seat |
| 43 | 874 76 06-12 | Bolt 3/8-16 x 3/4 |
| 44 | 819 13 38-12 | Washer 13/32 x 2-3/8 x 12 Ga. |

NOTE: All component dimensions given in U.S. inches
1 inch = 25.4 mm

TRACTOR - MODEL NO. YTH2348 (96045000504), PRODUCT NO. 960 45 00-05

STEERING ASSEMBLY

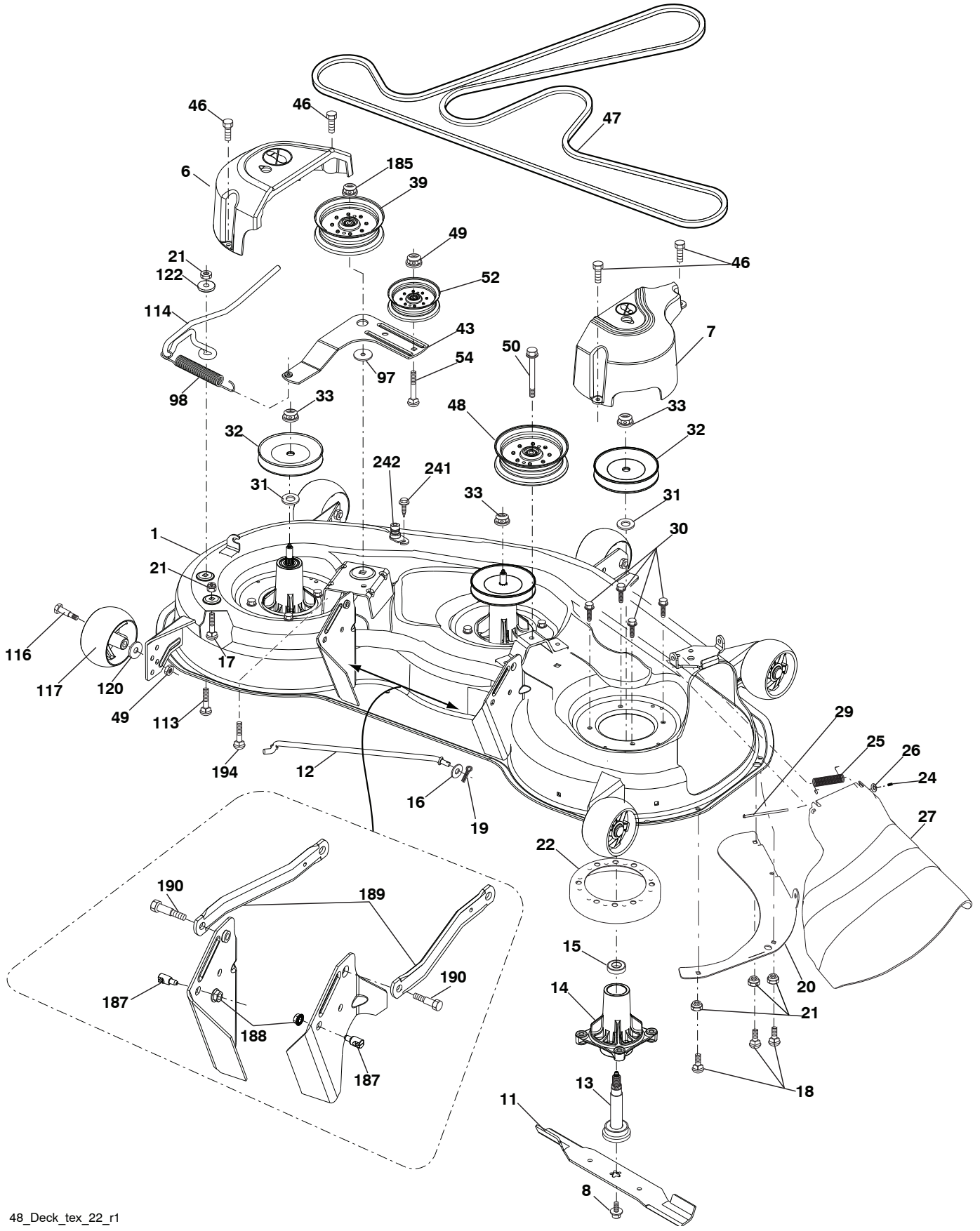


steering-tex_4-husq

| KEY NO. | PART NO. | DESCRIPTION | KEY NO. | PART NO. | DESCRIPTION |
|---------|--------------|-------------------------------|---------|--------------|---------------------------------|
| 1 | 532 42 34-69 | Wheel, Steering | 51 | 873 94 08-00 | Nut Hex Jam Toplock 1/2-20 unf |
| 2 | 532 19 59-68 | Axle Asm., Front | 53 | 532 18 89-67 | Washer Hardened .793x1.637x.060 |
| 4 | 532 40 30-87 | Spindle Asm., LH | 57 | 532 19 72-46 | Bracket Upstop |
| 5 | 532 40 30-88 | Spindle Asm., RH | 58 | 532 19 47-47 | Bolt Shoulder Sector Pivot CFM |
| 6 | 532 12 49-31 | Bearing, Race Thrust Harden | 59 | 532 19 47-48 | Washer Thrust Sector Steering |
| 7 | 532 12 17-48 | Washer 25/32 x 1-5/8 x 16 Ga. | 60 | 873 97 10-00 | Nut Flange Lock 5/8-11 |
| 8 | 812 00 00-29 | Ring, Clip #T5304-75 | 61 | 532 19 47-40 | Draglink, LH |
| 9 | 532 12 12-32 | Cap, Spindle | 62 | 532 19 47-41 | Draglink, RH |
| 13 | 532 12 17-49 | Washer 25/32 x 1-1/4 x 16 Ga. | 63 | 817 00 05-12 | Screw 5/16-18 x 3/4 |
| 14 | 810 04 06-00 | Washer, Lock Hvy Hlcl Spr 3/8 | 64 | 532 19 98-49 | Retainer Clip Spring Steering |
| 15 | 873 54 06-00 | Nut, Crown Lock 3/8-24 unf | 66 | 871 02 07-48 | Bolt Hex Fghd 7/16-14 x 3 Serr |
| 16 | 532 40 82-19 | Shaft Steering | 67 | 532 19 47-37 | Bushing PM Front Axle |
| 19 | 532 19 47-29 | Plate Steering | 68 | 873 90 07-00 | Nut Lock Flange 7/16-14 Gr. 5 |
| 21 | 532 18 67-37 | Adapter, Wheel Steering | 69 | 532 19 91-62 | Washer 1.5 x .505 x .118 |
| 22 | 532 19 48-45 | Bushing, Strg. Blk | 70 | 532 19 61-97 | Bracket Deck Susp. Front |
| 26 | 532 41 59-87 | Insert, Wheel Steering | | | |
| 28 | 817 00 06-12 | Screw 3/8-16 x 3/4 | | | |
| 35 | 532 19 47-32 | Gear, Sector Plate | | | |
| 45 | 819 18 38-12 | Washer 9/16 x 2-3/8 x 12 Ga. | | | |

NOTE: All component dimensions given in U.S. inches
1 inch = 25.4 mm

**TRACTOR - MODEL NO. YTH2348 (96045000504), PRODUCT NO. 960 45 00-05
MOWER DECK**



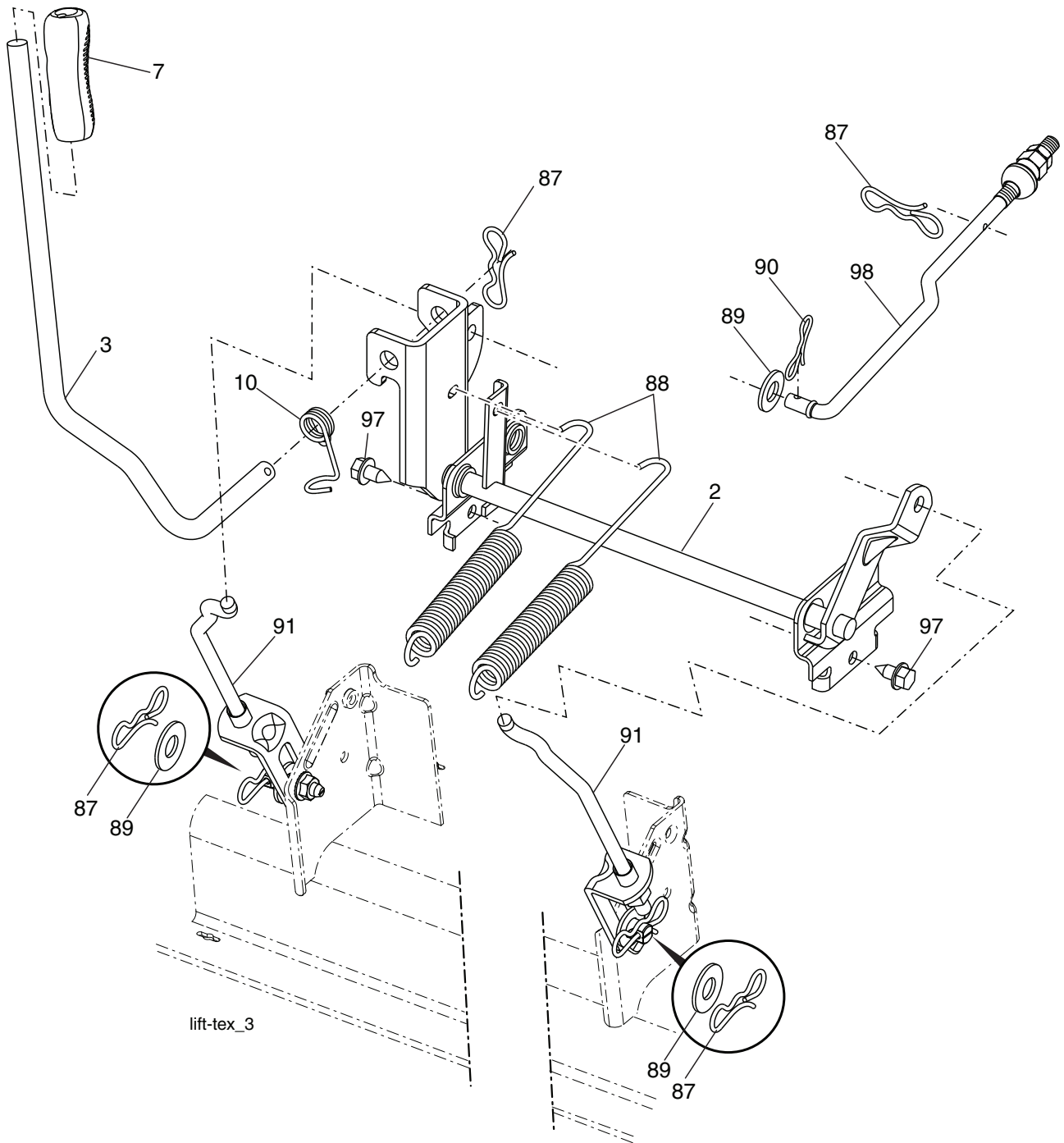
48_Deck_tex_22_r1

**TRACTOR - MODEL NO. YTH2348 (96045000504), PRODUCT NO. 960 45 00-05
MOWER DECK**

| KEY NO. | PART NO. | DESCRIPTION | KEY NO. | PART NO. | DESCRIPTION |
|----------------|-----------------|-------------------------------|----------------|-----------------|---|
| 1 | 532 40 35-82 | Deck Weldment Mower | 47 | 532 19 72-42 | Belt Deck Drive |
| 6 | 532 19 72-48 | Cover Mandrel LH | 48 | 532 19 73-79 | Pulley Idler 4.50 RAW |
| 7 | 532 19 91-02 | Cover Mandrel RH | 49 | 873 90 06-00 | Nut, Lock Flg. 3/8-16 unc |
| 8 | 532 19 30-03 | Bolt 7/16 Asm. Blade | 50 | 817 49 06-36 | Screw TT 3/8-16 x 2-1/4 |
| 11 | 532 18 00-54 | Blade High Lift | 52 | 532 19 31-97 | Pulley Idler 48" Primary |
| - - | 532 17 39-21 | Blade Mulching | 54 | 872 11 06-12 | Bolt Carr. Sh 3/8-16 x 1-1/2 Gr. 5 |
| 12 | 532 40 48-51 | Rod Anti-Sway | 97 | 532 17 85-15 | Washer Hardened |
| 13 | 532 18 72-91 | Shaft Asm. w/Lower Bearing | 98 | 532 19 61-05 | Spring Drive |
| 14 | 532 18 72-81 | Housing, Mandrel | 113 | 872 11 05-08 | Bolt Rdhd Sqnk 5/16-18 x 3/4 |
| 15 | 532 11 04-85 | Bearing, Ball, Mandrel | 114 | 532 19 74-51 | Rod Tension Relief |
| 16 | 819 13 13-12 | Washer 13/32 x 13/16 x 12 Ga. | 116 | 532 19 34-06 | Bolt, Shoulder |
| 17 | 872 11 05-05 | Bolt 5/16-18 x 5/8 | 117 | 532 17 48-73 | Gauge Wheel |
| 18 | 872 14 05-05 | Bolt RdHd 5/16-18 unc x 5/8 | 120 | 819 13 20-12 | Washer 13/32 x 1-1/4 x 12 Ga. |
| 19 | 532 19 42-08 | Pin Cotter 5/16 Bow Tie Lock | 122 | 532 18 75-57 | Bushing Tension Relief |
| 20 | 532 17 43-78 | Baffle Vortex | 185 | 873 90 07-00 | Nut Lock Flange 7/16-14 Gr. 5 |
| 21 | 873 68 05-00 | Nut, Crownlock 5/16-18 unc | 187 | 532 19 51-61 | Stud Fastener w/"D" Anti-Rotation |
| 22 | 532 17 44-93 | Stripper Mandrel | 188 | 873 90 05-00 | Nut Lock Hex Flange |
| 24 | 532 10 53-04 | Cap Sleeve | 189 | 532 19 51-85 | Arm Susp. Mower Rear |
| 25 | 532 17 81-02 | Spring, Torsion | 190 | 532 19 65-39 | Bolt Shoulder |
| 26 | 532 11 04-52 | Nut, Push | 194 | 872 14 07-16 | Bolt Carr Sqnk 7/16-24 x 2 |
| 27 | 532 18 17-07 | Deflector Shield | 241 | 532 15 29-27 | Screw TT #10-32.5 3/8 Flange |
| 29 | 532 13 14-91 | Rod, Hinge | 242 | 532 41 55-98 | Port, Washout |
| 30 | 532 17 39-84 | Screw, Thdroll Washer Head | - - | 532 18 72-92 | Mandrel Assembly (Includes housing, shaft assembly, and bearing only - pulley/nut/washer and blade bolt/washers not included) |
| 31 | 532 18 76-90 | Washer, Spacer Mower Vented | - - | 532 40 12-38 | Replacement Mower, Complete |
| 32 | 532 15 35-32 | Pulley, Mandrel | | | |
| 33 | 532 40 02-34 | Nut, Flg. Top Lock | | | |
| 39 | 532 19 73-80 | Pulley, Idler, 4.50 Hub | | | |
| 43 | 532 19 60-65 | Arm, Idler | | | |
| 46 | 532 13 77-29 | Screw, Thdroll. 1/4-20 x 5/8 | | | |

NOTE: All component dimensions given in U.S. inches
1 inch = 25.4 mm

**TRACTOR - MODEL NO. YTH2348 (96045000504), PRODUCT NO. 960 45 00-05
MOWER LIFT**

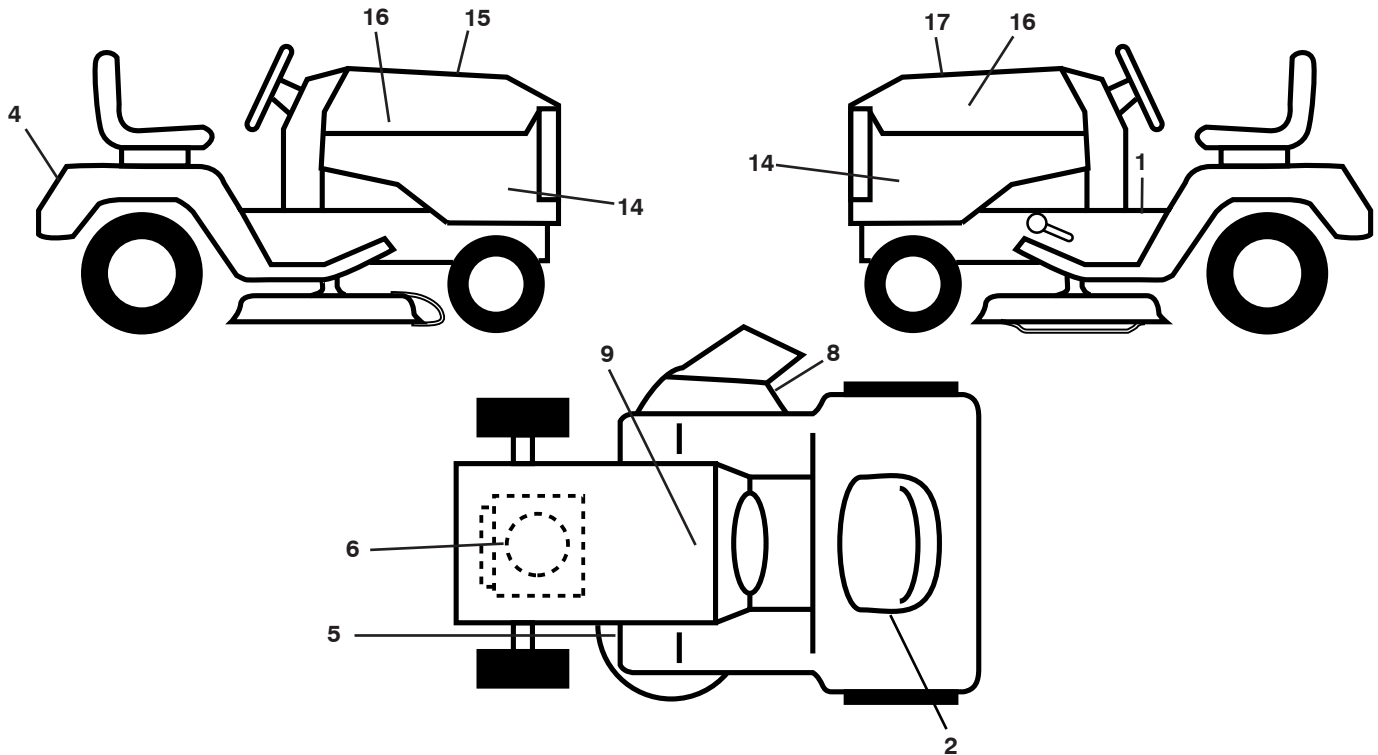


| KEY NO. | PART NO. | DESCRIPTION |
|---------|--------------|------------------------------|
| 2 | 532 19 52-23 | Shaft Asm., Lift |
| 3 | 532 19 52-31 | Lever Asm., Lift |
| 7 | 532 41 15-55 | Grip, Lever |
| 10 | 532 19 63-14 | Spring Torsion |
| 87 | 532 19 42-09 | Pin Cotter 7/16 Bow Tie Lock |
| 88 | 532 41 07-10 | Spring Lift Assist |
| 89 | 819 19 19-12 | Washer Clear Zinc |

| KEY NO. | PART NO. | DESCRIPTION |
|---------|--------------|------------------------------|
| 90 | 532 19 42-08 | Pin Cotter 5/16 Bow Tie Lock |
| 91 | 532 19 51-81 | Link Lift Susp Mower Rear |
| 97 | 817 00 06-12 | Screw 3/8-16 x .75 |
| 98 | 532 19 52-64 | Link Lift Susp. Front Mower |

NOTE: All component dimensions given in U.S. inches
1 inch = 25.4 mm

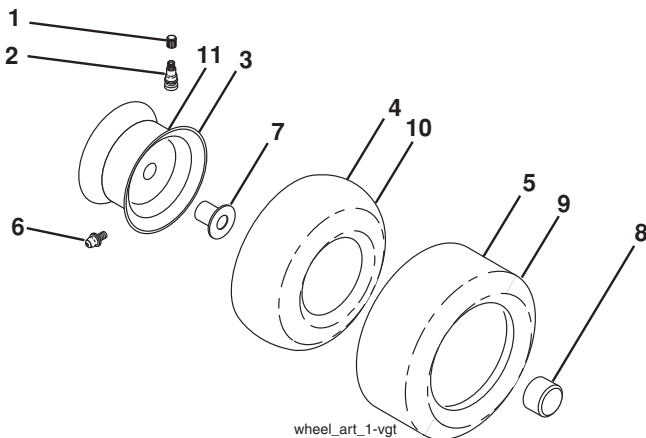
**TRACTOR - MODEL NO. YTH2348 (96045000504), PRODUCT NO. 960 45 00-05
DECALS**



| KEY NO. | PART NO. | DESCRIPTION |
|---------|--------------|-------------------------|
| 1 | 532 41 91-38 | Decal, Operator's |
| 2 | 532 42 38-30 | Decal, Ethanol E85 |
| 4 | 532 19 15-54 | Decal, Fender |
| 5 | 532 17 84-55 | Decal, Caution |
| 6 | 532 40 88-41 | Decal, Eng. HP |
| 8 | 532 19 87-85 | Decal, Mower Sch. |
| 9 | 532 14 50-05 | Decal, Battery Dnge/Poi |
| 14 | 532 41 00-55 | Decal, Panel Side |
| 15 | 532 18 09-41 | Decal, Cust. Resp. |

| KEY NO. | PART NO. | DESCRIPTION |
|---------|--------------|--------------------|
| 16 | 532 42 20-12 | Decal, Hood Logo |
| 17 | 532 42 39-97 | Decal, Replacement |
| -- | 532 16 69-60 | Decal, Bypass |
| -- | 532 41 08-05 | Pad, Footrest, LH |
| -- | 532 41 08-06 | Pad, Footrest, RH |

WHEELS AND TIRES



| KEY NO. | PART NO. | DESCRIPTION |
|---------|--------------|------------------------------------|
| 1 | 532 05 91-92 | Cap, Valve, Tire |
| 2 | 532 06 51-39 | Stem, Valve |
| 3 | 532 13 83-36 | Rim Assembly, Front |
| 4 | 532 05 99-04 | Tube, Front (Service Item Only) |
| 5 | 532 10 62-22 | Tire, Front |
| 6 | 532 12 49-57 | Fitting, Grease (Front Wheel Only) |
| 7 | 532 12 49-59 | Bearing, Flange (Front Wheel Only) |
| 8 | 532 17 50-39 | Cap, Axle (Front Wheel Only) |
| 9 | 532 13 84-68 | Tire, Rear |
| 10 | 532 12 49-26 | Tube, Rear (Service Item Only) |
| 11 | 532 13 83-37 | Rim Assembly, Rear |
| -- | 532 14 43-34 | Sealant, Tire (10 oz. Tube) |

NOTE: All component dimensions given in U.S. inches
1 inch = 25.4 mm

WARRANTY STATEMENT

SECTION 1: LIMITED WARRANTY

Husqvarna Forest & Garden Company ("Husqvarna") warrants Husqvarna product to be free from defects in material and workmanship from the date of purchase for the "Warranty Period" of the product as set forth below:
Lifetime Warranty (Parts and Labor): All tiller lines and trimmer shafts against breakage. Proof of purchase required.
Lifetime Warranty ("PARTS ONLY" after initial warranty expiration): Ignition coils and modules on handheld product. Proof of purchase required.

WARRANTY SCHEDULE FOR TURF CARE EQUIPMENT - Zero Turn Riders

- (New warranty applies to units sold after August 1, 2005. Also applies to units factory-equipped with R.O.P.S.)
- EZ Zero Turn Riders:** 3 year consumer warranty or 600 hours of use (when used solely at the owner's residence).
 - EZ & MZ Zero Turn Riders:** 1 year commercial warranty or 600 hours of use.
 - IZ, LZ & BZ Zero Turn Riders:** 5 year consumer warranty or 1,500 hours of use.
 - IZ, LZ & BZ Zero Turn Riders:** 5 year commercial warranty or 1,500 hours of use.
 - 3 Year or 1,500 Hour Commercial Use Warranty:** spindles on zero turn riders, hydraulic pumps and wheel motors. Warranty Schedule for Turf Care Walk Behind Units - W, WG & WH Zero Turn Riders - 3 year consumer and commercial warranty. New warranty applies to units sold after August 1, 2005. Also applies to units factory-equipped with R.O.P.S.
 - 2 Year COMMERCIAL and CONSUMER Warranty:** all Husqvarna ground-engaging commercial equipment.

WARRANTY SCHEDULE FOR CONSUMER TURF CARE EQUIPMENT:

- 2 Year Consumer Warranty:** Automatic mower, all Residential Zero Turn Riders, all lawn, yard and garden tractors, all noncommercial walk behind mowers, tillers, snow blowers, electrical products and power-assist collection systems for noncommercial, non-professional, non-institutional or nonincome producing use, except as herein stated. All consumer product use must have been limited to the owner's residence.

WARRANTY SCHEDULE FOR CONSUMER FOREST & GARDEN EQUIPMENT:

- 2 Year Consumer Warranty:** all consumer chain saws, trimmers, brushcutters, clearing saws, handheld blowers, backpack blowers, hedge trimmers, and electrical products for noncommercial, non-professional, non-institutional or nonincome producing use, except as herein stated. All consumer product use must have been limited to the owner's residence.
- 1 Year or 2,000 Hour Powertrain & 1 Year or 1,000 Hour Body Warranty:** Husqvarna Utility Vehicles.
- 1 Year Warranty:** Power cutters, stump grinder, pole pruners and pole saws for non-commercial, non-professional, non-institutional, non-municipality or non-income producing use. All 300 series trimmers, brushcutters, clearing saws, hovering trimmers, sick edgers, backpack blowers, hand held blowers, hedge trimmers, power-assist collection systems for commercial, institutional, professional or income producing purposes or use.
- 1 Year Conditional Component Warranty:** Chain saw crankshafts for commercial/professional use (parts and labor). Saw must be operated with Husqvarna XP 2 cycle oil.

90 Day Commercial Warranty: Automatic mower, chain saws, 100 series trimmers, power cutters, stump grinders, pole saws, pole pruners, snow throwers, model series 580 & 600 walk-behind mowers, or any Husqvarna product used for commercial, institutional, professional, municipality or income producing purposes or use except as otherwise provided herein.

Batteries: 1 year prorated limited warranty with 100% replacement during the first 6 months.

Rental Warranty: 90 days on all applicable professional equipment reference warranty time period charts

located in the back of the Retailer Warranty Policy & Procedure Manual.

Husqvarna Safety Apparel carries a 90-day warranty from the date of the customer's original purchase for defects in material and workmanship. Normal wear, tear or abuse is not covered under warranty. Product must be returned to Charlotte with a warranty claim form. All care and maintenance instructions must be followed as stated by the manufacturer on the care label. The fit of the protective apparel/boot is not covered under warranty.

30 Day Warranty: Replacement parts, accessories including bars and chains, tools and display items. Emission control system components necessary to comply with CARB-TIER II and EPA regulations, except for those components which are part of engine systems manufactured by third part engine manufacturers for which the purchaser has received a separate warranty with product at time of purchase.

SECTION 2: HUSQVARNA'S OBLIGATIONS UNDER THE WARRANTY

Husqvarna will repair or replace defective components without charge for parts or labor if a component fails because of a defect in material or workmanship during the warranty period.

SECTION 3: ITEMS NOT COVERED BY THIS WARRANTY

The following items are not covered by this warranty:

- (1) Normal customer maintenance items which become worn through normal regular use, including, but not limited to, belts, blades, blade adapters, bulbs, clutches, clutch drums, filters, guide bars, lubricants, rewind springs, saw chain, spark plugs,

starter ropes and tiller lines;

- (2) Natural discoloration of material due to ultraviolet light;
- (3) Engine and drive systems not manufactured by Husqvarna; these items are covered by the respective manufacturer's warranty as provided in writing with the product information supplied at the time of purchase; all claims must be sent to the appropriate manufacturer;
- (4) Lawn and garden attachments are covered by a third party which gives a warranty, all claims for warranty should be sent to the manufacturer;
- (5) Commercial or consumer mowing decks with sand abrasion damage;
- (6) Emission Control System components necessary to comply with CARB-TIER II and EPA regulations which are manufactured by third party engine manufacturer.

SECTION 4: EXCEPTIONS AND LIMITATIONS

This warranty shall be inapplicable to defects resulting from the following:

- (1) Accident, abuse, misuse, negligence and neglect, including stale fuel, dirt, abrasives, moisture, rust, corrosion, or any adverse reaction due to incorrect storage or use habits;
- (2) Failure to operate or maintain the unit in accordance with the Owner's/Operator's manual or instruction sheet furnished by Husqvarna;
- (3) Alterations or modifications that change the intended use of the product or affects the product's performance, operation, safety, or durability, or causes the product to fail to comply with any applicable laws; or;
- (4) Additional damage to parts or components due to continued use occurring after any of the above.

REPAIR OR REPLACEMENT AS PROVIDED UNDER THIS WARRANTY IS THE EXCLUSIVE REMEDY OF THE PURCHASER. HUSQVARNA SHALL NOT BE LIABLE FOR ANY INCIDENTAL OR CONSEQUENTIAL DAMAGES FOR BREACH OF ANY EXPRESS OR IMPLIED WARRANTY ON THESE PRODUCTS EXCEPT TO THE EXTENT PROHIBITED BY APPLICABLE LAW. ANY IMPLIED WARRANTY OF MERCHANTABILITY OR FITNESS FOR A PARTICULAR PURPOSE ON THESE PRODUCTS IS LIMITED IN DURATION TO THE WARRANTY PERIOD AS DEFINED IN THE LIMITED WARRANTY STATEMENT. HUSQVARNA RESERVES THE RIGHT TO CHANGE OR IMPROVE THE DESIGN OF THE PRODUCT WITHOUT NOTICE, AND DOES NOT ASSUME OBLIGATION TO UPDATE PREVIOUSLY MANUFACTURED PRODUCTS.

Some states do not allow the exclusion of incidental or consequential damages, or limitations on how long an implied warranty lasts, so the above limitations or exclusions may not apply to you. This warranty gives you specific legal rights, and you may also have other rights which vary from state to state.

SECTION 5: CUSTOMER RESPONSIBILITIES

The product must exhibit reasonable care, maintenance, operation, storage and general upkeep as written in the maintenance section of the Owner's/Operator's manual. Should an operational problem or failure occur, the product should not be used, but delivered as is to an authorized Husqvarna retailer for evaluation. Proof of purchase, as explained in section 6, rests solely with the customer.

SECTION 6: PROCEDURE TO OBTAIN WARRANTY CONSIDERATION

It is the Owner's and Retailer's responsibility to make certain that the Warranty Registration Card is properly filled out and mailed to Husqvarna Forest & Garden Company. This card should be mailed within ten (10) days from the date of purchase in order to confirm the warranty and to facilitate post-sale service.

Proof of purchase must be presented to the authorized Husqvarna retailer in order to obtain warranty service. This proof must include date purchased, model number, serial number, and complete name and address of the selling retailer.

To obtain the benefit of this warranty, the product believed to be defective must be delivered to an authorized Husqvarna retailer in a timely manner, no later than thirty (30) days from date of the operational problem or failure. The product must be delivered at the owner's expense. Downtime, pick-up and delivery charges are not covered by this warranty. An authorized Husqvarna retailer can be normally located through the "Yellow Pages" of the local telephone directory or by calling 1-800-HUSKY62 for a retailer in your area.

HUSQVARNA
7349 Statesville Road
Charlotte, NC 28269

2008