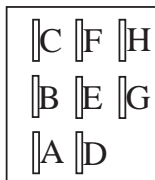
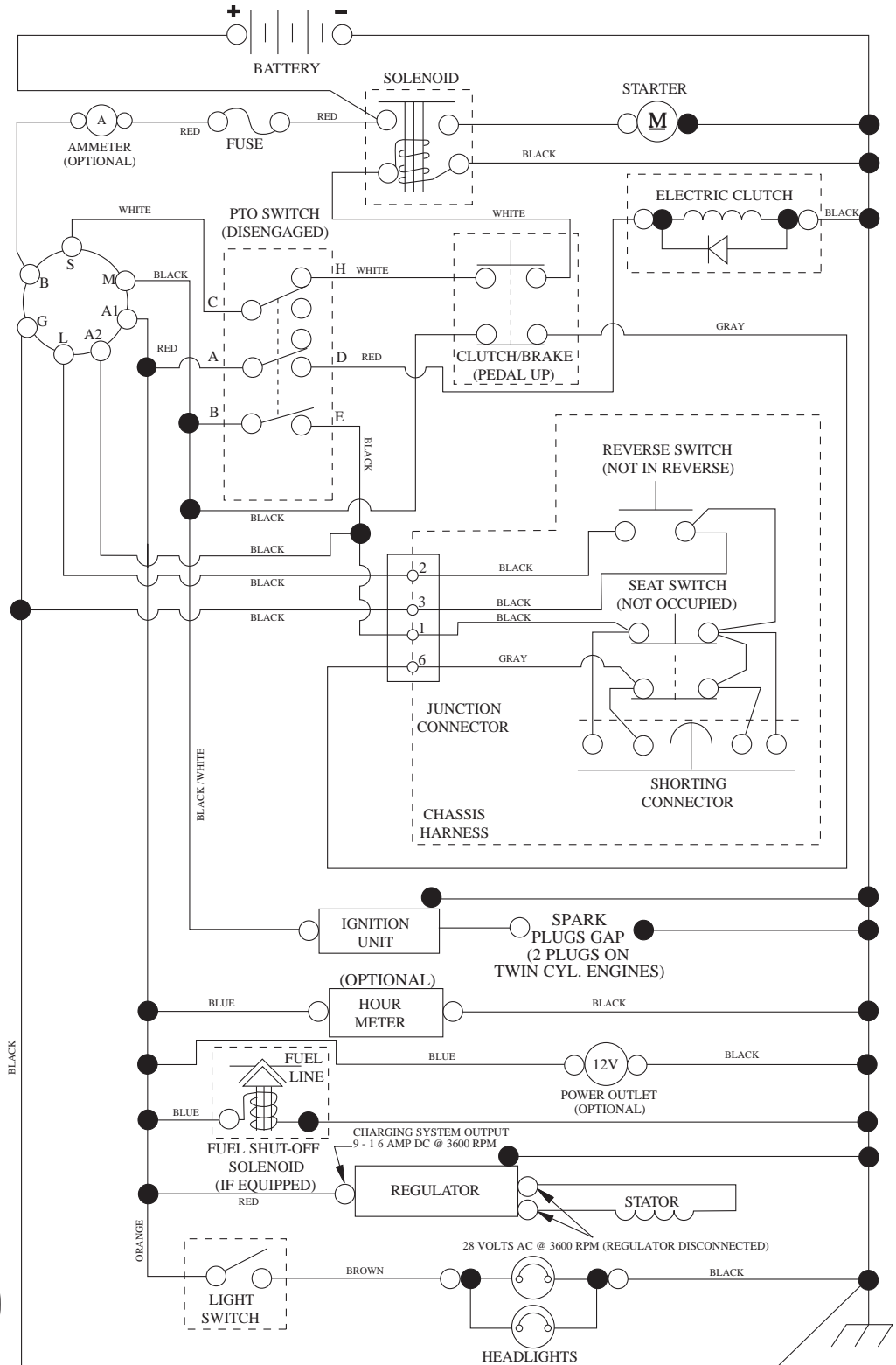


YTH22V42LS

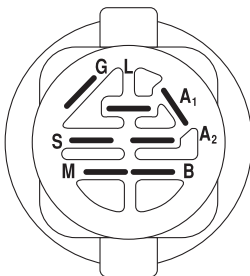
Illustrated Parts List / 96043008700 / 2009-12

TRACTOR - MODEL NO. YTH22V42LS (96043008700), PRODUCT NO. 960 43 00-87 SCHEMATIC

SCH12

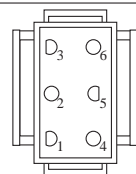


PTO SWITCH
(MATING SIDE)

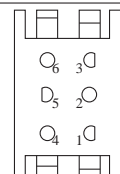


IGNITION SWITCH

| POSITION | CIRCUIT | "MAKE" |
|--------------|---------|--------|
| OFF | M+G+A1 | |
| RUN/OVERRIDE | B+A1 | |
| RUN | B+A1 | L+A2 |
| START | B+S+A1 | |



CHASSIS HARNESS
CONNECTOR
(MATING SIDE)



DASH HARNESS
CONNECTOR

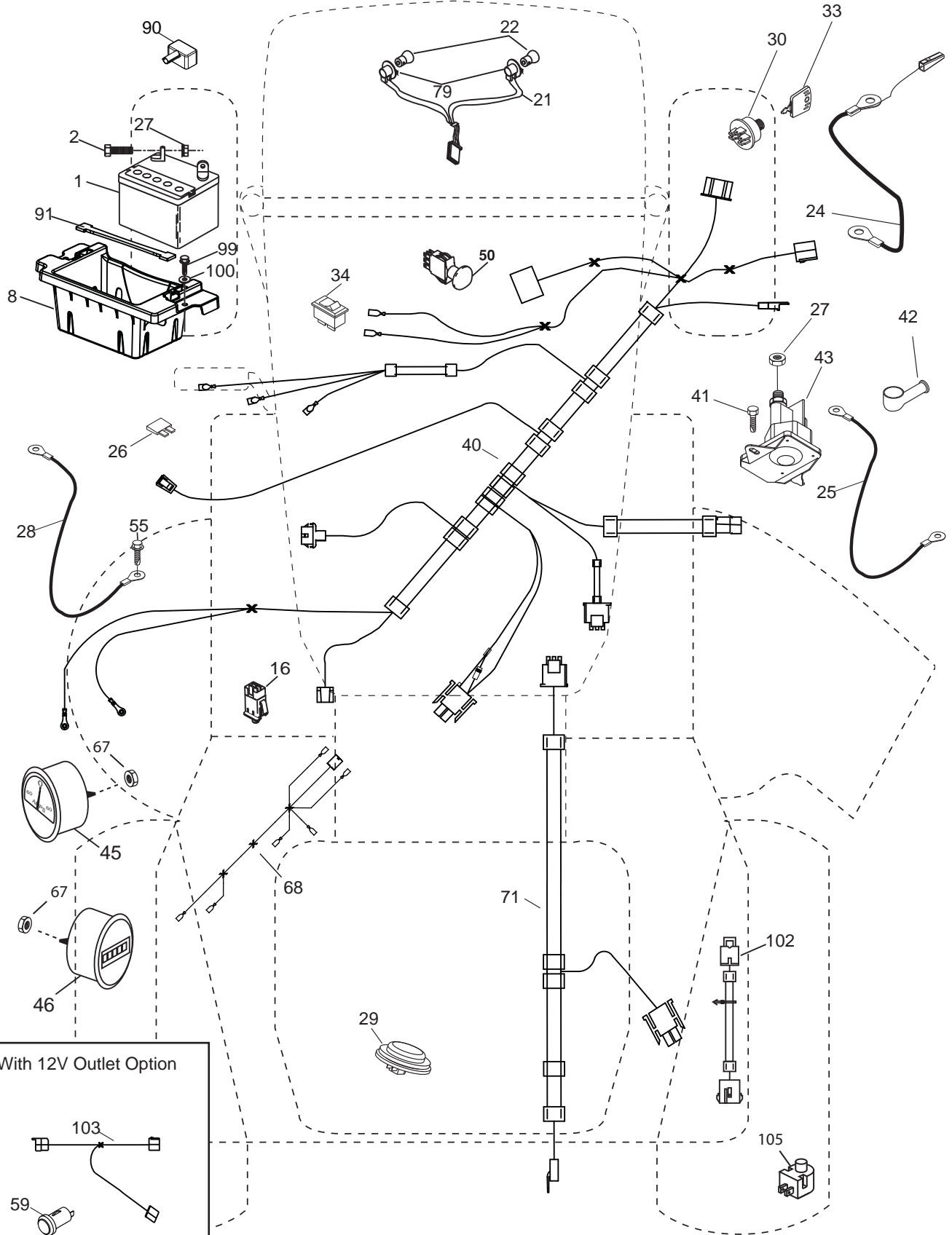
WIRING INSULATED CLIPS
NOTE: IF WIRING INSULATED
CLIPS WERE REMOVED FOR
SERVICING OF UNIT, THEY
SHOULD BE RE-INSTALLED TO
PROPERLY SECURE YOUR
WIRING.

●
NON-REMOVABLE
CONNECTIONS

○
REMOVABLE
CONNECTIONS

**TRACTOR - MODEL NO. YTH22V42LS (96043008700), PRODUCT NO. 960 43 00-87
ELECTRICAL**

T15S



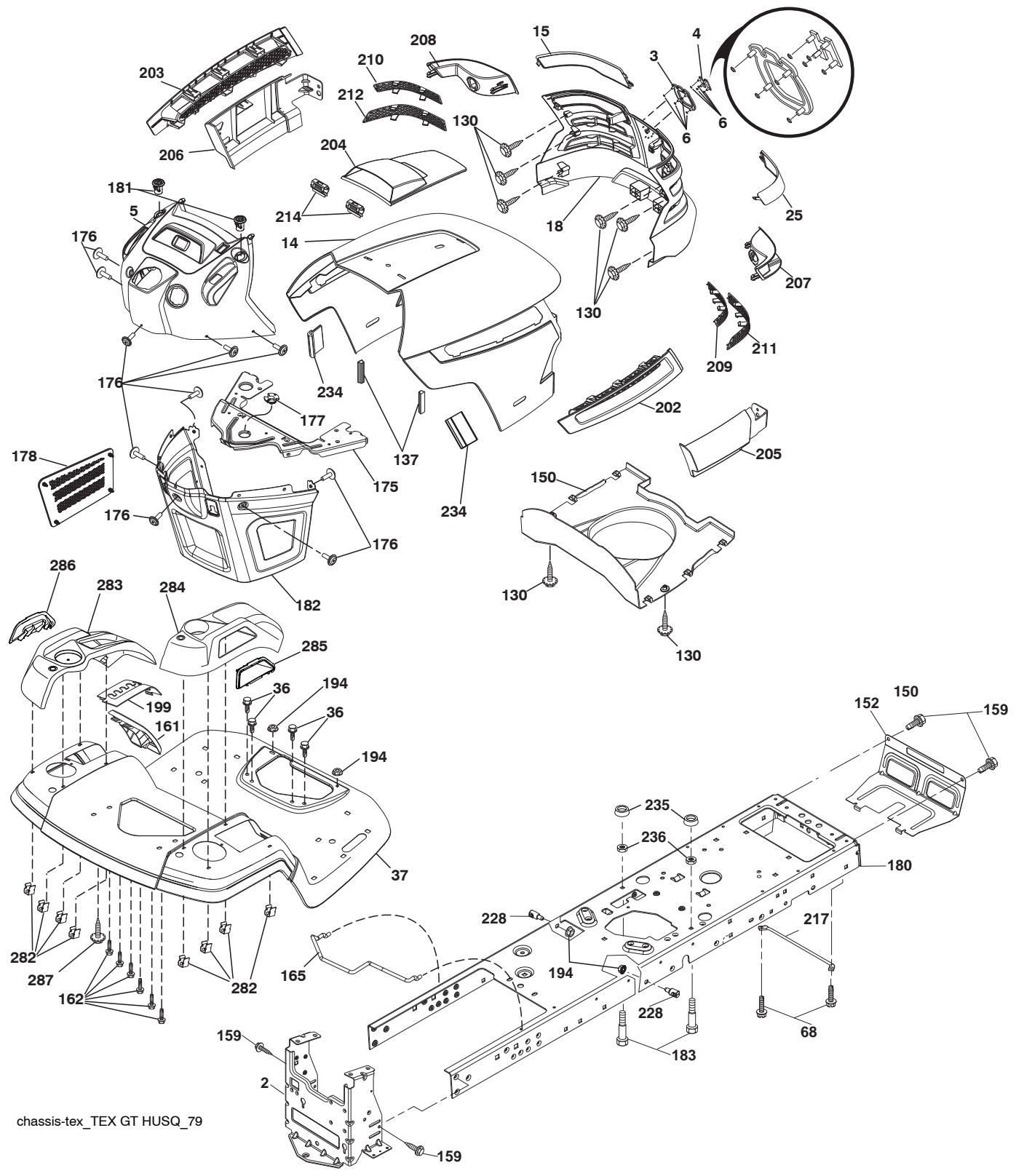
With 12V Outlet Option

**TRACTOR - MODEL NO. YTH22V42LS (96043008700), PRODUCT NO. 960 43 00-87
ELECTRICAL**

| KEY NO. | PART NO. | DESCRIPTION |
|----------------|-----------------|----------------------------------|
| 1 | 532 16 34-65 | Battery |
| 2 | 874 76 04-12 | Bolt Hex Head 1/4-20 x 3/4 |
| 8 | 532 18 64-91 | Box Battery |
| 16 | 532 17 61-38 | Switch Interlock Push-In |
| 21 | 532 18 37-59 | Harness Socket Light w/4152J |
| 22 | 532 00 41-52 | Bulb Light |
| 24 | 532 40 02-53 | Cable Battery 8" |
| 25 | 532 41 28-95 | Cable Starter |
| 26 | 532 17 51-58 | Fuse |
| 27 | 873 51 04-00 | Nut Keps Hex 1/4-20 unc |
| 28 | 532 14 54-91 | Cable, Ground |
| 29 | 532 40 15-45 | Switch, Seat |
| 30 | 532 19 33-50 | Switch, Ign |
| 33 | 532 41 19-35 | Key/Chain |
| 34 | 532 11 07-12 | Switch Light / Reset |
| 40 | 532 40 21-67 | Harness Ign. Dash |
| 41 | 817 72 04-08 | Screw Thd Cut 1/4-20 x 1/2 |
| 42 | 532 13 15-63 | Cover, Terminal |
| 43 | 532 19 25-07 | Solenoid |
| 45 | 532 42 66-53 | Ammeter Gauge Round Snap-In |
| 46 | 532 42 66-54 | Gauge Hrmtr |
| 50 | 532 17 46-51 | Switch PTO |
| 55 | 817 06 05-12 | Screw Thdrol 5/16-18 x 3/4 TYTT |
| 59 | 532 40 03-03 | Outlet 12-Volt |
| 67 | 532 42 06-68 | Nut |
| 68 | 532 42 06-41 | Harness Jumper |
| 71 | 532 19 42-76 | Harness Ign. |
| 79 | 532 17 52-42 | Socket Asm Bulb Twistlock |
| 90 | 532 40 07-24 | Cover Terminal |
| 91 | 532 19 02-70 | Strap Battery Mount Front |
| 99 | 817 67 04-12 | Screw Hexwsh Thdrol 1/4-20 x 3/4 |
| 100 | 819 09 14-16 | Washer 9/32 x 7/8 x 16 Ga. |
| 102 | 532 40 44-54 | Harness Pigtail |
| 103 | 532 42 17-47 | Harness 12-Volt Pigtail |
| 105 | 532 40 75-68 | Switch Reverse TT Pedal Control |

NOTE: All component dimensions given in U.S. inches
1 inch = 25.4 mm

**TRACTOR - MODEL NO. YTH22V42LS (96043008700), PRODUCT NO. 960 43 00-87
CHASSIS**



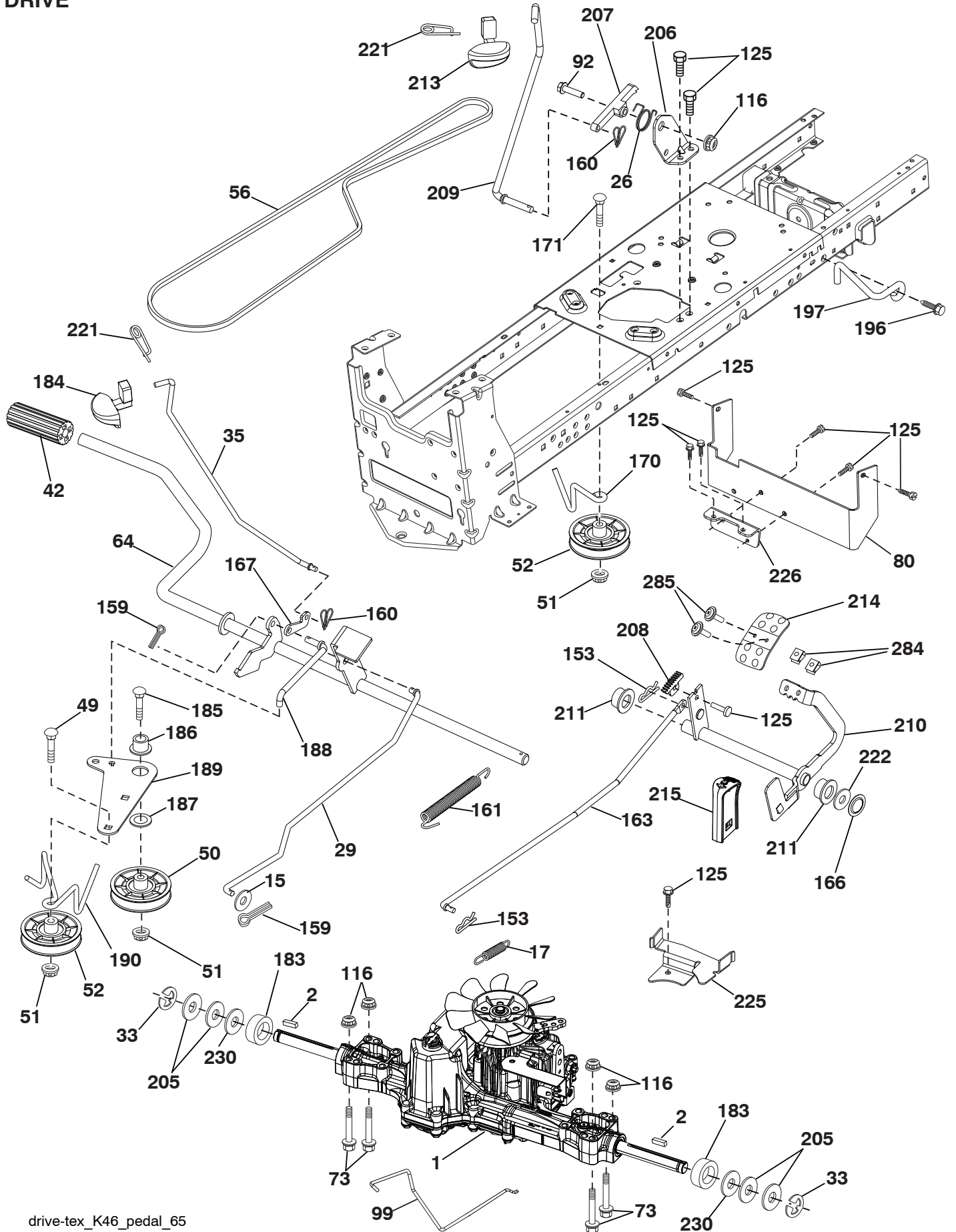
chassis-tex_TEX GT HUSQ_79

**TRACTOR - MODEL NO. YTH22V42LS (96043008700), PRODUCT NO. 960 43 00-87
CHASSIS**

| KEY NO. | PART NO. | DESCRIPTION | KEY NO. | PART NO. | DESCRIPTION |
|----------------|-----------------|-------------------------------|----------------|-----------------|-----------------------|
| 2 | 532 19 42-63 | Drawbar | 199 | 532 41 34-85 | Plate Deck Lift |
| 3 | 532 40 86-06 | Trim, Husq. | 202 | 532 40 30-48 | Vent Side Hood RH |
| 4 | 532 40 50-12 | Logo | 203 | 532 40 30-76 | Vent Side Hood LH |
| 5 | 532 40 86-98 | Dash | 204 | 532 41 66-13 | Vent Top Hood |
| 6 | 532 11 04-52 | Nut, Push | 205 | 532 40 17-09 | Skirt Hood Side RH |
| 14 | 532 41 10-46 | Hood | 206 | 532 40 17-11 | Skirt Hood Side LH |
| 15 | 532 19 89-07 | Lens LH | 207 | 532 19 71-98 | Bezel RH |
| 18 | 532 40 86-07 | Grille/Lens Asm. | 208 | 532 19 71-99 | Bezel LH |
| 25 | 532 19 89-06 | Lens RH | 209 | 532 19 91-30 | Insert Hex Top RH |
| 36 | 817 06 05-12 | Screw 5/16-18 x 3/4 | 210 | 532 19 91-31 | Insert Hex Top LH |
| 37 | 532 42 36-94 | Fender | 211 | 532 19 91-32 | Insert Hex Bottom RH |
| 68 | 817 49 05-08 | Screw Thdrol 5/16-18 x 1/2 | 212 | 532 19 91-33 | Insert Hex Bottom LH |
| 130 | 532 41 63-58 | Screw 10 x 0.750 BOS Thread | 214 | 532 19 91-45 | Clip Retainer Tinner |
| 137 | 532 40 75-90 | Bumper Dash | 217 | 532 40 91-67 | Rod Pivot |
| 150 | 532 19 85-12 | Air Duct | 228 | 532 19 51-61 | Stud Fastener |
| 152 | 532 19 43-29 | Shield Browning | 234 | 532 40 47-42 | Bumper Hood |
| 159 | 817 00 06-12 | Screw 3/8-16 x 3/4 | 235 | 532 40 61-29 | Spacer Fender |
| 161 | 532 40 96-27 | Window Fuel | 236 | 873 93 05-00 | Nut Lock 5/16-18 unc |
| 162 | 532 14 24-32 | Screw HexWsh Hi-Lo 1/4x1/2unc | 282 | 532 41 41-10 | Clip Retainer Console |
| 165 | 532 19 43-30 | Support Tank Rear | 283 | 532 41 87-41 | Console Deck Lift |
| 175 | 532 19 63-04 | Crossmember | 284 | 532 41 78-87 | Console Shift |
| 176 | 532 40 07-76 | Screw 10-24 x 5/8 | 285 | 532 41 63-15 | Console Insert RH |
| 177 | 532 19 52-27 | Bushing Steering | 286 | 532 41 63-17 | Console Insert LH |
| 178 | 532 19 97-82 | Cargo Net Asm. | 287 | 817 60 04-06 | Screw 1/4-20 X 3/8 |
| 180 | 532 19 42-60 | Chassis | - - | 532 43 18-82 | Kit Guard Brush |
| 181 | 532 40 30-25 | Bushing Mtg. Fender Crgo | | | |
| 182 | 532 40 68-59 | Dash Lower | | | |
| 183 | 874 52 05-20 | Bolt 5/16-18 x 1-1/4 | | | |
| 194 | 873 90 05-00 | Nut Lock Hex Flange 5/16-18 | | | |

NOTE: All component dimensions given in U.S. inches
1 inch = 25.4 mm

**TRACTOR - MODEL NO. YTH22V42LS (96043008700), PRODUCT NO. 960 43 00-87
DRIVE**

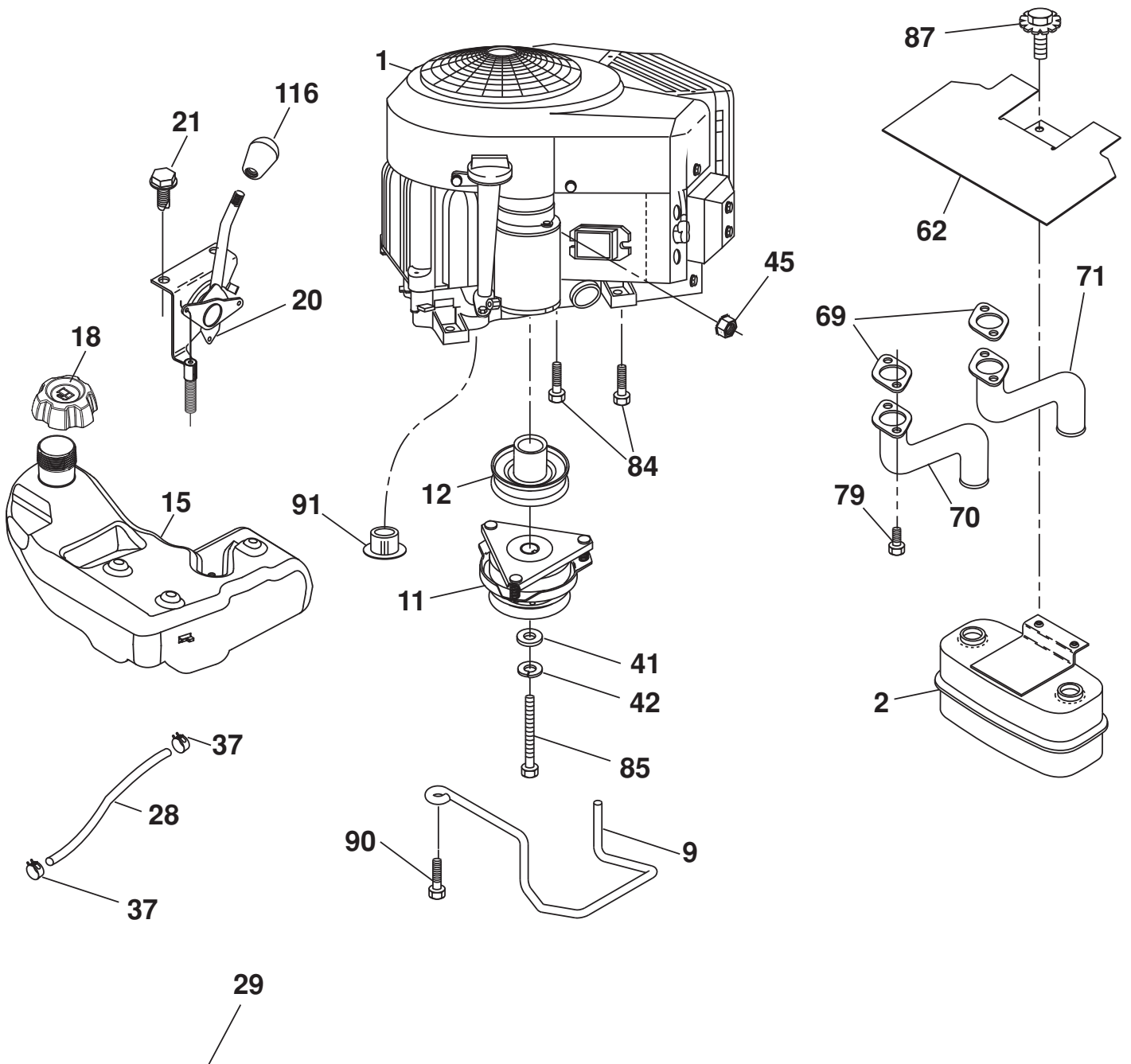


drive-tex_K46_pedal_65

TRACTOR - MODEL NO. YTH22V42LS (96043008700), PRODUCT NO. 960 43 00-87 DRIVE

| KEY NO. | PART NO. | DESCRIPTION | KEY NO. | PART NO. | DESCRIPTION |
|----------------|-----------------|---------------------------------|----------------|-----------------|----------------------------------|
| 1 | 532 42 61-20 | Transaxle, TUFFTORQ K46BT | 185 | 872 11 06-22 | Bolt Rdhd Sqnk 3/8-16 x 2-1/2 |
| 2 | 532 12 35-83 | Key | 186 | 532 19 43-21 | Spacer Retainer |
| 15 | 819 13 13-16 | Washer 13/32 x 13/16 x 16 Ga. | 187 | 819 13 32-10 | Washer |
| 17 | 532 41 36-78 | Spring, Brake | 188 | 532 19 43-23 | Link Clutch Ground Drive |
| 26 | 532 19 96-79 | Spring Return Cruise | 189 | 532 19 43-17 | Bellcrank Ground Drive |
| 29 | 532 40 38-06 | Rod, Brake | 190 | 532 19 43-18 | Keeper Bellcrank Ground Drive |
| 33 | 812 00 00-01 | Ring E | 196 | 817 00 06-16 | Screw 3/8-16 x 1 |
| 35 | 532 19 95-91 | Rod, Brake, Park | 197 | 532 19 58-04 | Bracket Clutch Anti-Rotation |
| 42 | 532 12 48-72 | Cover, Foot Pedal | 205 | 532 12 17-48 | Washer |
| 49 | 872 11 06-14 | Bolt | 206 | 532 19 78-67 | Bracket Mount Latch Cruise |
| 50 | 532 19 43-27 | Pulley Idler Flat | 207 | 532 19 78-68 | Latch Control Cruise |
| 51 | 873 90 06-00 | Lock Nut 3/8-16 | 208 | 532 19 78-69 | Gear Sector Control Cruise |
| 52 | 532 19 43-26 | Idler V-Groove 910" Offset | 209 | 532 19 95-92 | Rod Control Cruise |
| 56 | 532 13 09-69 | V-Belt, Drive | 210 | 532 40 09-80 | Rocker Asm. Pedal Control |
| 64 | 532 19 78-65 | Shaft Asm. Pedal Brake Control | 211 | 532 12 01-83 | Bearing Nylon |
| 73 | 874 49 05-44 | Bolt Hex Flghd 5/16-18 Gr. 5 | 213 | 532 40 31-19 | Knob Control Cruise |
| 80 | 532 41 00-24 | Bracket Strap Torque | 214 | 532 41 68-63 | Pedal Forward |
| 92 | 874 76 05-20 | Bolt Fin Hex 5/16-18 unc x 1.25 | 215 | 532 40 17-23 | Pedal Reverse |
| 99 | 532 41 57-42 | Rod Spring Bypass | 221 | 532 40 31-87 | Retainer Spring Clip Handle |
| 116 | 873 90 05-00 | Nut Lock Hex Flange 5/16-18 | 222 | 879 21 20-10 | Washer 21/32 x 1-1/4 x 10 Ga. |
| 125 | 817 00 05-12 | Screw 5/16-18 x 3/4 | 225 | 532 40 33-19 | Keeper Belt Trans. |
| 153 | 532 12 47-88 | Retainer Spring | 226 | 532 40 15-64 | Bracket Mount Torque |
| 159 | 876 02 04-12 | Pin Cotter 1/8 x 3/4 | 230 | 532 18 89-67 | Washer Hardened |
| 160 | 532 16 94-84 | Retainer Clip | 284 | 532 41 76-93 | Nut U-CHNL 1/4-20 550DP .350 PNL |
| 161 | 532 10 57-09 | Spring, Return, Clutch | 285 | 532 41 77-65 | Screw PHD 1/4-20 Box Drive |
| 163 | 532 40 10-34 | Rod Pedal Control | | | |
| 166 | 532 42 83-05 | Nut Push | | | |
| 167 | 532 40 52-57 | Latch Brake Parking | | | |
| 170 | 532 19 43-22 | Keeper Belt Centerspan | | | |
| 171 | 872 11 06-16 | Bolt RDHD SQNK 3/8-16 unc x 2 | | | |
| 183 | 532 13 70-57 | Spacer Split | | | |
| 184 | 532 40 31-18 | Handle Parking Brake | | | |

NOTE: All component dimensions given in U.S. inches
1 inch = 25.4 mm



SPARK ARRESTER KIT

engine-tex_bs-2cyl_22

TRACTOR - MODEL NO. YTH22V42LS (96043008700), PRODUCT NO. 960 43 00-87 ENGINE

| KEY NO. | PART NO. | DESCRIPTION |
|---------|--------------|--|
| 1 | ----- | Engine Briggs Model No. 40H777-1421-B1 |
| 2 | 532 14 97-23 | Muffler |
| 9 | 532 19 43-20 | Keeper Belt Engine |
| 11 | 532 40 00-08 | Clutch Electric |
| 12 | 532 40 50-97 | Pulley Engine |
| 15 | 532 40 00-21 | Tank Fuel |
| 18 | 532 43 02-17 | Cap |
| 20 | 532 42 43-40 | Control Throttle |
| 21 | 532 41 63-58 | Screw #10 x .750 BOS Thread |
| 28 | 532 40 11-35 | Fuel Line |
| 29 | 532 13 71-80 | Spark Arrester Kit |
| 37 | 532 12 34-87 | Clamp Hose |
| 41 | 532 12 61-97 | Washer 1-1/2 OD x 15/32 ID x .250 |
| 42 | 810 04 07-00 | Washer Lock 7/16 |
| 45 | 873 51 04-00 | Nut Keps Hex 1/4-20 unc |
| 62 | 532 14 66-29 | Heat Shield |
| 69 | 532 16 53-91 | Gasket |
| 70 | 532 15 99-55 | Tube Exhaust |
| 71 | 532 16 05-89 | Exhaust Tube |
| 79 | 532 18 39-06 | Screw Socket HP 5/16-18 x 1 |
| 84 | 817 06 06-20 | Screw 3/8-16 x 1-1/4 |
| 85 | 532 17 39-37 | Bolt Hex 7/16-20 x 4 x Gr. 5-1.5 Thr |
| 87 | 537 17 18-77 | Bolt 5/16-18 unc x 3/4 w/Sems |
| 90 | 817 00 06-16 | Screw 3/8-16 x 1 |
| 91 | 532 18 74-95 | Bushing 1.375 OD |
| 116 | 532 42 46-59 | Knob Soft Touch |

NOTE: All component dimensions given in U.S. inches
1 inch = 25.4 mm

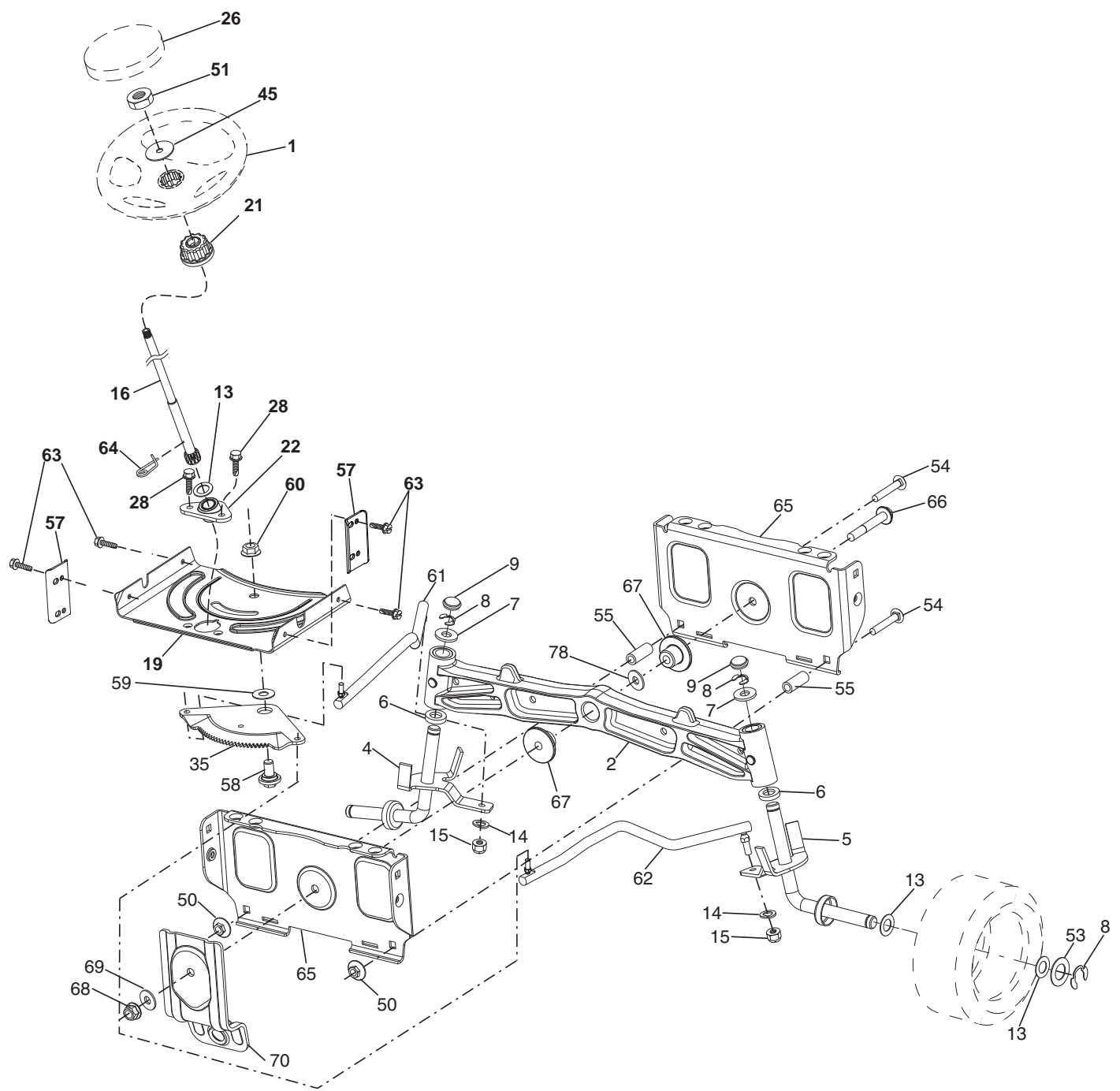
For engine service and replacement parts, call the toll free number for your engine manufacturer listed below:

Briggs & Stratton 1-800-233-3723

Engine Power Rating Information

The gross power rating for individual gas engine models is labeled in accordance with SAE (Society of Automotive Engineers) code J1940 (Small Engine Power & Torque Rating Procedure), and rating performance has been obtained and corrected in accordance with SAE J1995 (Revision 2002-05). Torque values are derived at 3060 RPM; horsepower values are derived at 3600 RPM. Actual gross engine power will be lower and is affected by, among other things, ambient operating conditions and engine-to-engine variability. Given both the wide array of products on which engines are placed and the variety of environmental issues applicable to operating the equipment, the gas engine will not develop the rated gross power when used in a given piece of power equipment (actual "on-site" or net power). This difference is due to a variety of factors including, but not limited to, accessories (air cleaner, exhaust, charging, cooling, carburetor, fuel pump, etc.), application limitations, ambient operating conditions (temperature, humidity, altitude), and engine-to-engine variability. Due to manufacturing and capacity limitations, Briggs & Stratton may substitute an engine of higher rated power for this Series engine.

TRACTOR - MODEL NO. YTH22V42LS (96043008700), PRODUCT NO. 960 43 00-87
STEERING ASSEMBLY



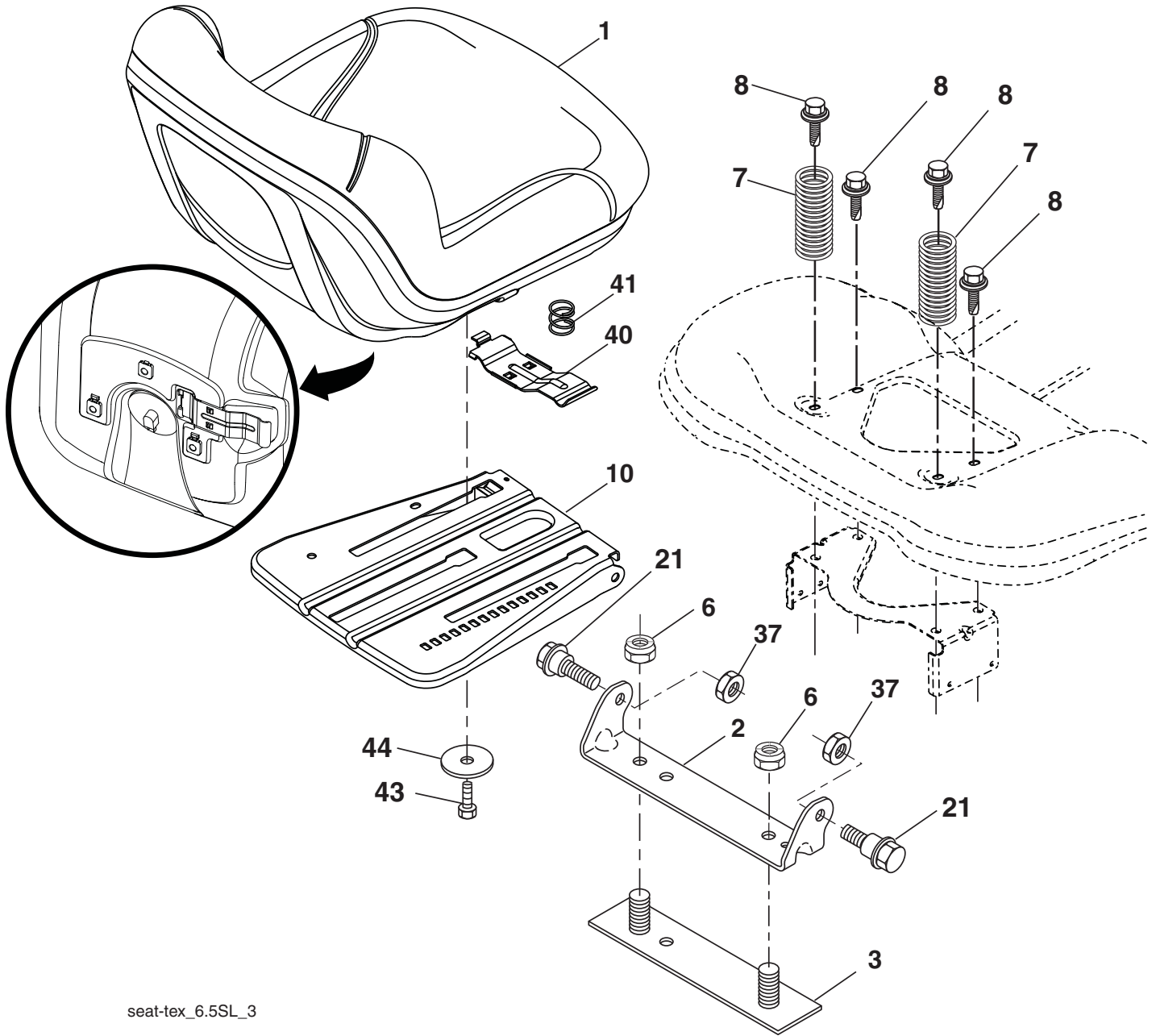
steering-tex_special_17_r1

**TRACTOR - MODEL NO. YTH22V42LS (96043008700), PRODUCT NO. 960 43 00-87
STEERING ASSEMBLY**

| KEY NO. | PART NO. | DESCRIPTION |
|----------------|-----------------|----------------------------------|
| 1 | 532 41 64-80 | Wheel, Steering |
| 2 | 532 19 59-68 | Axle Asm., Front |
| 4 | 532 40 30-87 | Spindle Asm., LH |
| 5 | 532 40 30-88 | Spindle Asm., RH |
| 6 | 532 12 49-31 | Bearing, Race Thrust Harden |
| 7 | 532 12 17-48 | Washer 25/32 x 1-5/8 x 16 Ga. |
| 8 | 812 00 00-29 | Ring, Clip #T5304-75 |
| 9 | 532 12 12-32 | Cap, Spindle |
| 13 | 532 12 17-49 | Washer 25/32 x 1-1/4 x 16 Ga. |
| 14 | 810 04 06-00 | Washer, Lock Hvy Hlcl Spr 3/8 |
| 15 | 873 54 06-00 | Nut, Crown Lock 3/8-24 unf |
| 16 | 532 40 82-19 | Shaft Steering |
| 19 | 532 19 47-29 | Plate Steering |
| 21 | 532 18 67-37 | Adapter, Wheel Steering |
| 22 | 532 42 05-37 | Steering Support Lower |
| 26 | 532 41 59-87 | Insert, Wheel Steering |
| 28 | 817 00 06-12 | Screw 3/8-16 x 3/4 |
| 35 | 532 19 47-32 | Gear, Sector Plate |
| 45 | 819 18 38-12 | Washer 9/16 ID x 2-3/8 OD 12 Ga. |
| 50 | 873 90 06-00 | Nut Lock Flg. 3/8-16 unc |
| 51 | 873 94 08-00 | Nut Hex Jam Toplock 1/2-20 unf |
| 53 | 532 18 89-67 | WasherHardened.793x1.637x.060 |
| 54 | 874 76 06-36 | Bolt Hex 3/8-16 unc x 2-1/4 |
| 55 | 532 41 47-36 | Spacer Brace Axle |
| 57 | 532 40 74-65 | Bracket Upstop |
| 58 | 532 19 47-47 | Bolt Shoulder Sector Pivot CFM |
| 59 | 532 19 47-48 | Washer Thrust Sector Steering |
| 60 | 873 97 10-00 | Nut Flange Lock 5/8-11 |
| 61 | 532 19 47-40 | Draglink, LH |
| 62 | 532 19 47-41 | Draglink, RH |
| 63 | 817 00 05-12 | Screw 5/16-18 x 3/4 |
| 64 | 532 19 98-49 | Retainer Clip Spring Steering |
| 65 | 532 19 47-34 | Brace Axle Front |
| 66 | 871 02 07-48 | Bolt Hex Fghd 7/16-14 x 3 Serr |
| 67 | 532 19 47-37 | Bushing PM Front Axle |
| 68 | 873 90 07-00 | Nut Lock Flange 7/16-14 Gr. 5 |
| 69 | 532 19 91-62 | Washer 1.5 x .505 x .118 |
| 70 | 532 19 61-97 | Bracket Deck Susp. Front |
| 78 | 532 05 70-79 | Washer Thrust |

NOTE: All component dimensions given in U.S. inches
1 inch = 25.4 mm

**TRACTOR - MODEL NO. YTH22V42LS (96043008700), PRODUCT NO. 960 43 00-87
SEAT ASSEMBLY**



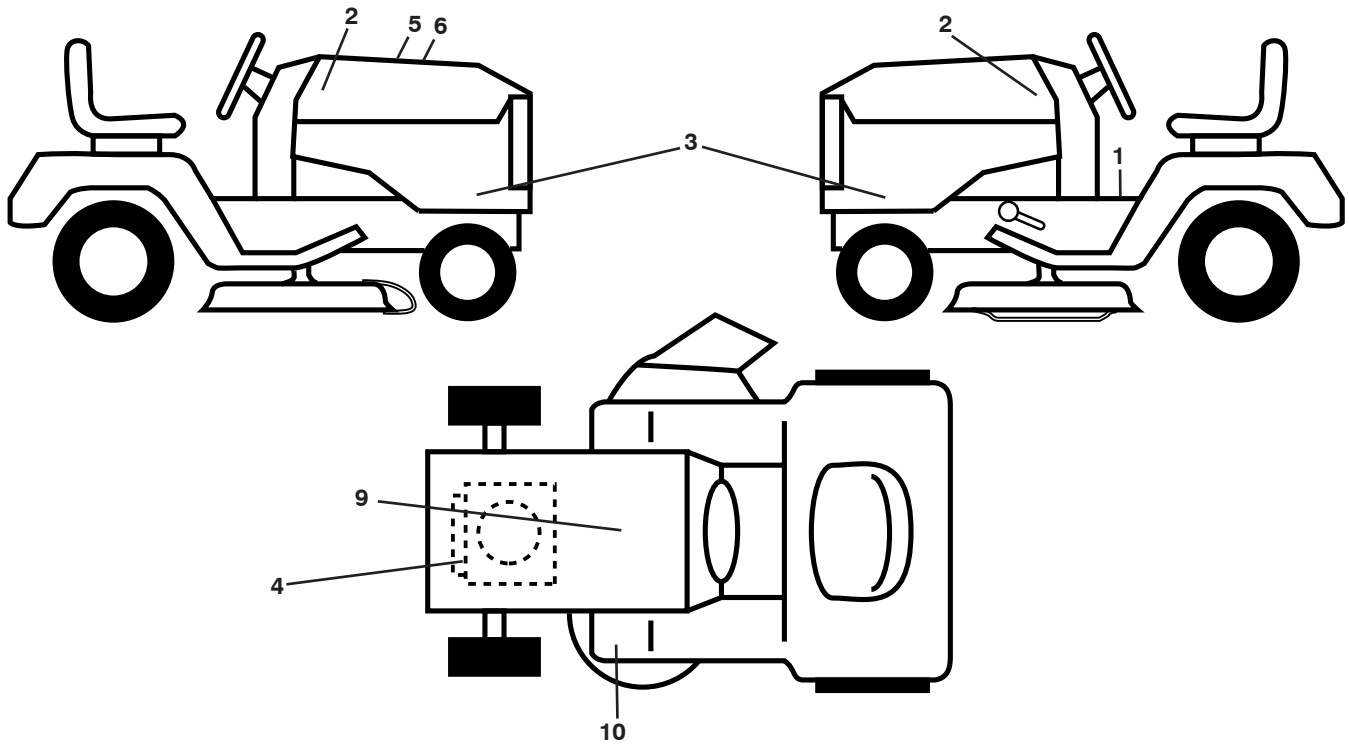
seat-tex_6.5SL_3

| KEY NO. | PART NO. | DESCRIPTION |
|---------|--------------|-------------------------------|
| 1 | 532 42 40-71 | Seat |
| 2 | 532 18 01-66 | Bracket Pivot Fender |
| 3 | 532 14 06-75 | Strap, Asm Fender |
| 6 | 873 80 06-00 | Nut, Lock w/Ins. 3/8-16 unc |
| 7 | 532 12 41-81 | Spring, Seat Cprsn |
| 8 | 532 17 18-77 | Bolt 5/16-18 unc x 3/4 w/Sems |
| 10 | 532 19 69-77 | Pan, Seat |
| 21 | 532 17 18-52 | Bolt, Shoulder 5/16-18 |

| KEY NO. | PART NO. | DESCRIPTION |
|---------|--------------|-------------------------------|
| 37 | 873 80 05-00 | Nut, Lock 5/16-18 unc |
| 40 | 532 42 59-19 | Handle Slide Seat |
| 41 | 532 19 82-00 | Spring Latch Seat |
| 43 | 874 76 06-12 | Bolt Fin Hex 3/8-16 unc x 3/4 |
| 44 | 819 13 38-12 | Washer 13/32 x 2-3/8 x 12 Ga. |

NOTE: All component dimensions given in U.S. inches
1 inch = 25.4 mm

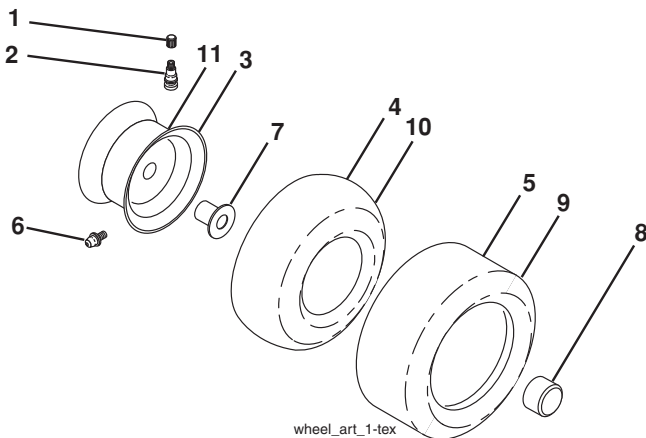
**TRACTOR - MODEL NO. YTH22V42LS (96043008700), PRODUCT NO. 960 43 00-87
DECALS**



| KEY NO. | PART NO. | DESCRIPTION |
|---------|--------------|--------------------------|
| 1 | 532 41 16-58 | Decal, Operators |
| 2 | 532 42 91-96 | Badge, Hood |
| 3 | 532 43 26-26 | Decal, Emblem Panel SD |
| 4 | 532 43 29-14 | Decal, Eng. |
| 5 | 532 42 38-29 | Decal, Customer Respons. |
| 6 | 532 43 25-72 | Decal, Replacement |
| 9 | 532 14 50-05 | Decal, Battery Dnge/Poi |

| KEY NO. | PART NO. | DESCRIPTION |
|---------|--------------|-------------------|
| 10 | 532 41 86-00 | Decal, Pedal |
| -- | 532 16 69-60 | Decal, Bypass |
| -- | 532 41 08-05 | Pad, Footrest, LH |
| -- | 532 41 08-06 | Pad, Footrest, RH |

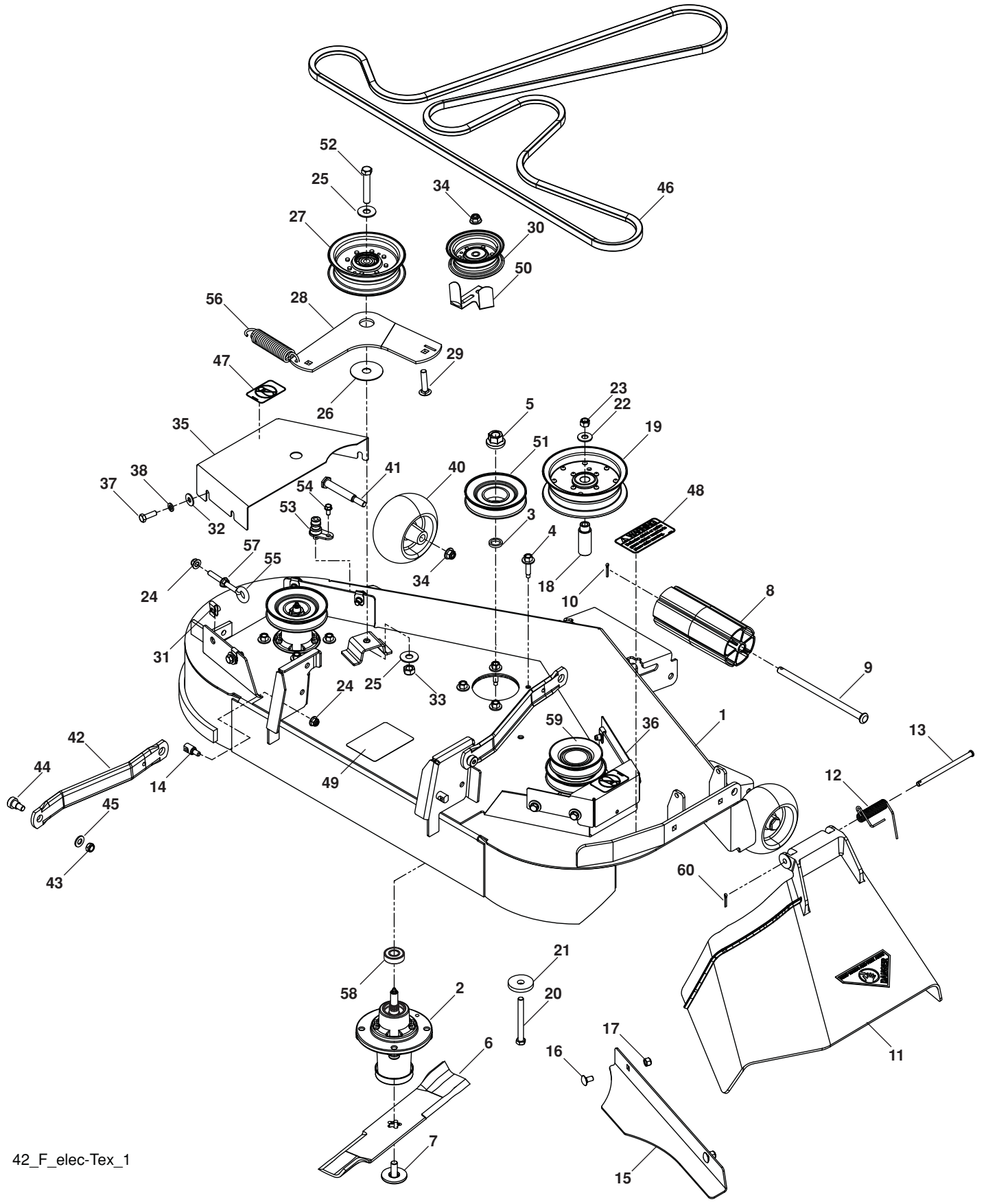
WHEELS AND TIRES



| KEY NO. | PART NO. | DESCRIPTION |
|---------|--------------|-----------------------------------|
| 1 | 532 05 91-92 | Cap Valve Tire |
| 2 | 532 06 51-39 | Stem Valve |
| 3 | 532 13 83-36 | Rim Front Service |
| 4 | 532 05 99-04 | Tube Front (Service Item Only) |
| 5 | 532 17 04-55 | Tire Front 15 x 6.0-6 Service |
| 6 | 532 12 49-57 | Fitting Grease (Front Wheel Only) |
| 7 | 532 12 49-59 | Bearing Flange (Front Wheel Only) |
| 8 | 532 17 50-39 | Cap Axle Blk 1 50 x 1 00 |
| 9 | 532 17 04-56 | Tire R T 20 x 10-8 Service |
| 10 | 532 12 49-26 | Tube Rear (Service Item Only) |
| 11 | 532 13 83-37 | Rim Asm 8" Rear Service |
| -- | 532 14 43-34 | Sealant, Tire (10 oz. Tube) |

NOTE: All component dimensions given in U.S. inches
1 inch = 25.4 mm

TRACTOR - MODEL NO. YTH22V42LS (96043008700), PRODUCT NO. 960 43 00-87
MOWER DECK



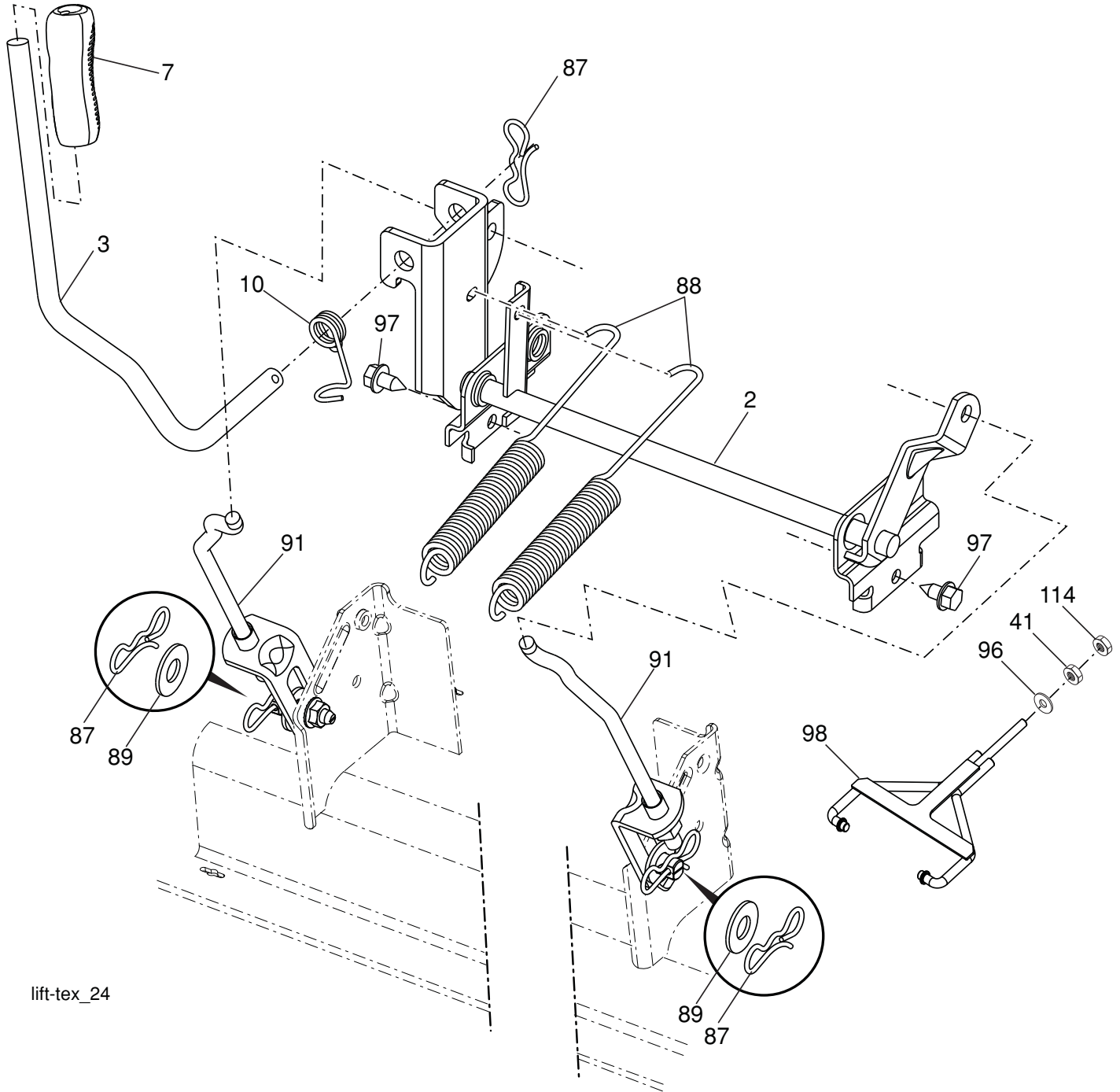
42_F_elec-TEX_1

**TRACTOR - MODEL NO. YTH22V42LS (96043008700), PRODUCT NO. 960 43 00-87
MOWER DECK**

| KEY NO. | PART NO. | DESCRIPTION | KEY NO. | PART NO. | DESCRIPTION |
|----------------|-----------------|-------------------------------|----------------|-----------------|---------------------------|
| 1 | 575 43 80-01 | Deck w/Decals 42" | 33 | 539 11 91-24 | Nut, 7/16-14 Hex Nyloc |
| 2 | 539 11 21-70 | Housing Assembly | 34 | 521 99 65-01 | Nut 3/8-16 Hex Flg Nyloc |
| 3 | 539 10 75-20 | Washer-Spacer | 35 | 575 22 47-02 | Shield, Belt LH |
| 4 | 539 10 76-30 | Screw, Washer Head | 36 | 575 50 03-02 | Shield, Belt RH |
| 5 | 539 10 75-90 | Nut, 9/16 Top Center Lock | 37 | 539 99 02-09 | Hcs 5/16-18 x 1 Gr. 5 |
| 6 | 539 11 20-78 | Blade, 14-5/8" | 38 | 539 99 01-87 | Wash 5/16 Slw |
| 7 | 539 10 75-22 | Bolt, 7/16, Assy Blade | 40 | 539 10 76-10 | Wheel, Gauge |
| 8 | 532 17 60-66 | Roller, Nose | 41 | 539 10 76-08 | Bolt, Shoulder |
| 9 | 532 17 91-27 | Rod, Roller, Nose | 42 | 532 19 51-85 | Arm, Susp., Rear |
| 10 | 539 17 80-62 | Clip Retainer | 43 | 539 20 02-82 | Nut, 3/8-16 Hex Jam Nyloc |
| 11 | 532 11 07-31 | Discharge Chute - 42" Plastic | 44 | 539 11 36-21 | Sb 3/8-16 x 3/8 Skt Hd |
| 12 | 532 11 07-35 | Spring - Torsion | 45 | 539 99 01-22 | Washer, 3/8 Sae Flt |
| 13 | 532 11 07-36 | Pin, Clevis 5/16 x 5.19 | 46 | 574 84 56-01 | Belt, 42" Fab Deck |
| 14 | 532 19 51-61 | Stud, Fasten w/ Anti- Rotate | 47 | 539 10 57-43 | Decal, No Step |
| 15 | 539 11 24-13 | Confinement Plate | 48 | 539 11 32-24 | Decal, Warning |
| 16 | 539 99 07-99 | Rhsnb 5/16-18 x 5/8 Gr. 5 | 49 | 532 19 87-85 | Decal, Deck Sch |
| 17 | 539 99 07-17 | Nut 5/16-18 Hex Nyloc | 50 | 575 22 43-01 | Guard, Belt |
| 18 | 575 22 45-01 | Idler Bushing | 51 | 575 22 44-01 | Pulley, Mandrel |
| 19 | 539 13 27-28 | Pulley, Idler | 52 | 539 10 48-70 | Hcs 7/16-14 x 2-1/2 Gr. 5 |
| 20 | 539 10 82-71 | Hcs 3/8-16 x 3-1/2 Gr. 5 | 53 | 532 41 55-98 | Washout Port |
| 21 | 539 10 65-04 | Heavy Washer | 54 | 539 10 84-61 | Bolt, 1/4-20 x 1/2 |
| 22 | 539 99 05-17 | Washer, 3/8 Flat Std | 55 | 539 11 55-74 | Eyebolt 5/16 x 3-1/2 |
| 23 | 539 97 69-79 | Nut 3/8-16 Hex Nyloc | 56 | 539 10 68-50 | Spring |
| 24 | 539 11 28-99 | Nut 5/16-18 Hex Flange Nyloc | 57 | 539 99 05-85 | Nut 5/16-18 Hex Whizlk |
| 25 | 539 10 48-64 | Washer, 7/16 Flat | 58 | 539 11 20-50 | Ball Bearing |
| 26 | 532 17 85-15 | Washer, Flat Hardened | 59 | 575 41 62-01 | Pulley |
| 27 | 532 19 61-04 | Pulley, Idler Spec. Hub | 60 | 532 16 94-84 | Retainer Clip |
| 28 | 574 82 71-02 | Arm, Idler, Blk | -- | 532 43 26-53 | Mower Deck Complete |
| 29 | 539 99 09-23 | Rhsnb 3/8-16 x 1-3/4 Gr. 5 | | | |
| 30 | 532 17 79-68 | Pulley, Idler | | | |
| 31 | 539 10 47-63 | Retainer 5/16c U Type | | | |
| 32 | 539 99 06-92 | Washer, 5/16 Std Flt | | | |

NOTE: All component dimensions given in U.S. inches
1 inch = 25.4 mm

**TRACTOR - MODEL NO. YTH22V42LS (96043008700), PRODUCT NO. 960 43 00-87
MOWER LIFT**



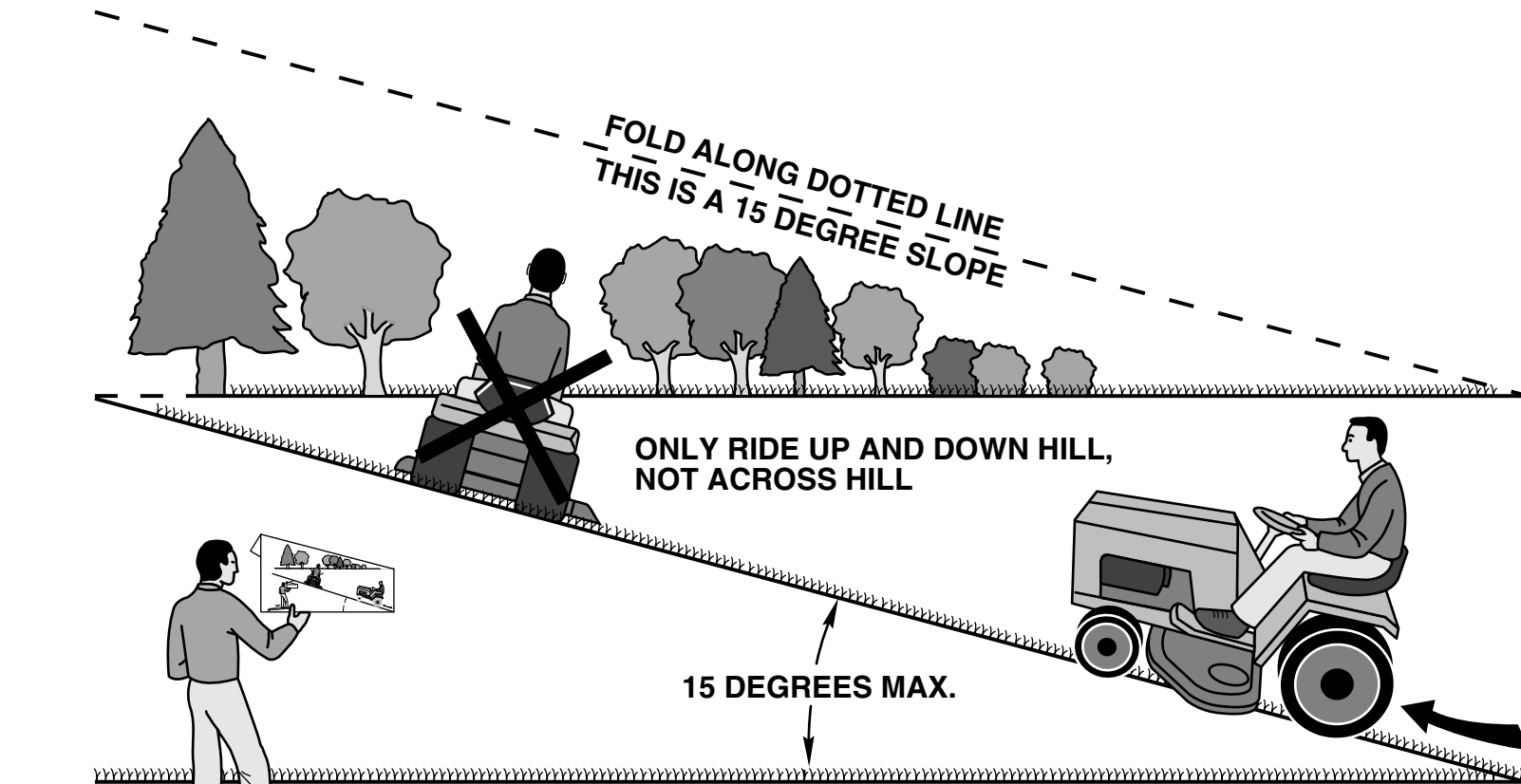
lift-tex_24

| KEY PART NO. | NO. | DESCRIPTION |
|--------------|--------------|------------------------------|
| 2 | 532 42 20-27 | Shaft Asm., Lift |
| 3 | 532 19 52-31 | Lever Asm., Lift RH |
| 7 | 532 41 15-55 | Grip, Lever |
| 10 | 532 19 63-14 | Spring Torsion |
| 41 | 532 17 59-94 | Nut, Lift Link |
| 87 | 532 19 42-09 | Pin Cotter 7/16 Bow Tie Lock |
| 88 | 532 41 07-10 | Spring Lift Assist |
| 89 | 819 19 19-12 | Washer Clear Zinc |

| KEY PART NO. | NO. | DESCRIPTION |
|--------------|--------------|-----------------------------|
| 91 | 532 19 51-81 | Link Lift Susp Mower Rear |
| 96 | 532 19 52-63 | Bushing, Spherical |
| 97 | 817 00 06-12 | Screw 3/8-16 x .75 |
| 98 | 574 82 25-01 | Link Lift Susp. Front Mower |
| 114 | 873 36 07-00 | Nut Jam 7/16-20 |

NOTE: All component dimensions given in U.S. inches
1 inch = 25.4 mm

SUGGESTED GUIDE FOR SIGHTING SLOPES FOR SAFE OPERATION



WARNING: To avoid serious injury, operate your tractor up and down the face of slopes, never across the face. Do not mow slopes greater than 15 degrees. Make turns gradually to prevent tipping or loss of control. Exercise extreme caution when changing direction on slopes.

1. Fold this page along dotted line indicated above.
2. Hold page before you so that its left edge is vertically parallel to a tree trunk or other upright structure.
3. Sight across the fold in the direction of hill slope you want to measure.
4. Compare the angle of the fold with the slope of the hill.

