

532 44 82-42 Rev. 1



Repair Parts Manual IPL Manual

YTH22V42/250190

Please read the operator's manual carefully and make sure you understand the instructions before using the machine.

Por favor lea cuidadosamente y comprenda estas instrucciones antes de usar esta maquina.



English

HOW TO USE THIS MANUAL

This manual is designed to provide the customer with a means to identify the parts on his/her tractor when ordering repair parts. The illustrations may or may not represent the actual assemblies; therefore, it is not recommended to use this manual as a guide to assemble or disassemble the tractor. Some hardware and parts are drawn larger in order to more readily identify them.

Each tractor has its own model number.

The model number for your tractor can be found on the fender under the seat.

When ordering parts, always give the following information:

- Product - "TRACTOR"
- MODEL NUMBER - "YTH22V42" (250190)"
- Part Number
- Part Description

TABLE OF CONTENTS

SCHEMATIC	3
ELECTRICAL.....	4-5
CHASSIS	6-7
DRIVE.....	8-9
ENGINE.....	10-11
STEERING	12-13
MOWER DECK.....	14-15
MOWER LIFT.....	16
SEAT	17
DECALS.....	18
TRANSAXLE.....	20-21
ENGINE BREAKDOWN.....	22-26

COMO UTILIZAR ESTE MANUAL

Este manual está diseñado para brindarle al comprador un medio para identificar las piezas del tractor para cuando necesite hacer el pedido de un repuesto. Las ilustraciones pueden o no representar los ensambles reales; por lo tanto, no se recomienda utilizar este manual como una guía para ensamblar o desarmar el tractor. Algunos accesorios y piezas están dibujados en tamaños más grandes para identificarlos con mayor facilidad.

Cada tractor tiene su propio número de modelo.

El número de modelo del tractor se encuentra en el guardabarros debajo del asiento.

Cuando haga el pedido de una pieza, siempre brinde la siguiente información:

- Producto: "TRACTOR"
- NÚMERO DE MODELO: "YTH22V42" (250190)"
- Número de pieza
- Descripción de la pieza

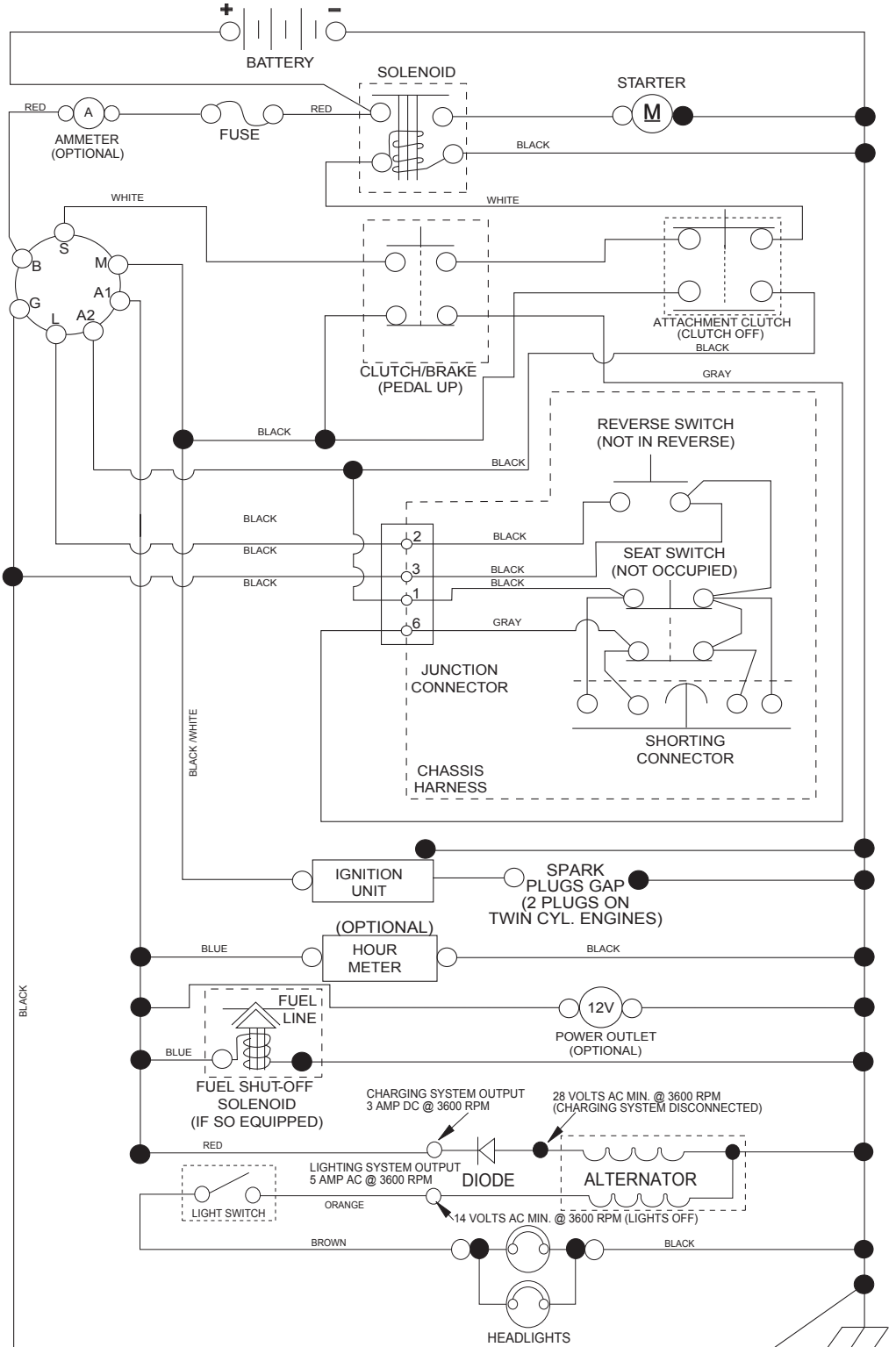
ÍNDICE

DIAGRAMA.....	27
DIAGRAMA ELÉCTRICO	28-29
CHASIS.....	30-31
TRANSMISIÓN	32-33
MOTOR	34-35
DIRECCIÓN	36-37
PLATAFORMA DE LA CORTADORA DE CÉSPED.....	38-39
ELEVACIÓN DE LA CORTADORA DE CÉSPED.....	40
ASIENTO.....	41
CALCOMANÍAS.....	42
TRANSEJE DESCOMPOSTURA.....	43-44
MOTOR DESCOMPOSTURA.....	45-50

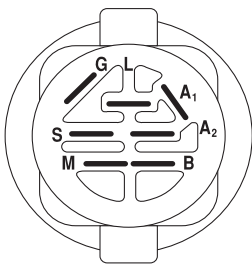
TRACTOR -- MODEL NO. YTH22V42 (250190)

SCHEMATIC

SCH11

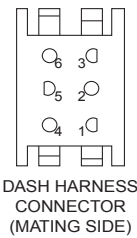
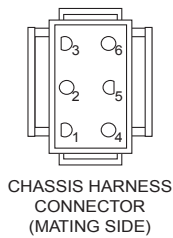


NOTE
YOUR TRACTOR IS EQUIPPED WITH A SPECIAL ALTERNATOR SYSTEM. THE LIGHTS ARE NOT CONNECTED TO THE BATTERY, BUT HAVE THEIR OWN ELECTRICAL SOURCE. BECAUSE OF THIS, THE BRIGHTNESS OF THE LIGHTS WILL CHANGE WITH ENGINE SPEED. AT IDLE THE LIGHTS WILL DIM. AS THE ENGINE IS SPEEDED UP, THE LIGHTS WILL BECOME THEIR BRIGHTEST.

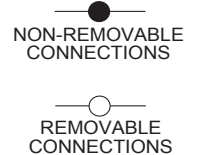


IGNITION SWITCH

POSITION	CIRCUIT	"MAKE"
OFF	M+G+A1	
RUN/OVERRIDE	B+A1	
RUN	B+A1	L+A2
START	B + S + A1	



WIRING INSULATED CLIPS
NOTE: IF WIRING INSULATED CLIPS WERE REMOVED FOR SERVICING OF UNIT, THEY SHOULD BE RE-INSTALLED TO PROPERLY SECURE YOUR WIRING.

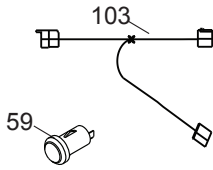


TRACTOR -- MODEL NO. YTH22V42 (250190)

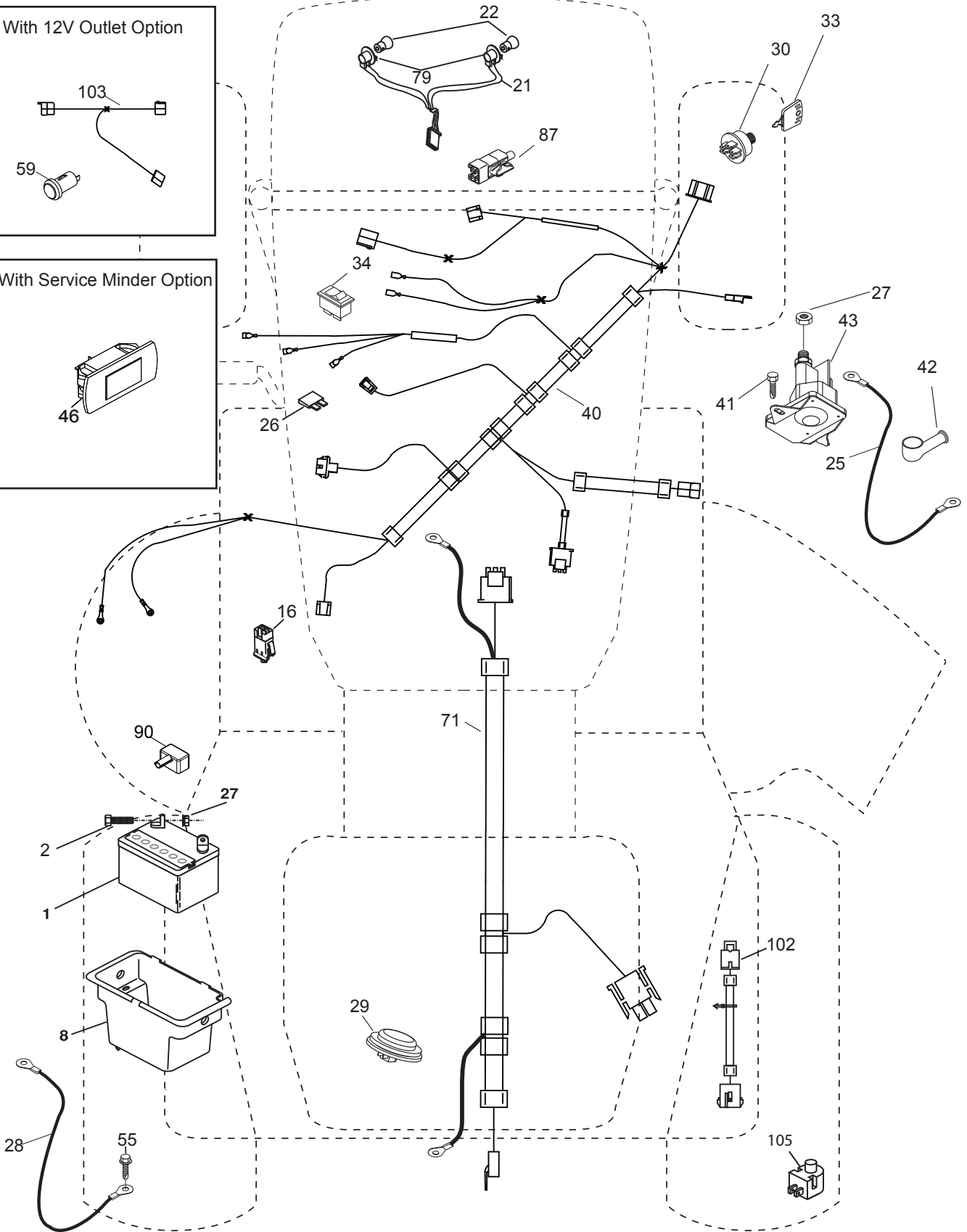
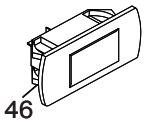
ELECTRICAL

T06S

With 12V Outlet Option



With Service Minder Option



TRACTOR - - MODEL NO. YTH22V42 (250190)

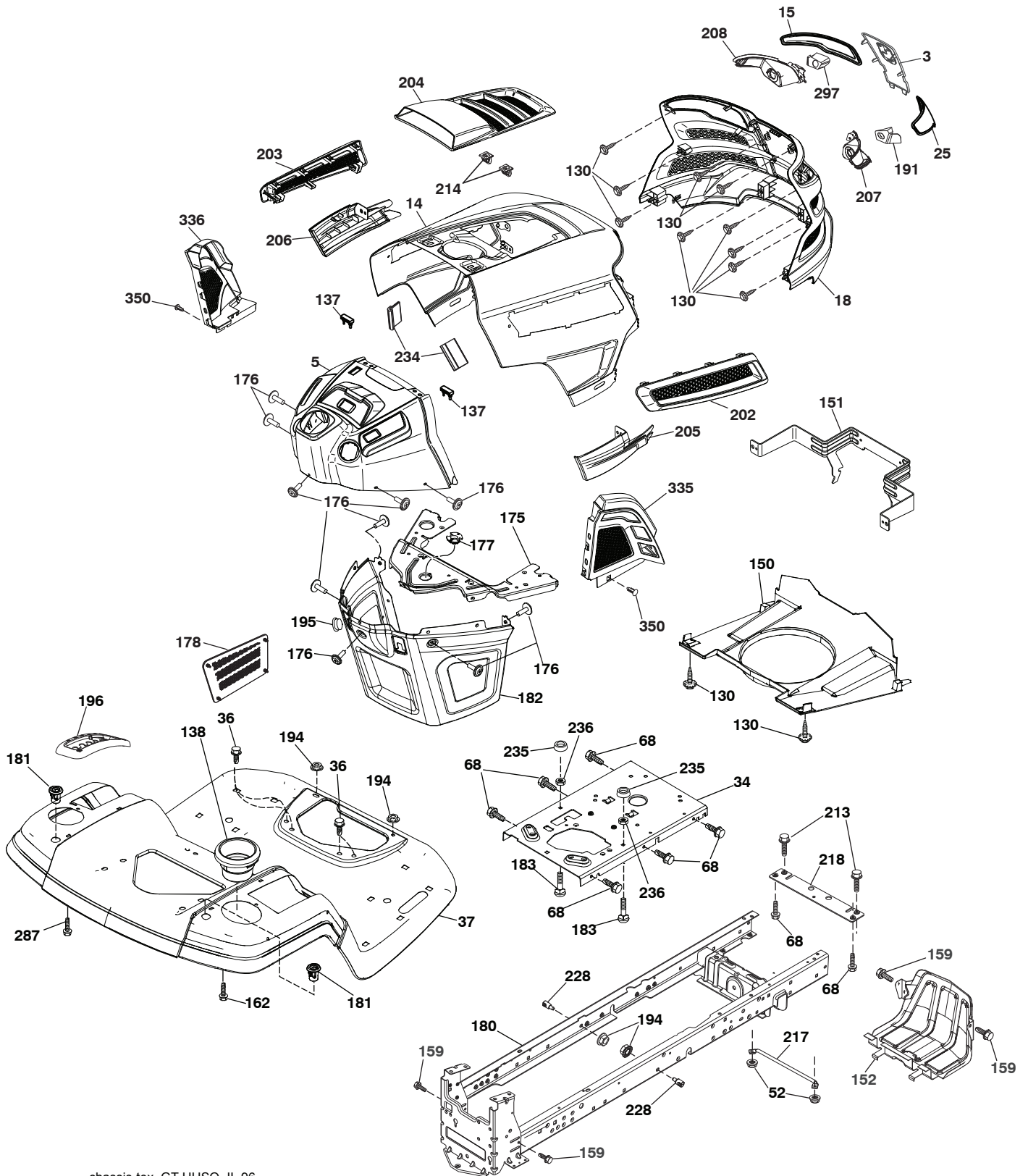
ELECTRICAL

KEY NO.	PART NO.	DESCRIPTION
1	532 16 34-65	Battery
2	874 76 04-12	Bolt Hex Head 1/4-20 x 3/4
8	532 19 32-28	Box Battery
16	532 17 61-38	Switch Interlock Push-In
21	532 40 02-52	Harness Socket Light w/4152J
22	532 00 41-52	Bulb Light
25	532 41 28-95	Cable Starter
26	532 17 51-58	Fuse
27	873 51 04-00	Nut Keps Hex 1/4-20 unc
28	532 19 88-85	Cable, Ground
29	532 40 15-45	Switch, Seat
30	532 19 33-50	Switch, Ign
33	532 41 19-33	Key/Chain
34	532 11 07-12	Switch Light/Reset
40	532 40 10-98	Harness Ign. Dash/Lift
41	817 72 04-08	Screw Thd Cut 1/4-20 x 1/2
42	532 13 15-63	Cover, Terminal
43	532 19 25-07	Solenoid
46	532 40 17-63	Gauge Serviceminder Hrmtr
55	817 06 05-12	Screw Thdrol 5/16-18 x 3/4 TYTT
71	532 40 04-49	Harness Ign. Chassis/Lift
79	532 17 52-42	Socket Asm. Bulb
87	532 19 78-02	Switch Interlock
90	532 43 53-95	Cover Terminal
102	532 40 44-54	Harness Pigtail Tuff Torq.
105	532 40 75-68	Switch Reverse

NOTE: All component dimensions given in U.S. inches
1 inch = 25.4 mm

TRACTOR -- MODEL NO. YTH22V42 (250190)

CHASSIS AND ENCLOSURES



chassis-tex_GT HUSQ_II_96

TRACTOR - - MODEL NO. YTH22V42 (250190)

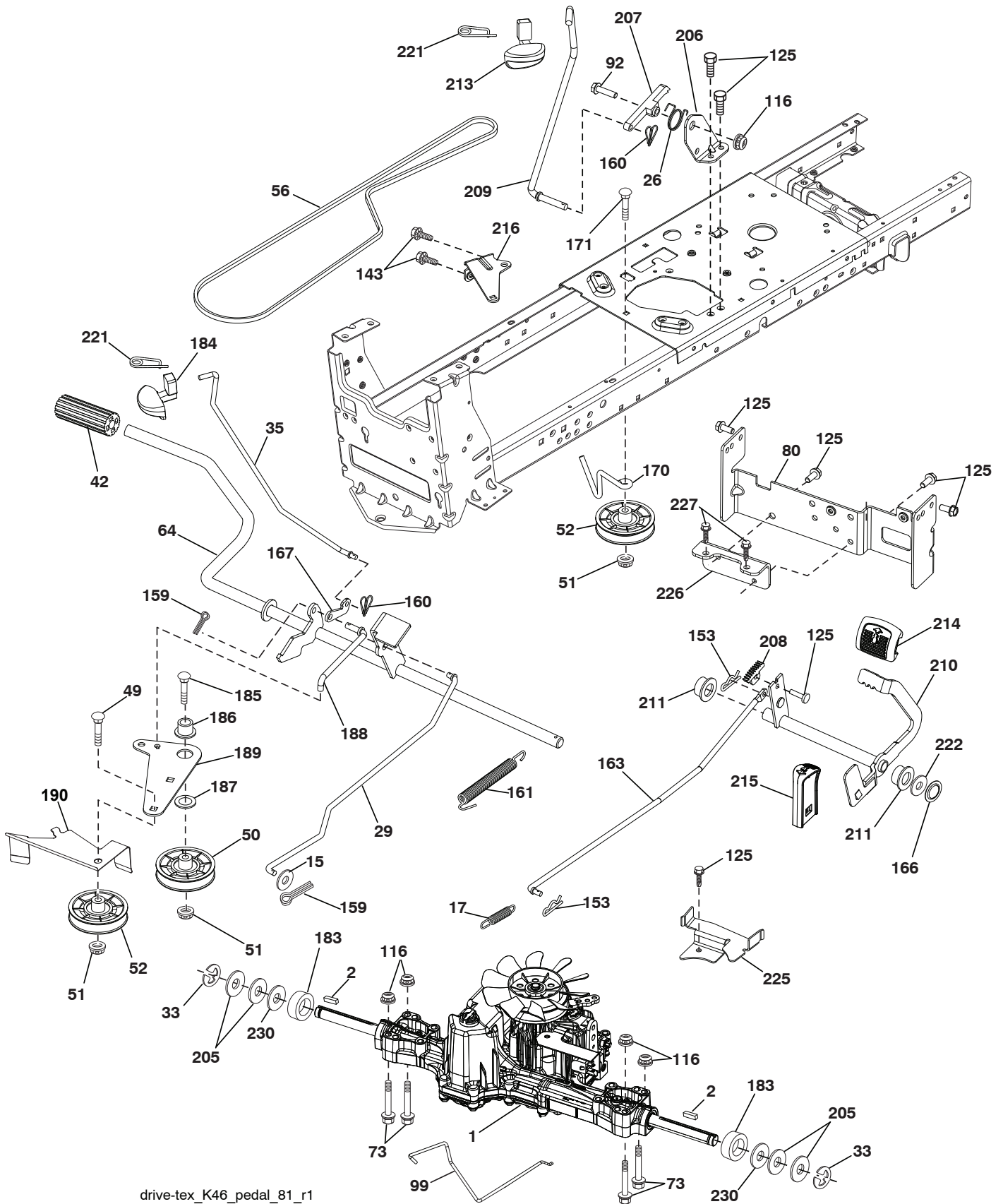
CHASSIS AND ENCLOSURES

KEY NO.	PART NO.	DESCRIPTION	KEY NO.	PART NO.	DESCRIPTION
3	532 44 44-81	Logo	195	532 40 41-37	Plug Hole Dash
5	532 43 74-73	Dash	196	532 43 96-47	Console Asm. Deck Lift
14	532 44 11-77	Hood	202	532 43 97-28	Vent Side Hood RH
15	532 43 97-33	Lens LH	203	532 43 97-27	Vent Side Hood LH
18	532 44 06-53	Grille Asm. (includes key #'s 3, 15, 25, 130, 191, 207, 208, 297)	204	532 43 57-14	Vent Top Hood
25	532 44 33-85	Lens RH	205	532 43 97-30	Skirt Side RH
34	532 44 72-53	Plate Engine	206	532 43 97-29	Skirt Side LH
36	817 06 05-12	Screw 5/16-18 x 3/4	207	532 43 97-34	Bezel RH
37	532 44 12-06	Fender	208	532 43 97-35	Bezel LH
52	873 68 05-00	Nut Crown Lock 5/16	213	874 76 05-12	Bolt 5/16-18 x 3/4
68	817 49 05-08	Screw Thdrol. 5/16-18 x 1/2	214	532 19 91-45	Clip Retainer
130	532 41 63-58	Screw #10 x 0.750	217	532 40 91-67	Rod Pivot Hood
137	532 40 75-90	Bumper Dash	218	532 19 63-95	X-Piece Hood Stop
138	532 43 97-47	Cupholder	228	532 19 51-61	Stud Fastener
150	532 43 97-74	Air Duct	234	532 40 47-42	Bumper Hood
151	532 43 66-70	Bracket Pivot	235	532 40 61-29	Spacer Fender
152	532 43 98-70	Shield Browning	236	873 93 05-00	Nut Lock 5/16-18 unc
159	817 00 06-12	Screw hexwsh Thdr 3/8-16 x 3/4	287	817 60 04-06	Screw Hex WASHEAD 1/4-20 x 3/8
162	532 14 24-32	Screw	297	532 43 74-56	Insert Reflective LH
175	532 19 63-04	Crossmember	335	532 44 82-04	Cover RH Lower Close Out
176	532 40 07-76	Screw 10-24 x 5/8	336	532 44 53-09	Cover Lower Dash LH
177	532 19 52-27	Bushing Steering	350	532 44 51-43	Clip X-mas Tree
178	532 19 97-82	Cargo Asm. Net			
180	532 19 54-57	Chassis			
181	532 43 97-46	Bushing			
182	532 40 68-59	Dash Lower			
183	874 52 05-20	Bolt 5/16-18 unc x 1-1/4			
191	532 43 74-55	Insert Reflective RH			
194	873 90 05-00	Nut Lock Hex Flange 5/16-18			

NOTE: All component dimensions given in U.S. inches
1 inch = 25.4 mm

TRACTOR -- MODEL NO. YTH22V42 (250190)

DRIVE



drive-tex_K46_pedal_81_r1

TRACTOR - - MODEL NO. YTH22V42 (250190)

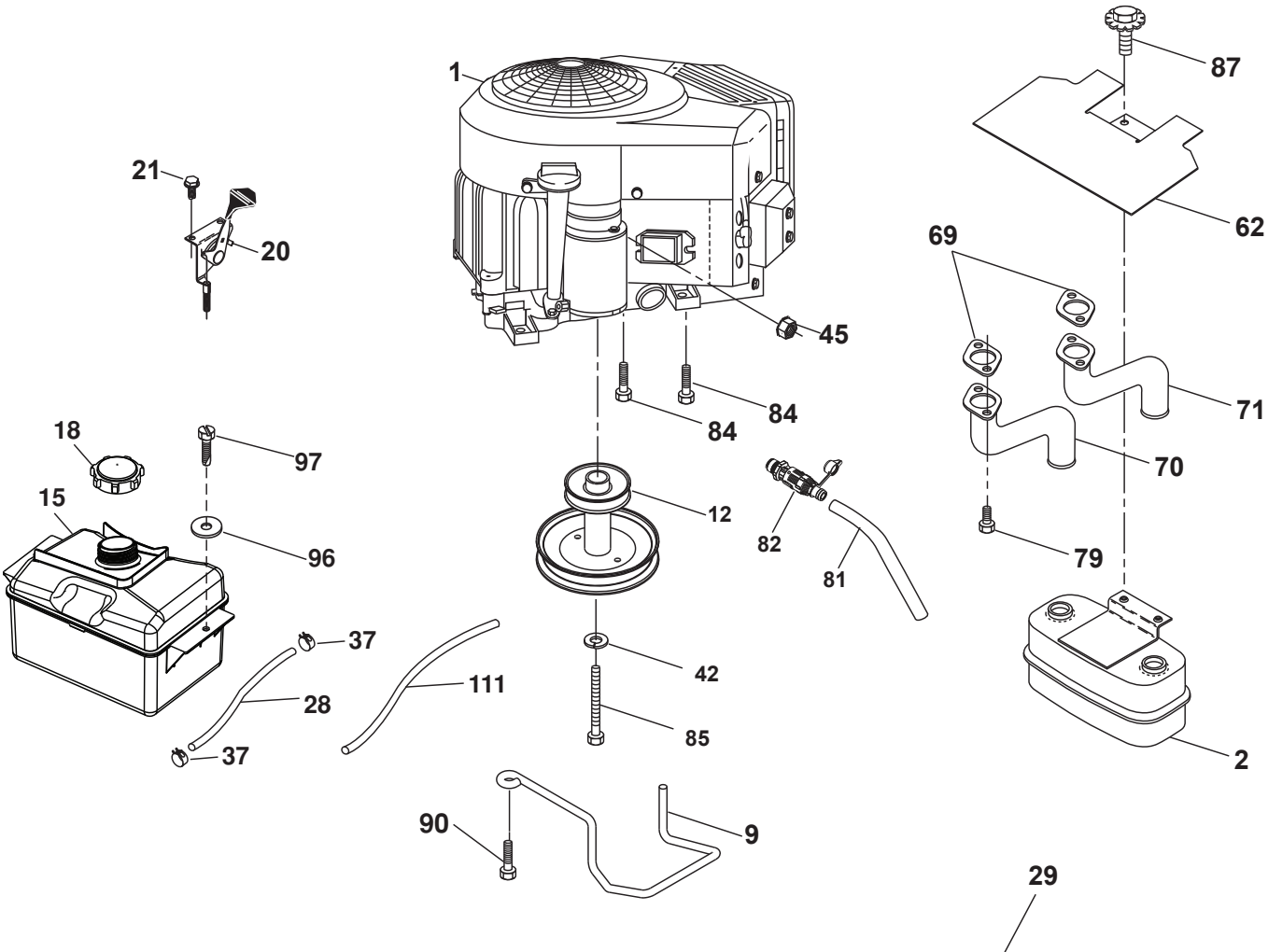
DRIVE

KEY NO.	PART NO.	DESCRIPTION	KEY NO.	PART NO.	DESCRIPTION
1	- - - - -	Transaxle, TUFFTORQ K46 BT (426120) (Order parts from transaxle manufacturer.)	170	532 19 43-22	Keeper Belt Centerspan
2	532 12 35-83	Key	171	872 11 06-16	Bolt Rdhd. Sqnk. 3/8-16 unc x 2
15	819 13 13-16	Washer 13/32 x 13/16 x 16 Ga.	183	532 13 70-57	Spacer Split
17	532 41 36-78	Spring Brake	184	532 44 14-55	Handle Parking Brake
26	532 19 96-79	Spring Return Cruise	185	872 11 06-22	Bolt Rdhd. Sqnk. 3/8-16 x 2-3/4 Gr. 5
29	532 40 38-06	Rod, Brake	186	532 19 43-21	Spacer Retainer
33	812 00 00-01	Ring E	187	819 13 32-10	Washer
35	532 43 54-86	Rod Brake Park	188	532 19 43-23	Link Clutch Ground Drive
42	532 12 48-72	Cover Foot Pedal	189	532 19 43-17	Bellcrank Ground Drive
49	872 11 06-14	Bolt	190	532 19 43-18	Keeper Bellcrank Ground Drive
50	532 19 43-27	Pulley Idler Flat	205	532 12 17-48	Washer
51	873 90 06-00	Lock Nut 3/8-16	206	532 19 78-67	Bracket Mount Latch Cruise
52	532 19 43-26	Idler V-Groove	207	532 19 78-68	Latch Control Cruise
56	532 13 09-69	V-Belt Drive	208	532 19 78-69	Gear Sector Control Cruise
64	532 19 78-65	Shaft Asm. Pedal Brake Control	209	532 19 95-92	Rod Control Drive
73	874 49 05-40	Bolt 5/16-18 x 2-1/2 Gr. 5	210	532 40 09-80	Rocker Asm Pedel Control
80	532 44 06-19	Strap Torque	211	532 12 01-83	Bearing Nylon
92	874 76 05-20	Bolt Hex 5/16-18 x 1.25	213	532 40 31-19	Knob Control Cruise
99	532 41 57-42	Rod Asm. Bypass	214	532 42 12-63	Pedal Forward Pad
116	873 90 05-00	Nut Lock Hex Flange 5/16-18	215	532 40 17-23	Pedal Reverse
125	817 00 05-12	Screw 5/16-18 x 3/4	216	532 19 61-31	Bracket Pulley Idler
143	817 49 05-08	Screw 5/16-18 x 1/2	221	532 40 31-87	Retainer Spring Clip Handle
153	532 12 47-88	Retainer Spring	222	879 21 20-10	Washer 21/32 x 1-1/4 10 Ga.
159	876 02 04-12	Pin Cotter 1/8 x 3/4	225	532 40 33-19	Keeper Belt Trans.
160	532 16 94-84	Retainer Clip	226	532 40 15-64	Bracket Mount Torque
161	532 10 57-09	Spring Return Clutch	227	817 49 05-12	Screw 5/16-18 x 3/4
163	532 40 10-34	Rod Control Pedal	230	532 18 89-67	Washer Hardened
166	532 42 91-64	Nut Push			
167	532 40 52-57	Latch Brake Parking			

NOTE: All component dimensions given in U.S. inches
1 inch = 25.4 mm

TRACTOR - - MODEL NO. YTH22V42 (250190)

ENGINE



engine-tex_bs-2cyl_71

SPARK ARRESTER KIT

TRACTOR - - MODEL NO. YTH22V42 (250190)

ENGINE

KEY NO.	PART NO.	DESCRIPTION
1	— — — — —	Engine Briggs Model No. 407777-2195-G5(438216) (Order parts from engine manufacturer.)
2	532 44 59-62	Muffler
9	532 19 43-20	Keeper Belt Engine
12	532 40 54-71	Pulley Engine
15	532 43 30-07	Tank Fuel
18	532 43 85-96	Cap Asm
20	532 42 35-02	Control Throttle/Choke
21	532 41 63-58	Screw #10 x 0.750 BOS Thread
28	532 40 11-37	Fuel Line
29	532 13 71-80	Spark Arrester Kit
37	532 12 34-87	Clamp Hose
42	810 04 07-00	Washer Lock 7/16
45	873 51 04-00	Nut Keps Hex 1/4-20 unc
62	532 43 40-17	Shield Heat
69	532 16 53-91	Gasket
70	532 15 99-55	Exhaust Tube LH
71	532 16 05-89	Exhaust Tube RH
79	532 18 39-06	Screw 5/16-18 x 1
81	532 14 84-56	Tube Drain Oil Easy
82	532 42 82-87	Valve Drain Oil
84	817 06 06-20	Screw 3/8-16 x 1/4
85	532 17 39-37	Bolt Hex 7/16-20 x 4 Gr. 5
87	532 17 18-77	Bolt 5/16-18 unc x 3/4 w/sems
90	817 00 06-16	Screw 3/8-16 x 1
96	819 09 14-16	Washer 9/32 x 7/8 x 16 Ga.
97	817 67 04-12	Screw 1/4-20 x 3/4
111	532 41 41-19	Purge Line Carb 3/16

NOTE: All component dimensions given in U.S. inches
1 inch = 25.4 mm

For engine service and replacement parts, call the toll free number for your engine manufacturer listed below:

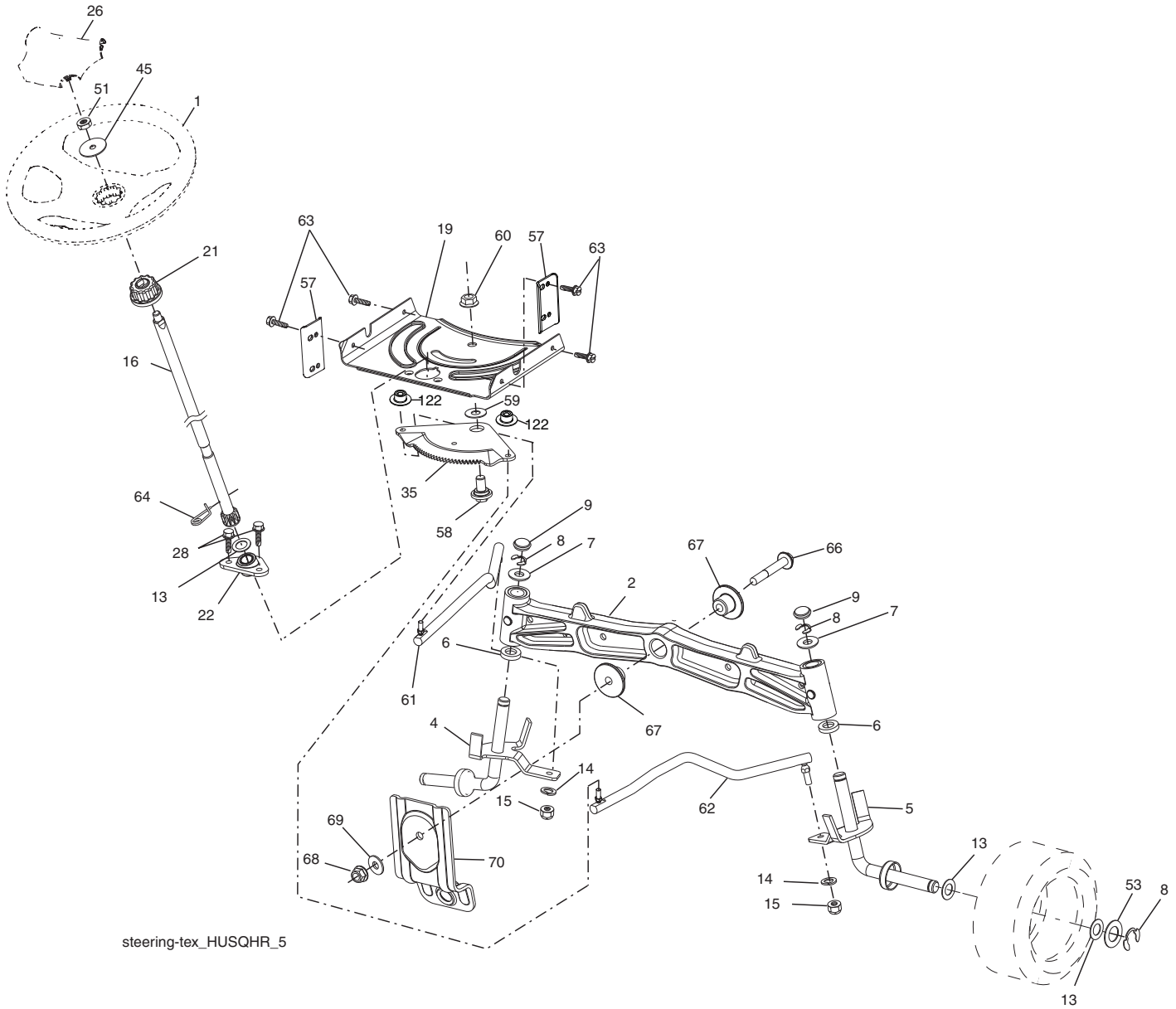
Briggs & Stratton 1-800-233-3723

Engine Power Rating Information

The gross power rating for individual gas engine models is labeled in accordance with SAE (Society of Automotive Engineers) code J1940 (Small Engine Power & Torque Rating Procedure), and rating performance has been obtained and corrected in accordance with SAE J1995 (Revision 2002-05). Torque values are derived at 3060 RPM; horsepower values are derived at 3600 RPM. Actual gross engine power will be lower and is affected by, among other things, ambient operating conditions and engine-to-engine variability. Given both the wide array of products on which engines are placed and the variety of environmental issues applicable to operating the equipment, the gas engine will not develop the rated gross power when used in a given piece of power equipment (actual "on-site" or net power). This difference is due to a variety of factors including, but not limited to, accessories (air cleaner, exhaust, charging, cooling, carburetor, fuel pump, etc.), application limitations, ambient operating conditions (temperature, humidity, altitude), and engine-to-engine variability. Due to manufacturing and capacity limitations, Briggs & Stratton may substitute an engine of higher rated power for this Series engine.

TRACTOR -- MODEL NO. YTH22V42 (250190)

STEERING ASSEMBLY



steering-tex_HUSQHR_5

TRACTOR - - MODEL NO. YTH22V42 (250190)
STEERING ASSEMBLY

KEY NO.	PART NO.	DESCRIPTION
1	532 43 97-40	Wheel, Steering
2	532 19 59-68	Axle
4	532 40 30-87	Spindle Asm., LH
5	532 40 30-88	Spindle Asm., RH
6	532 12 49-31	Bearing, Race Thrust Harden
7	532 12 17-48	Washer 25/32 x 1-5/8 x 16 Ga.
8	812 00 00-29	Ring, Clip #T5304-75
9	532 12 12-32	Cap, Spindle
13	532 12 17-49	Washer 25/32 x 1-1/4 x 16 Ga.
14	810 04 06-00	Washer, Lock Hvy. Hlcl. Spr. 3/8
15	873 54 06-00	Nut, Crown Lock 3/8-24 unf
16	532 40 82-19	Shaft Steering
19	532 19 47-29	Plate Steering
21	532 18 67-37	Adapter, Wheel Steering
22	532 42 05-37	Steering, Support
26	532 43 97-43	Insert, Wheel, Steering
28	817 00 06-12	Screw 3/8-16 x 3/4
35	532 19 47-32	Gear, Sector Plate
45	819 18 38-12	Washer 9/16 x 2-3/8 12 Ga.
51	873 94 08-00	Nut Hex Jam Toplock 1/2-20 unf
53	532 18 89-67	Washer Hardened
57	532 40 74-65	Bracket Upstop
58	532 19 47-47	Bolt Shoulder Sector Pivot CFM
59	532 19 47-48	Washer Thrust Sector Steering
60	873 97 10-00	Nut Flange Lock 5/8-11
61	532 19 47-40	Draglink, LH
62	532 19 47-41	Draglink, RH
63	817 00 05-12	Screw 5/16-18 x 3/4
64	532 19 98-49	Retainer Clip Spring Steering
66	871 02 07-48	Bolt Hex Fghd. 7/16-14 x 3 Serr.
67	532 19 47-37	Bushing PM Front Axle
68	873 90 07-00	Nut Lock Flange 7/16-14 Gr. 5
69	532 19 91-62	Washer 1.5 x .505 x .118
70	532 19 61-97	Bracket Deck Susp. Front
122	532 44 49-62	Cap Gear Sector Tex

NOTE: All component dimensions given in U.S. inches
1 inch = 25.4 mm

TRACTOR - - MODEL NO. YTH22V42 (250190)

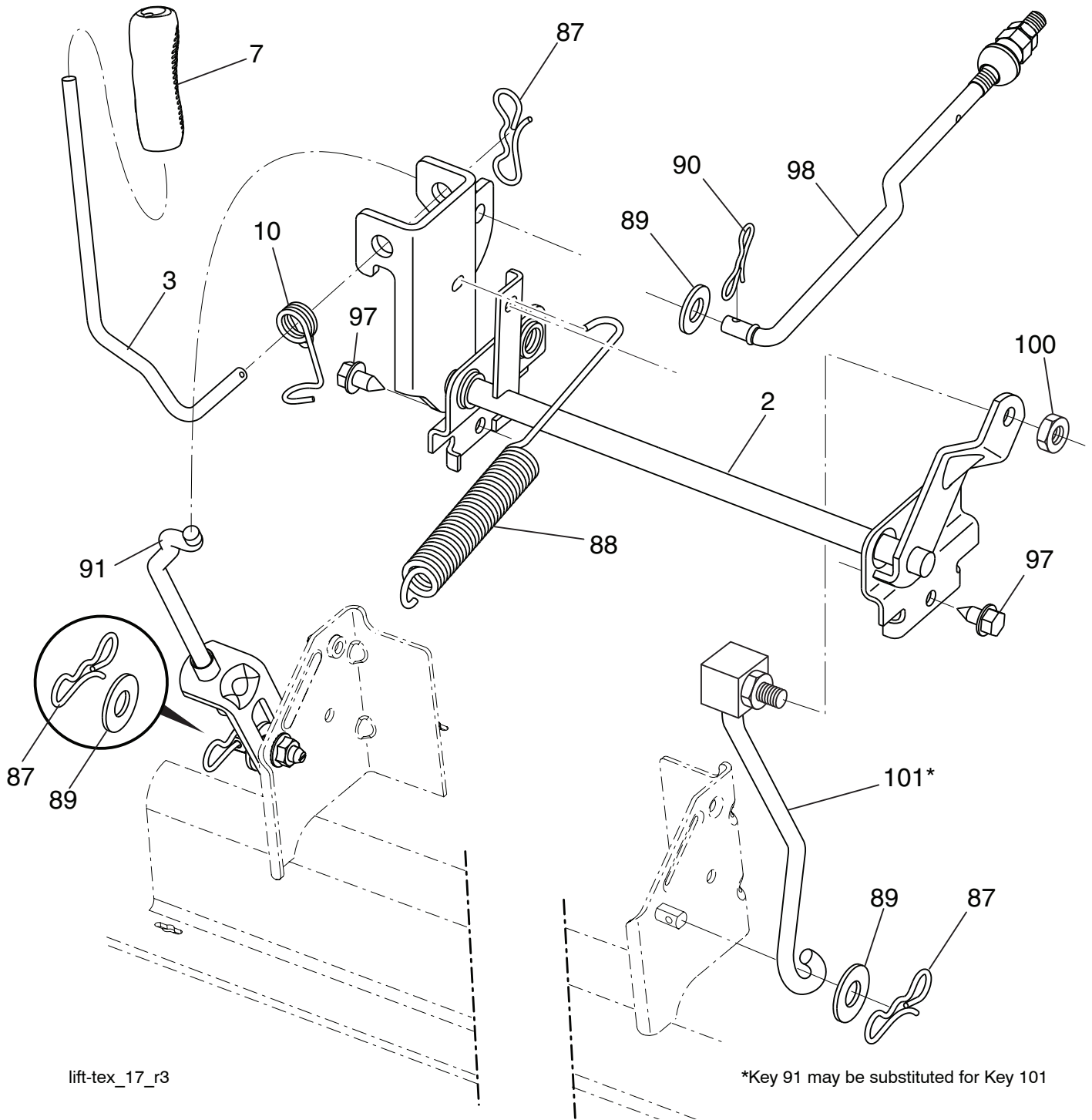
MOWER DECK

KEY NO.	PART NO.	DESCRIPTION	KEY NO.	PART NO.	DESCRIPTION
1	532 43 98-17	Mower Housing	62	872 11 06-16	Bolt 3/8-16 unc x 2
6	532 19 51-86	Arm Suspension	63	532 19 94-77	Arm Brake Mower
7	532 41 63-58	Screw #10 x 0.750	64	532 19 99-18	Link Brake
8	532 19 30-03	Bolt/Washer Asm. 7/16-20 unf	67	532 40 30-12	Handle Clutch Cable
11	532 13 89-71	Blade Mower 42" Hi Lift Premium (For better wear when mulching)	68	532 42 96-36	V-Belt
13	532 19 28-72	Shaft Assembly, Mandrel	69	872 14 05-05	Bolt
14	532 18 72-81	Housing, Mandrel	70	532 19 99-72	Clutch Asm. Manual
15	532 11 04-85	Bearing, Ball, Mandrel	113	817 00 05-10	Screw 5/16-18
19	532 19 65-39	Bolt, Shoulder	116	532 19 34-06	Bolt Shoulder
20	532 15 97-70	Baffle Vortex	117	532 17 48-73	Wheel Gauge
21	873 68 05-00	Nut, Crownlock 5/16-18 unc	122	532 19 72-58	Keeper Belt Engine LH
23	532 19 25-57	Bracket, Deflector	123	532 19 72-59	Keeper Belt Engine RH
24	532 10 53-04	Cap, Sleeve	144	532 19 92-04	Keeper Belt
25	532 19 70-26	Spring, Torsion, Deflector	145	532 19 31-97	Pulley Idler
26	532 11 04-52	Nut, Push	147	532 40 19-71	Spring Return
27	532 40 30-04	Shield, Deflector	152	532 43 51-10	Manual Clutch Cable
29	532 13 14-91	Rod, Hinge	188	532 19 51-61	Stud Fastener
30	532 17 39-84	Screw Thdrol. Rolling Wsh. Hd.	189	873 90 05-00	Nut Lock Hex Flange
31	532 18 76-90	Washer, Spacer	192	532 19 72-60	Bracket Brake Stand LH
32	532 19 74-73	Pulley, Mandrel	195	817 00 06-12	Screw 3/8-16 x 3/4
33	532 40 02-34	Nut, Toplock, Flanged	196	819 13 20-12	Washer 13/32 x 1-1/4 x 12 Ga.
34	872 11 06-12	Bolt Carr. Sh. 3/8-16 x 1-1/2 Gr. 5	241	532 15 29-27	Screw
36	532 19 73-79	Pulley, Idler, Flat	242	532 41 55-98	Port, Washout
37	819 13 13-16	Washer	--	532 41 64-05	Coupling Quick Connect
38	532 43 25-20	Keeper Belt Mandrel	--	532 19 28-70	Mandrel Assembly (Includes hous- ing, shaft assembly, and bearing only - pulley/nut/washer and blade bolt/washers not included)
40	873 90 06-00	Nut, Lock Flg. 3/8-16 unc	--	532 43 29-37	Replacement Mower, Complete
42	532 19 84-10	Spring Torsion Brake			
43	532 19 72-56	Spring Torsion Retainer			
46	532 13 77-29	Screw 1/4-20 x 5/8			
47	532 19 72-50	Bracket Clutch Cable			
55	532 43 71-10	Arm, Idler			
56	532 19 90-92	Spacer, Retainer			
57	817 00 06-16	Screw 3/8-16 x 1			
59	532 14 10-43	Guard, Tuv. Idler			
60	532 19 72-61	Arm Brake Mower			

NOTE: All component dimensions given in U.S. inches
1 inch = 25.4 mm

TRACTOR -- MODEL NO. YTH22V42 (250190)

MOWER LIFT



lift-tex_17_r3

*Key 91 may be substituted for Key 101

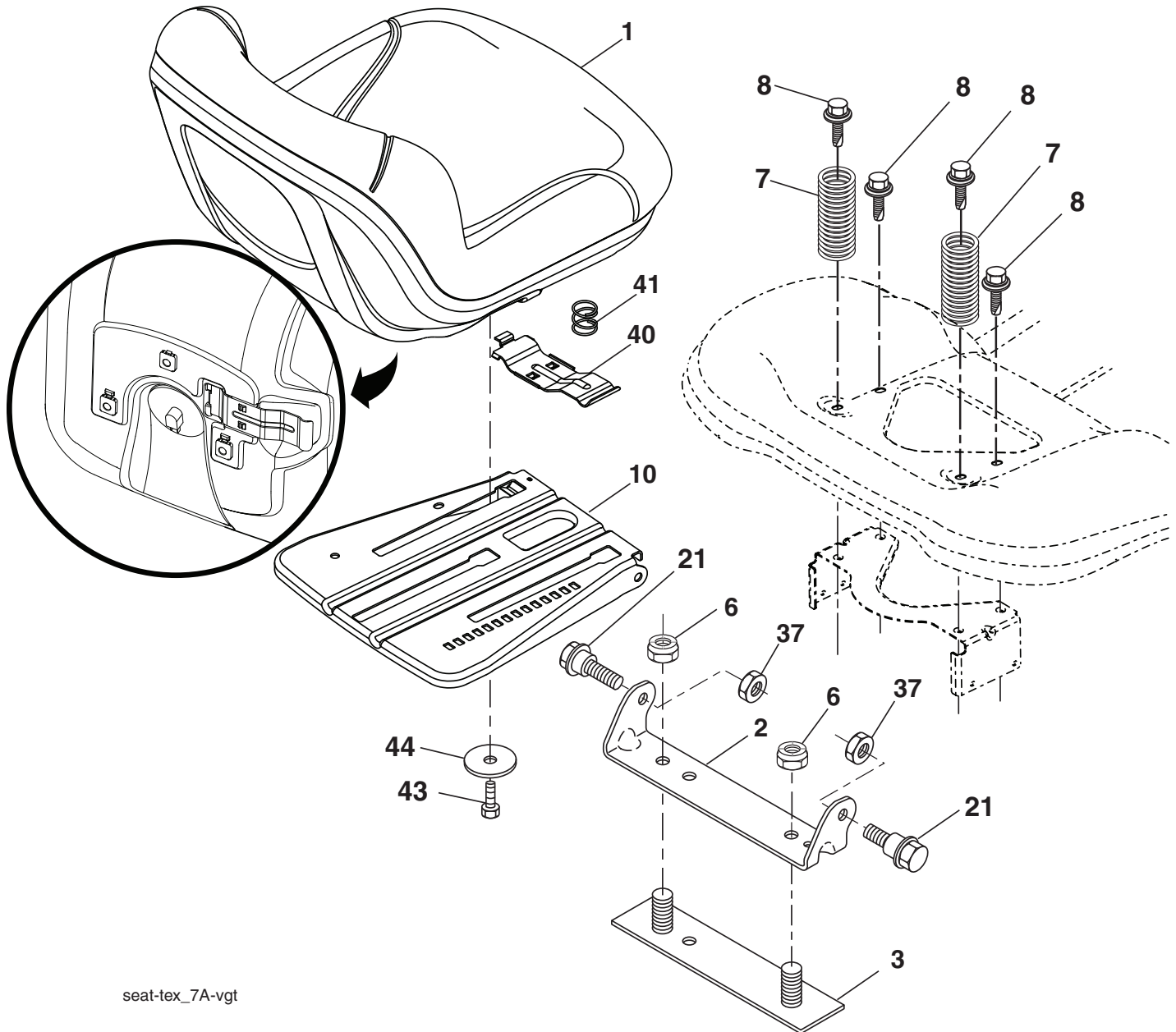
KEY NO.	PART NO.	DESCRIPTION
2	532 42 20-27	Shaft Asm. Cross, Lift
3	532 19 52-31	Lever Asm., Lift RH
7	532 41 15-55	Grip, Lever
10	532 19 63-14	Spring Torsion
87	532 19 42-09	Pin Cotter 7/16 Bow Tie Lock
88	532 41 07-10	Spring Lift Assist
89	819 19 19-12	Washer Clear Zinc
90	532 19 42-08	Pin Cotter 5/16 Bow Tie Lock

KEY NO.	PART NO.	DESCRIPTION
91	532 19 51-81	Link Lift Susp. Mower Rear
97	817 00 06-12	Screw 3/8-16 x .75
98	532 19 52-70	Link Lift Susp. Front Mower
100	873 93 06-00	Nut Centerlock 3/8-16
101	532 40 70-03	Link Asm, Lift Fixed

NOTE: All component dimensions given in U.S. inches
1 inch = 25.4 mm

TRACTOR -- MODEL NO. YTH22V42 (250190)

SEAT ASSEMBLY



seat-tex_7A-vgt

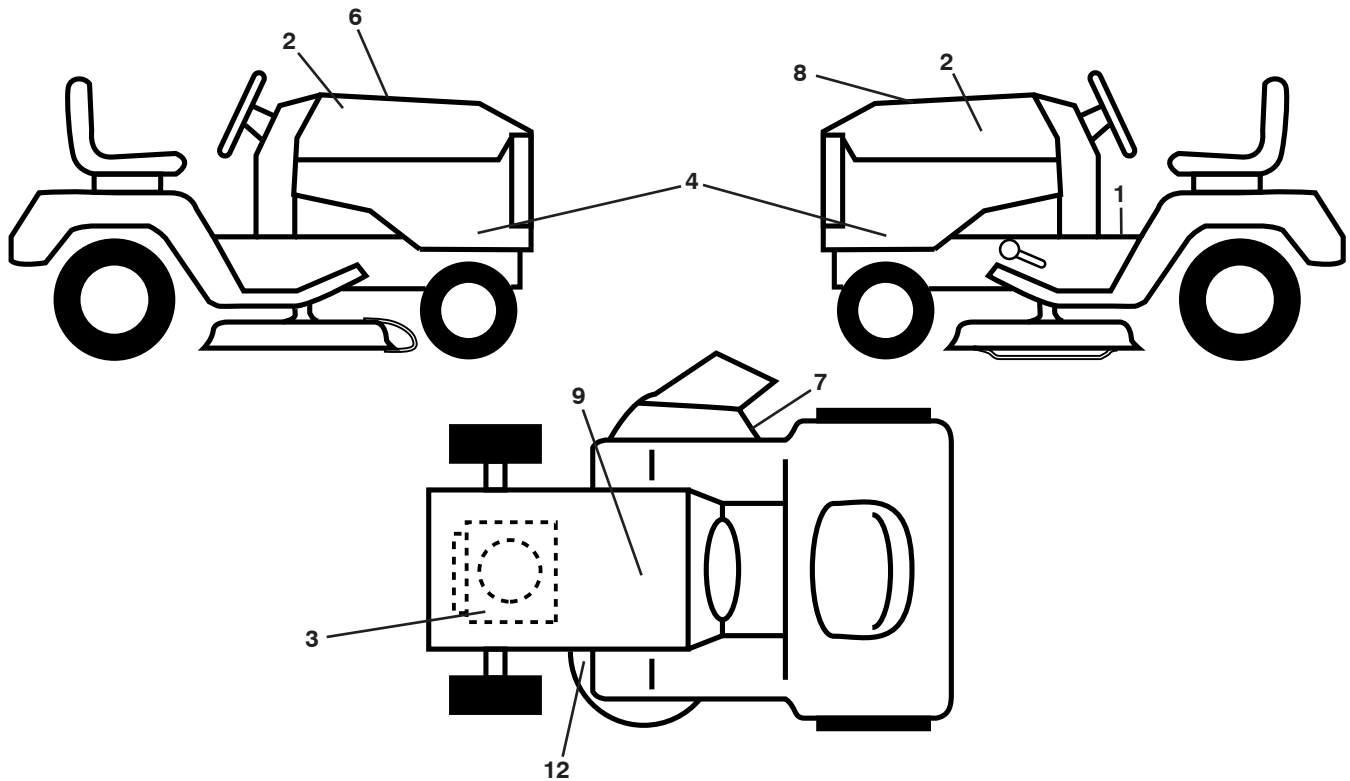
KEY NO.	PART NO.	DESCRIPTION
1	532 43 98-22	Seat
2	532 18 01-66	Bracket Pivot Fender
3	532 14 06-75	Strap, Asm. Fender
6	873 80 06-00	Nut, Lock w/Ins. 3/8-16 unc
7	532 12 41-81	Spring, Seat Cprsn.
8	532 17 18-77	Bolt 5/16-18 unc x 3/4 w/Sems.
10	532 19 69-77	Pan, Seat
21	532 17 18-52	Bolt, Shoulder 5/16-18

KEY NO.	PART NO.	DESCRIPTION
37	873 80 05-00	Nut, Lock 5/16-18 unc
40	532 19 76-61	Handle Slide
41	532 19 82-00	Spring Latch
43	874 76 06-12	Bolt 3/8-16 unc x 3/4
44	819 13 38-12	Washer 13/32 x 2 3/8 x 12 Ga.

NOTE: All component dimensions given in U.S. inches
1 inch = 25.4 mm

TRACTOR -- MODEL NO. YTH22V42 (250190)

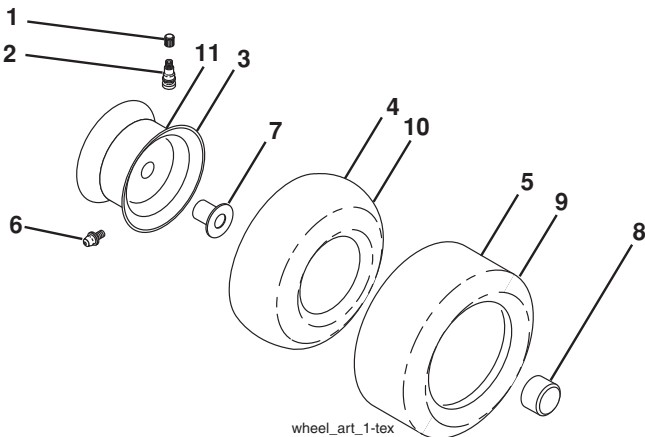
DECALS



KEY NO.	PART NO.	DESCRIPTION
1	532 41 16-57	Decal, Warning
2	532 42 91-96	Emblem
3	532 42 95-56	Decal, Engine
4	532 43 86-64	Decal, Hood Panel
6	532 44 70-09	Decal, Replacement
7	532 17 05-63	Decal, Mower Warning
8	532 42 38-29	Decal, Cust. Resp.
9	532 14 50-05	Decal, Battery Dan./Poi.

KEY NO.	PART NO.	DESCRIPTION
12	532 16 03-96	Decal, Mower V-Belt Schematic
--	532 43 96-81	Pad, Footrest, LH
--	532 43 96-82	Pad, Footrest, RH
--	532 16 69-60	Decal, Bypass
--	532 44 82-41	Manual Operator's (English/Spanish)
--	532 44 82-42	Manual Parts (English/Spanish)

WHEELS AND TIRES



KEY NO.	PART NO.	DESCRIPTION
1	532 05 91-92	Cap Valve Tire
2	532 06 51-39	Stem Valve
3	532 13 83-36	Rim Asm. 6" Front Service
4	532 05 99-04	Tube Front (Service Item Only)
5	532 10 62-22	Tire F T 15 x 6 0 - 6 Service
6	532 12 49-57	Fitting Grease (Front Wheel Only)
7	532 12 49-59	Bearing Flange (Front Wheel Only)
8	532 17 50-39	Cap Axle Blk. 1 50 x 1 00
9	532 13 84-68	Tire R T 20 x 8-8 Service
10	532 12 49-26	Tube Rear (Service Item Only)
11	532 13 83-37	Rim Asm. 8" Rear Service
--	532 14 43-34	Sealant, Tire (10 oz. Tube)

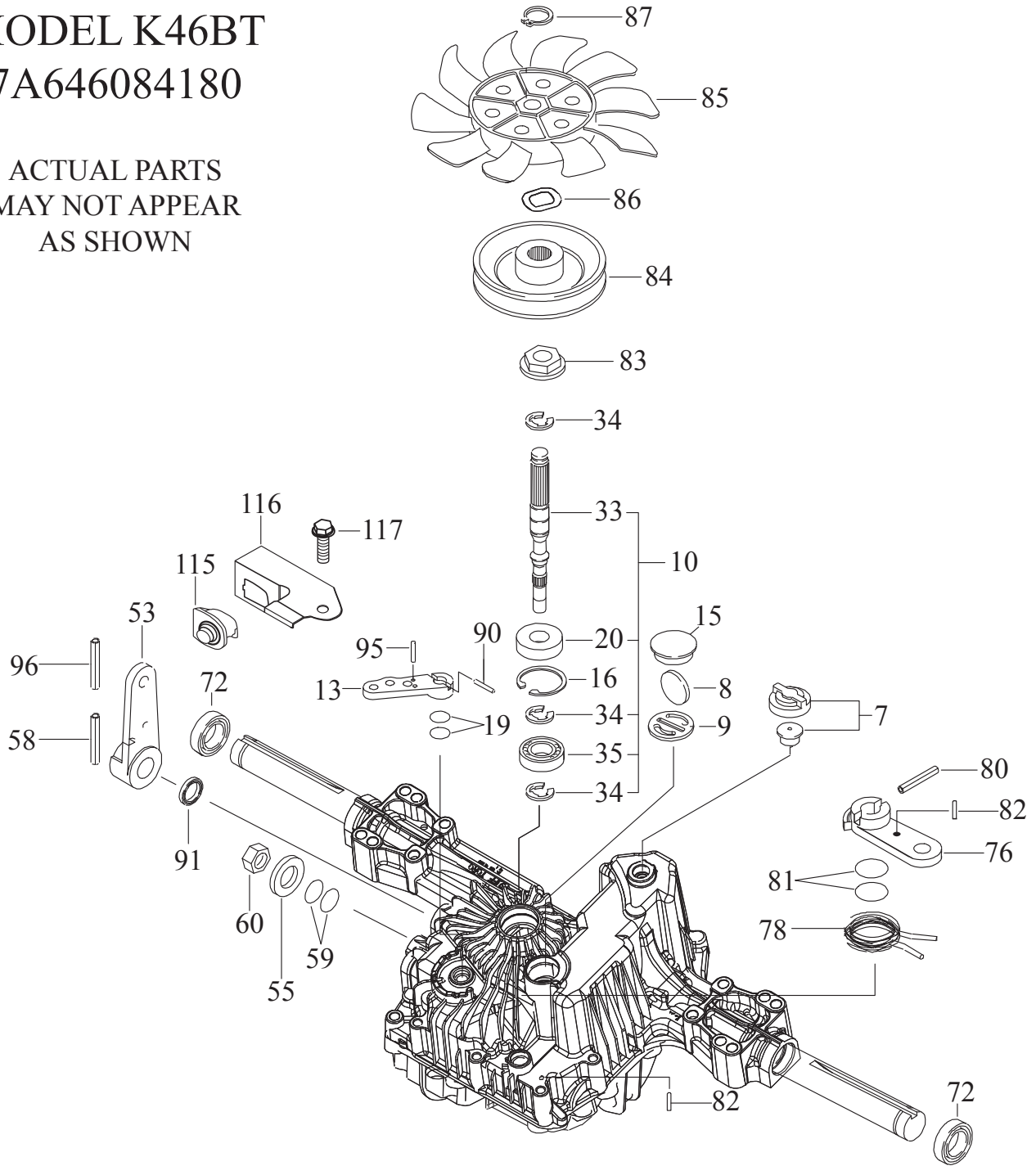
NOTE: All component dimensions given in U.S. inches
1 inch = 25.4 mm

SERVICE NOTES

TRACTOR - - MODEL NUMBER YTH22V42 (250190)
TUFFTORQ TRANSAXLE MODEL NUMBER K46BT

MODEL K46BT
7A646084180

ACTUAL PARTS
MAY NOT APPEAR
AS SHOWN



TRACTOR - - MODEL NUMBER YTH22V42 (250190)
TUFFTORQ TRANSAXLE MODEL NUMBER K46BT

KEY NO.	PART NO.	DESCRIPTION
7	532 41 43-95	Vent Valve 15
8	532 41 43-96	Magnet
9	532 41 43-97	Magnet Holder
10	532 41 59-23	Pump Shaft/Bearing Kit
13	532 41 43-98	Bypass Lever
15	532 41 43-99	Sealing Cap 30
16	532 41 44-00	Snap Ring C 35
19	532 41 44-01	O-Ring 1a P10a
20	532 41 44-02	Seal Tc 153507
33	532 41 44-03	Pump Shaft (Standard)
34	532 41 44-04	E-Ring 15
35	532 41 44-05	Bearing 6202c3
53	532 41 44-31	Control Lever F
55	532 41 59-24	Washer 12
58	532 41 59-25	Roll Pin 6 * 40
59	532 41 59-26	O-Ring 1a P14
60	532 41 59-27	Nut 12
72	532 41 44-07	Seal 19 * 32 * 8
76	532 41 44-08	Brake Lever
78	532 41 44-09	Brake Return Spring
80	532 41 44-10	Spring Pin 5 * 32
81	532 41 44-11	O-Ring 1a P12
82	532 41 44-12	Spring Pin 4 * 16
83	532 41 44-13	Spine Collar
84	532 41 44-14	Pulley L
85	532 41 44-15	Fan, Black
86	532 41 44-16	Wave Washer
87	532 41 44-17	Snap Ring
90	532 41 44-18	Spring Pin 3.0a * 20
91	532 41 44-19	Oil Seal 16 * 22 *.03
95	532 41 48-50	Spring Pin 3.0a*16
96	532 41 44-20	Roll Pin 3.5 * 40
115	532 41 59-28	Switch 6440-11 Delta
116	532 41 59-29	Switch Bracket
117	532 41 59-30	Tapping Screw 8 * 20

NOTE: All component dimensions given in U.S. inches.
1 inch = 25.4 mm

TRACTOR - - MODEL NUMBER YTH22V42 (250190)

B&S ENGINE MODEL 407777-2195-G5

KEY NO.	PART NO.	DESCRIPTION	KEY NO.	PART NO.	DESCRIPTION
1	795118	Cylinder Assembly	142	699726	Nozzle-Carburetor
2	797673	Bushing/Seal Kit (Magneto Side)	146	690979	Key-Timing
3	391086s	Seal-Oil (Magneto Side)	150	690995	Gasket-Nozzle
4	796307	Sump-Engine	163	691001	Gasket-Air Cleaner
5	796231	Head-Cylinder (Cylinder 1)	186	845141	Hose-Connector (EVAP System)
5A	796232	Head-Cylinder (Cylinder 2)	186A	799158	Hose-Connector (EVAP System)
7	693997	Gasket-Cylinder Head	187	791766	Line-Fuel (Cut to Required Length)
8	792185	Breather Assembly	188	691108	Screw (Control Bracket)
9	690937	Gasket-Breather	192	690083	Adjuster-Rocker Arm
10	691108	Screw (Breather Assembly)	197	697820	Screw (Back Plate)
11	792184	Tube-Breather	209	798921	Spring-Governor (Orange)
12	697227	Gasket-Crankcase	211	691019	Spring-Governed Idle (No Color)
13	793988	Screw (Cylinder Head)	212	695238	Link-Throttle
15	690946	Plug-Oil Drain	216	796229	Link-Choke
16	796237	Crankshaft	217	799771	Spring-Choke Return
20	795387	Seal-Oil (PTO Side)	219	793338	Gear-Governor
22	694966	Screw (Crankcase Cover/Sump)	220	799772	Washer (Governor Gear)
23	691054	Flywheel	221	841026	Cup-Governor
24	222698s	Key-Flywheel (Aluminum)	222	798915	Bracket-Control
25	793647	Piston Assembly (Standard)	227	798856	Lever-Governor Control
	793648	Piston Assembly (.020" Oversize)	231	690718	Screw (Choke Valve)
26	791787	Ring Set (Standard)	240	691035	Filter-Fuel
	791792	Ring Set (.020" Oversize)	250	690957	Retainer-Breather
27	690975	Lock-Piston Pin	252	794389	Collector-Oil
28	696581	Pin-Piston	265	691024	Clamp-Casing
29	796209	Rod-Connecting	267	792629	Screw (Casing Clamp)
32	690976	Screw (Connecting Rod)	276	695410	Washer-Sealing
33	697576	Valve-Exhaust	278	792651	Washer (Governor Control Lever)
34	792200	Valve-Intake	287	697820	Screw (Dipstick Tube)
35	694865	Spring-Valve (Intake)	304	799954	Housing-Blower
36	694865	Spring-Valve (Exhaust)	305	691005	Screw (Blower Housing)
42	499586	Keeper-Valve	305A	698336	Screw (Blower Housing)
45	690977	Tappet-Valve	305B	790690	Screw (Blower Housing to Intake Elbow)
46	792555	Camshaft	306	798855	Shield-Cylinder (Cylinder 2)
48	698172	Short Block	306A	796852	Shield-Cylinder (Cylinder 1)
50	695241	Manifold-Intake	307	691003	Screw (Cylinder Shield)
51	795123	Gasket-Intake	307A	691108	Screw (Cylinder Shield)
51A	690950	Gasket-Intake	309	497595	(1/4-20x.66) Motor-Starter
53	690951	Stud (Carburetor)	310	690323	Screw (Starter Motor)
54	699816	Screw (Intake Manifold)	332	691059	Nut (Flywheel)
73	494439	Screen-Rotating	333	799651	Armature-Magneto
74	698425	Screw (Rotating Screen)	334	691061	Screw (Magneto Armature)
75	691056	Washer (Flywheel)	337	491055s	Plug-Spark
95	690718	Screw (Throttle Valve)	358	694012	Gasket Set-Engine
98	699721	Kit-Idle Speed	385	797409	Screw (Fuel Pump)
104	694918	Pin-Float Hinge	387	808656	Pump-Fuel
105	797410	Valve-Float Needle	404	690442	Washer (Governor Crank)
108	699723	Valve-Choke	415	794903	Plug
117	792296	Jet-Main (Standard) (Left)	418	795912	Plate-Carburetor
117A	842585	Jet-Main (Standard) (Right)	431	798859	Elbow-Intake
118	695415	Jet-Main (High Altitude) (Left)	445	499486s	Filter-Air Cleaner
118A	843099	Jet-Main (High Altitude) (Right)	447	691003	Cartridge
121	797890	Kit-Carburetor Overhaul	462	691008	Screw (Air Guide Cover)
125	796258	Carburetor	467	790697	Washer (Starter Cable)
130	690993	Valve-Throttle	474	696459	Knob-Air Cleaner
131	799113	Kit-Throttle Shaft	505	691029	Alternator
133	699724	Float-Carburetor	510	696541	Nut (Governor Control Lever)
135	699729	Tube-Fuel Transfer			Drive-Starter
137	690994	Gasket-Float Bowl			
141	796228	Kit-Choke Shaft			

TRACTOR - - MODEL NUMBER YTH22V42 (250190)

B&S ENGINE MODEL 407777-2195-G5

KEY NO.	PART NO.	DESCRIPTION	KEY NO.	PART NO.	DESCRIPTION
513	692024	Clutch-Drive	1036		Label-Emissions (Available from a Briggs & Stratton Authorized Dealer)
523	691036	Dipstick			
524	691032	Seal-Dipstick Tube			
525	691037	Tube-Dipstick	1040	791237	Plate-Trim
552	796638	Bushing-Governor Crank	1051	691265	Ring-Retaining
552A	690553	Bushing-Governor Crank	1054	280275	Tie-Cable
562	690311	Screw (Governor Control Lever)	1058	278776TRI	Operator's Manual
		Plate-Back	1059	698516	Kit-Screw/Washer (Alternator)
573	790444	Hose-Clamp (Green)	1070	791680	Screw (Flywheel Fan)
601	791850	Hose-Clamp (Black)	1090	691293	Retainer-Brush
601A	691038	Retainer-Governor Shaft	1095	694013	Gasket Set-Valve
615	698290	Crank-Governor	1000	791959	Pivot-Rocker Arm
616	691045	Seal-O Ring (Intake Manifold) (Red)	1119	691183	Screw (Alternator)
617	697891	Seal-Choke/Throttle Shaft (Choke Shaft)	1124	690988	Seal-O Ring (Fuel Transfer Tube)
633	699813	Boot-Spark Plug	1124A	841653	Seal-O Ring (Fuel Transfer Tube)
635	66538s	Nut (Carburetor)	1126	690991	Screw (Fuel Transfer Tube)
654	690958	Spacer (Rotating Screen)	1127	695407	Screw (Float Bowl)
668	691215	Spacer (Rotating Screen)	1128	690990	Screw (Carburetor Nozzle)
668A	691500	Gasket-Carburetor Plate	1169	690990	Screw (Carburetor Cover Plate)
672	690234	Seal-Governor Shaft	1329	445577-3037-G5	Replacement Engine
691	790574	Screw (Drive Cap)	1330	273521	Repair Manual
697	791680	Clip			
703	691010	Pin-Locating			
718	690959	Gear-Timing			
741	690980	Retainer-E Ring			
742	690328	Screw (Oil Pump Cover)			
750	796208	Gear-Pinion			
783	695708	Harness-Wiring			
789	698330	Screw (Rocker Arm)			
798	697890	Cap-Drive			
801	691283	Cap-End			
802	691286	Seal-O Ring (Dipstick)			
842	691031	Dipstick/Tube Assembly			
847	499602	Sealant-Liquid			
850	100106	Terminal-Spark Plug			
851	493880s	Cover-Air Guide (Valley)			
865	691045	Seal-Valve			
868	690968	Wire/Connector-Alternator			
877	790544	Gasket-Exhaust			
883	690970	Screw (Rocker Cover)			
914	691127	Hose-Vacuum (Rocker Cover)			
918	797408	Hose-Vacuum (EVAP System)			
918A	799160	Seal-O Ring (Oil Pump Cover)			
943	796222	Solenoid-Fuel			
947	798779	Cap-Connector			
964	799159	Cover-Oil Pump			
965	796221	Filter-Pre Cleaner			
967	273638s	Cover-Air Cleaner			
968	791242	Bowl-Fuel			
975	798778	Seal-Throttle Shaft			
987	691000	Fan-Flywheel			
1005	791236	Retainer-Link (Control Bracket)			
1012	797926	Nipple-Oil Filter			
1013	690954	Screen-Oil Pump			
1017	796214	Gasket-Rocker Cover			
1022	690971	Cover-Rocker (Cylinder 1)			
1023	793146	Cover-Rocker (Cylinder 2)			
1023A	499600	Pump-Oil			
1024	796220	Rod-Push (Steel)			
1026	690981	Rod-Push (Aluminum)			
1026A	690982	Filter-Oil			
1027	492932s	Arm-Rocker			
1029	690972				

Carburetor Overhaul Kit Key No. 121
 Engine Gasket Set Key No. 358
 Valve Gasket Set Key No. 1095

NOTE: All component dimensions given in U.S. inches.
 1 inch = 25.4 mm

TRACTOR - - MODEL NUMBER YTH22V42 (250190)

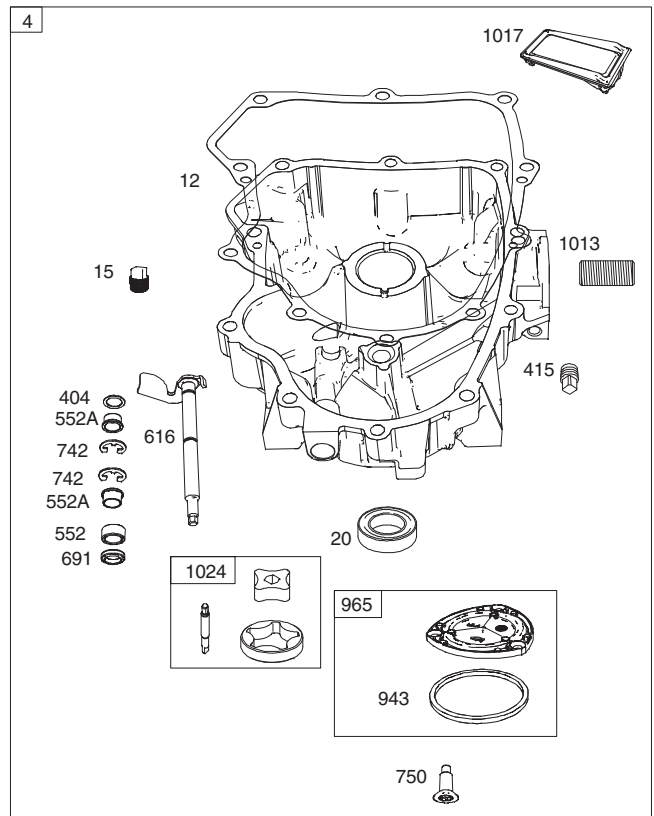
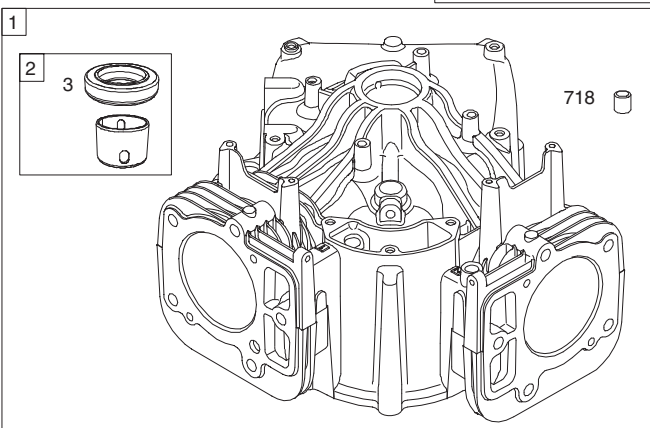
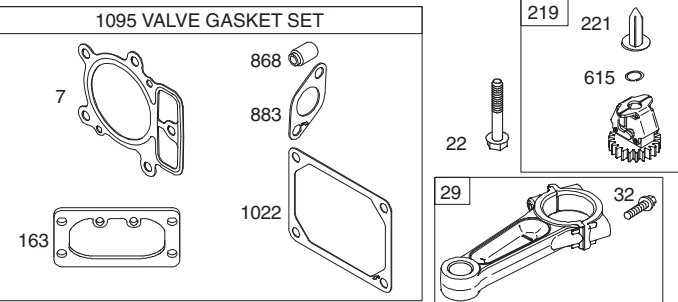
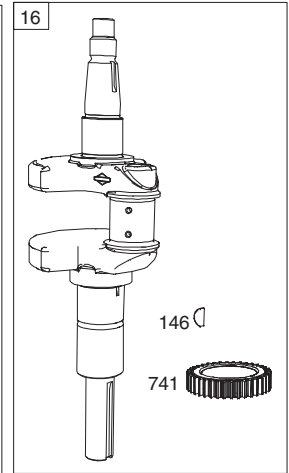
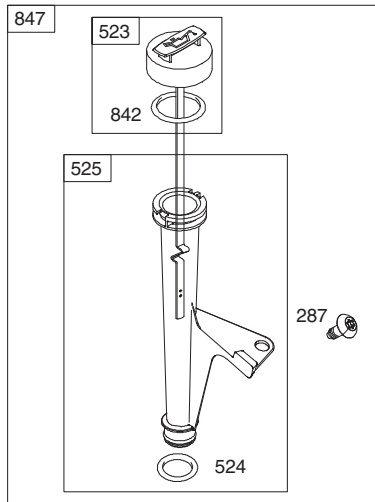
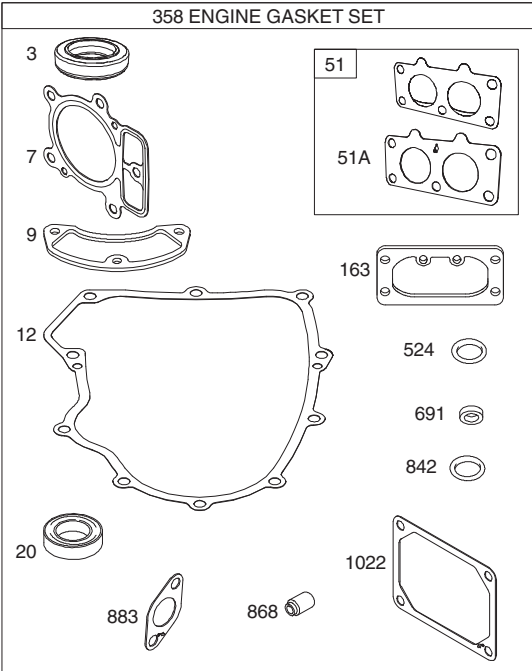
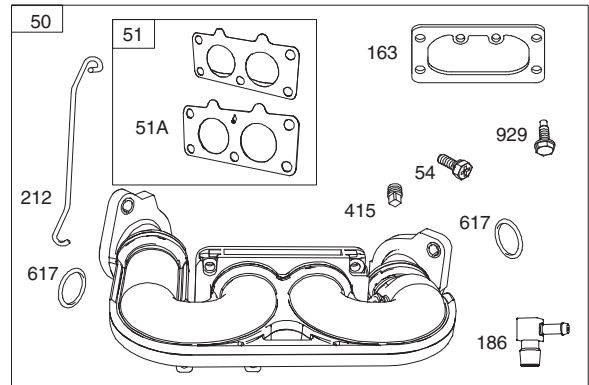
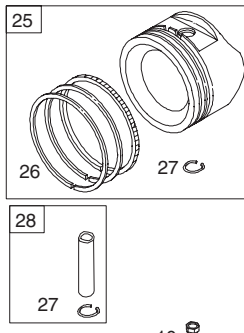
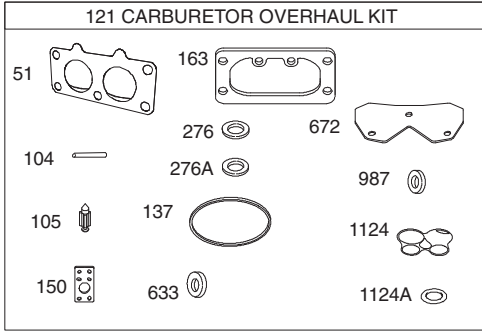
B&S ENGINE MODEL 407777-2195-G5

48 SHORT BLOCK

1058 OPERATOR'S MANUAL

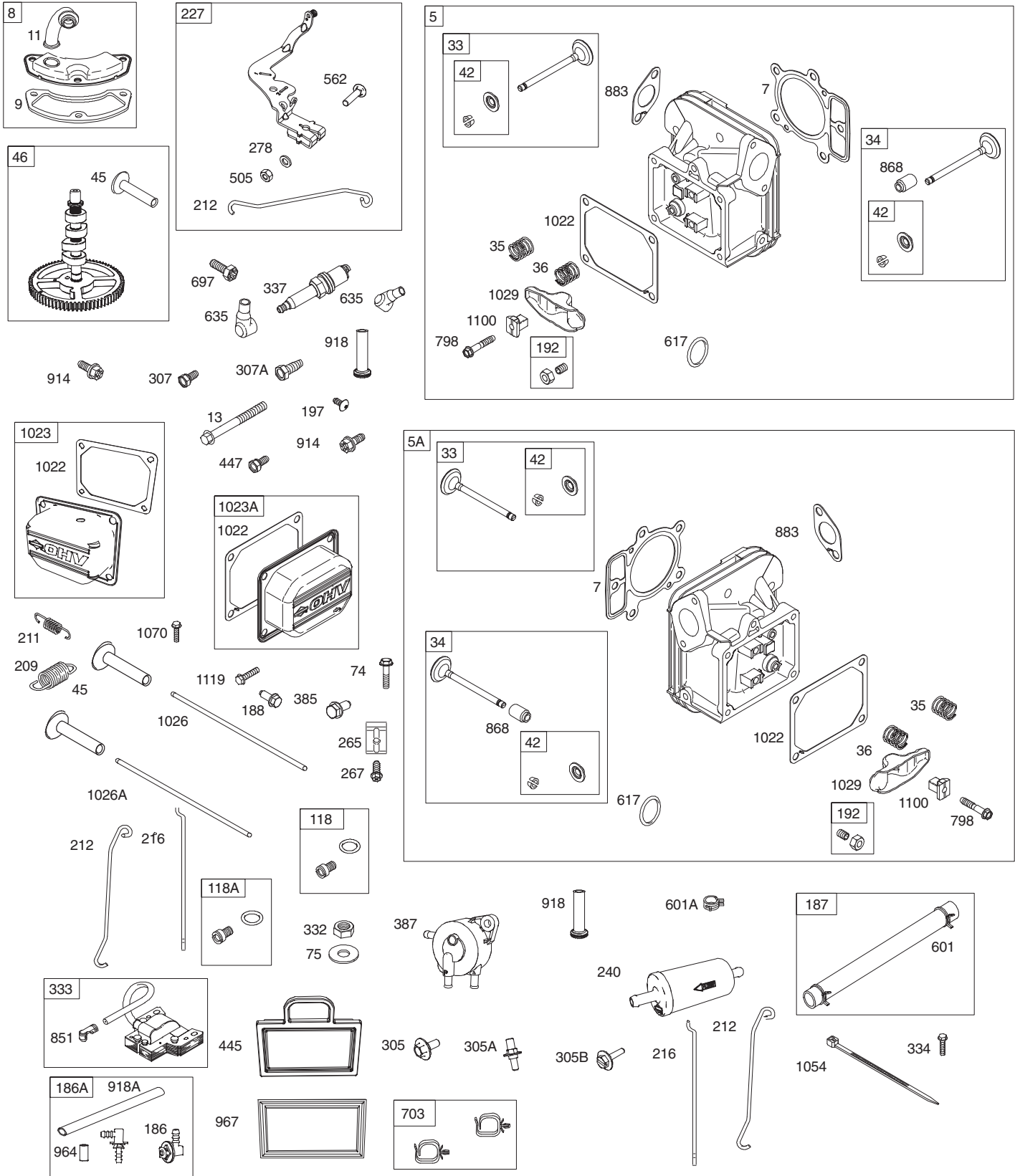
1329 REPLACEMENT ENGINE

1330 REPAIR MANUAL

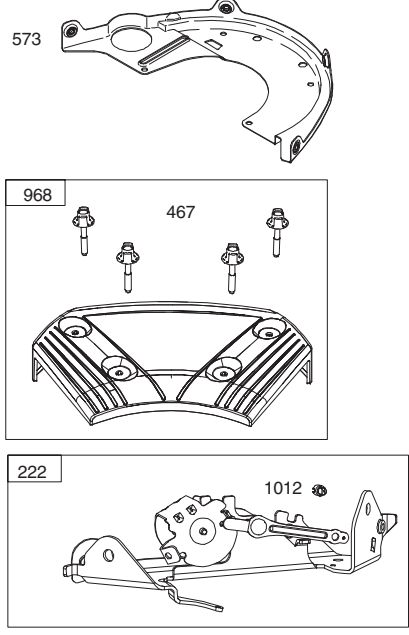
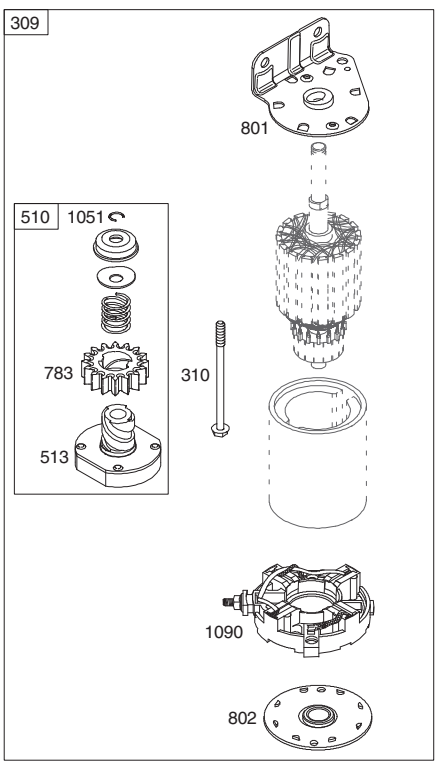
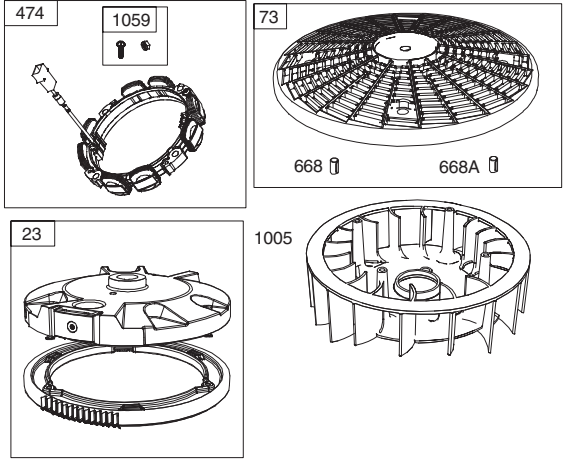
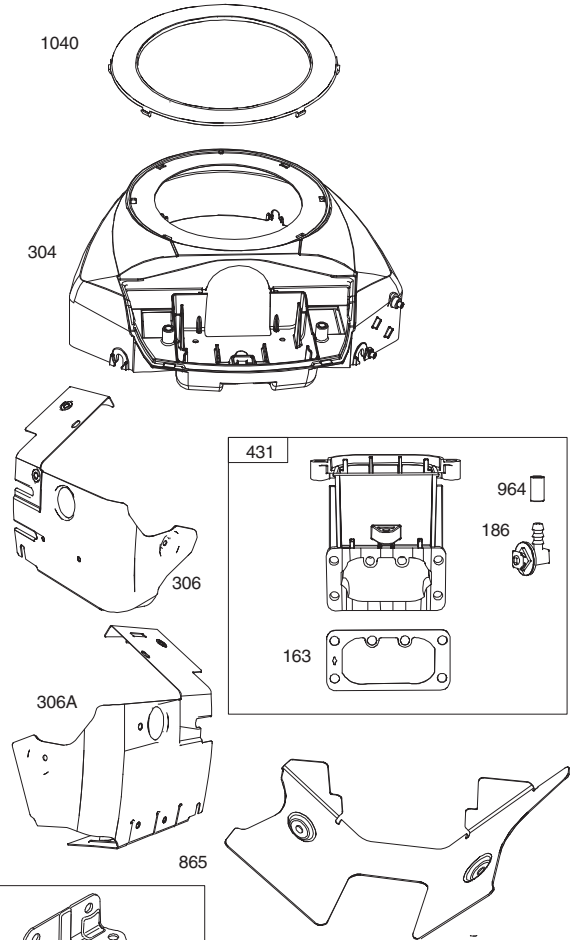
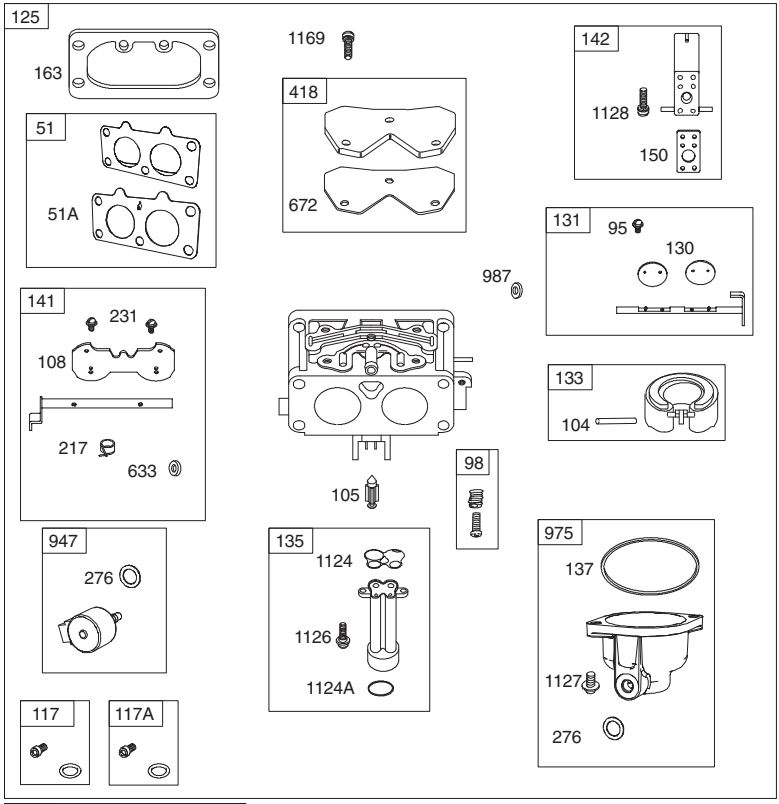


TRACTOR - - MODEL NUMBER YTH22V42 (250190)

B&S ENGINE MODEL 407777-2195-G5



TRACTOR - - MODEL NUMBER YTH22V42 (250190)
B&S ENGINE MODEL 407777-2195-G5



03/28/2012 JM