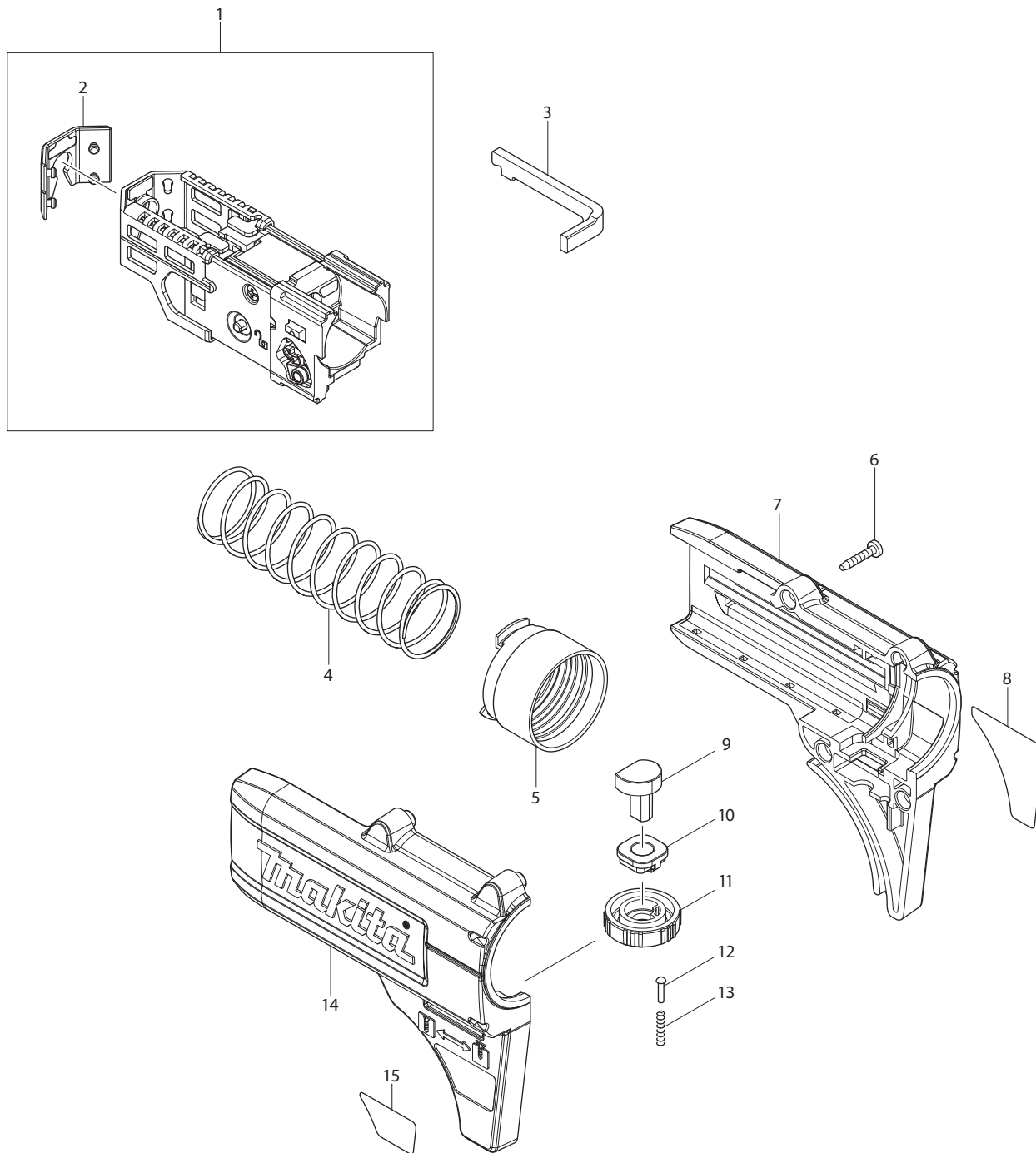


Model XSF03Z Parts List

A = Standard Equipment

O = Circuit Diagram

Item#	Part#	Description	Q'ty	Unit
001	455591-0	LOCK RING	1	
002	424235-3	SEAL RING 30	1	PC.
003	158876-0	LOCATOR L COMPLETE	1	PC.
004	424665-8	DUST SEAL SLEEVE	1	
005	234348-0	RING SPRING 30	1	
006	232245-4	LEAF SPRING	1	PC.
007	142902-5	GEAR HOUSING COMPLETE	1	PC.
	C10 213796-6	OIL SEAL 11	1	PC.
008	265995-6	TAPPING SCREW 4X18	3	PC.
009	423413-2	RUBBER PLATE	1	PC.
010	232050-9	LEAF SPRING	1	PC.
011	216001-0	STEEL BALL 3.5	1	PC.
012	142903-3	SPINDLE 125S COMPLETE	1	PC.
013	234121-8	COMPRESSEION SPRING 8	1	PC.
014	267202-3	FLAT WASHER 8	2	PC.
015	223181-5	CLUTCH CAM 125S	1	PC.
016	216008-6	STEEL BALL 4	3	PC.
017	142904-1	GEAR COMPLETE	1	
	C10 424663-2	SEAL	1	
018	268325-0	ROD 2	1	
019	424664-0	SEAL RING	1	
020	142909-1	GEAR HOUSING COVER COMPLET	1	PC.
024	519355-7	ROTOR ASS'Y	1	PC.
026	629135-4	STATOR	1	PC.
027	162272-6	HOOK	1	PC.
028	142908-3	LEVER COMPLETE	1	PC.
029	233619-2	TORSION SPRING 3	1	
030	187968-8	HOUSING SET	1	SET
	C10 263005-3	RUBBER PIN 6	2	PC.
	D10	INC. 38		
031	850H35-7	XSF03 NAME PLATE	1	
032	266130-9	TAPPING SCREW BIND PT 3X16	7	PC.
033	266490-9	TAPPING SCREW PT 2X6	3	PC.
034	142905-9	SWITCH PLATE COMPLETE	1	
035	620349-8	CONTROLLER	1	
036	643860-3	TERMINAL	1	PC.
037	650733-3	SWITCH C3JW-4B-2L	1	PC.
038	187968-8	HOUSING SET	1	SET
	C10 263005-3	RUBBER PIN 6	2	PC.
	D10	INC. 30		
039	850H40-4	XSF03 SERIAL NO. LABEL	1	
A01	266622-8	+ TRUSS HEAD SCREW M4X12	1	PC.
A02	346449-3	HOOK	1	PC.
A03	784211-B	+BIT 2-25	2	PC.
A04	784812-6	MAGNETIC CONNECT BIT 6.35-76	1	
D01	654562-6	INSULATED CONNECTOR 35115	3	PC.



Model 199145-0 Parts List

A = Standard Equipment

O = Circuit Diagram

Item#	Part#	Description	Q'ty Unit
001	126854-8	FEEDER BOX ASSEMBLY	1 PC.
	D10	INC. 2	
002	422275-5	CAP	1 PC.
003	347389-8	STOPPER	1 PC.
004	232457-9	COMPRESSION SPRING 26	1 PC.
005	140D25-7	CLAMPER COMPLETE	1 PC.
005	C11 213878-4	O-RING 36	1 PC.
	C20 233927-1	RING SPRING 34	1 PC.
006	266130-9	TAPPING SCREW BIND PT 3X16	4 PC.
007	183K38-7	CASING SET	1 PC.
	D10	INC. 14,15	
008	854K46-2	DATE CODE LABEL	1 PC.
009	310884-1	SHIFTER PIN	1 PC.
010	310883-3	SLEEVE 8	1 PC.
011	458556-1	DIAL 28	1 PC.
012	255058-6	RIVET 2	1 PC.
013	233188-3	COMPRESSION SPRING 2.4	1 PC.
014	183K38-7	CASING SET	1 PC.
	D10	INC. 7,15	
015	817C25-3	INDICATION LABEL	1 PC.
A01	199409-2	+ BIT 2-130 SET	1 PC.
A02	199410-7	SQUARE BIT 2-130 SET	1 PC.