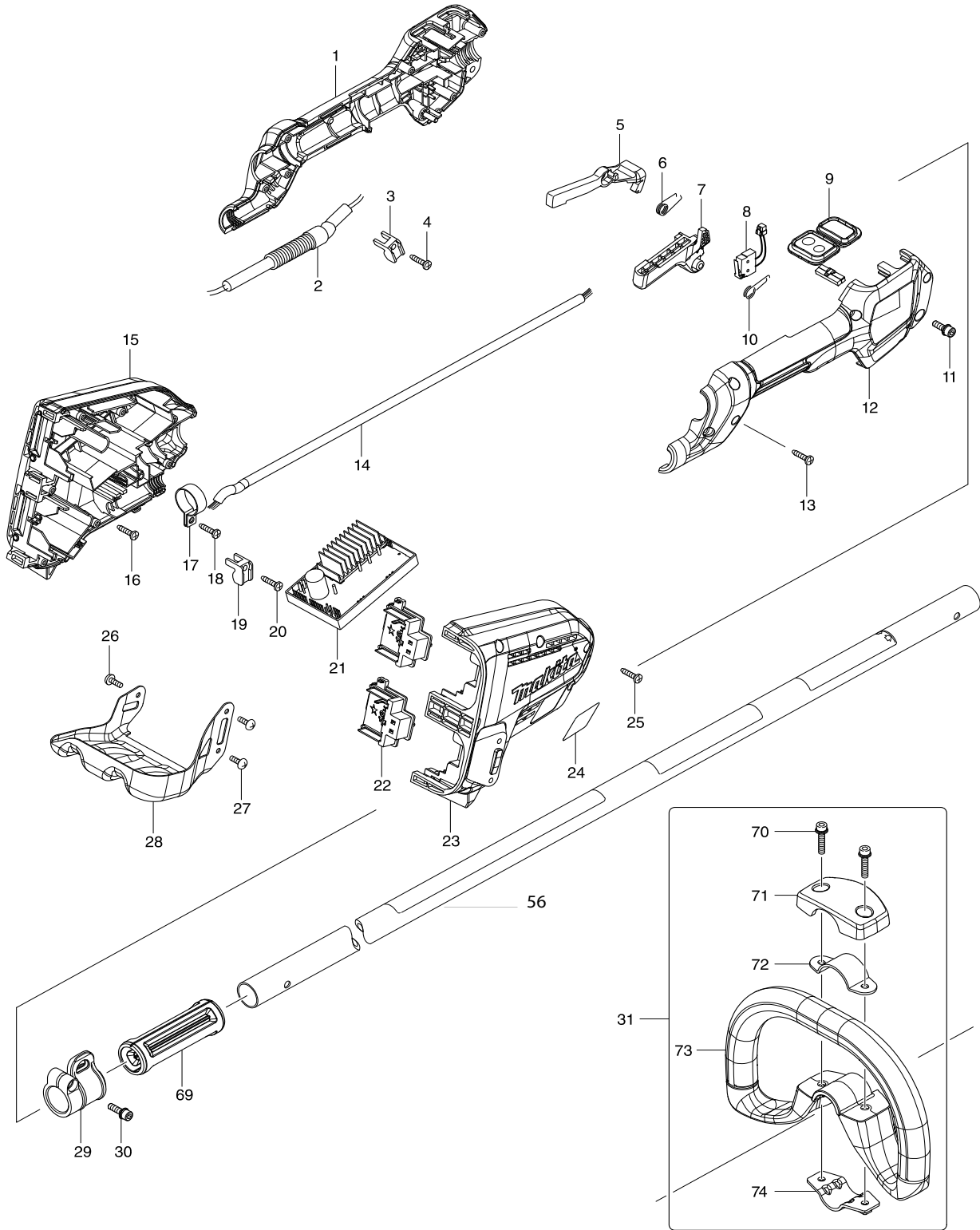




XRU09

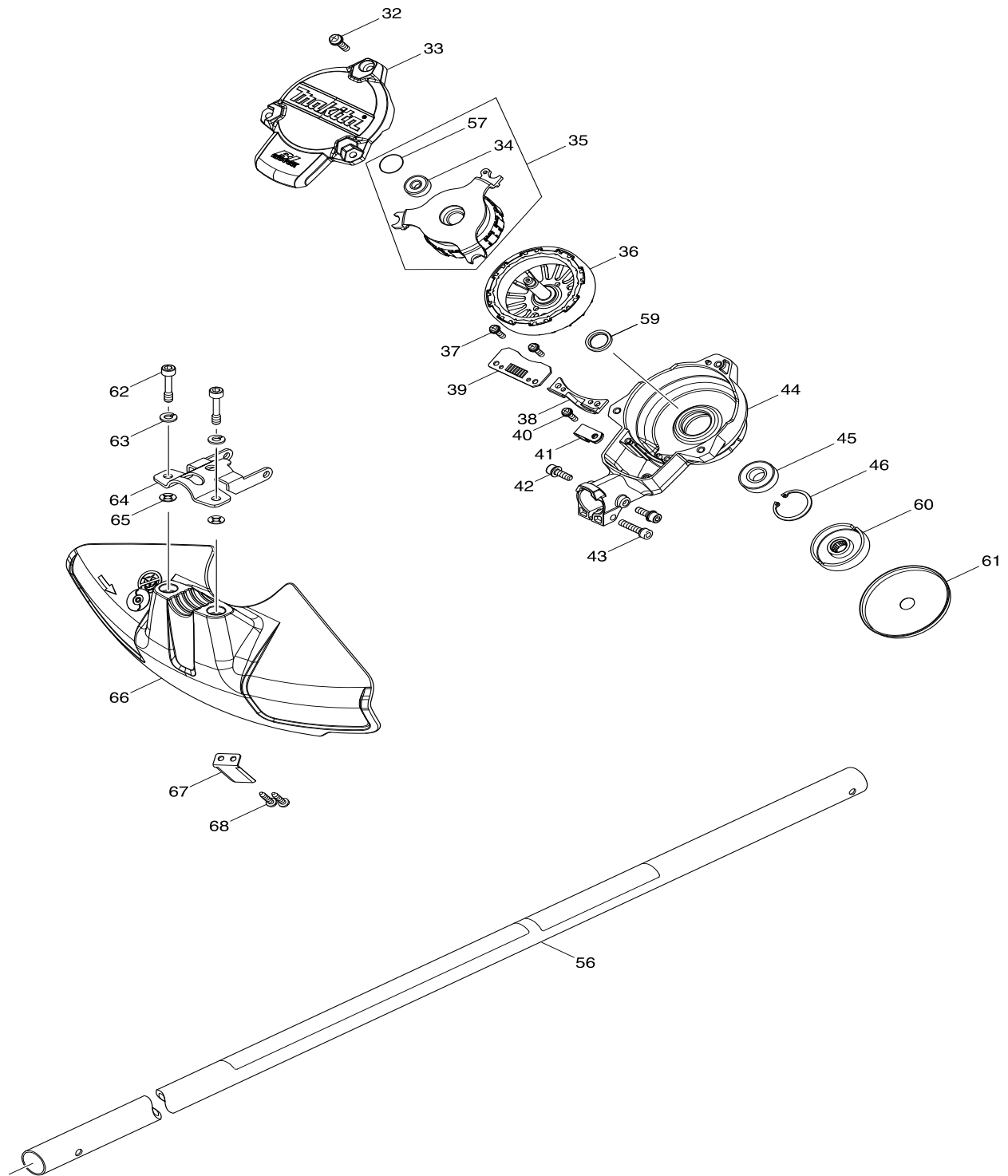


Products with multiple versions are listed in subsiding order with the newest version on top not indented.

Section	Fig. No.	Part No.	Description	XRU09	Tech Bulletin	Notes
1 1		183A19-1	GRIP SET	1		INC. 12
1 2		699068-7	POWER SUPPLY CORD UNIT	1		
1 3		687261-5	STRAIN RELIEF	1		
1 4		266326-2	TAPPING SCREW 4X18	1		
1 5		455629-1	LOCK OFF LEVER	1		
1 7		455625-9	SWITCH LEVER	1		
1 8		632E26-0	SWITCH UNIT	1		
1 9		143977-7	SUB CONTROLLER COMPLETE	1		
1 10		233612-6	TORISION SPRING 10	1		
1 11		922228-9	H.S.H. BOLT M5X18 WITH WR	1		
1 12		183A19-1	GRIP SET	1		INC. 1
1 13		266326-1	TAPPING SCREW 4X18	6		
1 14		699067-9	POWER SUPPLY CORD UNIT	1		
1 15		183A64-6	HOUSING SET	1		INC. 23 & 263005-3 - Rubber Pin 6 (not pictured)
1 16		266326-2	TAPPING SCREW 4X18	3		
1 17		346248-3	CLAMP 24	1		
1 18		266326-2	TAPPING SCREW 4X18	1		
1 19		687261-5	STRAIN RELIEF	1		
1 20		266326-1	TAPPING SCREW 4X18	1		
1 21		143858-5	CONTROLLER COMPLETE	1		
1 22		644808-8	TERMINAL	2		
1 23		183A64-6	HOUSING SET	1		INC. 15 & 263005-3 Rubber Pin 6 (not pictured)
1 24		852F91-1	XRU09 NAME PLATE	1		
1 25		266326-2	TAPPING SCREW 4X18	7		
1 26		251314-2	SCREW M4X12	1		
1 27		251314-2	SCREW M4X12	2		
1 28		346858-6	BATTERY GUARD	1		
1 29		168478-4	HANGER	1		
1 30		922228-9	H.S.H. BOLT M5X18 WITH WR	1		
1 31		195626-2	LOOP HANDLE SET	1		INC. 70-74
1 56		143856-9	PIPE COMPLETE L	1		
1 69		451601-1	SPACER 24	1		

Products with multiple versions are listed in subsiding order with the newest version on top not indented.

Section	Fig. No.	Part No.	Description	XRU09	Tech Bulletin	Notes
1	70	922243-3	HEX. SOCKET HEAD BOLT M5X25	2		
1	71	452843-0	CLAMP COVER B	1		
1	72	346468-9	CLAMP 33	1		
1	73	452841-4	LOOP HANDLE	1		
1	74	347094-7	CLAMP 24	1		



Products with multiple versions are listed in subsiding order with the newest version on top not indented.

Section	Fig. No.	Part No.	Description	XRU09	Tech Bulletin	Notes
2	32	911233-1	PAN HEAD SCREW M5X20	3		
2	33	455626-7	TOP COVER	1		
2	34	211021-9	BALL BEARING 607ZZ	1		
2	34	210062-2	BALL BEARING 607ZZ	1		
2	35	529146-8	STATOR ASS'Y	1		INC. 34,57
2	36	619462-7	ROTOR	1		
2	36	619368-9	ROTOR	1		
2	37	911128-8	PAN HEAD SCREW M4X16	2		
2	38	455628-3	INNER COVER	1		
2	39	620401-2	CONTROLLER B	1		
2	40	911128-8	PAN HEAD SCREW M4X16	1		
2	41	687042-7	STRAIN RELIEF	1		
2	42	922223-9	H.S.H. BOLT M5X18 WITH WR	2		
2	43	922241-7	HEX SOCKET HEAD BOLT M5X25	1		
2	44	143039-1	MOTOR HOUSING COMPLETE	1		
2	45	211131-2	BALL BEARING 6001DDW	1		
2	46	962106-1	RETAINING RING R-28	1		
2	56	143856-9	PIPE COMPLETE L	1		
2	57	213325-5	O RING 19	1		
2	59	326586-9	RING 14	1		
2	60	326518-6	RECEIVE WASHER A	1		
2	61	346622-5	GUARD	1		
2	62	266579-3	HEX SOCKET HEAD BOLT M6X30	2		
2	63	942151-2	SPRING WASHER 6	2		
2	64	346073-2	PROTECTOR CLAMP	1		
2	65	413143-3	WASHER	2		
2	66	455926-5	PROTECTOR	1		
2	67	346855-2	CUTTER	1		
2	68	266326-2	TAPPING SCREW 4X18	2		