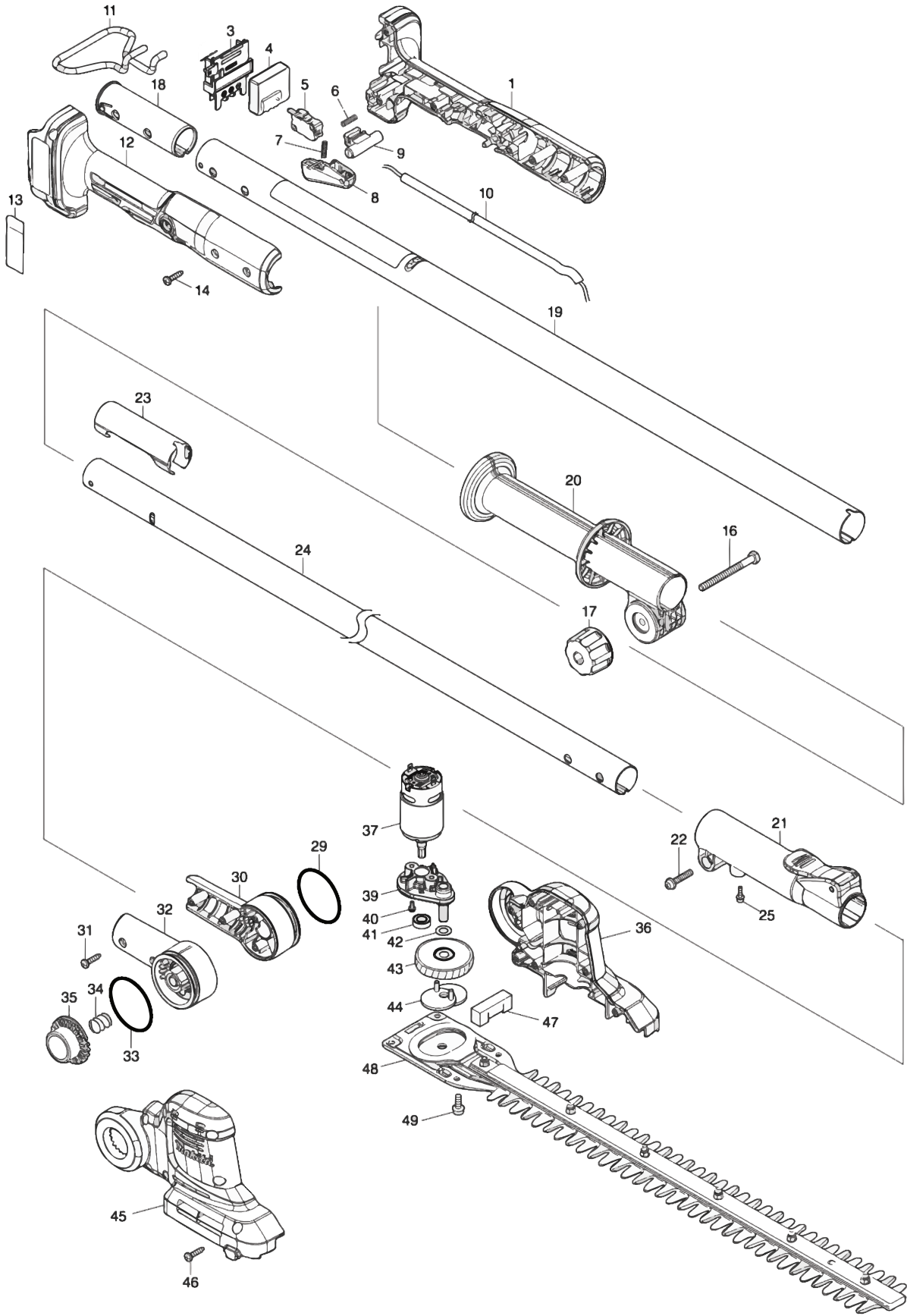




XNU05



Products with multiple versions are listed in subsiding order with the newest version on top not indented.

Section	Fig. No.	Part No.	Description	XNU05	Tech Bulletin	Notes
1	1	183S96-1	GRIP HOUSING SET	1		INC. 12
1	3	643874-2	TERMINAL	1		
1	4	620F42-0	CONTROLLER	1		
1	5	651398-4	SWITCH BMC-1112-001	1		
1	6	231473-8	COMPRESSION SPRING 4	1		
1	7	231473-8	COMPRESSION SPRING 4	1		
1	8	413714-6	SWITCH LEVER	1		
1	9	413713-8	LOCK OFF BUTTON A	1		
1	10	699167-5	POWER SUPPLY CORD UNIT	1		
1	11	327810-3	BATTERY GUARD	1		
1	12	183S96-1	GRIP HOUSING SET	1		INC. 1
1	14	266326-2	TAPPING SCREW 4X18	6		
1	16	921362-2	HEX. BOLT M6X40	1		
1	17	264072-1	THUMB NUT M6	1		
1	18	413712-0	PIPE CAP 32	1		
1	19	141D70-5	PIPE 32 COMPLETE	1		
1	20	413719-6	FRONT GRIP A	1		
1	21	141C39-3	PIPE HOLDER 32 COMPLETE	1		
1	22	911243-8	PAN HEAD SCREW M5X25	1		
1	23	413711-2	PIPE CAP 28	1		
1	24	327815-3	PIPE 28	1		
1	25	251568-1	H.S.H.BOLT M3X12 WITH WR	1		
1	29	213616-4	O RING 48	1		
1	30	183T14-5	PIPE HOLDER SET	1		INC. 32
1	31	266326-2	TAPPING SCREW 4X18	4		
1	32	183T14-5	PIPE HOLDER SET	1		INC. 30
1	33	213616-4	O RING 48	1		
1	34	231113-8	COMPRESSION SPRING 12	1		
1	35	413715-4	LOCK OFF BUTTON B	1		
1	36	183T13-7	MOTOR HOUSING SET	1		INC. 45
1	37	629A61-3	DC MOTOR	1		
1	39	141B58-3	MOTOR HOLDER COMPLETE	1		
1	40	265199-0	+ PAN HEAD SCREW M3X8	2		
1	41	210124-6	BALL BEARING 688ZZ	1		
1	42	253215-0	FLAT WASHER 8	1		
1	43	141B59-1	GEAR COMPLETE	1		

Products with multiple versions are listed in subsiding order with the newest version on top not indented.

Section	Fig. No.	Part No.	Description	XNU05	Tech Bulletin	Notes
1	44	165734-3	CRANK	1		
1	45	183T13-7	MOTOR HOUSING SET	1		INC. 36
1	46	266326-2	TAPPING SCREW 4X18	7		
1	47	424958-3	SPONGE SEAL	1		
1	48	191P00-8	SHEAR BLADE 460 ASSEMBLY SET	1		
1	49	265074-0	PAN HEAD SCREW M5X16	4		
1	50	136620-5	PIPE ASSEMBLY	1		INC. 21-23,25
1	A01	413720-1	BLADE COVER	1		Not Pictured