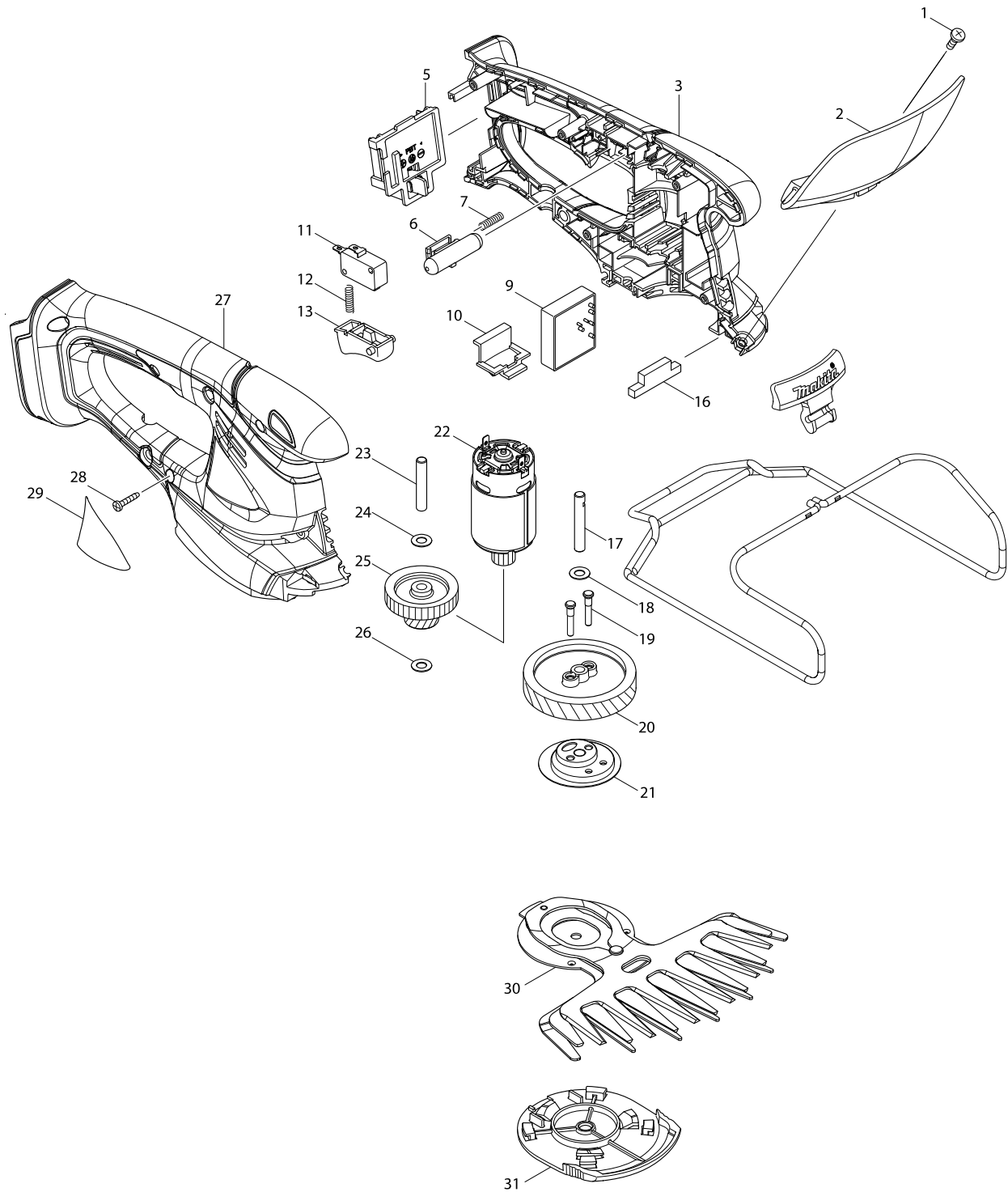




XMU02



Products with multiple versions are listed in subsiding order with the newest version on top not indented.

Section	Fig. No.	Part No.	Description	XMU02	Tech Bulletin	Notes
1	1	915116-7	BINDING HEAD SCREW M4X12	1		
1	2	142739-0	PROTECTOR COMPLETE	1		
1	3	187970-1	HOUSING SET	1		Includes 931102-0, 346275-0, 263005-3, #27
1		931102-0	HEX. NUT M4	1		Not pictured
1		346275-0	PLATE	2		Not pictured
1		263005-3	RUBBER PIN 6	2		Not pictured
1	5	643852-2	TERMINAL	1		
1	6	452438-9	LOCK OFF BUTTON	1		
1	7	231473-8	COMPRESSION SPRING 4	1		
1	9	620119-5	CONTROLLER	1		
1	10	451812-8	LOCK LEVER	1		
1	11	651891-8	SWITCH V-15-3A6	1		
1	12	231473-8	COMPRESSION SPRING 4	1		
1	13	417564-1	SWITCH LEVER	1		
1	16	451814-4	DUST GUARD	1		
1	17	268254-7	PIN 6	1		
1	18	261122-3	WASHER 6	1		
1	19	268256-3	PIN 4	2		
1	20	227728-7	HELICAL GEAR 47	1		
1	21	165609-6	CRANK COMPLETE	1		
1	22	629943-3	DC MOTOR	1		
1	23	268076-5	PIN 6	1		
1	24	261122-3	WASHER 6	1		
1	25	226831-1	GEAR 12-31	1		
1	26	261122-3	WASHER 6	1		
1	27	187970-1	HOUSING SET	1		Includes 931102-0, 346275-0, 263005-3, #3
1		931102-0	HEX. NUT M4	1		Not pictured
1		346275-0	PLATE	2		Not pictured
1		263005-3	RUBBER PIN 6	2		Not pictured
1	28	266429-2	TAPPING SCREW 3X16	6		
1	30	195176-7	SHEAR BLADE ASSEMBLY SET	1		
1		188369-3	OIL VESSEL SET	1		Not pictured

Products with multiple versions are listed in subsiding order with the newest version on top not indented.

Section	Fig. No.	Part No.	Description	XMU02	Tech Bulletin	Notes
1	31	140451-6	UNDER COVER COMPLETE	1		
1	A01	326146-7	BASE FRAME	1		
1	A02	451813-6	CHANGE LEVER	1		
1	A03	452055-5	BLADE COVER	1		