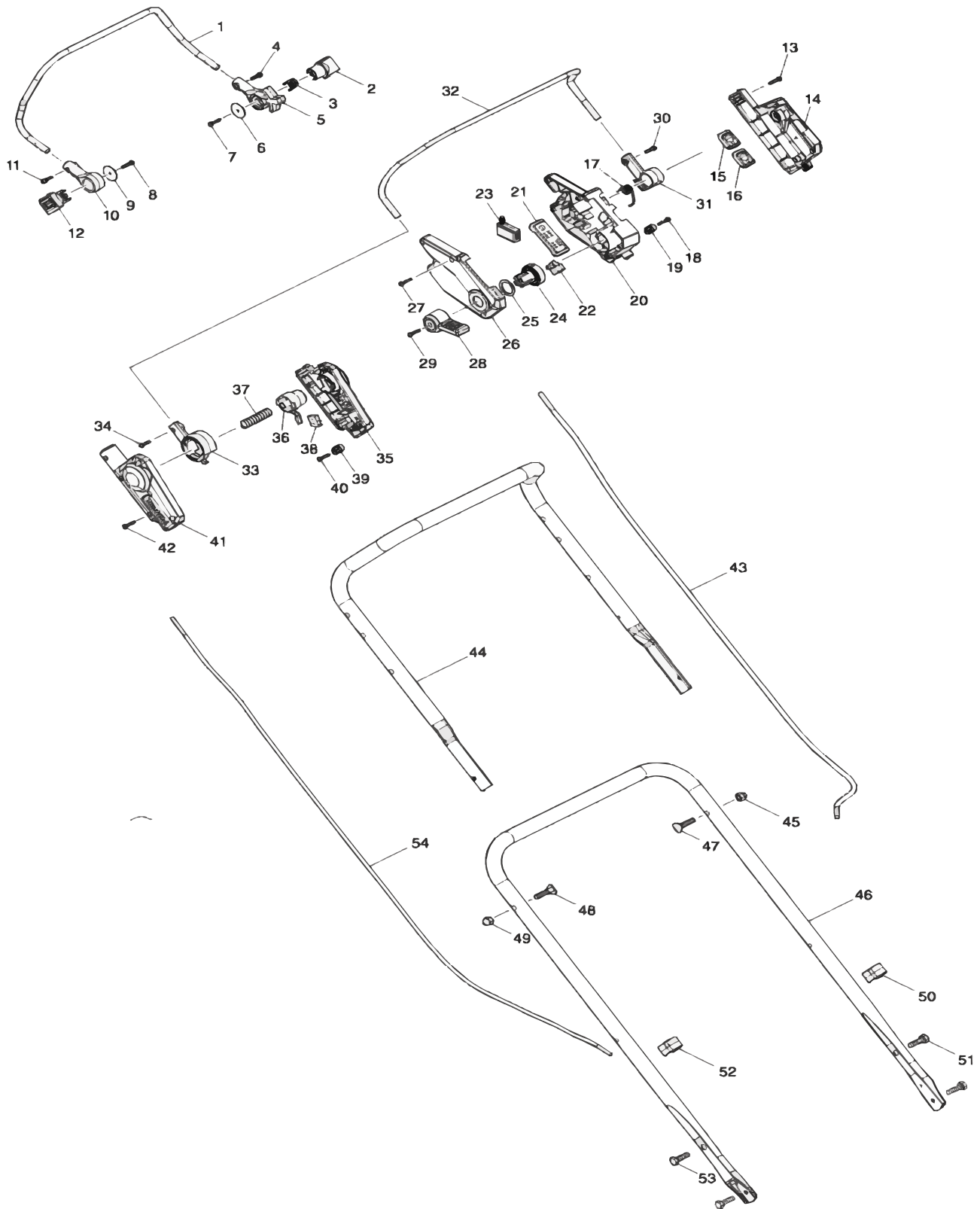




**XML06**



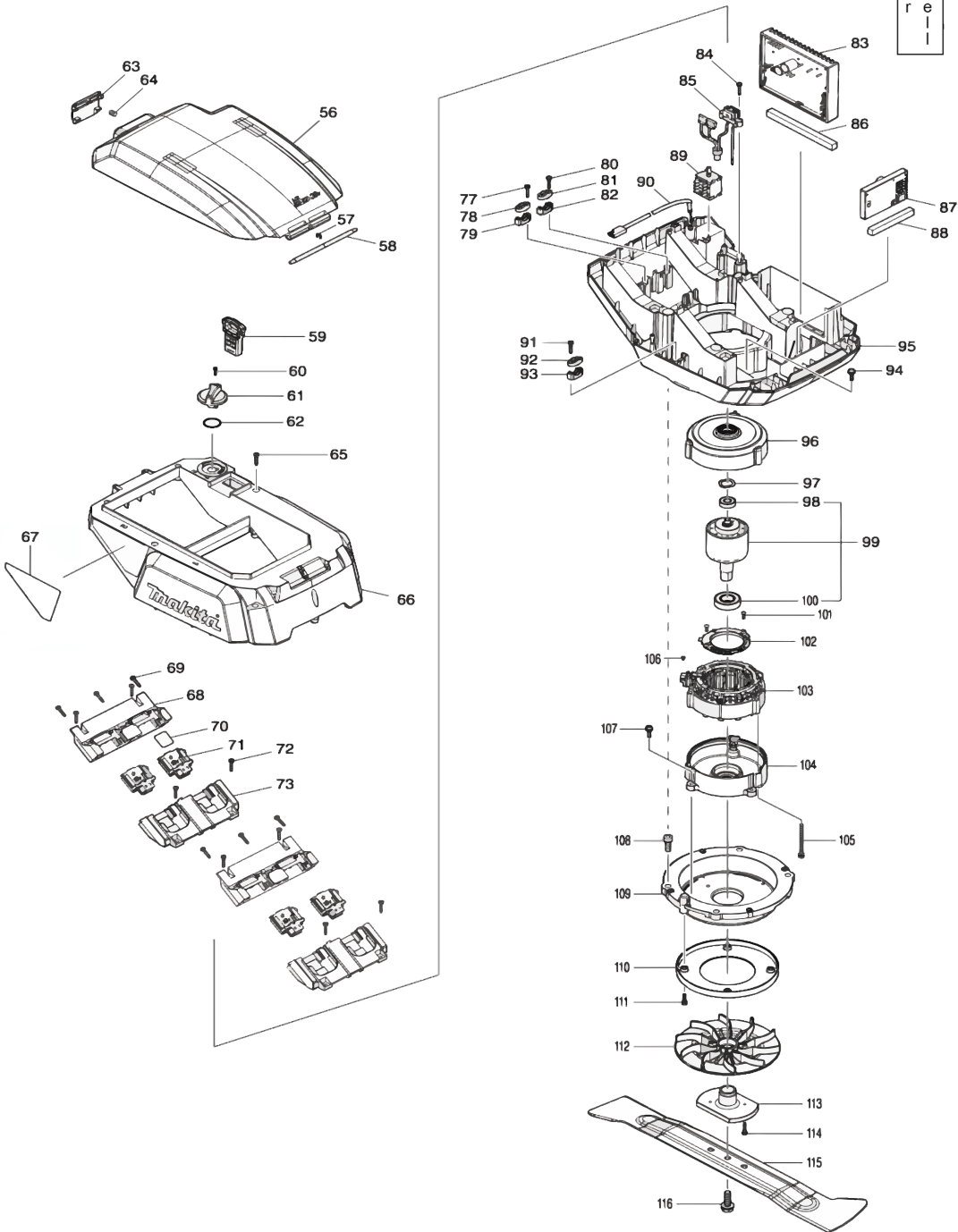
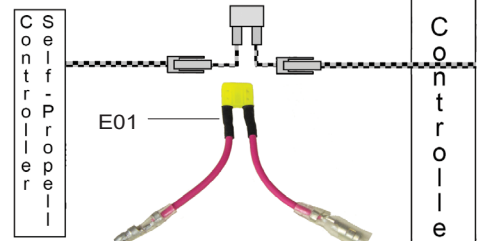
Products with multiple versions are listed in subsiding order with the newest version on top not indented.

Section	Fig. No.	Part No.	Description	XML06	Tech Bulletin	Notes
1	1	327425-6	DRIVING LEVER	1		
1	2	459859-6	DRIVING LEVER HOLDER	1		
1	3	232566-4	TORSION SPRING 12	1		
1	4	911138-5	PAN HEAD SCREW M4X20	1		
1	5	459864-3	DRIVING LEVER SUPPORT L	1		
1	6	267136-0	FLAT WASHER 5	1		
1	7	266424-2	TAPPING SCREW 4X20	1		
1	8	266424-2	TAPPING SCREW 4X20	1		
1	9	267136-0	FLAT WASHER 5	1		
1	10	459858-8	DRIVING LEVER SUPPORT R	1		
1	11	911138-5	PAN HEAD SCREW M4X20	1		
1	12	459859-6	DRIVING LEVER HOLDER	1		
1	13	266424-2	TAPPING SCREW 4X20	6		
1	14	183N90-3	SWITCH BOX SET	1		INC. 26
1	15	140F09-7	SWITCH CIRCUIT COMPLETE	1		
1	16	140F10-2	SWITCH CIRCUIT COMPLETE	1		
1	17	232575-3	TORSION SPRING 12	1		
1	18	266424-2	TAPPING SCREW 4X20	2		
1	19	687124-5	STRAIN RELIEF	1		
1	20	459860-1	SWITCH BOX	1		
1	21	620C48-0	INDICATION CIRCUIT COMPLETE	1		
1	22	620415-1	SUB CONTROLLER	1		
1	23	651083-9	SWITCH C3XA-1PSPM	1		
1	24	459866-9	SPEED LEVER HOLDER	1		
1	25	213897-0	O-RING 26	1		
1	26	183N90-3	SWITCH BOX SET	1		INC. 14
1	27	266424-2	TAPPING SCREW 4X20	5		
1	28	459865-1	SPEED LEVER	1		
1	29	266424-2	TAPPING SCREW 4X20	1		
1	30	911138-5	PAN HEAD SCREW M4X20	1		
1	31	459863-5	SWITCH LEVER SUPPORT L	1		
1	32	327424-8	SWITCH LEVER	1		
1	33	459856-2	SWITCH LEVER SUPPORT R	1		
1	34	911138-5	PAN HEAD SCREW M4X20	1		

Products with multiple versions are listed in subsiding order with the newest version on top not indented.

Section	Fig. No.	Part No.	Description	XML06	Tech Bulletin	Notes
1	35	183P40-0	LEVER BOX SET	1		INC. 41
1	36	459857-0	LOCK OFF BUTTON	1		
1	37	231227-3	COMPRESSION SPRING 15	1		
1	38	632E26-0	SWITCH UNIT	1		
1	39	687124-5	STRAIN RELIEF	1		
1	40	266424-2	TAPPING SCREW 4X20	2		
1	41	183P40-0	LEVER BOX SET	1		INC. 35
1	42	266424-2	TAPPING SCREW 4X20	6		
1	43	699143-9	POWER SUPPLY CORD UNIT	1		
1	44	327421-4	HANDLE UPPER	1		
1	45	252278-3	HEX. CAP NUT M8	1		
1	46	327423-0	HANDLE LOWER	1		
1	47	265A62-3	FLAT HEAD BOLT M8X38	1		
1	48	265A62-3	FLAT HEAD BOLT M8X38	1		
1	49	252278-3	HEX. CAP NUT M8	1		
1	50	459905-5	CLAMP	1		
1	51	921451-3	HEX. BOLT M8X30	2		
1	52	459905-5	CLAMP	1		
1	53	921451-3	HEX. BOLT M8X30	2		
1	54	699142-1	POWER SUPPLY CORD UNIT	1		

Blade Controller

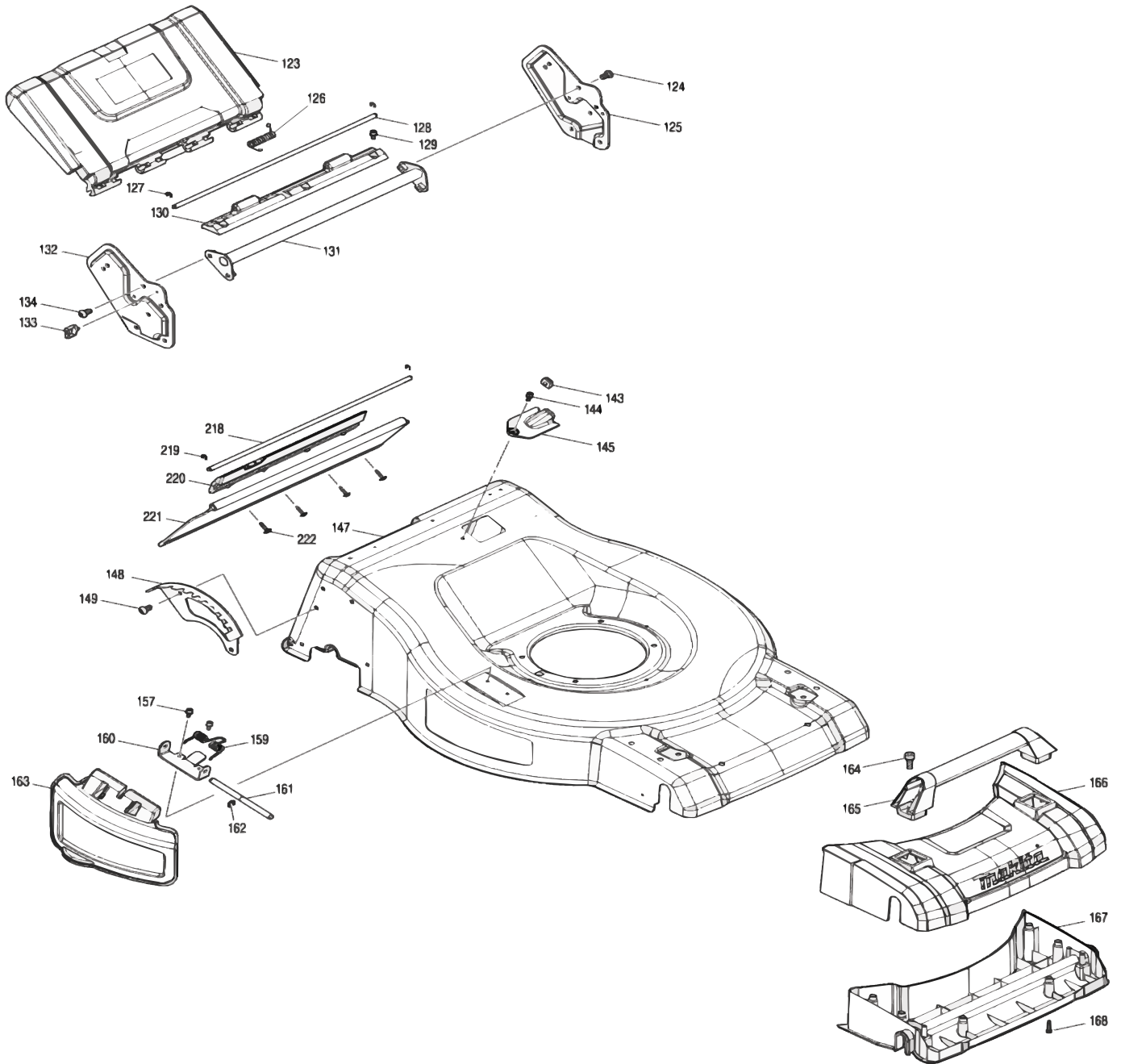


Products with multiple versions are listed in subsiding order with the newest version on top not indented.

Section	Fig. No.	Part No.	Description	XML06	Tech Bulletin	Notes
2	56	140S04-5	BATTERY COVER COMPLETE	1		
2	57	961018-5	STOP RING E-5	1		
2	58	327536-7	ROD 6	1		
2	59	643535-4	KEY	1		
2	60	266404-8	TAPPING SCREW BIND 3X14	1		
2	61	459851-2	SWITCH LEVER	1		
2	62	213896-2	O-RING 24	1		
2	63	459852-0	LOCK LEVER	1		
2	64	231037-8	COMPRESSION SPRING 7	1		
2	65	266424-2	TAPPING SCREW 4X20	7		
2	66	459847-3	COWLING UPPER	1		
2	68	183N78-3	TERMINAL HOUSING SET	2		INC. 73
2	69	266424-2	TAPPING SCREW 4X20	6		
2	70	856P70-1	XML06 SERIAL NO. LABEL	1		
2	71	644809-6	TERMINAL	4		
2	72	266424-2	TAPPING SCREW 4X20	8		
2	73	183N78-3	TERMINAL HOUSING SET	2		INC. 68
2	77	266424-2	TAPPING SCREW 4X20	2		
2	78	687124-5	STRAIN RELIEF	1		
2	79	687051-6	STRAIN RELIEF	1		
2	80	266424-2	TAPPING SCREW 4X20	2		
2	81	687124-5	STRAIN RELIEF	1		
2	82	687051-6	STRAIN RELIEF	1		
2	83	620C44-8	CONTROLLER	1		
2	84	266424-2	TAPPING SCREW 4X20	2		
2	85	632P74-5	LEAD UNIT	1		
2	86	422529-0	SPONGE B	1		
2	87	620C47-2	CONTROLLER	1		
2	88	422528-2	SPONGE A	1		
2	89	651444-3	SWITCH 1703.4703	1		
2	90	699145-5	POWER SUPPLY CORD UNIT	1		
2	91	266424-2	TAPPING SCREW 4X20	2		

Products with multiple versions are listed in subsiding order with the newest version on top not indented.

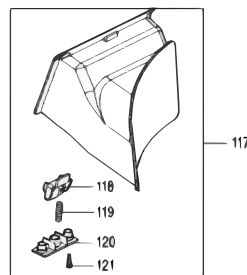
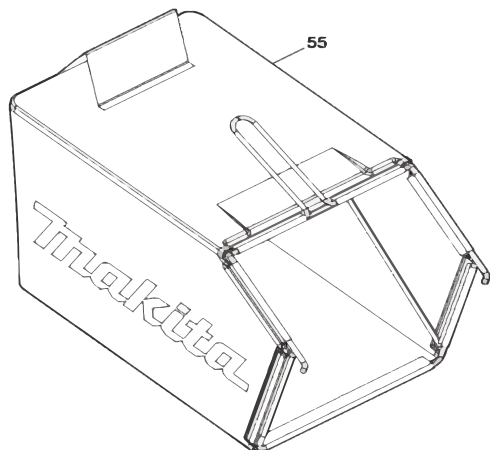
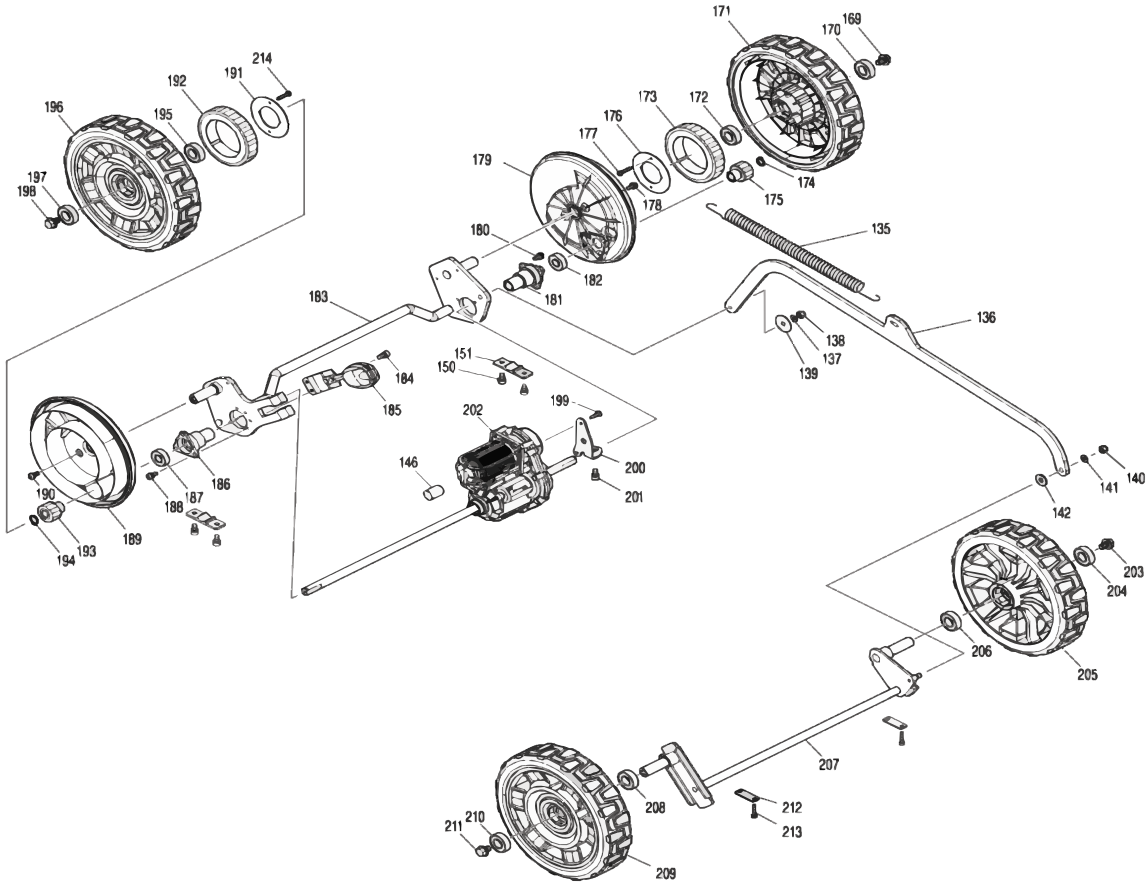
Section	Fig. No.	Part No.	Description	XML06	Tech Bulletin	Notes
2	92	687124-5	STRAIN RELIEF	1		
2	93	687051-6	STRAIN RELIEF	1		
2	94	911233-1	PAN HEAD SCREW M5X20	4		
2	95	459848-1	COWLING LOWER	1		
2	96	319869-4	MOTOR HOUSING UPPER	1		
2	97	253455-0	WAVE WASHER 19	1		
2	98	210141-6	BALL BEARING 6000DDW	1		
2	99	519606-8	ROTOR ASS'Y	1		INC. 98,100
2	100	211387-7	BALL BEARING 6004LLU	1		
2	101	265B29-7	TAPPING SCREW PT 2X8	2		
2	102	620B88-2	CONTROLLER B	1		
2	103	629465-3	STATOR	1		
2	104	319870-9	MOTOR HOUSING LOWER	1		
2	105	911691-1	PAN HEAD SCREW M5X70	3		
2	106	652031-1	PAN HEAD SCREW M3X6	3		
2	107	911233-1	PAN HEAD SCREW M5X20	4		
2	108	922441-9	HEX. SOCKET HEAD BOLT M8X25	4		
2	109	319867-8	MOTOR BRACKET	1		
2	110	459853-8	BAFFLE PLATE	1		
2	111	911126-2	PAN HEAD SCREW M4X16	4		
2	112	240205-2	FAN 170	1		
2	113	319882-2	BLADE SUPPORT	1		
2	114	266424-2	TAPPING SCREW 4X20	2		
2	115	191D51-9	BLADE 460 SET	1		
2	116	265A69-9	HEX. BOLT M10X35 WITH WG	1		
2	E01	632P90-7	INLINE FUSE	1		





Products with multiple versions are listed in subsiding order with the newest version on top not indented.

Section	Fig. No.	Part No.	Description	XML06	Tech Bulletin	Notes
3	123	140R99-2	REAR FLAP COMPLETE	1		
3	124	265B20-5	HEX.SOCKET BUTTON HEAD BOLT M8	4		
3	125	347579-3	HANDLE BRACKET L	1		
3	126	233597-6	TORSION SPRING 8	1		
3	127	961018-5	STOP RING E-5	2		
3	128	327419-1	ROD 6	1		
3	129	922213-2	H.S.H.BOLT M5X12 WITH WR	3		
3	130	459879-0	REAR FLAP HOLDER PLATE	1		
3	131	162693-2	REAR GRIP	1		
3	132	347578-5	HANDLE BRACKET R	1		
3	133	451825-9	CLAMP	1		
3	134	265B20-5	HEX.SOCKET BUTTON HEAD BOLT M8	4		
3	143	422526-6	GROMMET	1		
3	144	922213-2	H.S.H.BOLT M5X12 WITH WR	1		
3	145	459880-5	LEAD COVER	1		
3	146	683A20-1	POLYOLEFIN TUBE	1		
3	147	140S08-7	DECK COMPLETE	1		
3	148	347582-4	HEIGHT ADJUST PLATE	1		
3	149	265B20-5	HEX.SOCKET BUTTON HEAD BOLT M8	2		
3	164	922441-9	HEX. SOCKET HEAD BOLT M8X25	2		
3	165	459870-8	FRONT GRIP	1		
3	166	459873-2	FRONT COVER	1		
3	167	459874-0	DECK UNDER COVER F	1		
3	168	266424-2	TAPPING SCREW 4X20	6		
3	215	459875-8	DECK UNDER COVER R	1		
3	216	266424-2	TAPPING SCREW 4X20	10		
3	217	327419-1	ROD 6	1		
3	218	961018-5	STOP RING E-5	2		
3	219	422539-7	PROTECTIVE SHIELD	1		



Products with multiple versions are listed in subsiding order with the newest version on top not indented.

Section	Fig. No.	Part No.	Description	XML06	Tech Bulletin	Notes
4	55	127505-6	GRASS CATCHER ASSEMBLY	1		
4	117	127515-3	MULCHING PLUG ASSEMBLY	1		INC. 118-121
4	118	459884-7	LOCK LEVER	1		
4	119	231401-3	COMPRESSION SPRING 7	1		
4	120	459885-5	LOCK LEVER SUPPORT	1		
4	121	266424-2	TAPPING SCREW 4X20	2		
4	135	232628-8	TENSION SPRING 16	1		
4	136	347581-6	CONNECTING ROD	1		
4	137	941151-9	FLAT WASHER 6	1		
4	138	252014-7	HEX. LOCK NUT M6-10	1		
4	139	267216-2	FLAT WASHER 8	1		
4	140	252014-7	HEX. LOCK NUT M6-10	1		
4	141	941151-9	FLAT WASHER 6	1		
4	142	253762-1	FLAT WASHER 8	1		
4	150	922311-2	HEX. SOCKET HEAD BOLT M6X12	4		
4	151	313290-9	REAR SHAFT HOLDER COVER	2		
4	169	265324-3	HEX. FLANGE HEAD BOLT M8X12	1		
4	170	211247-3	BALL BEARING 6002DDW	1		
4	171	127513-7	REAR WHEEL ASSEMBLY	1		
4	172	211247-3	BALL BEARING 6002DDW	1		
4	173	226941-4	SPUR GEAR 49	1		
4	174	961052-5	RETAINING RING S-12	1		
4	175	226940-6	SPUR GEAR 12	1		
4	176	347586-6	GEAR HOLDER PLATE	1		
4	177	266424-2	TAPPING SCREW 4X20	2		
4	178	911213-7	PAN HEAD SCREW M5X12	2		
4	179	459867-7	WHEEL CAP	1		
4	180	911213-7	PAN HEAD SCREW M5X12	3		
4	181	327426-4	REAR SHAFT HOLDER	1		
4	182	210163-6	BALL BEARING 6001DDW	2		
4	183	162691-6	REAR SHAFT	1		
4	184	922311-2	HEX. SOCKET HEAD BOLT M6X12	2		
4	185	162694-0	HEIGHT ADJUST LEVER COMPLETE	1		

Products with multiple versions are listed in subsiding order with the newest version on top not indented.

Section	Fig. No.	Part No.	Description	XML06	Tech Bulletin	Notes
4	186	327426-4	REAR SHAFT HOLDER	1		
4	187	210163-6	BALL BEARING 6001DDW	2		
4	188	911213-7	PAN HEAD SCREW M5X12	3		
4	189	459867-7	WHEEL CAP	1		
4	190	911213-7	PAN HEAD SCREW M5X12	2		
4	191	347586-6	GEAR HOLDER PLATE	1		
4	192	226941-4	SPUR GEAR 49	1		
4	193	226940-6	SPUR GEAR 12	1		
4	194	961052-5	RETAINING RING S-12	1		
4	195	211247-3	BALL BEARING 6002DDW	1		
4	196	127513-7	REAR WHEEL ASSEMBLY	1		
4	197	211247-3	BALL BEARING 6002DDW	1		
4	198	265324-3	HEX. FLANGE HEAD BOLT M8X12	1		
4	199	266388-0	TAPPING SCREW 5X16	2		
4	200	347585-8	BRACKET	1		
4	201	922311-2	HEX. SOCKET HEAD BOLT M6X12	1		
4	202	127509-8	DRIVE UNIT ASSEMBLY	1		
4	203	265324-3	HEX. FLANGE HEAD BOLT M8X12	1		
4	204	211247-3	BALL BEARING 6002DDW	1		
4	205	127514-5	FRONT WHEEL ASSEMBLY	1		
4	206	211247-3	BALL BEARING 6002DDW	1		
4	207	162690-8	FRONT SHAFT	1		
4	208	211247-3	BALL BEARING 6002DDW	1		
4	209	127514-5	FRONT WHEEL ASSEMBLY	1		
4	210	211247-3	BALL BEARING 6002DDW	1		
4	211	265324-3	HEX. FLANGE HEAD BOLT M8X12	1		
4	212	341462-6	PLATE	2		
4	213	266424-2	TAPPING SCREW 4X20	4		
4	214	266424-2	TAPPING SCREW 4X20	2		
	A01	327589-6	ROD 6	1		Not Pictured
	A02	782210-8	SOCKET WRENCH 17	1		Not Pictured
	A03	782212-4	SOCKET WRENCH 13	1		Not Pictured
A06C	BL1850B		18V BATTERY, 5.0AH	4		Not Pictured
	E01	632P90-7	FUSE UNIT	1		Not Pictured