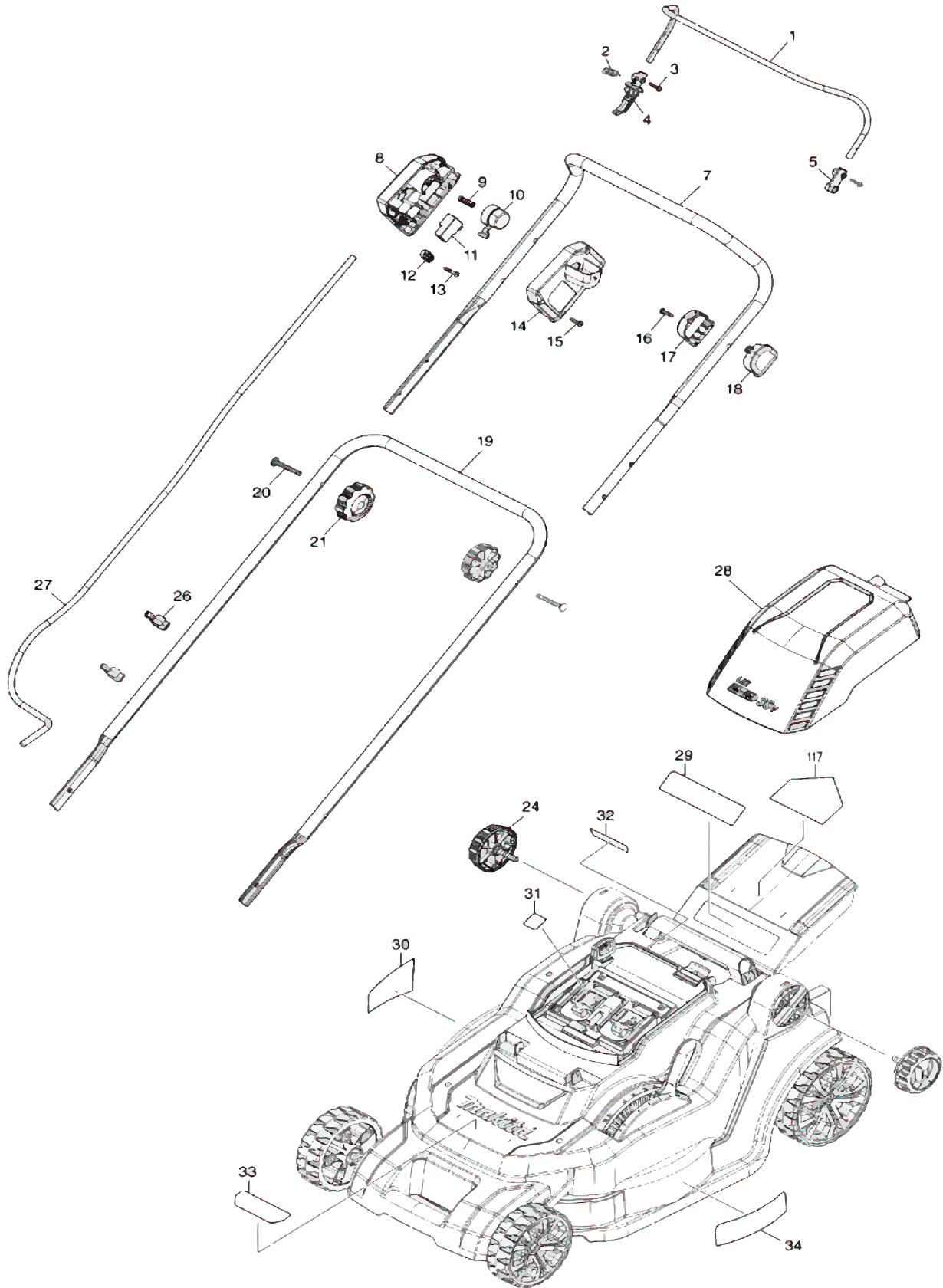


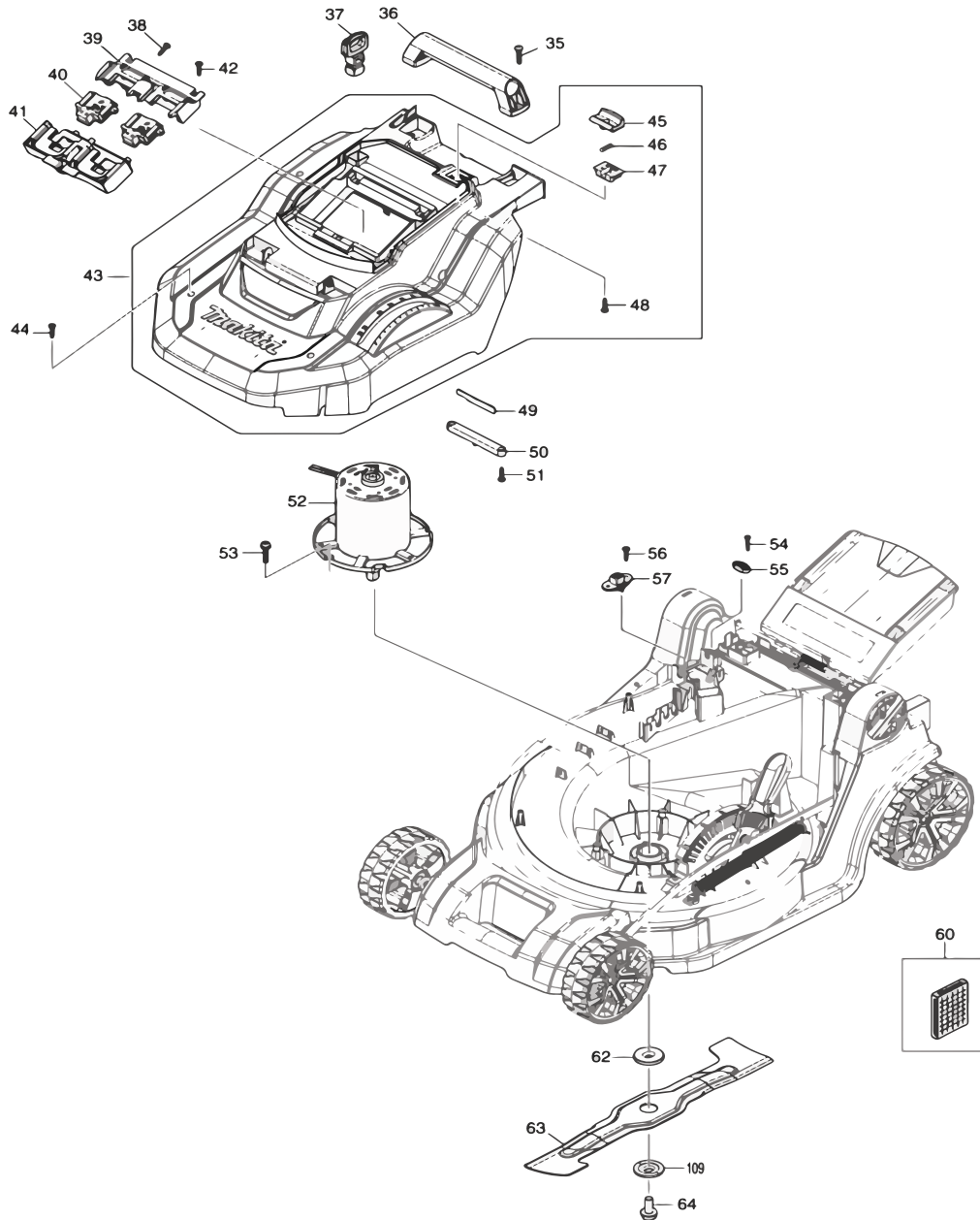


XML05



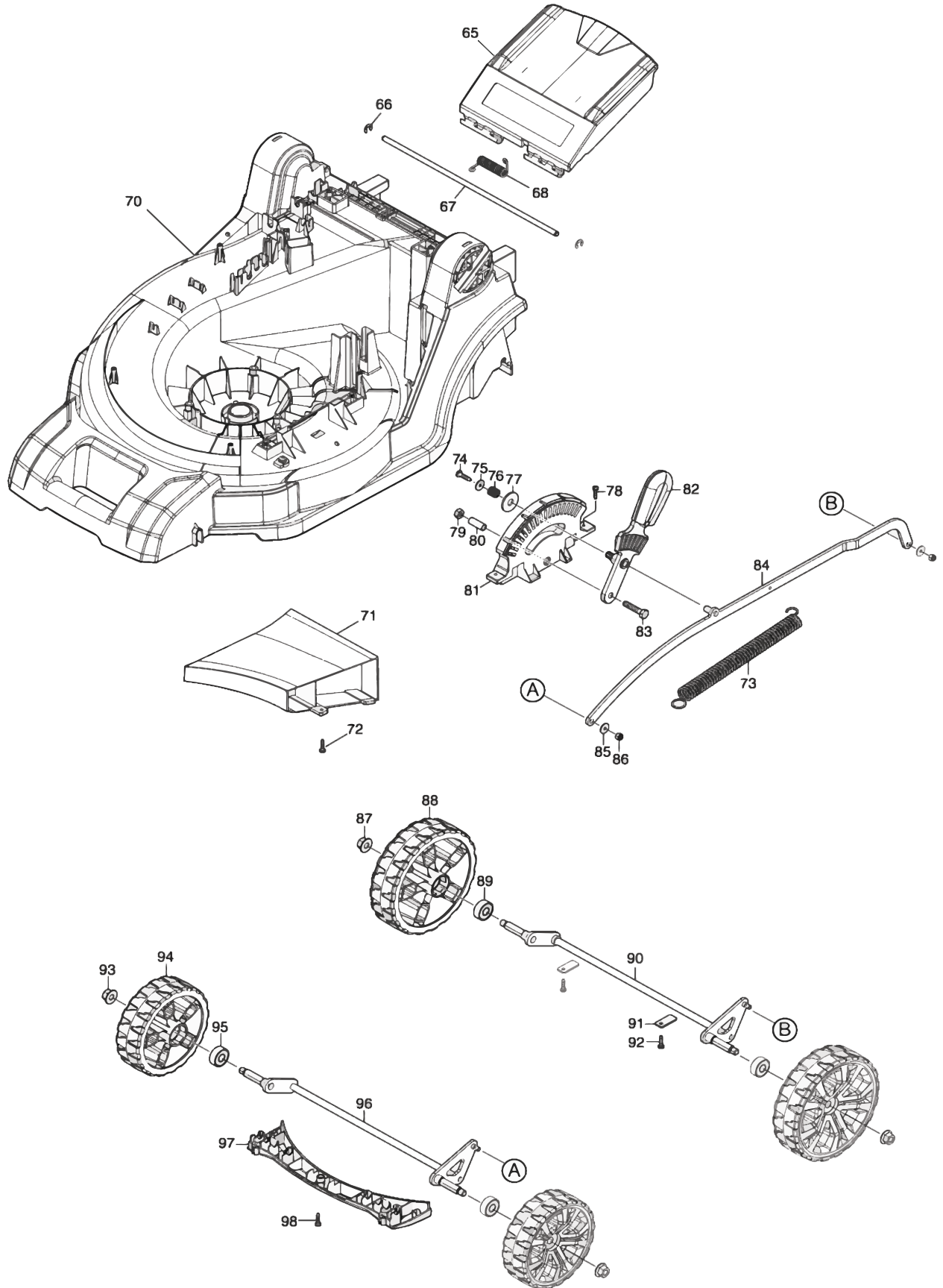
Products with multiple versions are listed in subsiding order with the newest version on top not indented.

Section	Fig. No.	Part No.	Description	XML05	Tech Bulletin	Notes
1	1	326636-0	SWITCH LEVER	1		
1	2	231876-6	TENSION SPRING 9	1		
1	3	911138-5	PAN HEAD SCREW M4X20	2		
1	4	455075-8	LEVER	1		
1	5	455078-2	ARM	1		
1	7	143510-5	UPPER PIPE COMPLETE	1		
1	8	459804-1	SWITCH BOX	1		
1	9	233068-3	COMPRESSION SPRING 6	1		
1	10	455074-0	SWITCH BUTTON	1		
1	11	650730-9	SWITCH TG72BD-6	1		
1	12	687124-5	STRAIN RELIEF	1		
1	13	265999-8	TAPPING SCREW 4X25	2		
1	14	140N15-0	SWITCH BOX COVER COMPLETE K	1		
1	15	266326-2	TAPPING SCREW 4X18	4		
1	16	266326-2	TAPPING SCREW 4X18	1		
1	17	456352-1	SWITCH LEVER CASE COVER	1		
1	18	456351-3	SWITCH LEVER CASE	1		
1	19	326635-2	LOWER PIPE	1		
1	20	265A14-4	CUP H. SQUARE NECK BOLT M6X50	2		
1	21	264070-5	THUMB NUT M6	2		
1	24	266729-0	THUMB SCREW M8X35	2		
1	26	459809-1	HOLDER	2		
1	27	660393-3	POWER SUPPLY CORD	1		
1	28	140N24-9	BATTERY COVER COMPLETE A	1		



Products with multiple versions are listed in subsiding order with the newest version on top not indented.

Section	Fig. No.	Part No.	Description	XML05	Tech Bulletin	Notes
2	35	266459-3	TAPPING SCREW 5X25	2		
2	36	273675-0	GRIP A	1		
2	37	643890-4	KEY	1		
2	38	266326-2	TAPPING SCREW 4X18	3		
2	39	183N35-1	TERMINAL HOUSING SET	1		INC. 41
2	40	644809-6	TERMINAL	2		
2	41	183N35-1	TERMINAL HOUSING SET	1		INC. 39
2	42	266326-2	TAPPING SCREW 4X18	3		
2	43	127390-7	COWLING MA ASSEMBLY	1		INC. 45-48
2	44	266326-2	TAPPING SCREW 4X18	4		
2	45	453250-0	LOCK LEVER	1		
2	46	233173-6	COMPRESSION SPRING 4	1		
2	47	453251-8	LOCK LEVER SUPPORT	1		
2	48	266326-2	TAPPING SCREW 4X18	2		
2	49	620B91-3	LED CIRCUIT	1		
2	50	455070-8	LED COVER	1		
2	51	266326-2	TAPPING SCREW 4X18	2		
2	52	629A18-4	DC MOTOR	1		
2	53	266774-5	PAN HEAD SCREW M6X30 WITH WR	3		
2	54	265999-8	TAPPING SCREW 4X25	2		
2	55	687124-5	STRAIN RELIEF	1		
2	56	266326-2	TAPPING SCREW 4X18	2		
2	57	638946-6	LEAD UNIT	1		
2	60	632P20-8	CONTROLLER UNIT	1		
2	62	224444-2	INNER FLANGE 40	1		
2	63	191D43-8	BLADE 430 SET	1		
2	64	266731-3	HEX. BOLT M10X25	1		
2	109	224445-0	OUTER FLANGE 40	1		

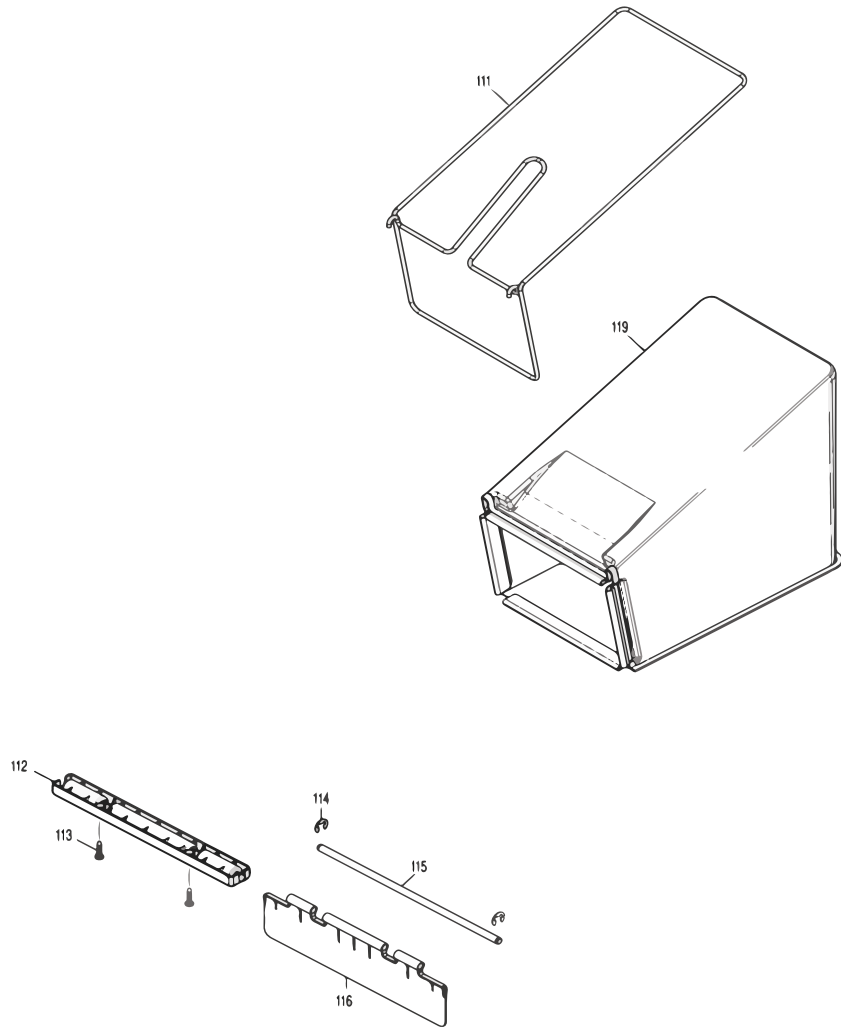


Products with multiple versions are listed in subsiding order with the newest version on top not indented.

Section	Fig. No.	Part No.	Description	XML05	Tech Bulletin	Notes
3	65	140S16-8	REAR FLAP COMPLETE	1		
3	66	961018-5	STOP RING (EXT) E-5	2		
3	67	259067-7	ROD 6	1		
3	68	233597-6	TORSION SPRING 8	1		
3	70	459780-9	DECK	1		
3	71	412272-9	UNDER COVER	1		
3	72	266326-2	TAPPING SCREW 4X18	3		
3	73	231875-8	TENSION SPRING 16	1		
3	74	266326-2	TAPPING SCREW 4X18	1		
3	75	267102-7	FLAT WASHER 4	1		
3	76	231297-2	COMPRESSION SPRING 9	1		
3	77	253808-3	FLAT WASHER 9	1		
3	78	266326-2	TAPPING SCREW 4X18	2		
3	79	931302-2	HEX. NUT M6	1		
3	80	257670-8	SLEEVE 6	1		
3	81	453255-0	ADJUST PLATE	1		
3	82	459099-6	CHANGE LEVER	1		
3	83	921352-5	HEX.BOLT M6X30	1		
3	84	346543-1	CONNECTING ROD	1		
3	85	941101-4	FLAT WASHER 5	2		
3	86	252103-8	HEX. LOCK NUT M5-8	2		
3	87	252145-2	COLLARED HEX. NUT M8	2		
3	88	459101-5	REAR WHEEL	2		
3	89	211066-7	BALL BEARING 6200ZZ	2		
3	89	210070-3	BALL BEARING 6200ZZ	2		
3	90	165669-8	REAR SHAFT	1		
3	91	346545-7	PLATE	2		
3	92	266326-2	TAPPING SCREW 4X18	2		
3	93	252145-2	COLLARED HEX. NUT M8	2		
3	94	459100-7	FRONT WHEEL	2		

Products with multiple versions are listed in subsiding order with the newest version on top not indented.

Section	Fig. No.	Part No.	Description	XML05	Tech Bulletin	Notes
3	95	211066-7	BALL BEARING 6200ZZ	2		
3	95	210070-3	BALL BEARING 6200ZZ	2		
3	96	165668-0	FRONT SHAFT	1		
3	97	456353-9	FRONT COVER	1		
3	98	266326-2	TAPPING SCREW 4X18	5		



Products with multiple versions are listed in subsiding order with the newest version on top not indented.

Section	Fig. No.	Part No.	Description	XML05	Tech Bulletin	Notes
4	111	327410-9	REAR BAG BRAKET	1		
4	112	453257-6	PROTECTIVE SHIELD HOLDER	1		
4	113	266326-2	TAPPING SCREW 4X18	2		
4	114	961013-5	STOP RING E-7	2		
4	115	256872-3	ROD 8	1		
4	116	424481-8	PROTECTIVE SHIELD	1		
4	119	162681-9	REAR BAG MA	1		
	A01	782210-8	SOCKET WRENCH 17	1		Not Pictured
	E01	632D01-0	FUSE UNIT	1		Not Pictured