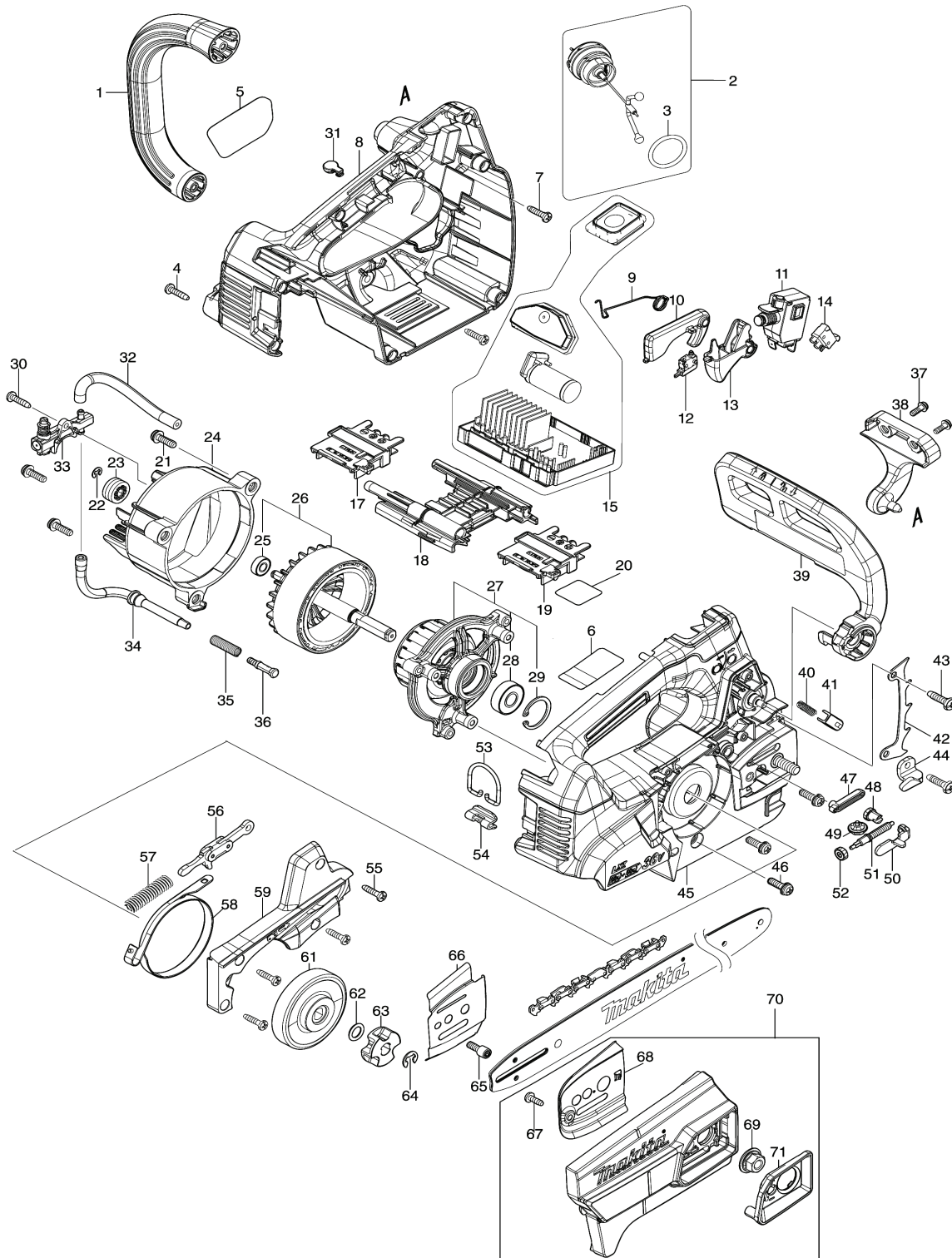




XCU08



Products with multiple versions are listed in subsiding order with the newest version on top not indented.

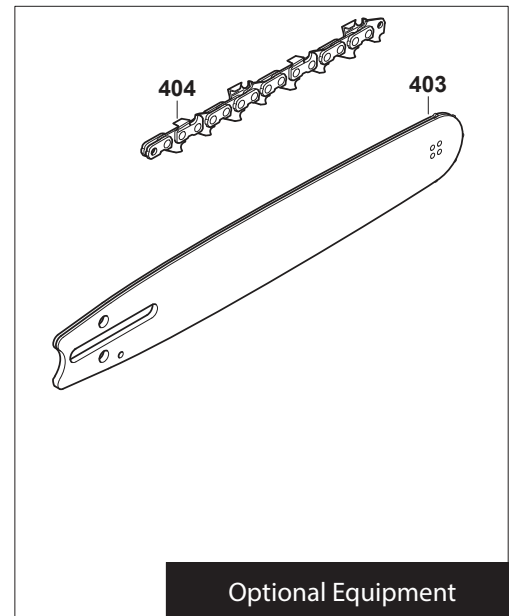
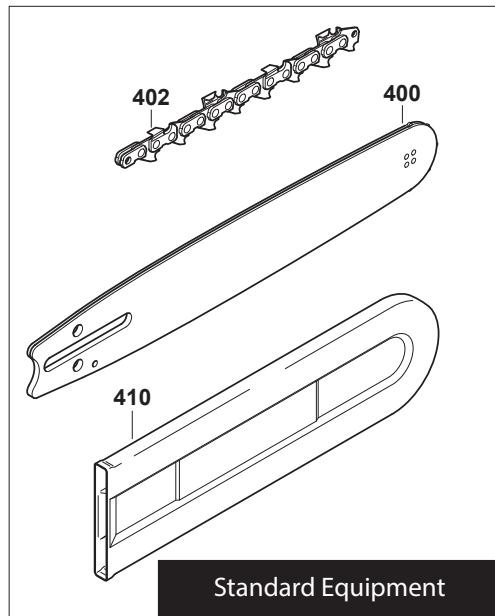
Section	Fig. No.	Part No.	Description	XCU08	Tech Bulletin	Notes
1	1	459275-2	FRONT HANDLE	1		
1	2	126832-8	TANK CAP ASSEMBLY	1		INC. 3
1	3	213355-6	O-RING 25	1		
1	4	266326-2	TAPPING SCREW 4X18	9		
1	5	819S71-8	XCU08 MODEL NO. LABEL	1		
1	6	856A39-5	XCU08 NAME PLATE	1		
1	7	266326-2	TAPPING SCREW 4X18	2		
1	8	183N16-5	HOUSING SET	1		INC. 45
1	9	232509-6	TORSION SPRING 10	1		
1	10	459268-9	CATCH LEVER	1		
1	11	651365-9	SWITCH C3JW-6BM-P	1		
1	12	632L49-0	SWITCH UNIT	1		
1	13	459267-1	SWITCH LEVER	1		
1	14	632L48-2	SWITCH UNIT	1		
1	15	140K84-3	CONTROLLER COMPLETE	1		
1	17	643874-2	TERMINAL	1		
1	18	140K81-9	CENTER CASE COMPLETE	1		
1	19	643874-2	TERMINAL	1		
1	20	856A44-2	XCU08 SERIAL NO. LABEL	1		
1	21	911228-4	PAN HEAD SCREW M5X18	3		
1	22	961011-9	STOP RING E-4	1		
1	23	226884-0	WORM GEAR	1		
1	24	459276-0	MOTOR HOUSING	1		
1	25	210026-6	BALL BEARING 696ZZ	1		
1	26	519576-1	ROTOR ASS'Y	1		INC. 25
1	27	529420-4	STATOR ASS'Y	1		INC. 28,29
1	28	210059-1	BALL BEARING 6000DDW	1		
1	29	962105-3	RETAINING RING R-26	1		
1	30	266326-2	TAPPING SCREW 4X18	1		
1	31	422467-6	CAP	1		
1	32	422451-1	OIL TUBE 3-100	1		
1	33	142156-4	OIL PUMP COMPLETE	1		

Products with multiple versions are listed in subsiding order with the newest version on top not indented.

Section	Fig. No.	Part No.	Description	XCU08	Tech Bulletin	Notes
1	34	422452-9	OIL TUBE 3-130	1		
1	35	231975-4	SPRING	1		
1	36	452666-6	NIPPLE	1		
1	37	911118-1	PAN HEAD SCREW M4X12	2		
1	38	459270-2	FRONT HAND GUARD RETAINER	1		
1	39	140K80-1	FRONT HAND GUARD COMPLETE	1		
1	40	234210-9	COMPRESSION SPRING 3	1		
1	41	313212-9	HAND GUARD GUIDE	1		
1	42	346809-9	SPIKE BUMPER	1		
1	43	266420-0	TAPPING SCREW 5X20	2		
1	44	347516-7	CHAIN CATCHER	1		
1	45	183N16-5	HOUSING SET	1		INC. 8
1	46	911228-4	PAN HEAD SCREW M5X18	3		
1	47	422466-8	GROMET	1		
1	48	227620-7	DRIVE GEAR	1		
1	49	227634-6	STRAIGHT BEVEL GEAR 14	1		
1	50	347517-5	TENSION SLIDE	1		
1	51	327317-9	ADJUST SCREW	1		
1	52	227496-2	STRAIGHT BEVEL GEAR 14	1		
1	53	281222-3	HOOK	1		
1	54	347514-1	HOOK SUPPORT	1		
1	55	266326-2	TAPPING SCREW 4X18	4		
1	56	140A74-6	LINK PLATE COMPLETE	1		
1	57	232452-9	COMPRESSION SPRING 7	1		
1	58	347515-9	BRAKE BAND COMPLETE	1		
1	59	459273-6	HOUSING R COVER	1		
1	61	162638-0	BRAKE DRUM COMPLETE	1		
1	62	213060-5	O RING 10	1		
1	63	221464-7	SPROCKET 6	1		
1	64	961013-5	STOP RING E-7	1		
1	65	266905-6	H.L. SOCKET HEAD BOLT M5X12	1		
1	66	347533-7	GUIDE PLATE L	1		
1	67	266427-6	TAPPING SCREW 4X12	1		

Products with multiple versions are listed in subsiding order with the newest version on top not indented.

Section	Fig. No.	Part No.	Description	XCU08	Tech Bulletin	Notes
1	68	347534-5	GUIDE PLATE R	1		
1	69	162494-8	FLANGE NUT COMPLETE	1		
1	70	136138-6	SPROCKET COVER ASS'Y	1		INC. 67-69,71
1	71	459278-6	NUT COVER	1		



Products with multiple versions are listed in subsiding order with the newest version on top not indented.

Section	Fig. No.	Part No.	Description	XCU08	Tech Bulletin	Notes
2	400	E-00072	14" GUIDE BAR	1		Standard Equipment
2	400	165246-6	14" GUIDE BAR	1		Standard Equipment
2	402	E-00228	SAW CHAIN SET	1		Standard Equipment
2	402	196741-5	SAW CHAIN SET	1		Standard Equipment
2	403	E-00066	GUIDE BAR 12" 3/8 .043	1		
2	403	165245-8	GUIDE BAR 12" 3/8 .043	1		
2	403	163150-3	GUIDE BAR 12" 3/8 .050	1		
2	403	E-00088	GUIDE BAR 14" 3/8 .050	1		
2	403	165201-8	GUIDE BAR 14" 3/8 .050	1		
2	403	E-00094	GUIDE BAR 16" 3/8 .043	1		
2	403	165247-4	GUIDE BAR 16" 3/8 .043	1		
2	403	E-00103	GUIDE BAR 16" 3/8 .050	1		
2	403	442-040-661	GUIDE BAR 16" 3/8 .050	1		
2	404	E-02440	SAW CHAIN SET 12" 3/8 .043	1		
2	404	531-291-646	SAW CHAIN SET 12" 3/8 .043	1		
2	404	196519-6	SAW CHAIN SET 12" 3/8 .050	1		
2	404	E-00234	SAW CHAIN SET 14" 3/8 .050	1		
2	404	196207-5	SAW CHAIN SET 14" 3/8 .050	1		
2	404	E-00240	SAW CHAIN SET 16" 3/8 .043	1		
2	404	196742-3	SAW CHAIN SET 16" 3/8 .043	1		
2	404	E-00256	SAW CHAIN SET 16" 3/8 .050	1		
2	404	196208-3	SAW CHAIN SET 16" 3/8 .050	1		
2	410	419242-9	CHAIN PROCTER 14-16"	1		Standard Equipment
2	410	952-010-630	CHAIN PROCTER 14-16"	1		Standard Equipment