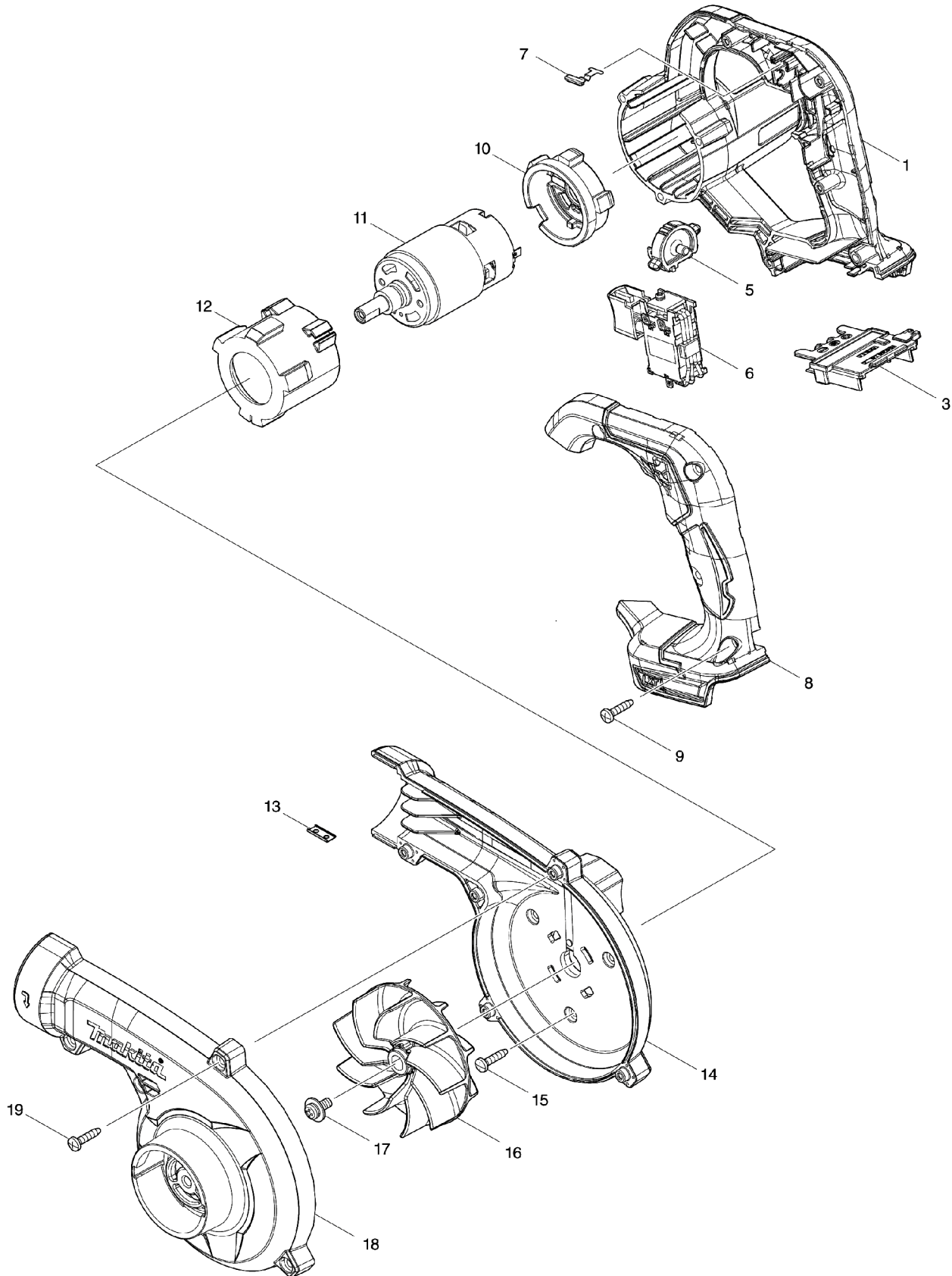




**XBU05**



Products with multiple versions are listed in subsiding order with the newest version on top not indented.

Section	Fig. No.	Part No.	Description	XBU05	Tech Bulletin	Notes
1	1	183P63-8	MOTOR HOUSING SET	1		INC. 8
1	3	643874-2	TERMINAL	1		
1	5	412573-5	DIAL	1		
1	6	632R68-2	SWITCH UNIT	1		
1	7	232620-4	LEAF SPRING	1		
1	8	183P63-8	MOTOR HOUSING SET	1		INC. 1
1	9	266326-2	TAPPING SCREW 4X18	5		
1	10	422589-2	MOTOR RUBBER RING B	1		
1	11	629484-9	DC MOTOR	1		
1	12	422588-4	MOTOR RUBBER RING A	1		
1	13	345998-7	SET PLATE	1		
1	14	140U74-6	FAN HOUSING COMPLETE	1		
1	15	266326-2	TAPPING SCREW 4X18	3		
1	16	240210-9	FAN 85	1		
1	17	265B25-5	PAN HEAD SCREW M5X12 WITH WG	1		
1	18	412572-7	FAN COVER	1		
1	19	266326-2	TAPPING SCREW 4X18	5		
1	A01	123245-4	NOZZLE ASS'Y	1		NOT PICTURED
1	A02	454703-2	JOINT	1		NOT PICTURED
1	A03	123241-2	DUST BAG	1		NOT PICTURED