

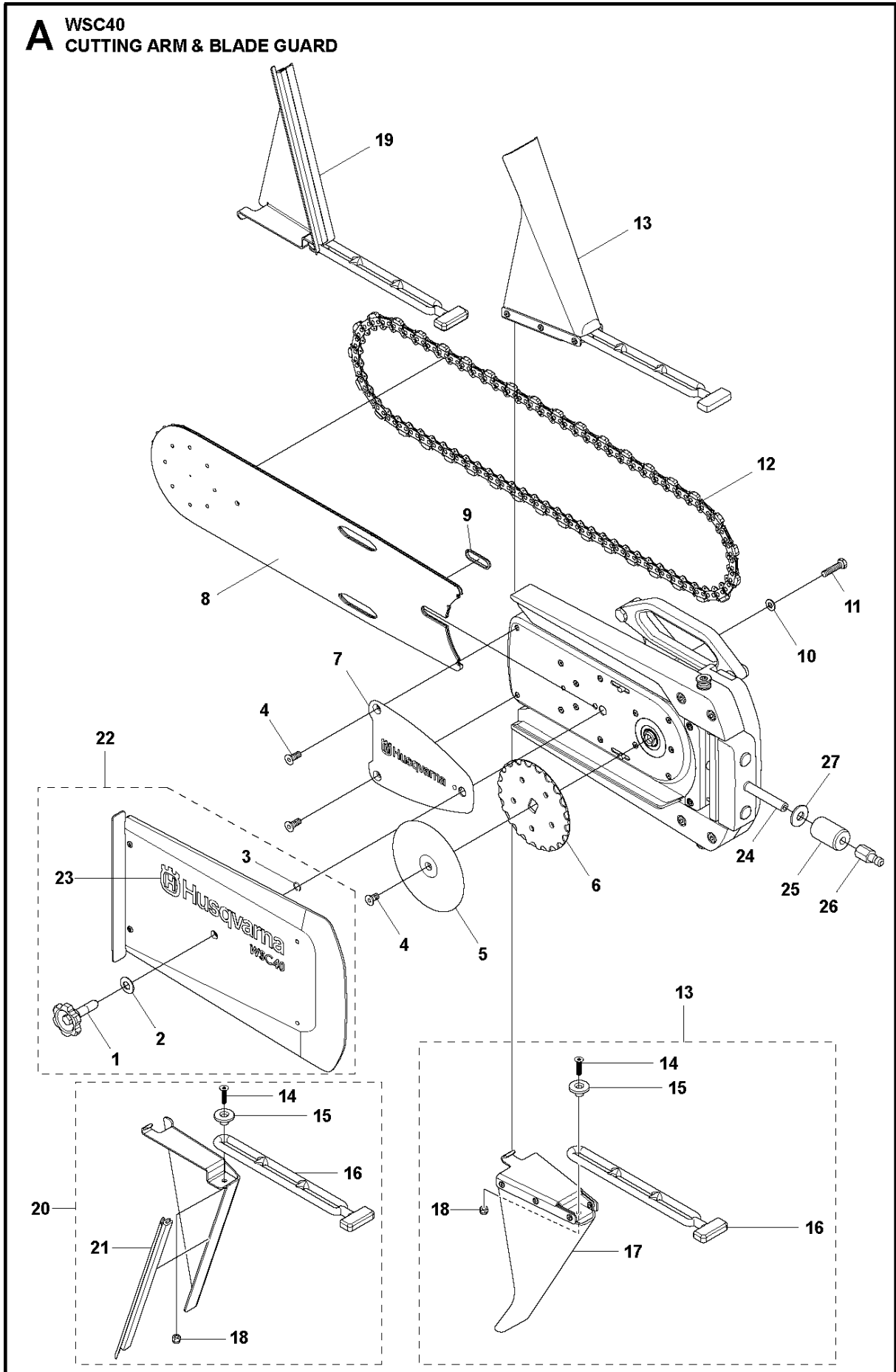


SPARE PARTS LIST

WALL SAWS

WSC40, 967252301, 2019-06

A WSC40
CUTTING ARM & BLADE GUARD

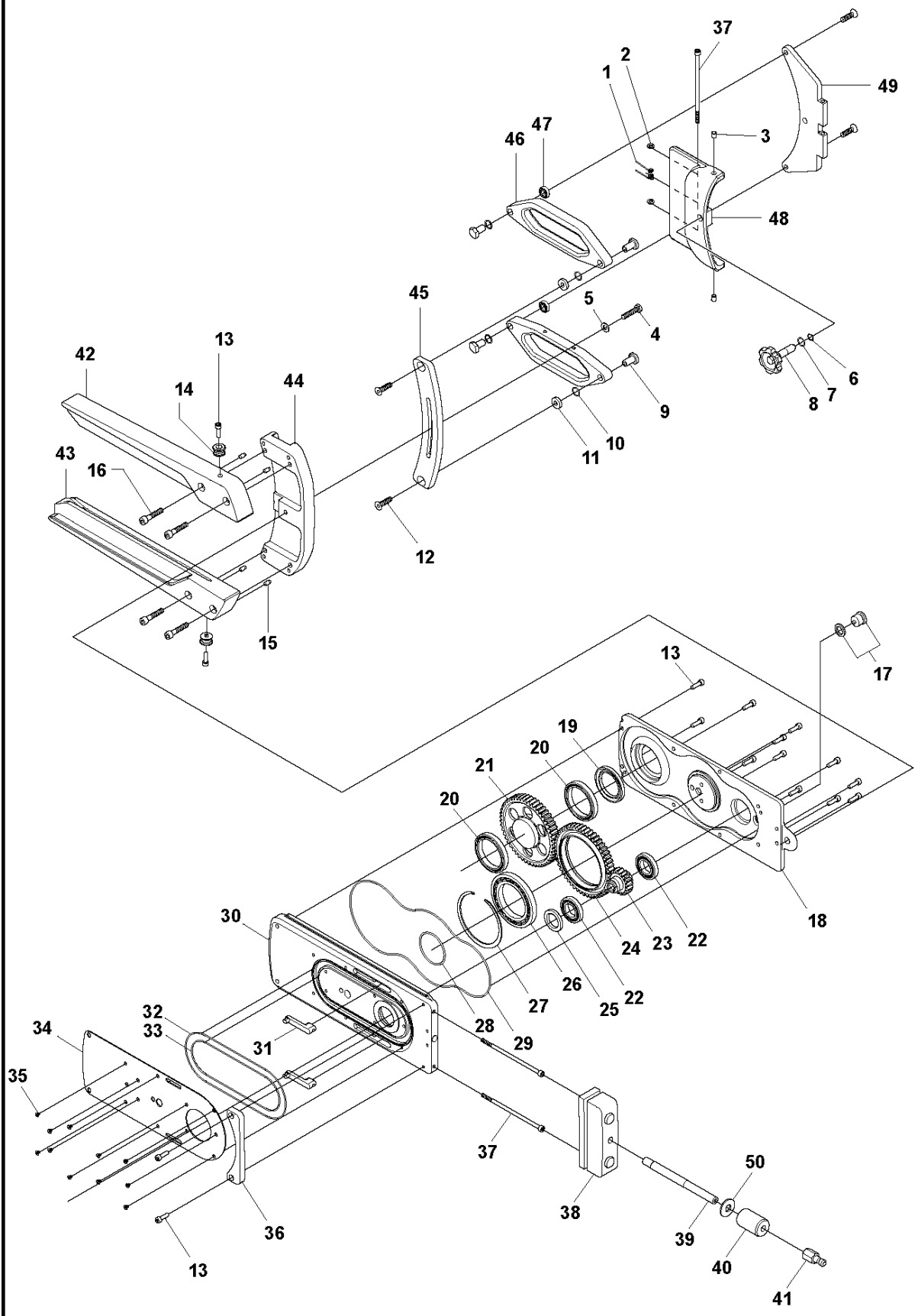


CUTTING ARM & BLADE GUARD

WSC40, 967252301, 2019-06

Ref	Part No	Description	Remark	QTY	KIT
1	586 50 16-01	LOCKING SCREW		1	22
2	582 29 43-01	COMPRESSION SPRING		1	22
3	580 74 62-01	SNAP RING		1	22
4	725 64 49-51	SCREW IHCSFM		3	
5	584 47 61-01	CLAMP		1	
6	584 27 63-01	DRIVE SPROCKET		1	
7	584 27 53-01	CLAMP		1	
8	589 00 00-01	GUIDE BAR		1	
9	582 03 94-01	GASKET		1	
10	734 11 63-01	WASHER		1	
11	531 11 92-20	SCREW		1	
12	588 15 04-03	DIAMOND CHAIN		1	
13	582 29 49-01	CHAIN CATCHER		2	
14	725 63 72-51	SCREW IHCSFM		4	13, 20
15	581 84 94-01	GUIDE BUSHING		4	13, 20
16	576 64 73-01	STRAP		4	13, 20
17	582 23 33-01	CHAIN CATCHER		2	13
18	732 25 16-01	HEXAGON LOCKING NUT		4	13, 20
19	582 34 17-01	GUARD		1	
20	582 34 16-01	GUARD		1	
21	592 76 96-01	PROFILE		2	20
22	582 90 46-01	TRANSMISSION COVER		1	
23	504 02 99-14	LABEL		1	22
24	584 27 57-01	INLET PIPE		1	
25	584 27 58-01	HANDLE		1	
26	531 11 82-18	QUICK COUPLING		1	
27	531 11 94-46	WASHER		1	

B WSC40
HOUSING

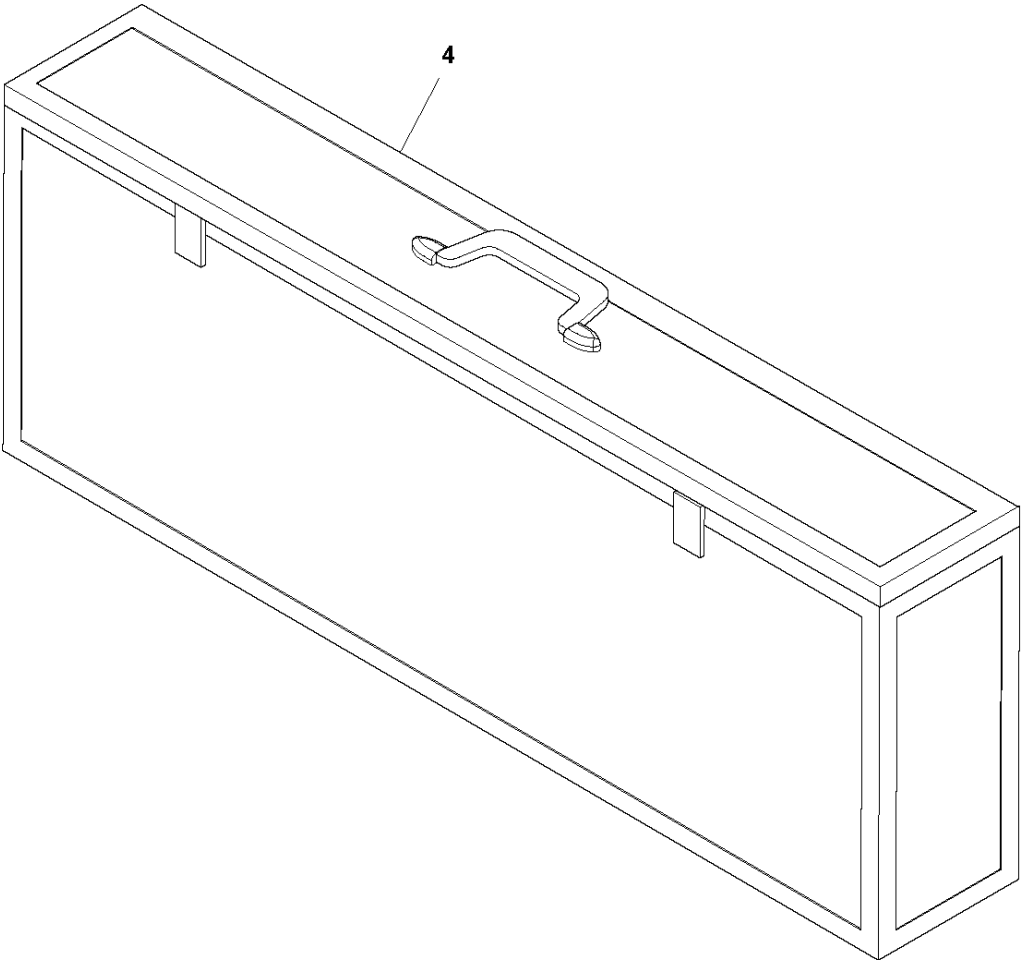
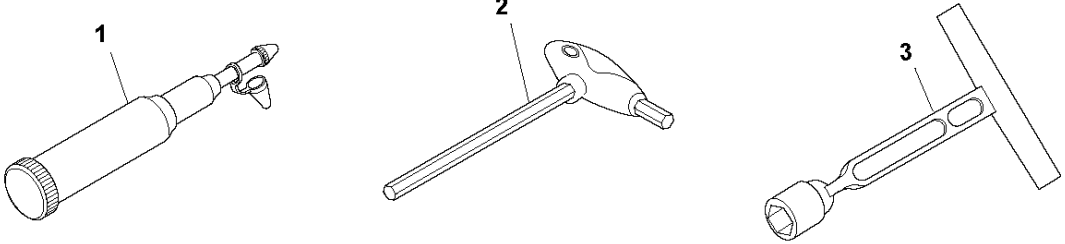


HOUSING

WSC40, 967252301, 2019-06

Ref	Part No	Description	Remark	QTY KIT
1	582 26 22-01	SPIRAL SPRING		1
2	734 11 52-01	WASHER		2
3	582 26 21-01	SPRING RETAINER		2
4	531 11 92-20	SCREW		1
5	734 11 63-01	WASHER		1
6	580 74 62-01	SNAP RING		1
7	740 42 06-00	O-RING		1
8	586 50 16-01	LOCKING SCREW		1
9	584 27 62-01	GUIDE BUSHING		4
10	740 42 11-00	O-RING		8
11	584 27 61-01	SEALING WASHER		4
12	531 14 06-95	SCREW		4
13	725 53 70-01	SCREW IHSCM		16
14	531 12 23-43	STRAP		2
15	504 90 83-26	PIN		4
16	725 54 59-01	SCREW IHSCM		4
17	531 11 81-13	PLUG		1
18	584 27 49-02	GEARBOX		1
19	584 28 58-01	RADIAL SEAL		1
20	584 28 60-01	BALL BEARING		2
21	584 27 50-01	GEAR WHEEL		1
22	531 11 94-41	BEARING		2
23	584 27 51-01	GEAR WHEEL		1
24	522 52 62-01	DRIVER		1
25	584 28 59-01	RADIAL SEAL		1
26	574 45 20-01	BEARING		1
27	574 45 32-01	SNAP RING		1
28	574 45 30-01	O-RING		1
29	584 28 55-01	O-RING		1
30	584 27 49-01	GEARBOX		1
31	584 27 54-01	CHAIN TENSIONER		2
32	584 28 56-01	O-RING		1
33	584 28 57-01	O-RING		1
34	584 27 52-01	TRANSMISSION COVER		1
35	725 62 85-01	SCREW IHCSFM		11
36	584 27 60-01	EDGER PROTECTION		1
37	584 28 54-01	SCREW IHSCM		3
38	582 90 49-01	CROSSBAR		1
39	584 27 57-01	INLET PIPE		1
40	584 27 58-01	HANDLE		1
41	531 11 82-18	QUICK COUPLING		1
42	584 27 72-01	STRUT		1
43	584 27 72-02	STRUT		1
44	584 27 73-01	HOLDER		1
45	584 27 55-01	ANGLE LIMITER		1
46	584 27 74-01	PARALLEL ROD		2
47	584 27 61-01	SEALING WASHER		4
48	586 50 08-01	CLAMP		1
49	584 27 75-01	ATTACHMENT PLATE		1
50	531 11 94-46	WASHER		1

C WSC40
ACCESSORIES



ACCESSORIES

WSC40, 967252301, 2019-06

Ref	Part No	Description	Remark	QTY KIT
1	531 11 91-08	GREASE GUN		1
2	582 26 24-01	TOOL		1
3	582 26 23-01	TOOL		1
4	587 14 45-01	CARRYING CASE		1