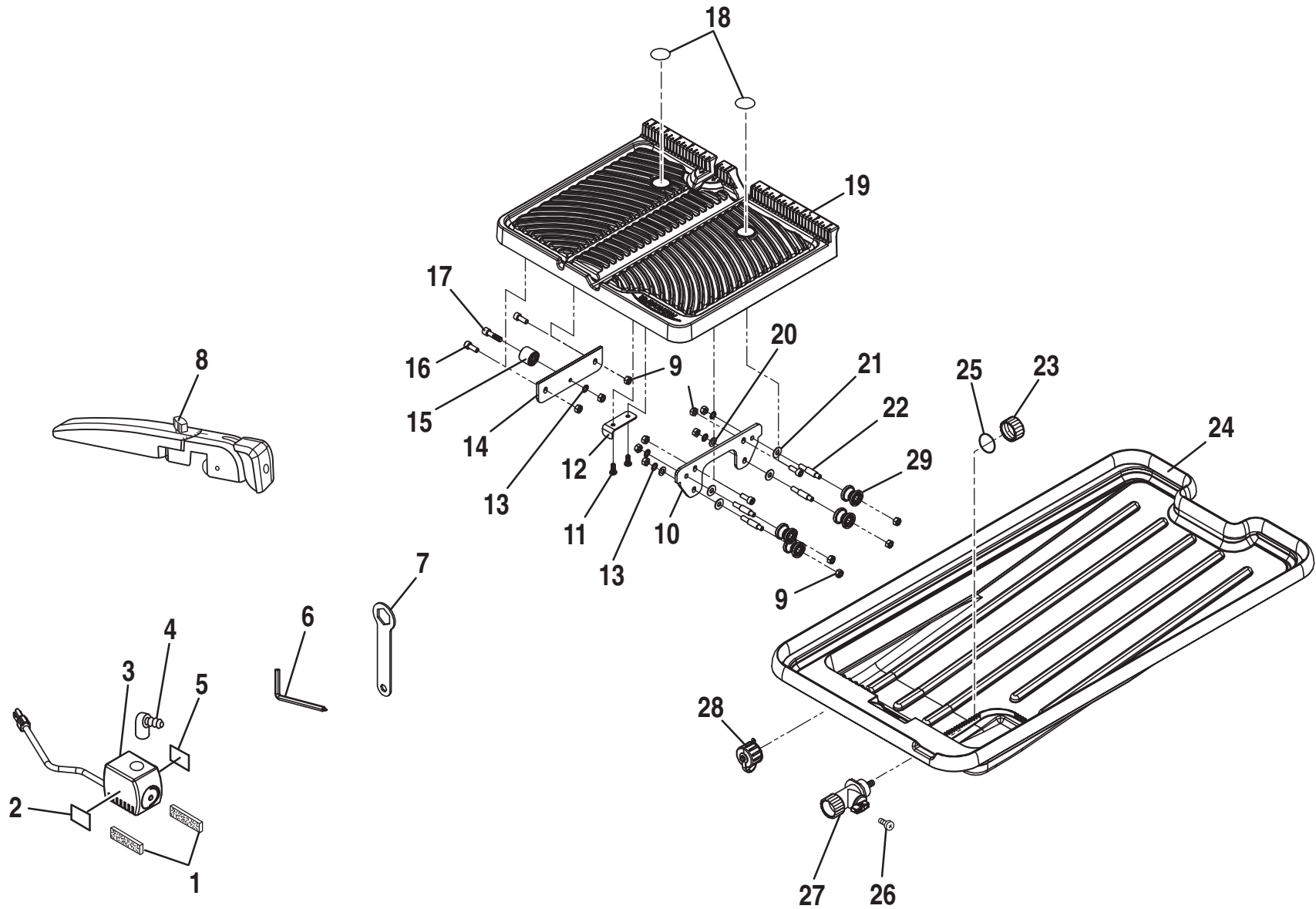


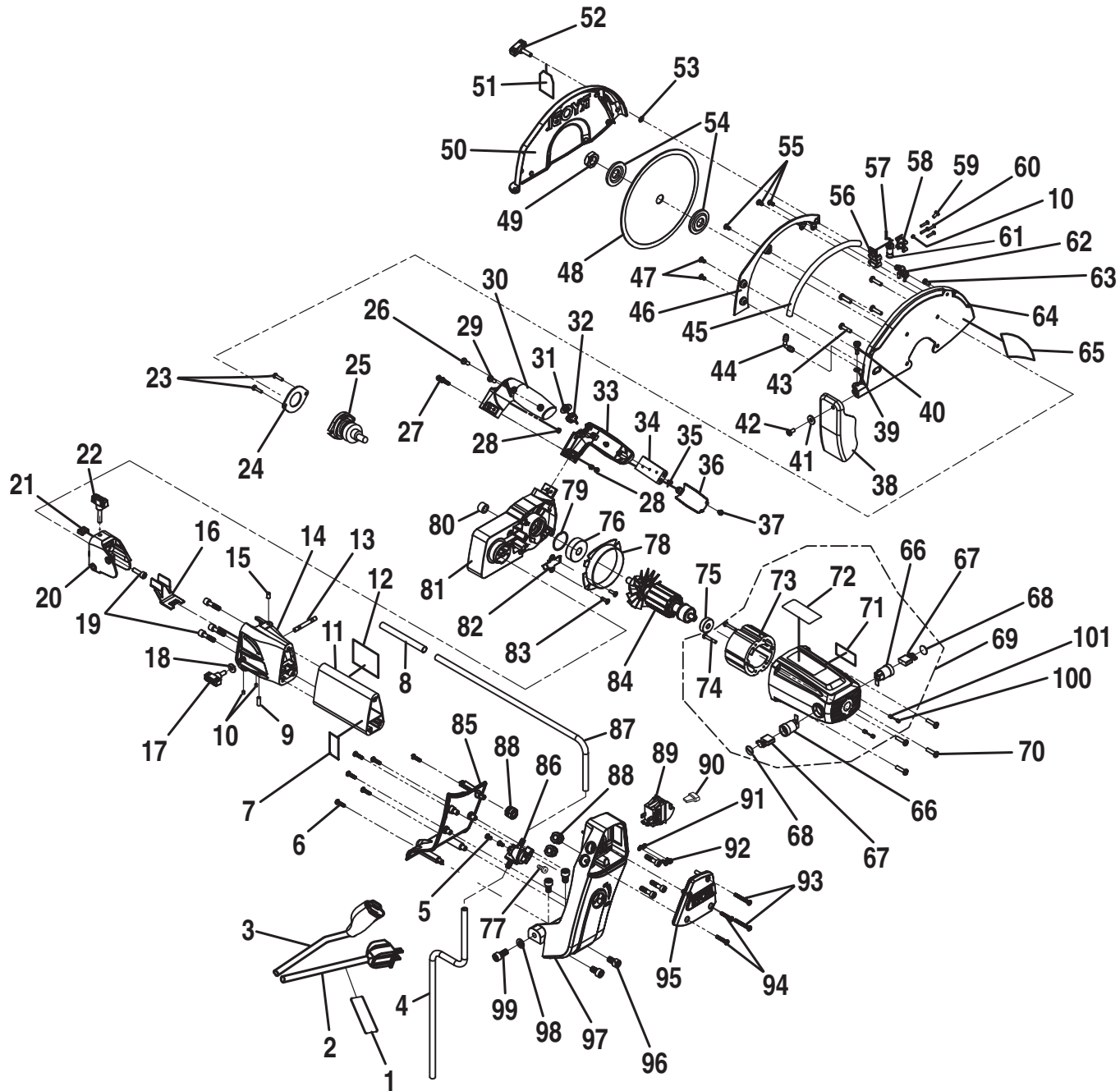
RYOBI TILE SAW – MODEL NUMBER WS750L

FIGURE A



RYOBI TILE SAW - MODEL NUMBER WS750L

FIGURE B



RYOBI TILE SAW – MODEL NUMBER WS750L

The model number will be found on a plate attached to the extrusion. Always mention the model number in all correspondence regarding your **TILE SAW** or when ordering repair parts.

PARTS LIST FOR FIGURE B

KEY NO.	PART NUMBER	DESCRIPTION	QTY.	KEY NO.	PART NUMBER	DESCRIPTION	QTY.
1	080009002910	Danger Label (GFCI).....	1	29	080009004102	Screw (M5 x 10 mm, Pan Hd.)	1
2	080009004709	Power Cord (Inc. Key No. 1)	1	30	080009004034	Upper Handle	1
3	080009004703	Pump Receptacle (Pigtail)	1	31	080009004040	Switch Cover	1
4	080009004018	Hose (325 mm)	1	32	080009004039	Laser Switch.....	1
5	080009004059	Screw (M4 x 10 mm, Pan Hd.)	1	33	080009004041	Lower Handle	1
6	080009004052	Screw (M4 x 16 mm, Pan Hd.)	6	34	080009004037	Battery Compartment.....	1
7	080009004908	Warning Label	1	35	080009004038	Screw (M3 x 8 mm, Pan Hd.)	1
8	080009004046	Sleeve (100 mm).....	1	36	080009004043	Battery Compartment Cover	1
9	080009004065	Screw (M5 x 14 mm, Hex Socket Hd.)	1	37	080009004044	Screw (M4 x 6 mm, Pan Hd.)	1
10	080009004031	Screw (M4 x 5 mm, Hex Socket Hd.)	3	38	080009004027	Splash Guard.....	1
11	080009004710	Extrusion (Inc. Key No. 7).....	1	39	080009004026	Washer (D7 x D10 X 1t)	1
12	080009004901	Data Label	1	40	080009004022	Blade Guard Pivot Shaft.....	1
13	080009004057	Knuckle Pivot Shaft	1	41	080009002065	Washer (M5)	1
14	080009004063	Support Bracket	1	42	080009004028	Screw (M5 x 12 mm, Pan Hd.)	1
15	080009004101	Screw (M5 x 8 mm, Hex Socket Hd.)	1	43	080009002121	Screw (M5 x 12 mm, Pan Hd.)	4
16	080009004064	Separation Plate.....	1	44	080009004016	Elbow.....	1
17	080009004060	Support Arm Detent Knob.....	1	45	080009004017	Hose (215 mm)	1
18	080009004066	Washer (D6.5 X D16 X 2t).....	1	46	080009004019	Hose Cover.....	1
19	080009002042	Screw (M6 x 25 mm, Special).....	4	47	080009002072	Screw (M4 x 6 mm, Pan Hd.)	2
20	080009004056	Knuckle.....	1	48	080009002061	Blade	1
21	080009004061	Stop Block.....	1	49	080009002063	Hex Nut (Blade)	1
22	080009004105	Support Arm Knob	1	50	080009004708	Outer Blade Cover Assembly (Inc. Key Nos. 51-53).....	1
23	080009004012	Screw (M6 x 16 mm, Pan Hd.)	2	51	080009004910	Laser Warning Label	1
24	080009002058	Bearing Cover.....	1	52	080009004023	Blade Guard Knob.....	1
25	080009004013	Gear Shaft Assembly.....	1	53	080009004024	Push Nut.....	1
26	080009004042	Screw (M5 x 14 mm, Pan Hd.)	1	54	080009004020	Blade Flange	2
27	080009004035	Screw (M4 x 20 mm, Pan Hd.)	2	55	080009002072	Screw (M4 x 6 mm, Pan Hd.)	3
28	080009004036	Hex Nut (M4)	3				

RYOBI TILE SAW – MODEL NUMBER WS750L

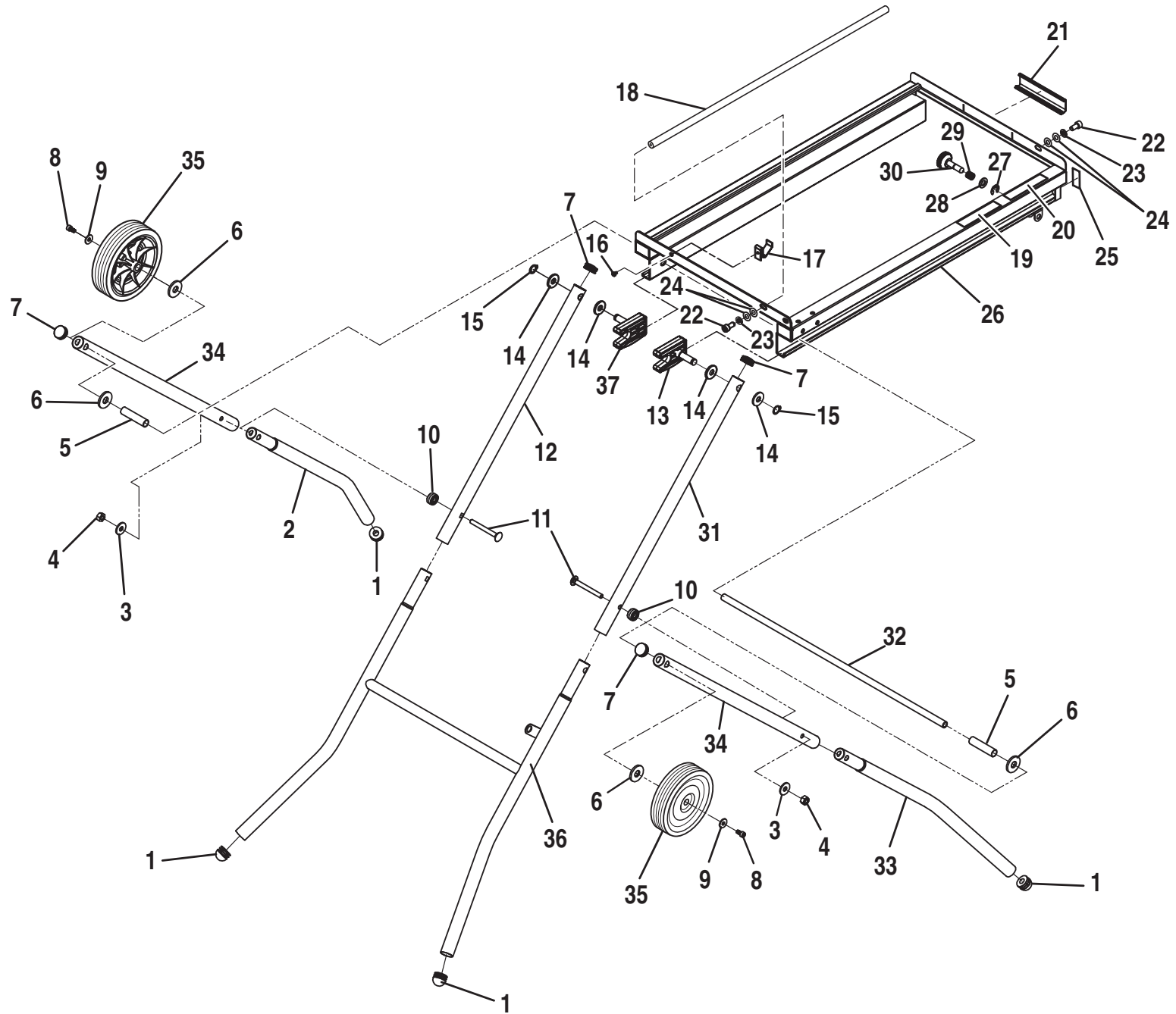
The model number will be found on a plate attached to the extrusion. Always mention the model number in all correspondence regarding your **TILE SAW** or when ordering repair parts.

PARTS LIST FOR FIGURE B

KEY NO.	PART NUMBER	DESCRIPTION	QTY.	KEY NO.	PART NUMBER	DESCRIPTION	QTY.
56	080009004029	Lower Laser Bracket	1	79	080009002053	O-Ring	1
57	080009004701	Laser Wire Assembly.....	1	80	080009002050	Needle Bearing.....	1
58	080009004030	Upper Laser Bracket	1	81	080009004008	Gear Box	1
59	080009002031	Screw (M4 x 8 mm, Pan Hd.)	1	82	080009004010	Motor Outlet Cover.....	1
60	080009004032	Screw (M3 x 16 mm, Pan Hd.)	4	83	080009004011	Screw (M4 x 10 mm, Flat Hd.).....	2
61	080009004033	Lens.....	1	84	080009002705	Armature Assembly (Inc. Key Nos. 75-76)	1
62	080009002069	Spray Nozzle	1	85	080009004051	Inner Support Arm Cover	1
63	080009004025	Screw (M4 x 10 mm, Pan Hd.)	1	86	080009004702	Valve Assembly	1
64	080009004015	Inner Blade Guard	1	87	080009004103	Hose (350L)	1
65	080009004900	Laser Aperture Label	1	88	080009002039	Strain Relief Bushing.....	3
66	080009004123	Brush Holder	2	89	080009002035	Switch (Inc. Key No. 90)	1
67	080009004124	Brush	2	90	080009002118	Switch Key	1
68	080009004125	Brush Cap	2	91	080009004050	Washer	2
69	080009004707	Motor Housing Assembly	1	92	080009004058	Screw (M4 x 8 mm, Pan Hd.)	2
70	080009004009	Screw (M5 x 20 mm, Pan Hd.)	4	93	080009004048	Screw (M4 x 33 mm, Pan Hd.)	2
71	080009004907	Motor Label	1	94	080009004049	Screw (M4 x 20 mm, Pan Hd.)	2
72	080009002909	Warning Label (English).....	1	95	080009004047	Outer Support Arm Cover	1
73	080009004121	Field Assembly	1	96	080009004053	Screw (M8 x 14 mm, Hex Socket Hd.).....	4
74	080009004122	Screw (M5 x 60 mm, Pan Hd.)	2	97	080009004045	Support Arm.....	1
75	080009002085	Ball Bearing (608 2RS C3).....	1	98	080009004055	Washer (D4 x D8 x 2t).....	1
76	080009002086	Ball Bearing (6200 TU/TZ/CM/5C)	1	99	080009004054	Screw (M8 x 18 mm, Hex Socket Hd.).....	1
77	080009002012	Screw (M3 x 10 mm, Pan Hd.)	1	100	080009002079	Screw (M5 x 5 mm, Hex Socket Hd.).....	2
78	080009004106	Bearing Bracket.....	1	101	080009001080	Screw (M5 x 6 mm, Hex Socket Hd.).....	2

RYOBI TILE SAW – MODEL NUMBER WS750L

FIGURE C



RYOBI TILE SAW – MODEL NUMBER WS750L

The model number will be found on a plate attached to the extrusion. Always mention the model number in all correspondence regarding your **TILE SAW** or when ordering repair parts.

PARTS LIST FOR FIGURE C

KEY NO.	PART NUMBER	DESCRIPTION	QTY.	KEY NO.	PART NUMBER	DESCRIPTION	QTY.
1	080009002116	Leg Plug	4	20	080009004903	Stand Tear Down Label	1
2	080009004078	Outside Right Stand Tubing	1	21	080009004073	Frame Handle	1
3	080009004099	Washer (D8.4 x D15.5 x 1.6t).....	2	22	080009002013	Screw (M8 x 20 mm, Hex Hd.)	2
4	080009002095	Lock Nut (M8).....	2	23	080009002014	Lockwasher (M8).....	2
5	080009004083	Sleeve Spacing.....	2	24	080009004100	Washer (D8 x D18 x 1.5t).....	4
6	080009004098	Washer (D13.5 x D20 x 2t).....	4	25	080009004904	Stand Latch Label	1
7	080009004094	Tubing Plug.....	4	26	080009004072	Frame	1
8	080009004086	Screw (M6 x 10 mm, Hex Hd.)	2	27	080009004091	E-Ring (E8).....	1
9	080009004087	Washer (D7 x D19 x 2t).....	2	28	080009004090	Washer (D11 x D18 x 2t).....	1
10	080009004082	Spacer	2	29	080009004089	Compression Spring.....	1
11	080009004095	Screw (M8 x 75 mm, Carriage).....	2	30	080009004088	Detent Knob	1
12	080009004081	Inner Straight Right Tubing.....	1	31	080009004080	Inner Straight Left Tubing.....	1
13	080009004092	Left Sliding Bracket.....	1	32	080009004084	Wheel Tubing.....	1
14	080009004096	Washer (D13 x D21 x 3t).....	4	33	080009004077	Outside Left Stand Tubing.....	1
15	080009004097	C-Ring (S12).....	2	34	080009004079	Outer Straight Tubing (25.4 x 57 x 1t)	2
16	080009002031	Screw (M4 x 8 mm, Pan Hd.)	1	35	080009004085	Wheel.....	2
17	080009004075	End of Cut Reminder.....	1	36	080009004705	Rear Stand Assembly.....	1
18	080009004074	Rail.....	1	37	080009004093	Right Sliding Bracket.....	1
19	080009004902	Stand Set Up Label	1				