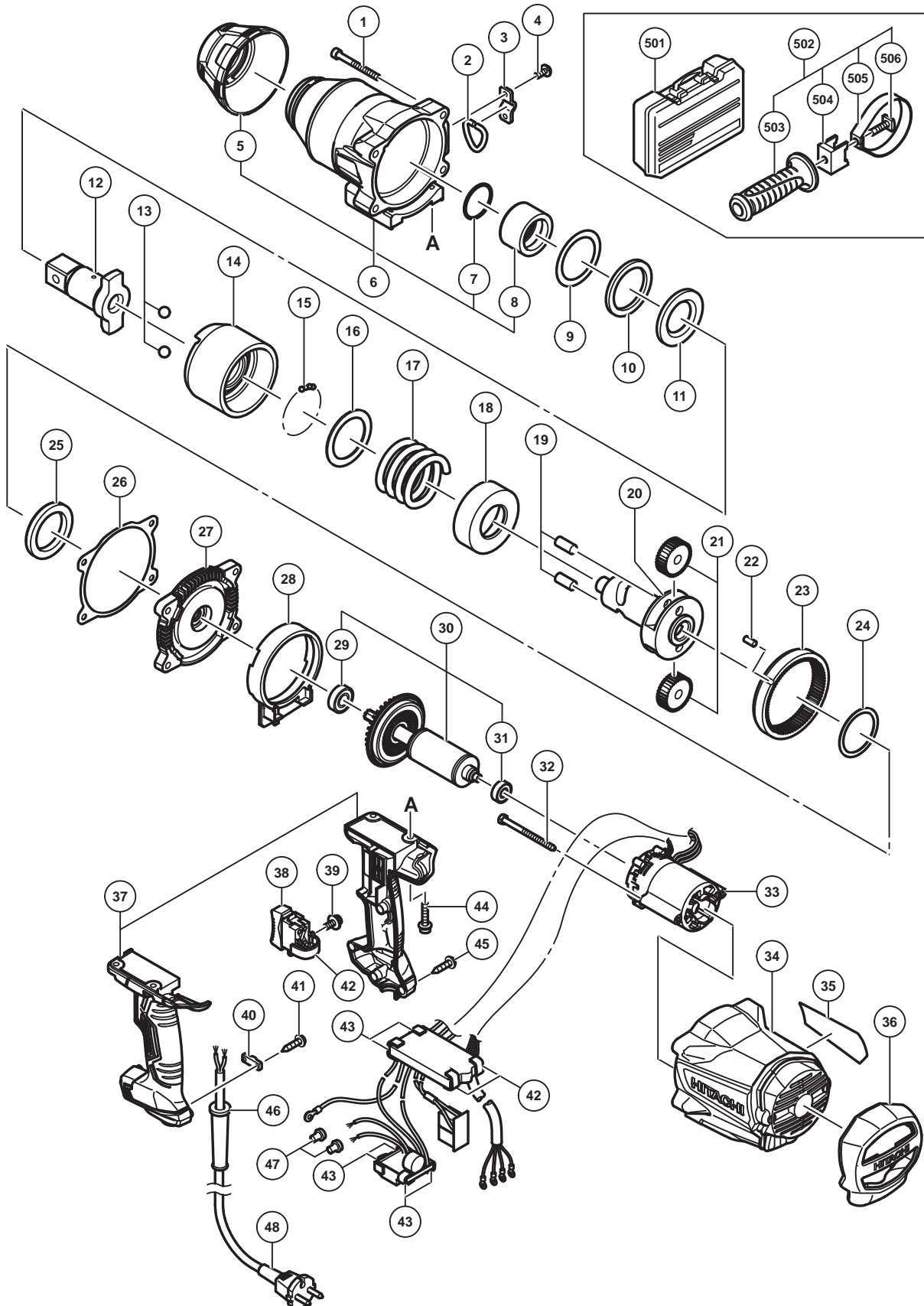


## ELECTRIC TOOL PARTS LIST

### ■ IMPACT WRENCH Model WR 25SE

2015-1-20  
(E1)



**PARTS**

WR 25SE

ITEM NO.	CODE NO.	DESCRIPTION	NO. USED	REMARKS
1	986491	SEAL LOCK HEX. SOCKET HD. BOLT M6 X 50	4	
2	932916	HANGER (B)	1	
3	932915	HANGER (A)	1	
4	993126	SEAL LOCK SCREW (W/SP. WASHER) M5 X 12	2	
5	337836	BUMPER (C)	1	
6	337835	HAMMER CASE (C) ASS'Y	1	INLCLUD.5,7,8
7	319732	O-RING (P-35)	1	
8	337837	METAL (B)	1	
9	338351	WASHER (C)	1	
10	338350	DAMPER (C)	1	
11	337834	WASHER (B)	1	
12	337820	ANVIL (C)	1	
13	337838	STEEL BALL D10.3	2	
14	337832	HAMMER (C)	1	
15	959149	STEEL BALL D4.76 (10 PCS.)	35	
16	337831	HAMMER WASHER (C)	1	
17	337829	HAMMER SPRING (C)	1	
18	337828	SPRING SHEET (C)	1	
19	337827	NEEDLE ROLLER	2	
20	337830	SPINDLE (C)	1	
21	338352	IDLE GEAR SET (2 PCS.)	2	
22	991449	NEEDLE ROLLER	2	
23	337839	RING GEAR (C)	1	
24	337833	WASHER (A)	1	
25	337825	METAL (A)	1	
26	337821	PACKING (C)	1	
27	337824	INNER COVER (C)	1	
28	337823	FAN GUIDE (C)	1	
29	6001DD	BALL BEARING 6001DDCMPS2L	1	
30	360989	ROTOR ASS'Y (C)	1	INCLUD.29,31
31	333945	BALL BEARING 608VV	1	
32	961400	HEX. HD. TAPPING SCREW D5 X 70	2	
* 33	340895C	STATOR CONTROLLER (C) SET 110V	1	
* 33	340895D	STATOR CONTROLLER (C) SET 120V-127V	1	
* 33	340895E	STATOR CONTROLLER (C) SET 220V-230V	1	
* 33	340895F	STATOR CONTROLLER (C) SET 240V	1	
34	338349	HOUSING (C)	1	
35		NAME PLATE	1	
36	337822	TAIL BUMPER (C)	1	
37	338505	HANDLE (A).(B) SET	1	
38	337202	SWITCH	1	
39	980060	MACHINE SCREW (W/WASHER) M3.5 X 5	4	
40	937631	CORD CLIP	1	
41	984750	TAPPING SCREW (W/FLANGE) D4 X 16	2	
42	338353	CUSHION RUBBER 30 X 10 X 3	3	
43	338354	CUSHION RUBBER 45 X 10 X 3	6	
44	316107	HEX. SOCKET HD. BOLT (W/WASHERS) M5 X 20	4	
45	301653	TAPPING SCREW (W/FLANGE) D4 X 20 (BLACK)	4	
* 46	953327	CORD ARMOR D8.8	1	
* 46	938051	CORD ARMOR D10.1	1	



