

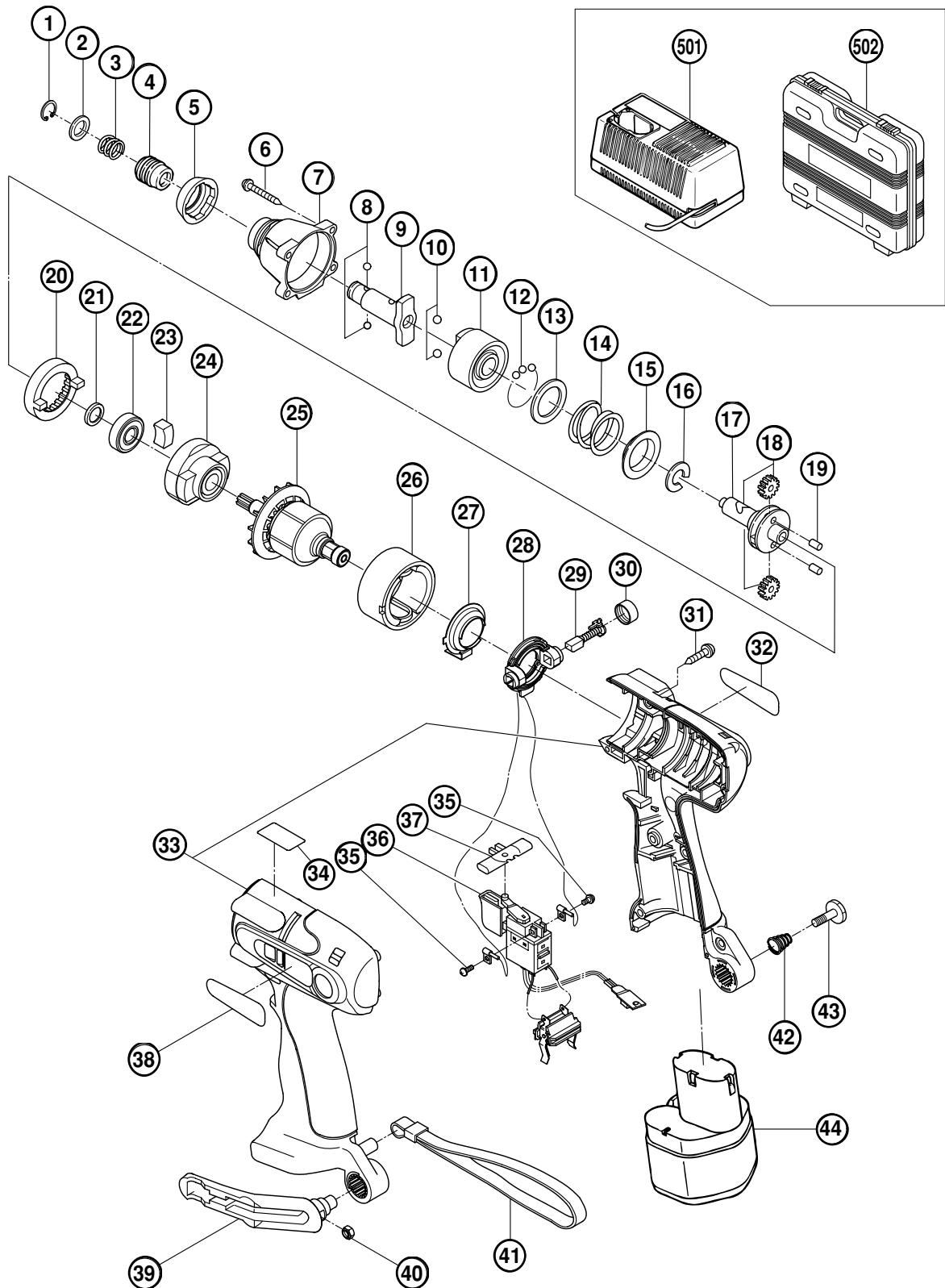
ELECTRIC TOOL PARTS LIST

■ CORDLESS IMPACT DRIVER

2001·10·25

Model WH 9DM

(E1)



PARTS

WH 9DM

ITEM NO.	CODE NO.	DESCRIPTION	NO. USED	REMARKS
1	315-984	RETAINING RING	1	
2	315-983	WASHER (D)	1	
3	320-409	GUIDE SPRING	1	
4	319-921	GUIDE SLEEVE (A)	1	
5	320-418	FRONT CAP	1	
6	319-917	TAPPING SCREW (W/SP. WASHER) D4X25 (BLACK)	4	
7	320-411	HAMMER CASE	1	
8	319-535	STEEL BALL D3.5 (10 PCS.)	2	
9	320-417	ANVIL (C)	1	
10	959-154	STEEL BALL D5.556 (10 PCS.)	2	
11	320-408	HAMMER (A)	1	
12	959-148	STEEL BALL D3.175 (10 PCS.)	28	
13	315-978	WASHER (J)	1	
14	320-407	HAMMER SPRING (A)	1	
15	316-172	WASHER (S)	1	
16	316-171	STOPPER	1	
17	319-912	SPINDLE	1	
18	319-913	IDLE GEAR SET (2 PCS.)	2	
19	319-914	NEEDLE ROLLER	2	
20	319-910	RING GEAR	1	
21	319-911	WASHER (E)	1	
22	690-1VV	BALL BEARING 6901VVCMP2L	1	
23	319-909	DAMPER	2	
24	319-908	INNER COVER	1	
25	360-564	ARMATURE ASS'Y (W/BALL BEARING) DC 9.6V	1	
26	319-919	MAGNET	1	
27	319-907	DUST GUARD FIN	1	
28	319-905	BRUSH BLOCK	1	
29	999-054	CARBON BRUSH 5X6X11.5 (1 PAIR)	2	
30	319-918	BRUSH CAP	2	
31	302-086	TAPPING SCREW (W/FLANGE) D4X20 (BLACK)	7	
32		NAME PLATE	1	
33	320-412	HOUSING (A).(B) SET	1	
* 34		CAUTION PLATE	1	FOR USA
35	994-532	MACHINE SCREW (W/SP. WASHER) M3X5	2	
36	319-906	DC-SPEED CONTROL SWITCH	1	
37	316-166	PUSHING BUTTON	1	
38		HITACHI LABEL	1	
39	320-287	HOOK ASS'Y	1	INCLUD.40
40	320-288	V-LOCK NUT M5	1	
41	306-952	STRAP (BLACK)	1	
42	319-926	HOOK SPRING	1	
43	319-927	SPECIAL SCREW M5	1	
* 44	310-377	BATTERY EB 9B (W/ENGLISH N.P.)	1	
* 44	310-451	BATTERY EB 9B (W/ENGLISH N.P.)	1	FOR USA

STANDARD ACCESSORIES

WH 9DM

ITEM NO.	CODE NO.	DESCRIPTION	NO. USED	REMARKS	
501		CHARGER (MODEL UC 14YF2)	1		
502	320-377	CASE	1		

OPTIONAL ACCESSORIES

ITEM NO.	CODE NO.	DESCRIPTION	NO. USED	REMARKS	
601	992-671	+ DRIVER BIT (B) NO.2 50L	1		
602	992-672	+ DRIVER BIT (B) NO.3 50L	1		
603	996-177	NON-MAGNETIC HEX. SOCKET 8MM 65L	1		
604	985-329	NON-MAGNETIC HEX. SOCKET 10MM 65L	1		
605	996-178	NON-MAGNETIC HEX. SOCKET 12MM 65L	1		
606	996-179	NON-MAGNETIC HEX. SOCKET 13MM 65L	1		
607	996-180	NON-MAGNETIC HEX. SOCKET 14MM 65L	1		
608	996-181	NON-MAGNETIC HEX. SOCKET 16MM 65L	1		
609	996-182	NON-MAGNETIC HEX. SOCKET 17MM 65L	1		
610	996-197	HEX. SOCKET (LONG) 21MMX166L	1		
611	996-195	DRILL CHUCK AND ADAPTER SET	1	INCLUD.612	
612	307-543	CHUCK ADAPTER	1		
613	309-922	GREASE FOR IMPACT DRIVER (500G)	1		