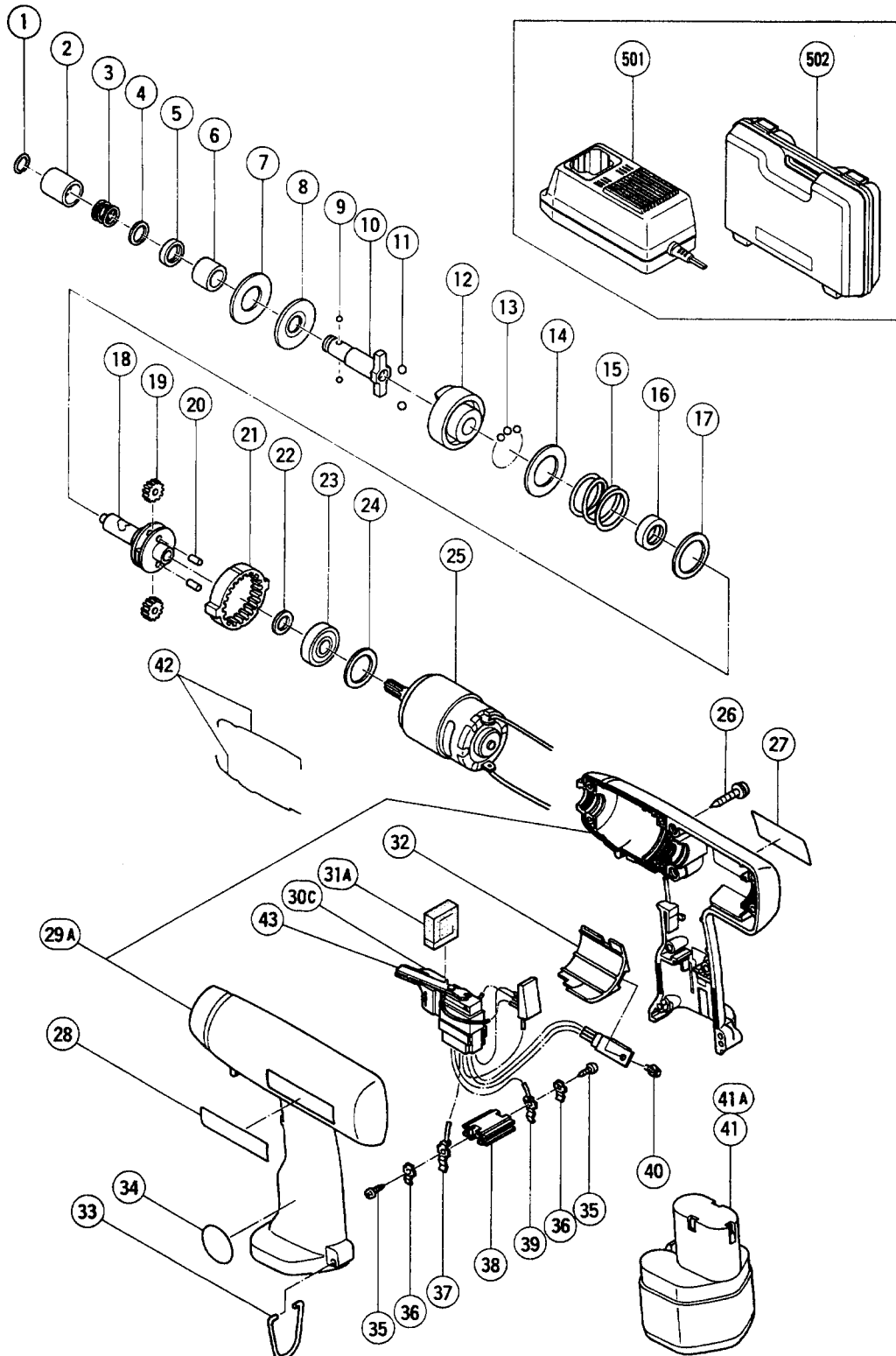


ELECTRIC TOOL PARTS LIST

■ CORDLESS IMPACT DRIVER
Model WH 8DC

1993 • 6 • 30
(E2)



PARTS

WH 8DC

ITEM NO.	CODE NO.	DESCRIPTION	NO. USED	REMARKS	
1	995-933	RETAINING RING	1		
2	995-932	GUIDE SLEEVE	1		
3	995-931	GUIDE SPRING	1		
4	998-170	WASHER (D)	1		
5	302-326	OIL SEAL	1		
6	302-327	METAL	1		
7	302-328	RUBBER WASHER	1		
8	302-329	WASHER (F)	1		
9	959-148	STEEL BALL D3.175 (10 PCS.)	2		
10	998-172	ANVIL (D)	1		
11	959-154	STEEL BALL D5.556 (10 PCS.)	2		
12	302-330	HAMMER	1		
13	959-155	STEEL BALL D3.97 (10 PCS.)	21		
14	302-331	WASHER (G)	1		
15	302-334	SPRING	1		
16	302-335	STOPPER	1		
17	302-333	WASHER (H)	1		
18	302-332	SPINDLE	1		
19	991-448	IDLE GEAR	2		
20	991-449	NEEDLE ROLLER	2		
21	302-337	RING GEAR	1		
22	991-455	WASHER (C)	1		
23	600-1VV	BALL BEARING 6001VVCMP2L	1		
24	302-336	WASHER (E)	1		
25	302-340	MOTOR	1		
26	301-853	TAPPING SCREW (W/FLANGE) D4X20 (BLACK)	9		
27		NAME PLATE	1		
28		HITACHI LABEL	1		
29A	302-873	HOUSING (A).(B) SET	1	INCLUD.42	
30C	307-648	SWITCH ASS'Y (1P PLUG IN TYPE) W/O LOCK	1	INCLUD.37,39,43	
31A	992-078	SEAL	1		
32	302-342	FIN	1		
33	980-838	HOOK	1		
34		MARK PLATE	1		
35	958-715	TAPPING SCREW D4X10	2		
36	998-118	HOLDER SPRING	2		
37	302-338	TERMINAL	1		
38	302-874	TERMINAL PIECE	1		
39	300-204	TERMINAL	1		
40	301-791	MACHINE SCREW (W/SP. WASHER) M3.5X8	1		
*	41	991-642Z	BATTERY EB 9 (W/ENGLISH N.P.)	1	
*	41A	991-681	BATTERY EB 9 (W/ENGLISH N.P.)	1	FOR DEN,SWE,HOL,SUI,NOR
	42	303-205	SILICON TUBE	2	
	43	306-845	REVERSING SWITCH	1	

*: ALTERNATIVE PARTS

STANDARD ACCESSORIES

WH 8DC

ITEM NO.	CODE NO.	DESCRIPTION	NO. USED	REMARKS	
501		CHARGER (MODEL UC 12Y)	1		
502	302-344	CASE	1		

OPTIONAL ACCESSORIES

ITEM NO.	CODE NO.	DESCRIPTION	NO. USED	REMARKS	
601	992-671	+ DRIVER BIT (B) NO.2 50L	1		
602	992-672	+ DRIVER BIT (B) NO.3 50L	1		
603	996-177	NON – MAGNETIC HEX. SOCKET 8MM 85L	1		
604	985-329	NON – MAGNETIC HEX. SOCKET 10MM 85L	1		
605	996-178	NON – MAGNETIC HEX. SOCKET 12MM 85L	1		
606	996-179	NON – MAGNETIC HEX. SOCKET 13MM 85L	1		
607	996-180	NON – MAGNETIC HEX. SOCKET 14MM 85L	1		
608	996-185	NON – MAGNETIC HEX. SOCKET 15MM 85L	1		
609	996-181	NON – MAGNETIC HEX. SOCKET 16MM 85L	1		
610	996-182	NON – MAGNETIC HEX. SOCKET 17MM 85L	1		
611	996-186	NON – MAGNETIC HEX. SOCKET 19MM 85L	1		
612	996-197	HEX. SOCKET (LONG) 21MMX166L	1		
613	959-183	DRILL BIT FOR WOOD (HEX. SHAFT) D14X83	1		
614	996-195	DRILL CHUCK AND ADAPTER SET	1		

* : ALTERNATIVE PARTS