

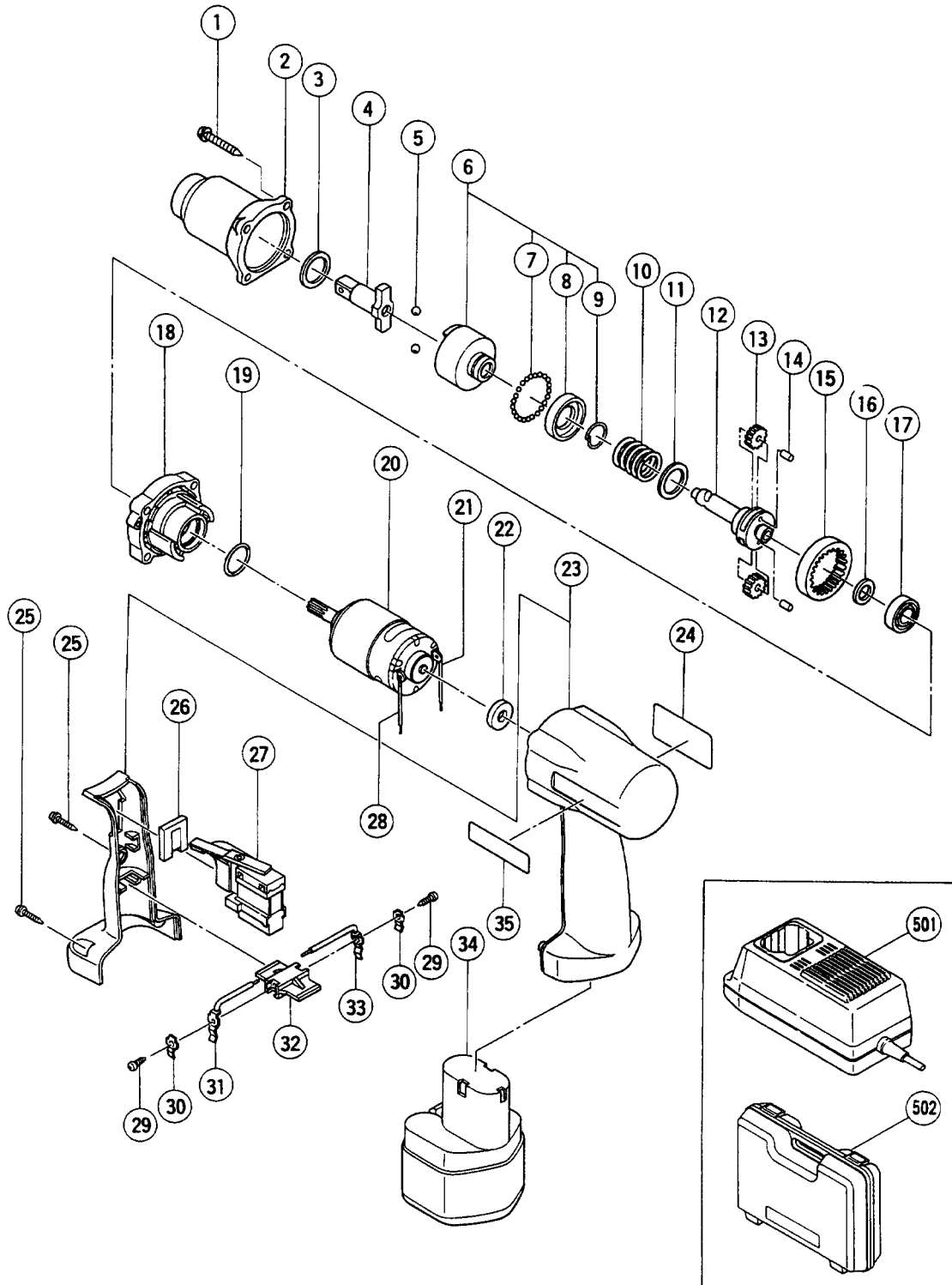
ELECTRIC TOOL PARTS LIST

CORDLESS IMPACT WRENCH

1989-1-20

Model WH8D1

WH8D1(E1)



PARTS

WH 8D1

ITEM NO.	CODE NO.	DESCRIPTION	NO. USED	REMARKS	
	1	996-146	TAPPING SCREW (W/SP.WASHER) D4X30	4	
	2	996-112	HAMMER CASE	1	
	3	996-111	WASHER (A)	1	
*	4	996-122	ANVIL (B)	1	PLUNGER TYPE
*	4	996-121	ANVIL (A)	1	PIN,O-RING TYPE FOR NZL,SRI,SIN,SAF
	5	959-154	STEEL BALL D5.556 (10 PCS.)	2	
	6	996-108	HAMMER ASSY	1	INCLUD.7-9
	7	959-148	STEEL BALL D3.175 (10 PCS.)	21	
	8	996-109	SPRING SHEET	1	
	9	996-110	RETAINING RING	1	
	10	996-107	SPRING	1	
	11	996-106	WASHER (B)	1	
	12	996-105	SPINDLE	1	
	13	991-448	IDLE GEAR	2	
	14	991-449	NEEDLE ROLLER	2	
	15	996-104	RING GEAR	1	
	16	991-455	WASHER (C)	1	
	17	600-1CM	BALL BEARING 6001CM	1	
	18	300-093	INNER COVER	1	
	19	876-078	O-RING (S-20)	1	
	20	996-101	MOTOR ASSY	1	INCLUD.21,28
	21	996-114	INTERNAL WIRE (B) (RED)	1	
	22	996-102	RUBBER RING	1	
	23	300-207	HOUSING SET	1	
	24		NAME PLATE	1	
	25	930-446	TAPPING SCREW (W/WASHER) D4X16	3	
	26	980-834	SEAL	1	
	27	995-426	SWITCH (2P PLUG IN TYPE) W/O LOCK	1	
	28	996-113	INTERNAL WIRE (B) (BLACK)	1	
	29	958-715	TAPPING SCREW D4X10	2	
	30	996-118	HOLDER SPRING	2	
	31	996-116	TERMINAL (BROWN)	1	
	32	996-119	TERMINAL PIECE	1	
	33	996-117	TERMINAL (BLUE)	1	
*	34	991-642Z	BATTERY EB9 (ENGLISH)	1	
*	34	991-641Z	BATTERY EB9 (GERMAN)	1	FOR FRG,BEL
*	34	991-680	BATTERY EB9 (GERMAN)	1	FOR SUI
*	34	991-643Z	BATTERY EB9 (FRENCH)	1	FOR FRA
*	34	991-644Z	BATTERY EB9 (ENGLISH)	1	FOR USA,CAN
	35	987-679	HITACHI LABEL	1	

STANDARD ACCESSORIES

WH 8D1

ITEM NO.	CODE NO.	DESCRIPTION	NO. USED	REMARKS
501		CHARGER (MODEL UC 12Y)	1	
502	301-845	CASE	1	

OPTIONAL ACCESSORIES

ITEM NO.	CODE NO.	DESCRIPTION	NO. USED	REMARKS
601	996-144	BIT ADAPTER	1	INCLUD.606,607
602	996-145	ADAPTER 12.7MM	1	INCLUD.608,609
603	930-036	GREASE (JF-375) (50G)	1	
604	996-143	EXTENSION BAR	1	INCLUD.606,607
605	996-147	UNIVERSAL JOINT	1	INCLUD.608-610
606	996-124	SOCKET PIN (A)	1	
607	873-095	O-RING (P-16)	1	
608	996-123	SOCKET PIN (B)	1	
609	873-570	O-RING (P-18)	1	
610	996-163	UNIVERSAL JOINT PIN	1	
611	996-125	HEX. SOCKET 8MM	1	INCLUD.606,607
612	996-126	HEX. SOCKET 10MM	1	INCLUD.606,607
613	996-127	HEX. SOCKET 12MM	1	INCLUD.606,607
614	996-128	HEX. SOCKET 13MM	1	INCLUD.608,609
615	996-129	HEX. SOCKET 14MM	1	INCLUD.608,609
616	996-130	HEX. SOCKET 16MM	1	INCLUD.608,609
617	996-131	HEX. SOCKET 17MM	1	INCLUD.608,609
618	996-132	HEX. SOCKET 18MM	1	INCLUD.608,609
619	996-133	HEX. SOCKET 19MM	1	INCLUD.608,609
620	996-134	HEX. SOCKET (LONG) 8MM	1	INCLUD.606,607
621	996-135	HEX. SOCKET (LONG) 10MM	1	INCLUD.606,607
622	996-136	HEX. SOCKET (LONG) 12MM	1	INCLUD.606,607
623	996-137	HEX. SOCKET (LONG) 13MM	1	INCLUD.608,609
624	996-138	HEX. SOCKET (LONG) 14MM	1	INCLUD.608,609
625	996-139	HEX. SOCKET (LONG) 16MM	1	INCLUD.608,609
626	996-140	HEX. SOCKET (LONG) 17MM	1	INCLUD.608,609
627	996-141	HEX. SOCKET (LONG) 18MM	1	INCLUD.608,609
628	996-142	HEX. SOCKET (LONG) 19MM	1	INCLUD.608,609