

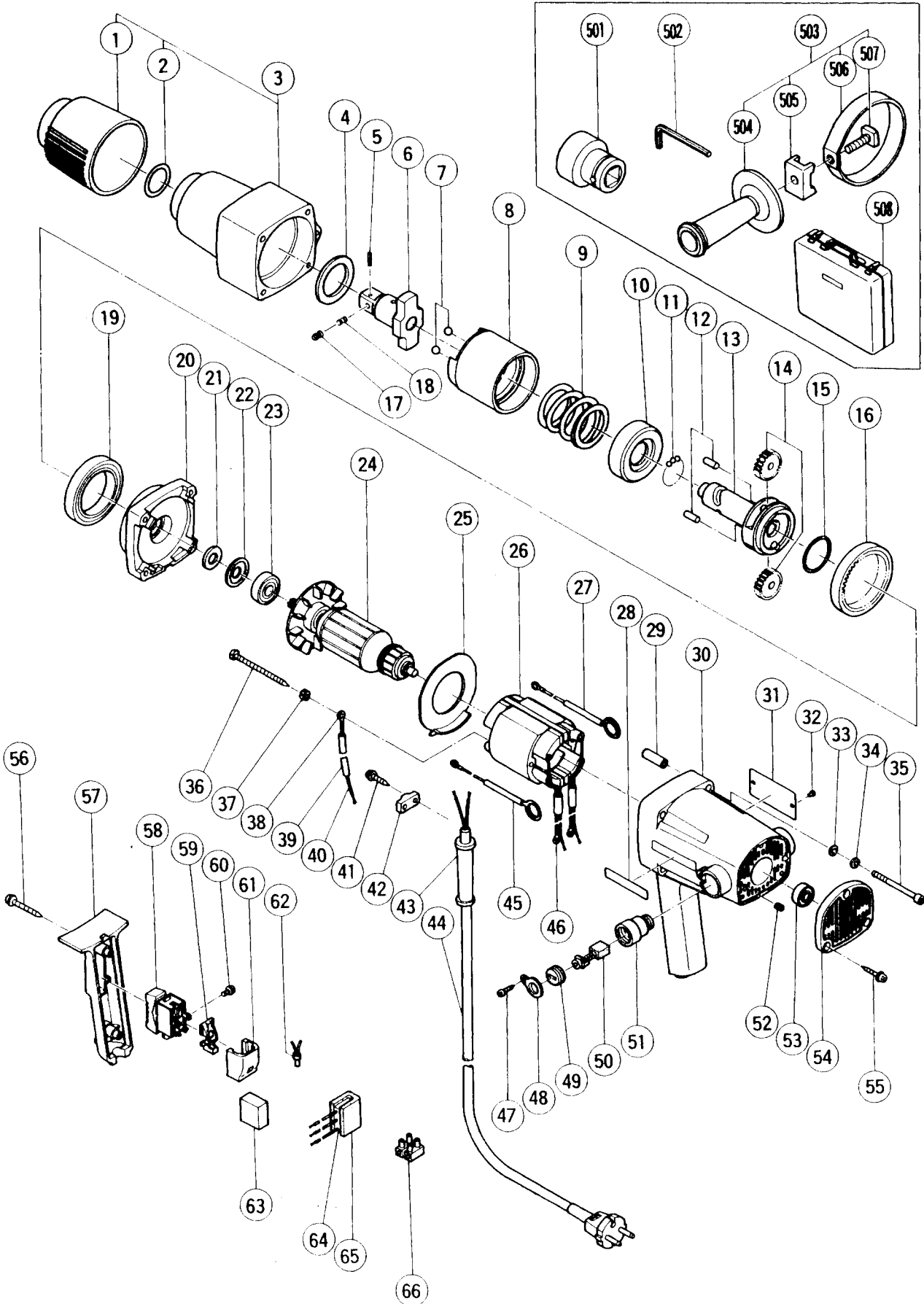
ELECTRIC TOOL PARTS LIST

■ IMPACT WRENCH

1984·10·31

Model WH22SA

WH22SA(E1)



PARTS

WH22SA(E1)

Item No.	Code No.	Parts Name	Q'ty	Remarks
1	985295	Bumper	1	
2	971028	O-Ring (P28)	1	
3	985279	Hammer Case Ass'y	1	includ. 1, 2
4	971029	Washer (A)	1	
5	949507Z	Roll Pin D2 x 14	1	(10 pcs.)
6	992570	Anvil (B) Ass'y	1	includ. 5, 17, 18
7	939273Z	Steel Ball D7.14	2	(10 pcs.)
8	985278	Hammer	1	
9	985277	Spring	1	
10	985276	Spring Seat	1	
11	939363Z	Steel Ball D3.969	22	(10 pcs.)
12	971016	Gear Shaft	2	
13	985275	Spindle	1	
14	971014	Idle Gear	2	
15	971027	Clip (A)	1	
16	971025	Ring Gear	1	
17	992572	Plunger	1	
18	992571	Spring	1	
19	971013	Ball Bearing (6910C2)	1	
20	985274	Inner Cover	1	
21	971011	Felt Packing	1	
22	971012	Packing Washer	1	
23	939220	Ball Bearing (6200VVCM)	1	
24	—	Armature	1	See alternative parts
25	985273	Fan Guide	1	
26	—	Stator Ass'y	1	See alternative parts
27	—	Internal Wire	1	See alternative parts
28	957561	HITACHI Label	1	
29	985271	Collar	4	
30	985270	Housing Ass'y	1	includ. 29, 51, 52
31	—	Name Plate	1	
32	—	Rivet	2	See alternative parts
33	949424Z	Washer	4	for M5 (10 pcs.)
34	949454Z	Spring Lock Washer	4	for M5 (10 pcs.)
35	971038	Hexagon Socket Hd. Bolt M5 x 60	4	
36	961400	Hexagon Hd. Tapping Screw D5 x 70	2	
37	956764	Special Washer	2	
38	—	Terminal	1	See alternative parts
39	—	Tube	1	See alternative parts
40	—	Internal Wire Ass'y	1	See alternative parts
41	930446	Tapping Screw D4 x 16	2	w/Washer
42	937631	Cord Clip	1	
43	—	Cord Armor	1	See alternative parts
44	—	Cord	1	See alternative parts
45	—	Internal Wire	1	See alternative parts
46	941562	Terminal (A)	2	for M3.5
47	958715	Tapping Screw D4 x 10	2	
48	981959	Cap Cover	2	
49	961781	Brush Cap	2	
50	999043	Carbon Brush	2	(2 pcs.)
51	981586	Brush Holder	2	
52	962782	Hexagon Socket Hd. Set Screw M5 x 6	2	
53	939396	Ball Bearing (608ZZC2)	1	

PARTS

WH22SA(E1)

Item No.	Code No.	Parts Name	Q'ty	Remarks
54	985272	Tail Cover	1	
55	982032	Tapping Screw	D5 x 25	3 w/Spring Lock Washer
56	985984	Tapping Screw	D4 x 35	2 w/Washer
57	985178	Handle Cover	1	
58	985103	Switch	1	includ. 60
59	985176	Switch Adapter	1	
60	980060	Machine Screw	M3.5 x 5	4 w/Washer
61	985177	Switch Holder	1	
62	---	Connector	1	See alternative parts
63	985175	Support	1	
64	---	Noise Suppressor	1	See alternative parts
65	---	Support (B)	1	See alternative parts
66	958308Z	Pillar Terminal (A)	1	

ALTERNATIVE PARTS

Item No.	Code No.	Parts Name	Q'ty	Remarks
24	985284C	Armature	115V	1 for U.S.A., Canada
	985284E	Armature	220V	1 for Switzerland
	985284H	Armature	220V	1 for France
26	985282C	Stator Ass'y	115V	1 for U.S.A., Canada includ. 46
	985282E	Stator Ass'y	220V	1 for Switzerland includ. 46
	985282G	Stator Ass'y	220V	1 for France includ. 46
27	985285	Internal Wire	1	for France, Switzerland
	985287	Internal Wire	1	for U.S.A., Canada
32	932642	Rivet	D2.5 x 2.8	2 for Canada (10 pcs.)
38	961419Z	Terminal	1	for France, Switzerland
39	985194	Tube	D2.5	1 for France, Switzerland
40	985297	Internal Wire Ass'y	1	for Switzerland includ. 38
43	953327	Cord Armor	D8.8	1
	938051	Cord Armor	D10.1	1
44	500240Z	Cord	115V	1 for U.S.A., Canada (Cord Armor D8.8)
	500247Z	Cord	220V	1 for France (Cord Armor D10.1)
	500248Z	Cord	220V	1 for Switzerland (Cord Armor D10.1)
45	985286	Internal Wire	1	for France, Switzerland
	985288	Internal Wire	1	for U.S.A., Canada
62	939310Z	Connector (50091)	1	for Switzerland (10 pcs.)
64	985189	Noise Suppressor	1	for France
	960283Z	Noise Suppressor	1	for Switzerland
65	930153	Support (B)	1	for France, Switzerland

STANDARD ACCESSORIES

WH22SA(E1)

Item No.	Code No.	Parts Name	Q'ty	Remarks
501	992575	Hexagon Socket 32 MM	1	
502	944458	Hexagon Bar Wrench 4 MM	1	
503	985280	Side Handle Ass'y	1	includ. 504 ~ 507
504	980901	Side Handle	1	
505	955089	Handle Base	1	
506	985296	Ring	1	
507	980903	Square Bolt M8	1	
508	985293	Case	1	

OPTIONAL ACCESSORIES

Item No.	Code No.	Parts Name	Q'ty	Remarks
601	874535	Extension Bar Ass'y 19 MM □	1	includ. 602, 603
602	874524	Socket Ring	1	
603	874525	Socket Pin	1	
604	955088	Universal Joint Ass'y	1	includ. 602, 603
605	955091	Universal Joint Pin	1	
606	874527	Hexagon Socket Ass'y 23 MM	1	includ. 602, 603
607	874528	Hexagon Socket Ass'y 24 MM	1	includ. 602, 603
608	874529	Hexagon Socket Ass'y 26 MM	1	includ. 602, 603
609	874530	Hexagon Socket Ass'y 27 MM	1	includ. 602, 603
610	874531	Hexagon Socket Ass'y 29 MM	1	includ. 602, 603
611	874532	Hexagon Socket Ass'y 30 MM	1	includ. 602, 603
612	874523	Hexagon Socket Ass'y 32 MM	1	includ. 602, 603
613	874533	Hexagon Socket Ass'y 35 MM	1	includ. 602, 603
614	874534	Hexagon Socket Ass'y 36 MM	1	includ. 602, 603
615	986004	Adapter Ass'y 12.7 MM □	1	includ. 602, 603
616	955028	Long Hexagon Socket Ass'y 17 MM	1	includ. 602, 603
617	955029	Long Hexagon Socket Ass'y 19 MM	1	includ. 602, 603
618	955030	Long Hexagon Socket Ass'y 21 MM	1	includ. 602, 603
619	955031	Long Hexagon Socket Ass'y 22 MM	1	includ. 602, 603
620	955032	Long Hexagon Socket Ass'y 23 MM	1	includ. 602, 603
621	955033	Long Hexagon Socket Ass'y 24 MM	1	includ. 602, 603
622	955034	Long Hexagon Socket Ass'y 26 MM	1	includ. 602, 603
623	955035	Long Hexagon Socket Ass'y 27 MM	1	includ. 602, 603
624	955036	Long Hexagon Socket Ass'y 29 MM	1	includ. 602, 603
625	955037	Long Hexagon Socket Ass'y 30 MM	1	includ. 602, 603
626	955039	Long Hexagon Socket Ass'y 35 MM	1	includ. 602, 603
627	955092	Long Hexagon Socket Ass'y 36 MM	1	includ. 602, 603
628	971042	Grease for IMPACT WRENCH	1	(Contained in tube, 100 g)