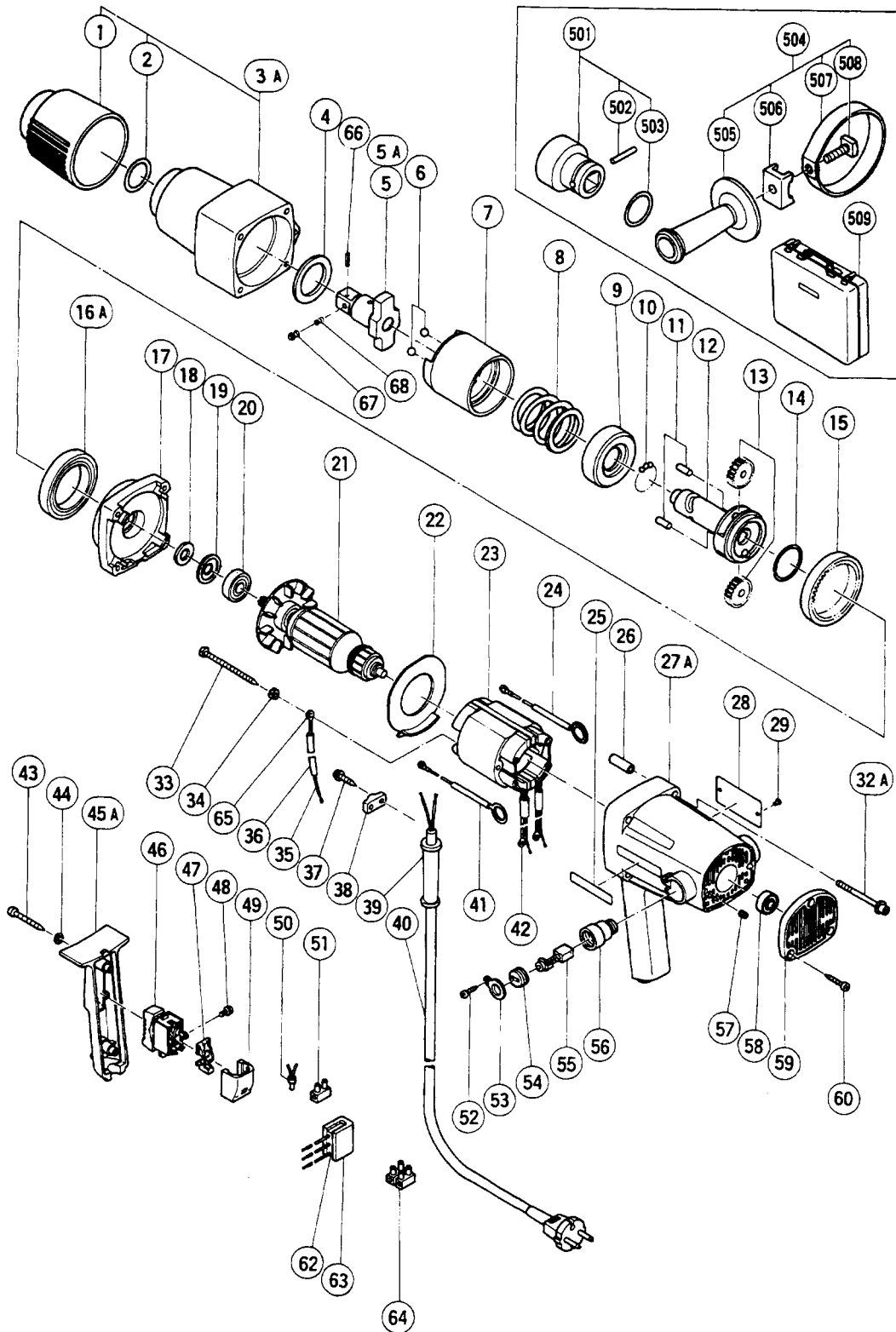


ELECTRIC TOOL PARTS LIST

■ IMPACT WRENCH
Model WH 22

1993 · 5 · 31
(E4)



PARTS

WH 22

ITEM NO.	CODE NO.	DESCRIPTION	NO. USED	REMARKS	
1	985-295	BUMPER	1		
2	971-028	O - RING (P - 28)	1		
3A	985-279	HAMMER CASE ASS'Y	1	INCLUD.1,2	
4	971-029	WASHER (A)	1	TILL 5.1987	
*	5	985-294	ANVIL (A)	1	
*	5A	992-570	ANVIL (B) ASS'Y	1	INCLUD.66 - 68 FOR AUS
6	959-151	STEEL BALL D7.14 (10 PCS.)	2		
7	985-278	HAMMER	1		
8	985-277	SPRING	1		
9	985-276	SPRING SEAT	1		
10	959-155	STEEL BALL D3.97 (10 PCS.)	22		
11	971-016	GEAR SHAFT	2		
12	985-275	SPINDLE (B)	1		
13	971-014	IDLE GEAR	2		
14	971-027	CLIP (A)	1		
15	971-025	RING GEAR	1		
16A	691-0ZZ	BALL BEARING 6910ZZC2PS2S	1		
17	985-274	INNER COVER	1		
18	971-011	FELT PACKING	1		
19	971-012	PACKING WASHER	1		
20	620-0VV	BALL BEARING 6200VVCMP2S	1		
*	21	985-284U	ARMATURE ASS'Y 110V - 115V	1	INCLUD.20,58
*	21	985-284D	ARMATURE 120V - 127V	1	
*	21	985-284E	ARMATURE 220V - 230V	1	
*	21	985-284F	ARMATURE 240V	1	
22	985-273	FAN GUIDE	1		
*	23	985-282C	STATOR ASS'Y 110V - 115V	1	INCLUD.42
*	23	985-282D	STATOR ASS'Y 120V - 127V	1	INCLUD.42
*	23	985-282E	STATOR ASS'Y 220V - 230V	1	INCLUD.42
*	23	985-282F	STATOR ASS'Y 240V	1	INCLUD.42
*	23	985-282J	STATOR ASS'Y 220V - 230V	1	INCLUD.42 FOR SAF,FIN,SWE,AUT,ITA,FRG. BEL,FRA,HOL,DEN
*	23	985-282G	STATOR ASS'Y 220V - 230V	1	INCLUD.42 FOR NZL
*	23	985-282K	STATOR ASS'Y 240V	1	INCLUD.42 FOR GBR
*	23	985-282H	STATOR ASS'Y 110V	1	INCLUD.42 FOR GBR
*	24	985-285	INTERNAL WIRE	1	
*	24	985-287	INTERNAL WIRE	1	FOR USA,CAN
25	957-561	HITACHI LABEL	1		
26	985-271	COLLAR	4		
27A	985-298	HOUSING ASS'Y	1	INCLUD.28,56,57	
28		NAME PLATE	1		
*	29	932-642	RIVET D2.5X2.8	2	FOR CAN
32A	985-300	HEX. SOCKET HD. BOLT (W/FLANGE) M5X60	4		
33	961-400	HEX. HD. TAPPING SCREW D5X70	2		
34	956-764	SPECIAL WASHER	2		
*	35	986-277	INTERNAL WIRE	1	FOR FIN
*	36	985-194	TUBE D2.5	1	FOR NZL,GBR,SAF,FRG,FRA,HOL,DEN,FIN. SWE,AUT
37	930-446	TAPPING SCREW (W/WASHER) D4X16	2		
38	937-631	CORD CLIP	1		
*	39	953-327	CORD ARMOR D8.8	1	

*: ALTERNATIVE PARTS

PARTS

WH 22

ITEM NO.	CODE NO.	DESCRIPTION	NO. USED	REMARKS
* 39	938-051	CORD ARMOR D10.1	1	
* 40	500-201Z	CORD	1	(CORD ARMOR D10.1)
* 40	500-223Z	CORD	1	(CORD ARMOR D10.1) FOR SIN,KUW
* 40	500-226Z	CORD	1	(CORD ARMOR D8.8) FOR NGU,NZL,AUS
* 40	500-231Z	CORD	1	(CORD ARMOR D8.8) FOR GBR,SAF
* 40	500-234Z	CORD	1	(CORD ARMOR D8.8) FOR INA,SUR,MLT
* 40	500-240Z	CORD	1	(CORD ARMOR D8.8) FOR USA,CAN
* 40	500-245Z	CORD	1	(CORD ARMOR D10.1) FOR SYR
* 40	500-247Z	CORD	1	(CORD ARMOR D10.1) FOR FRG,FRA,HOL, DEN,FIN,SWE,AUT,ITA
* 40	500-420Z	CORD	1	(CORD ARMOR D10.1) FOR SAU (127V)
* 40	500-423Z	CORD	1	(CORD ARMOR D8.8) FOR SAU (220V)
* 41	985-286	INTERNAL WIRE	1	
* 41	985-288	INTERNAL WIRE	1	FOR USA,CAN
42	960-358	TERMINAL (A) M3.5 (10 PCS.)	2	
43	954-015	TAPPING SCREW D4X35	2	
44	949-423	WASHER M4 (10 PCS.)	2	
45A	985-299	HANDLE COVER	1	
46	985-103	SWITCH (2P SCREW TYPE)	1	INCLUD.48
47	985-176	SWITCH ADAPTER	1	
48	980-060	MACHINE SCREW (W/WASHER) M3.5X5	4	
49	985-177	SWITCH HOLDER	1	
* 50	959-140	CONNECTOR 50091 (10 PCS.)	1	FOR SUI
* 51	938-307Z	PILLAR TERMINAL	1	FOR FIN
52	958-715	TAPPING SCREW D4X10	2	
53	981-959	CAP COVER	2	
54	961-781	BRUSH CAP	2	
55	999-043	CARBON BRUSH (1 PAIR)	2	
58	981-588	BRUSH HOLDER	2	
57	962-782	HEX. SOCKET SET SCREW M5X6	2	
58	608-VVM	BALL BEARING 608VVMC2EPS2L	1	
59	985-272	TAIL COVER	1	
60	937-807	TAPPING SCREW D5X25	3	
* 62	994-273	NOISE SUPPRESSOR	1	FOR NZL,GBR,SAF,FRG,FRA,HOL,DEN,FIN, SWE,AUT
* 62	985-301	NOISE SUPPRESSOR	1	FOR ITA
* 63	930-153	SUPPORT (B)	1	FOR NOISE SUPPRESSOR
64	958-308Z	PILLAR TERMINAL (A)	1	
* 65	961-419Z	TERMINAL	1	FOR NZL,GBR,SAF,FRG,FRA,HOL,DEN,SWE, AUT,ITA
* 66	949-507	ROLL PIN D2X14 (10 PCS.)	1	FOR AUS
* 67	992-572	PLUNGER	1	FOR AUS
* 68	992-571	SPRING	1	FOR AUS

*: ALTERNATIVE PARTS

STANDARD ACCESSORIES

WH 22

ITEM NO.	CODE NO.	DESCRIPTION	NO. USED	REMARKS
501	874-523	HEX. SOCKET ASS'Y 32MMX55L	1	INCLUD.502,503
502	874-525	SOCKET PIN	1	
503	874-524	SOCKET RING	1	
504	985-280	SIDE HANDLE ASS'Y	1	INCLUD.505 - 508
505	980-901	SIDE HANDLE	1	
506	955-089	HANDLE BASE	1	
507	985-296	RING	1	
508	980-903	SQUARE BOLT M8	1	
509	985-293	CASE	1	

OPTIONAL ACCESSORIES

ITEM NO.	CODE NO.	DESCRIPTION	NO. USED	REMARKS
601	874-535	EXTENSION BAR ASS'Y (SQUARE) 19.0MMX150L	1	INCLUD.602,603
602	874-524	SOCKET RING	1	
603	874-525	SOCKET PIN	1	
604	955-088	UNIVERSAL JOINT ASS'Y	1	INCLUD.602,603
605	955-091	UNIVERSAL JOINT PIN	1	
606	874-527	HEX. SOCKET ASS'Y 23MMX55L	1	INCLUD.602,603
607	874-528	HEX. SOCKET ASS'Y 24MMX55L	1	INCLUD.602,603
608	874-529	HEX. SOCKET ASS'Y 26MMX55L	1	INCLUD.602,603
609	874-530	HEX. SOCKET ASS'Y 27MMX55L	1	INCLUD.602,603
610	874-532	HEX. SOCKET ASS'Y 30MMX55L	1	INCLUD.602,603
611	874-533	HEX. SOCKET ASS'Y 35MMX55L	1	INCLUD.602,603
612	874-534	HEX. SOCKET ASS'Y 36MMX55L	1	INCLUD.602,603
613	955-028	HEX. SOCKET ASS'Y (LONG) 17MMX80L	1	INCLUD.602,603
614	955-029	HEX. SOCKET ASS'Y (LONG) 19MMX80L	1	INCLUD.602,603
615	955-030	HEX. SOCKET ASS'Y (LONG) 21MMX80L	1	INCLUD.602,603
616	955-031	HEX. SOCKET ASS'Y (LONG) 22MMX80L	1	INCLUD.602,603
617	955-033	HEX. SOCKET ASS'Y (LONG) 24MMX80L	1	INCLUD.602,603
618	955-034	HEX. SOCKET ASS'Y (LONG) 26MMX85L	1	INCLUD.602,603
619	955-035	HEX. SOCKET ASS'Y (LONG) 27MMX85L	1	INCLUD.602,603
620	955-037	HEX. SOCKET ASS'Y (LONG) 30MMX85L	1	INCLUD.602,603
621	955-038	HEX. SOCKET ASS'Y (LONG) 32MMX100L	1	INCLUD.602,603
622	955-092	HEX. SOCKET ASS'Y (LONG) 36MMX100L	1	INCLUD.602,603
623	971-042	GREASE FOR IMPACT WRENCH (100G)	1	

* : ALTERNATIVE PARTS