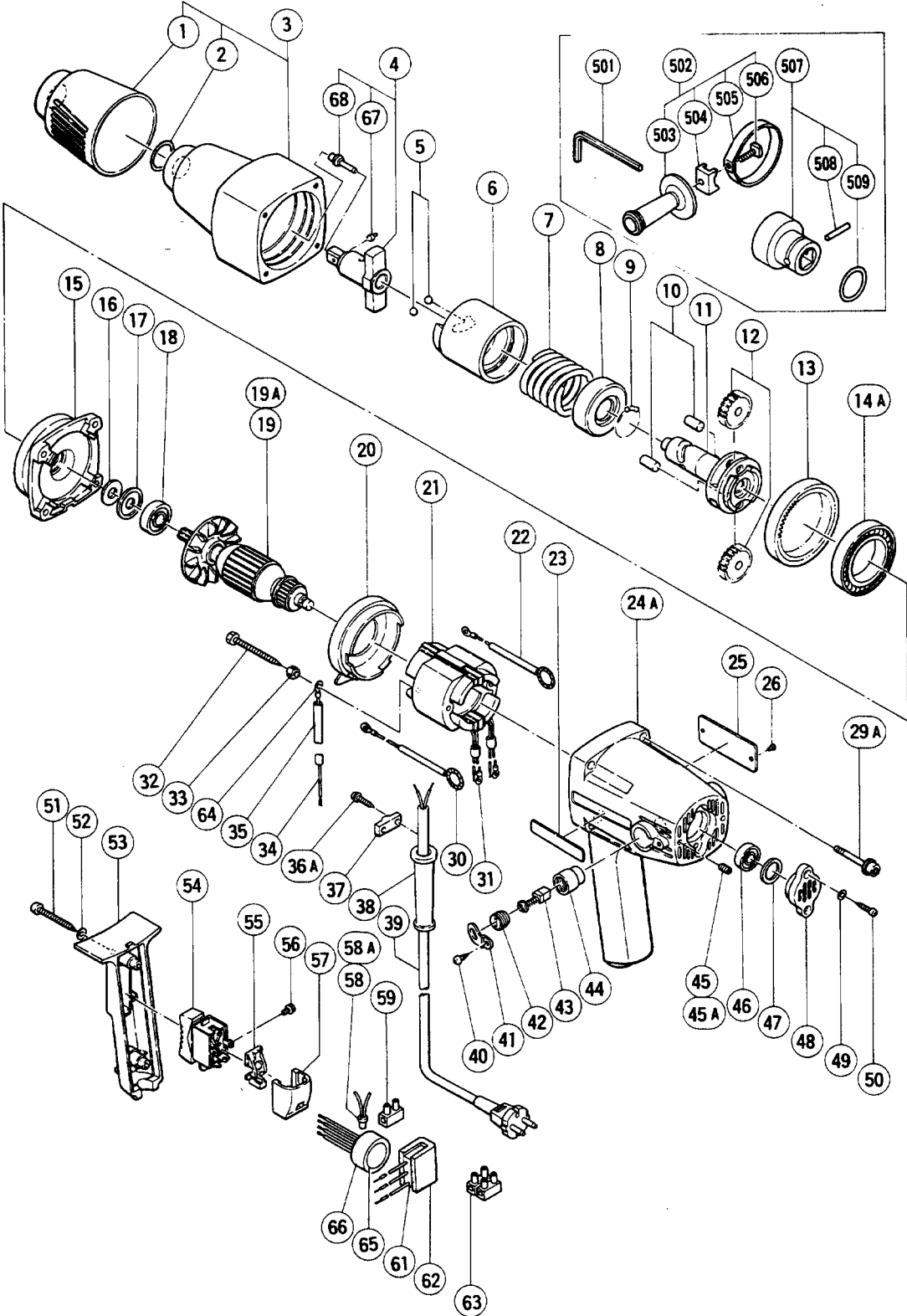


ELECTRIC TOOL PARTS LIST

■ IMPACT WRENCH
Model WH 16

1993 · 5 · 31
(E4)



PARTS

WH 16

| ITEM NO. | CODE NO. | DESCRIPTION | NO. USED | REMARKS |
|----------|----------|---------------------------------------|----------|--|
| 1 | 985-174 | BUMPER | 1 | |
| 2 | 944-486 | O - RING (1AP - 20) | 1 | |
| 3 | 985-173 | HAMMER CASE ASS'Y | 1 | INCLUD.1,2 |
| * 4 | 985-188 | ANVIL (A) | 1 | |
| * 4 | 985-207 | ANVIL (B) ASS'Y | 1 | INCLUD.87,88 FOR USA,CAN,SUI,FRA,ITA, DEN,NOR,AUS,SWE |
| 5 | 959-150 | STEEL BALL D6.35 (10 PCS.) | 2 | |
| 6 | 985-172 | HAMMER | 1 | |
| 7 | 985-171 | SPRING | 1 | |
| 8 | 985-170 | SPRING SEAT | 1 | |
| 9 | 959-148 | STEEL BALL D3.175 (10 PCS.) | 22 | |
| 10 | 985-169 | NEEDLE ROLLER | 2 | |
| 11 | 985-168 | SPINDLE | 1 | |
| 12 | 955-113 | IDLE GEAR | 2 | |
| 13 | 955-124 | RING GEAR | 1 | |
| 14A | 690-8ZZ | BALL BEARING 6908ZZC2PS2S | 1 | |
| 15 | 985-164 | INNER COVER | 1 | |
| 16 | 985-165 | FELT PACKING | 1 | |
| 17 | 985-166 | PACKING WASHER | 1 | |
| 18 | 600-0VV | BALL BEARING 6000VVCMP2S | 1 | |
| * 19 | 985-183E | ARMATURE 220V - 230V | 1 | |
| * 19 | 985-183F | ARMATURE 240V | 1 | |
| * 19A | 985-183U | ARMATURE ASS'Y 110V - 115V | 1 | INCLUD.18,46 |
| 20 | 985-163 | FAN GUIDE | 1 | |
| * 21 | 985-181C | STATOR ASS'Y 110V - 115V | 1 | INCLUD.31 |
| * 21 | 985-181E | STATOR ASS'Y 220V - 230V | 1 | INCLUD.31 |
| * 21 | 985-181F | STATOR ASS'Y 240V | 1 | INCLUD.31 |
| * 21 | 985-181G | STATOR ASS'Y 220V - 230V | 1 | INCLUD.31 FOR NZL,FRG,SUI |
| * 21 | 985-181K | STATOR ASS'Y 220V - 230V | 1 | INCLUD.31 FOR SAF,FRA,HOL,DEN,FIN,ITA, SWE,AUT |
| * 21 | 985-181H | STATOR ASS'Y 240V | 1 | INCLUD.31 FOR GBR |
| * 21 | 985-181J | STATOR ASS'Y 110V | 1 | INCLUD.31 FOR GBR |
| * 22 | 985-186 | INTERNAL WIRE | 1 | |
| * 22 | 985-192 | INTERNAL WIRE | 1 | FOR USA,CAN |
| 23 | 957-561 | HITACHI LABEL | 1 | |
| 24A | 985-160 | HOUSING ASS'Y | 1 | INCLUD.44,45A |
| 25 | | NAME PLATE | 1 | |
| * 26 | 932-642 | RIVET D2.5X2.8 | 1 | FOR CAN |
| 29A | 980-951 | HEX. SOCKET HD. BOLT (W/FLANGE) M5X45 | 4 | |
| * 30 | 985-187 | INTERNAL WIRE | 1 | |
| * 30 | 985-193 | INTERNAL WIRE | 1 | FOR USA,CAN |
| 31 | 960-358 | TERMINAL (A) M3.5 (10 PCS.) | 2 | |
| 32 | 981-824 | HEX. HD. TAPPING SCREW D4X45 | 2 | |
| 33 | 960-107 | SPECIAL WASHER | 2 | |
| * 34 | 985-185 | INTERNAL WIRE | 1 | FOR SUI |
| * 34 | 985-191 | INTERNAL WIRE | 1 | FOR FIN |
| * 35 | 985-194 | TUBE D2.5 | 1 | FOR NZL,GBR,SAF,FRG,FRA,HOL,DEN,FIN, SWE,AUT,SUI |
| 36A | 984-750 | TAPPING SCREW (W/FLANGE) D4X16 | 2 | |
| 37 | 937-631 | CORD CLIP | 1 | |
| * 38 | 953-327 | CORD ARMOR D8.8 | 1 | |

*: ALTERNATIVE PARTS

PARTS

WH 16

| ITEM NO. | CODE NO. | DESCRIPTION | NO. USED | REMARKS |
|----------|----------|---------------------------------|----------|--|
| * 38 | 938-051 | CORD ARMOR D10.1 | 1 | |
| * 39 | 500-201Z | CORD | 1 | (CORD ARMOR D10.1) |
| * 39 | 500-218Z | CORD | 1 | (CORD ARMOR D8.8) FOR NZL |
| * 39 | 500-221Z | CORD | 1 | (CORD ARMOR D10.1) FOR SIN,KUW |
| * 39 | 500-231Z | CORD | 1 | (CORD ARMOR D8.8) FOR GBR,SAF |
| * 39 | 500-234Z | CORD | 1 | (CORD ARMOR D8.8) FOR INA,MLT |
| * 39 | 500-240Z | CORD | 1 | (CORD ARMOR D8.8) FOR USA,CAN |
| * 39 | 500-245Z | CORD | 1 | (CORD ARMOR D10.1) FOR SYR |
| * 39 | 500-247Z | CORD | 1 | (CORD ARMOR D10.1) FOR FRG,FRA,HOL, DEN,ITA,FIN,SWE,AUT |
| * 39 | 500-228Z | CORD | 1 | (CORD ARMOR D8.8) FOR AUS |
| * 39 | 500-248Z | CORD | 1 | (CORD ARMOR D10.1) FOR SUI |
| 40 | 958-715 | TAPPING SCREW D4X10 | 2 | |
| 41 | 985-179 | CAP COVER | 2 | |
| 42 | 937-847 | BRUSH CAP | 2 | |
| 43 | 999-021 | CARBON BRUSH (1 PAIR) | 2 | |
| 44 | 937-846 | BRUSH HOLDER | 2 | |
| 45 | 981-681 | HEX. SOCKET SET SCREW M4X5 | 2 | TILL 10.1985 |
| 45A | 938-477 | HEX. SOCKET SET SCREW M5X8 | 2 | SINCE 11.1985 |
| 46 | 608-VVM | BALL BEARING 608VVMC2EPS2L | 1 | |
| 47 | 985-198 | RUBBER WASHER | 1 | |
| 48 | 985-182 | TAIL COVER | 1 | |
| 49 | 949-453 | SPRING WASHER M4 (10 PCS.) | 2 | |
| 50 | 954-004 | TAPPING SCREW D4X18 | 2 | |
| 51 | 954-015 | TAPPING SCREW D4X35 | 2 | |
| 52 | 949-423 | WASHER M4 (10 PCS.) | 2 | |
| 53 | 985-178 | HANDLE COVER | 1 | |
| 54 | 985-103 | SWITCH (2P SCREW TYPE) | 1 | INCLUD.56 |
| 55 | 985-176 | SWITCH ADAPTER | 1 | |
| 56 | 980-060 | MACHINE SCREW (W/WASHER) M3.5X5 | 4 | |
| 57 | 985-177 | SWITCH HOLDER | 1 | |
| * 58 | 959-141 | CONNECTOR 50092 (10 PCS.) | 2 | FOR NOR |
| * 58A | 959-141 | CONNECTOR 50092 (10 PCS.) | 1 | FOR SUI |
| * 59 | 982-805Z | PILLAR TERMINAL (B) | 1 | FOR FIN |
| * 61 | 994-273 | NOISE SUPPRESSOR | 1 | FOR ITA,FRG,FRA,HOL,DEN,FIN,SWE,AUT, NZL,GBR,SAF |
| * 61 | 930-030 | NOISE SUPPRESSOR | 1 | FOR NOR |
| * 61 | 980-283Z | NOISE SUPPRESSOR | 1 | FOR SUI |
| * 62 | 930-153 | SUPPORT (B) | 1 | FOR NOISE SUPPRESSOR |
| * 62 | 930-196 | SUPPORT (B) | 1 | FOR NOISE SUPPRESSOR FOR NOR |
| * 63 | 983-418Z | PILLAR TERMINAL (B) | 1 | |
| * 63 | 958-308Z | PILLAR TERMINAL (A) | 1 | FOR NZL,GBR,SAF,ITA,FRG,FRA,HOL,DEN, FIN,SWE,AUT,SUI |
| * 64 | 980-063 | TERMINAL | 1 | FOR FRG,FRA,HOL,DEN,SWE,AUT,NZL,GBR, SAF,ITA |
| * 65 | 955-908 | CHOKE COIL | 1 | FOR NOR |
| * 66 | 953-330 | SUPPORT (B) | 1 | FOR NOR |
| * 67 | 985-208 | PLUNGER | 1 | FOR ANVIL (B) ASS'Y |
| * 68 | 985-209 | PIN RETAINER | 1 | FOR ANVIL (B) ASS'Y |

*: ALTERNATIVE PARTS

