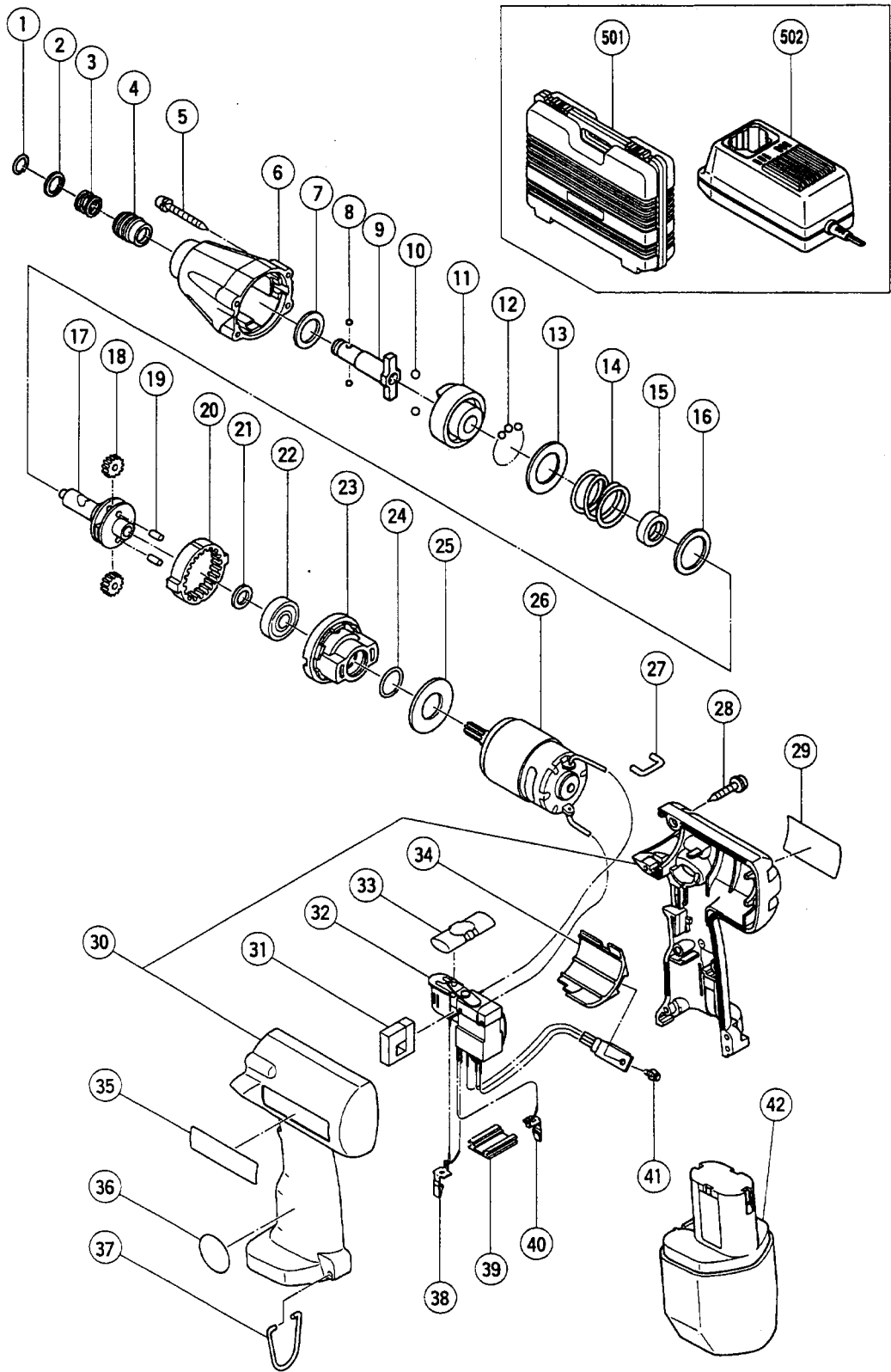


## ELECTRIC TOOL PARTS LIST

■ CORDLESS IMPACT DRIVER  
Model WH 12DC

1995 • 2 • 15  
(E1)





### STANDARD ACCESSORIES

WH 12DC

ITEM NO.	CODE NO.	DESCRIPTION	NO. USED	REMARKS	
501	306-308	CASE	1		
502		CHAGER (MODEL UC 12Y)			
		OPTIONAL ACCESSORIES			
601	992-671	+ DRIVER BIT (B) NO.2 50L	1		
602	992-672	+ DRIVER BIT (B) NO.3 50L	1		
603	996-177	NON – MAGNETIC HEX. SOCKET 8MM 65L	1		
604	985-329	NON – MAGNETIC HEX. SOCKET 10MM 65L	1		
605	996-178	NON – MAGNETIC HEX. SOCKET 12MM 65L	1		
606	998-179	NON – MAGNETIC HEX. SOCKET 13MM 65L	1		
607	996-180	NON – MAGNETIC HEX. SOCKET 14MM 65L	1		
608	996-185	NON – MAGNETIC HEX. SOCKET 15MM 65L	1		
609	996-181	NON – MAGNETIC HEX. SOCKET 16MM 65L	1		
610	996-182	NON – MAGNETIC HEX. SOCKET 17MM 65L	1		
611	998-186	NON – MAGNETIC HEX. SOCKET 19MM 65L	1		
612	996-197	HEX. SOCKET (LONG) 21MMX166L	1		
613	959-183	DRILL BIT FOR WOOD (HEX. SHAFT) D14X83	1		
614	996-195	DRILL CHUCK AND ADAPTER SET	1	INCLUD.615	
615	930-119	CHUCK WRENCH 8.5G	1		
616	307-824	HOLSTER	1		
617	308-090	HOOK (FOR CORDLESS TOOLS)	1		
618	971-042	GREASE FOR IMPACT WRENCH (100G)	1		

\*: ALTERNATIVE PARTS