

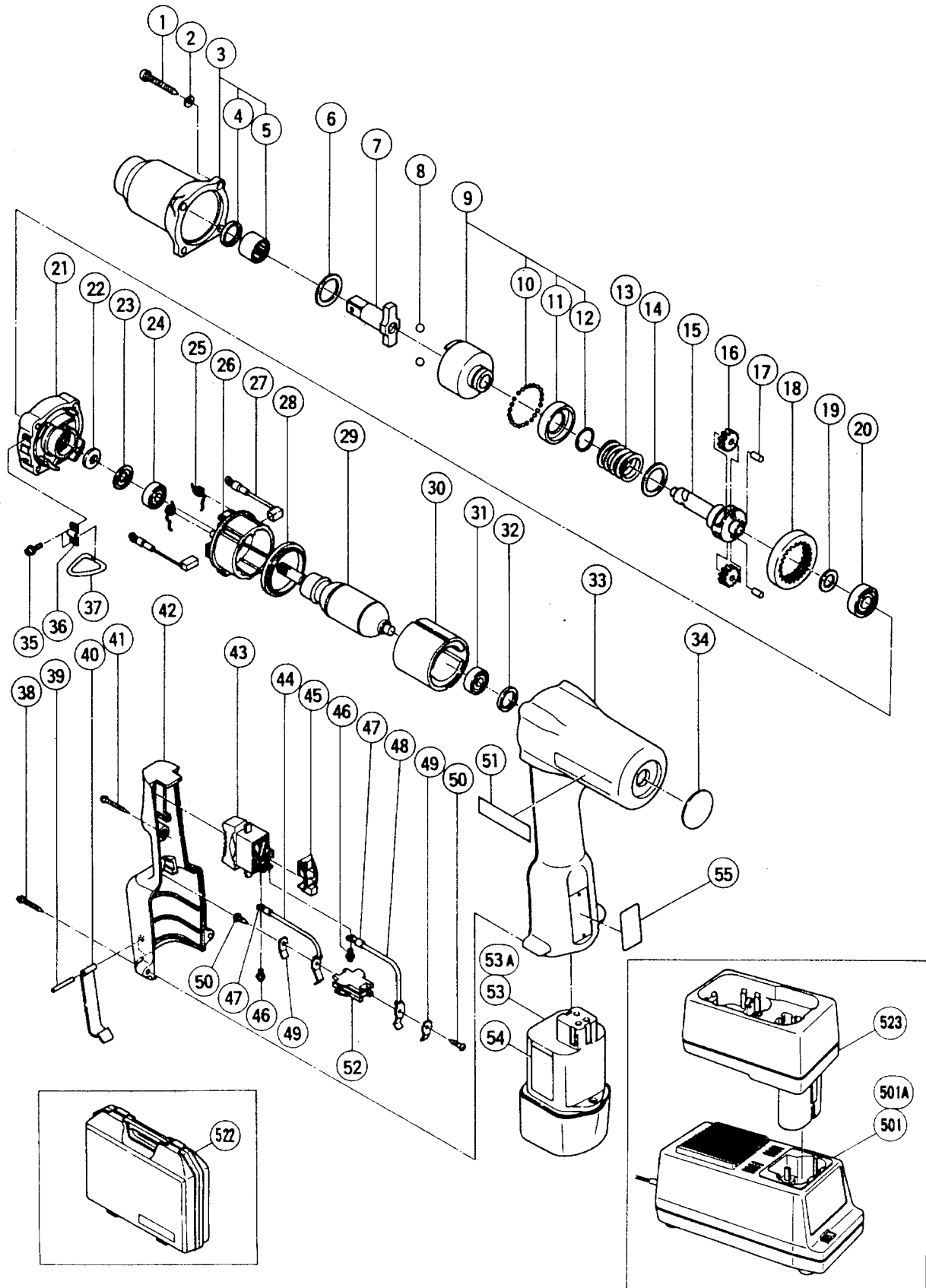
## ELECTRIC TOOL PARTS LIST

■ CORDLESS IMPACT WRENCH

1989-10-30

Model WH 10D

WH 10D(E3)



## PARTS

WH 10D

ITEM NO.	CODE NO.	DESCRIPTION	NO. USED	REMARKS
1	971-303	TAPPING SCREW D5X40	4	
2	949-454	SPRING WASHER M5 (10 PCS.)	4	
3	991-457	HAMMER CASE ASS'Y	1	INCLUD.4,5
4	991-458	OIL SEAL	1	
5	991-459	NEEDLE BEARING (HK1616)	1	
6	991-456	WASHER (A)	1	
* 7	991-469	ANVIL	1	
* 7	991-482	ANVIL (B)	1	FOR USA,CAN
8	959-154	STEEL BALL D5.558 (10 PCS.)	2	
9	991-472	HAMMER ASS'Y	1	INCLUD.10-12
10	959-148	STEEL BALL D3.175 (10 PCS.)	23	
11	991-453	SPRING SHEAT	1	
12	991-454	RETAINING RING	1	
13	991-451	SPRING	1	
14	991-450	WASHER (B)	1	
15	991-470	SPINDLE	1	
16	991-448	<del>ROLL GEAR</del>	2	318444
17	991-449	NEEDLE ROLLER	2	
18	991-447	RING GEAR	1	
19	991-455	WASHER (C)	1	
20	600-1CM	BALL BEARING 6001CM	1	
21	991-444	INNER COVER	1	
22	991-445	FELT WASHER	1	
23	991-446	PACKING WASHER	1	
24	608-VVM	BALL BEARING 608VVMC2EPS2L	1	
25	991-487	BRUSH SPRING	2	
26	991-481	BRUSH CASE	1	
27	991-488	CARBON BRUSH (1 PAIR)	2	
28	991-480	RUBBER RING (CR610)	1	
29	991-443	ARMATURE	1	
30	991-442	MAGNET	1	
31	608-VVM	BALL BEARING 608VVMC2EPS2L	1	
32	985-198	RUBBER WASHER	1	
33	991-440	HOUSING	1	
34	991-441	TAIL COVER	1	
35	987-203	SEAL LOCK SCREW (W/SP.WASHER) M4X12	2	
36	991-475	HANGER PLATE	1	
37	991-473	HANGER (B)	1	
38	956-838	TAPPING SCREW (W/WASHER) D4X25	2	
39	949-548	ROLL PIN D4X25 (10 PCS.)	1	
40	980-581	BATTERY CASE HOLDER	1	
41	982-095	TAPPING SCREW (W/WASHER) D4X20	1	
42	991-486	HANDLE COVER	1	
43	985-103	SWITCH (2P SCREW TYPE)	1	
44	991-482	TERMINAL ASS'Y	1	INCLUD.47
45	985-176	SWITCH ADAPTER	1	
46	980-060	MACHINE SCREW (W/WASHER) M3.5X5	4	
47	930-804	TERMINAL M4.0 (10 PCS.)	2	
48	991-483	TERMINAL ASS'Y	1	INCLUD.47
49	991-464	HOLDER SPRING	2	
50	954-017	TAPPING SCREW D4X12	2	
51	983-865	HITACHI LABEL	1	



## STANDARD ACCESSORIES

WH 10D

ITEM NO.	CODE NO.	DESCRIPTION	NO. USED	REMARKS
501		CHARGER (MODEL BC-3)	1	TILL REPLACED BY UC 12Y
501A		CHARGER (MODEL UC 12Y)	1	
522	991-479	CASE	1	
* 523	301-832	ADAPTER (W/ENGLISH CAUTION PLATE)	1	
* 523	301-833	ADAPTER (W/GERMAN CAUTION PLATE)	1	
* 523	301-834	ADAPTER (W/FRENCH CAUTION PLATE)	1	FOR FRA
* 523	301-835	ADAPTER (W/HOLLAND CAUTION PLATE)	1	FOR HOL
* 523	302-079	ADAPTER (W/FINLAND CAUTION PLATE)	1	FOR FIN
* 523	302-080	ADAPTER (W/NORWAY CAUTION PLATE)	1	FOR NOR

## OPTIONAL ACCESSORIES

ITEM NO.	CODE NO.	DESCRIPTION	NO. USED	REMARKS
601	873-632	HEX. SOCKET ASSY 12MMX40L	1	INCLUD.602,603
602	873-637	SOCKET PIN	1	
603	873-187	O-RING (J1S W1518)	1	
604	873-639	HEX. SOCKET ASSY 13MMX40L	1	INCLUD.602,603
605	873-640	HEX. SOCKET ASSY 14MMX40L	1	INCLUD.602,603
606	873-638	HEX. SOCKET ASSY 17MMX32L	1	INCLUD.602,603
607	873-624	HEX. SOCKET ASSY 19MMX34L	1	INCLUD.602,603
608	873-626	HEX. SOCKET ASSY 21MMX36L	1	INCLUD.602,603
609	873-627	HEX. SOCKET ASSY 22MMX40L	1	INCLUD.602,603
610	986-058	HEX. SOCKET FOR PLASTIC CONE 12MMX70L	1	INCLUD.602,603
611	873-633	EXTENSION BAR ASSY (SQUARE) 12.7	1	INCLUD.602,603
612	992-610	UNIVERSAL JOINT ASSY	1	INCLUD.602,603,613
613	955-153	PIN FOR UNIVERSAL JOINT	1	
614	955-138	HEX. SOCKET ASSY (LONG) 12MMX52L	1	INCLUD.602,603
615	955-139	HEX. SOCKET ASSY (LONG) 13MMX52L	1	INCLUD.602,603
616	955-140	HEX. SOCKET ASSY (LONG) 14MMX52L	1	INCLUD.602,603
617	955-141	HEX. SOCKET ASSY (LONG) 17MMX52L	1	INCLUD.602,603
618	955-142	HEX. SOCKET ASSY (LONG) 19MMX52L	1	INCLUD.602,603
619	955-149	HEX. SOCKET ASSY (LONG) 17MMX75L	1	INCLUD.602,603
620	955-150	HEX. SOCKET ASSY (LONG) 19MMX75L	1	INCLUD.602,603
621	955-143	HEX. SOCKET ASSY (LONG) 21MMX52L	1	INCLUD.602,603
622	955-144	HEX. SOCKET ASSY (LONG) 22MMX52L	1	INCLUD.602,603
623	930-036	GREASE (JF-375) (50G)	1	
624		CORNER ATTACHMENT (MODEL EW-14R)	1	
625	991-476	BIT ADAPTER	1	
626	955-151	HEX. SOCKET ASSY (LONG) 21MMX75L	1	INCLUD.602,603
627	991-480	HEX. SOCKET ASSY (LONG) 21MMX125L	1	INCLUD.602,603
628	993-658	SOCKET ASSY 12MMX95L FOR DUCT	1	INCLUD.602,603,629
629	993-659	SOCKET 12MMX52L FOR DUCT	1	
630	992-613	SOCKET ASSY 13MMX95L FOR DUCT	1	INCLUD.602,603,631
631	992-614	SOCKET 13MMX52L FOR DUCT	1	
632	992-615	SOCKET ASSY 14MMX95L FOR DUCT	1	INCLUD.602,603,633
633	992-616	SOCKET 14MMX52L FOR DUCT	1	