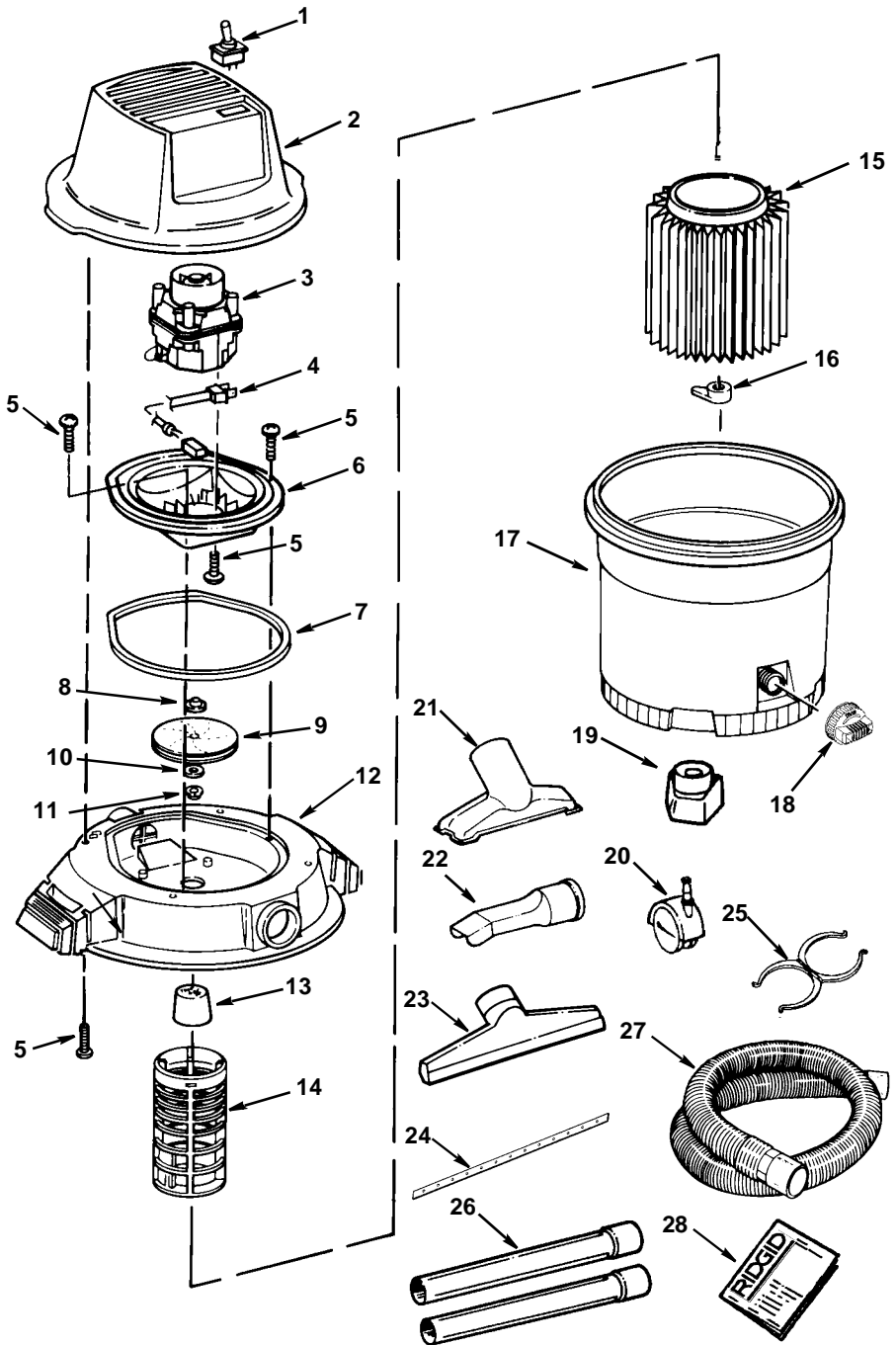


Repair Parts

Model Number WD12000 or WD16250

RIDGID parts are available on-line at www.ridgidparts.com



Repair Parts


12 or 16 U.S. Gallons Wet/Dry Vac Model Number WD12000 or WD16250

RIDGID parts are available on-line at www.ridgidparts.com

Always order by Part Number - Not by Key Number

WARNING

SERVICING OF DOUBLE-INSULATED WET/DRY VAC

In a double-insulated Wet/Dry Vac, two systems of insulation are provided instead of grounding. No grounding means is provided on a double-insulated appliance, nor should a means for grounding be added. Servicing a double-insulated Wet/Dry Vac requires extreme care and knowledge of the system, and should be done only by qualified service personnel. Replacement parts for a double-insulated Wet/Dry Vac must be identical to the parts they replace. Your double-insulated Wet/Dry Vac is marked with the words "DOUBLE INSULATED" and the symbol  (square within a square) may also be marked on the appliances.

Key No.	Model WD12000 Part No.	Model WD16250 Part No.	Description
1	73180	73180	Toggle Switch
2	823684-5	823684-5	Motor Cover
3	824967	823682	Motor (Includes Blower Wheel)
4	822467-7	822467-7	Cord w/plug
5	*	*	Screw, Pan Hd. Ty "AB" 10x3/4
6	823685-4	823685-4	Collector
7	818793	818793	Lid Gasket
8	818961	818961	Spacer
9	818413-2	818413-2	Blower Wheel
10	15534-1	15534-1	Washer
11	73352	73352	Nut, Hex Flange 1/4-20
12	823683-6	823690-6	Lid
13	509488	509488	Float
14	823201-1	823201-1	Filter Cage
15	VF4000	VF4000	† Filter
16	73316	73316	Filter Nut
17	826314	826319	Dust Drum
18	825881-2	825881-2	Drain Cap
19	818231	818231	Caster Foot w/Storage
20	822481	822481	Caster Twin Wheel
21	VT2509	VT2509	† Utility Nozzle
22	VT2503	VT2503	† Car Nozzle
23	VT2510	VT2510	† Wet Nozzle
24	822256	822256	Squeegee
25	818230-1	818230-1	Hose Lock
26	VT2508	VT2508	† Extension Wands
27	VT2507	VT2507	† Hose
28	SP6248	SP6248	Owners Manual

* Standard Hardware Item - May Be Purchased Locally

† These replacement parts are available where you purchased your vac.