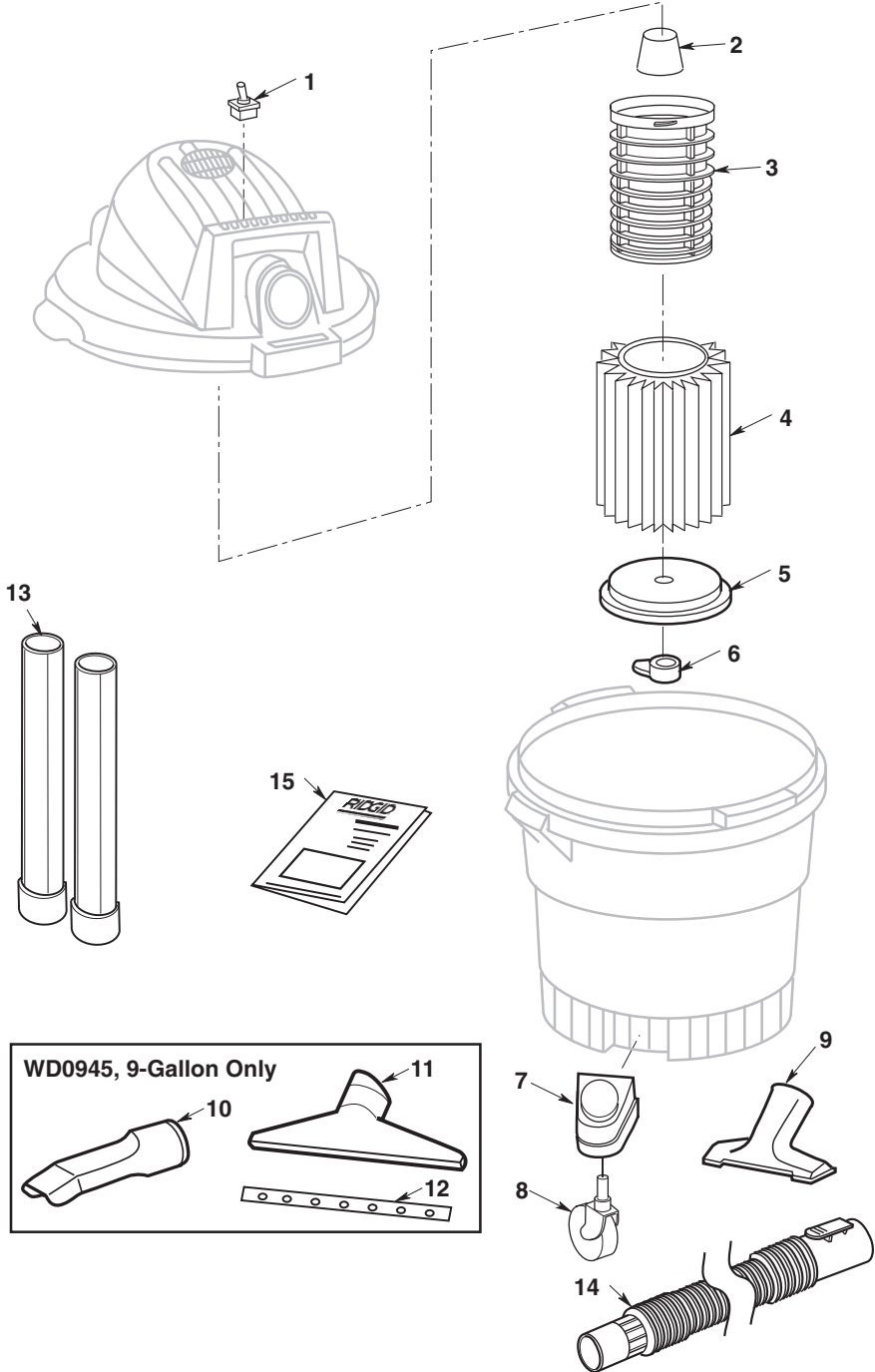


6 or 9 U.S. Gallons Wet/Dry Vac Model Number WD06250 or WD09450

RIDGID parts are available on-line at www.ridgidparts.com




Repair Parts

6 or 9 U.S. Gallons Wet/Dry Vac Model Number WD06250 or WD09450

RIDGID parts are available on-line at www.ridgidparts.com
Always order by Part Number - Not by Key Number

WARNING

SERVICING OF DOUBLE-INSULATED WET/DRY VAC

In a double-insulated Wet/Dry Vac, two systems of insulation are provided instead of grounding. No grounding means is provided on a double-insulated appliance, nor should a means for grounding be added. Servicing a double-insulated Wet/Dry Vac requires extreme care and knowledge of the system, and should be done only by qualified service personnel. Replacement parts for a double-insulated Wet/Dry Vac must be identical to the parts they replace. Your double-insulated Wet/Dry Vac is marked with the words "DOUBLE INSULATED" and the symbol  (square within a square) may also be marked on the appliance.

To reduce the risk of injury from electrical shock, unplug power cord before servicing the electrical parts of the Wet/Dry Vac.

Key No.	6 Gallon Part No.	9 Gallon Part No.	Description
1	813213	813213	Toggle Switch
2	509488	509488	Float
3	823201-1	823201-1	Filter Cage
4	VF4000	VF4000	† Filter
5	73317	73317	Filter Plate
6	73316	73316	Filter Nut
7	828833	828833	Caster Foot w/Storage
8	73137	73137	Caster
9	VT2509	VT2509	† Utility Nozzle
10	—	VT2503	† Car Nozzle (WD09450, 9-Gallon Only)
11	—	VT2510	† Wet Nozzle (WD09450, 9-Gallon Only)
12	—	822256	Squeegee (WD09450, 9-Gallon Only)
13	VT2508	VT2508	† Extension Wands
14	815097-6	815097-6	Hose
15	SP6480	SP6480	Owner's Manual

* Standard Hardware Item - May Be Purchased Locally

† These replacement parts are available where you purchased your vac.