

WCV 180

Reservdelar

Spare parts

Ersatzteile

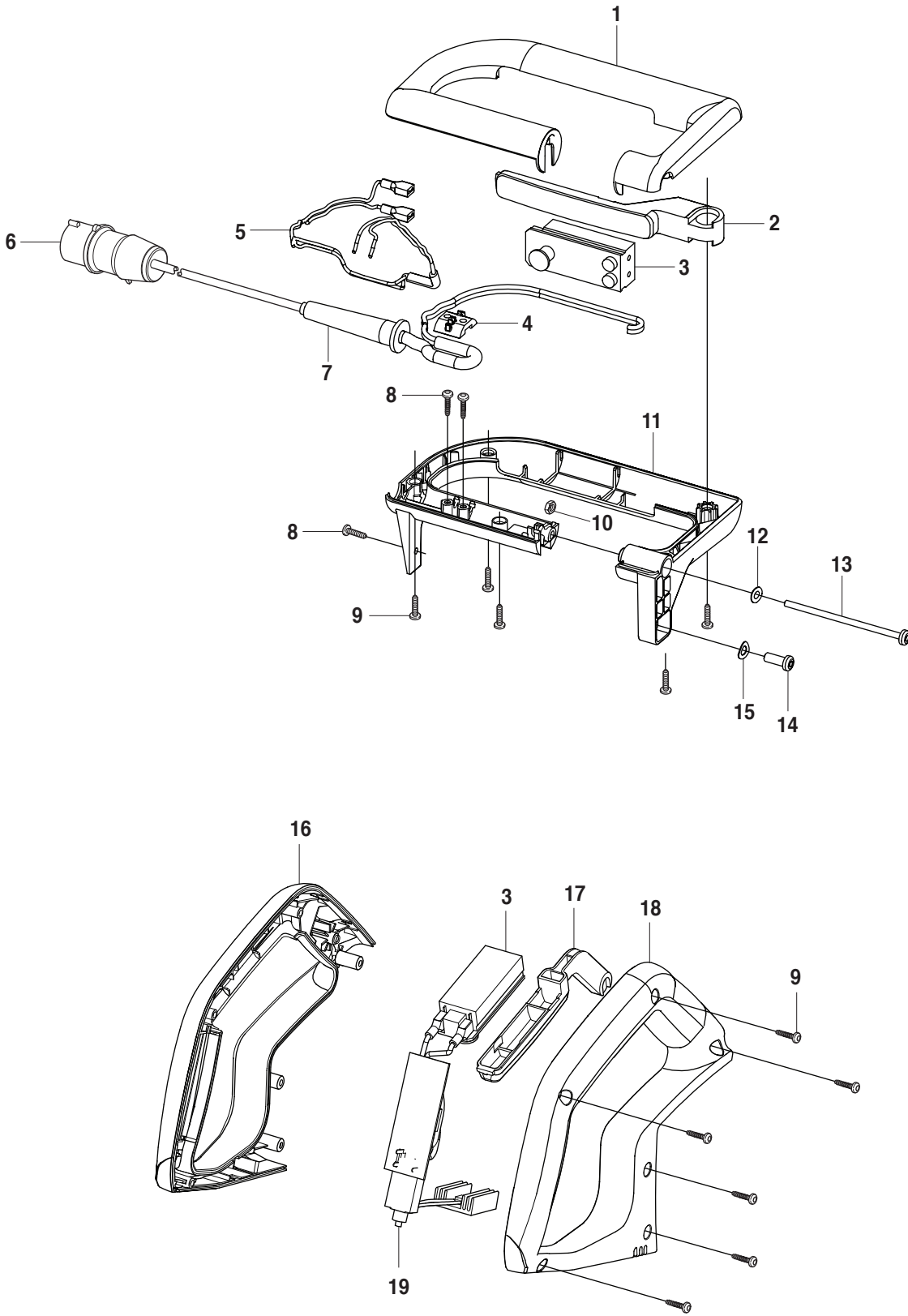
Pieces de rechange

Piezas de repuesto

Ricambi

Peças sobresselente

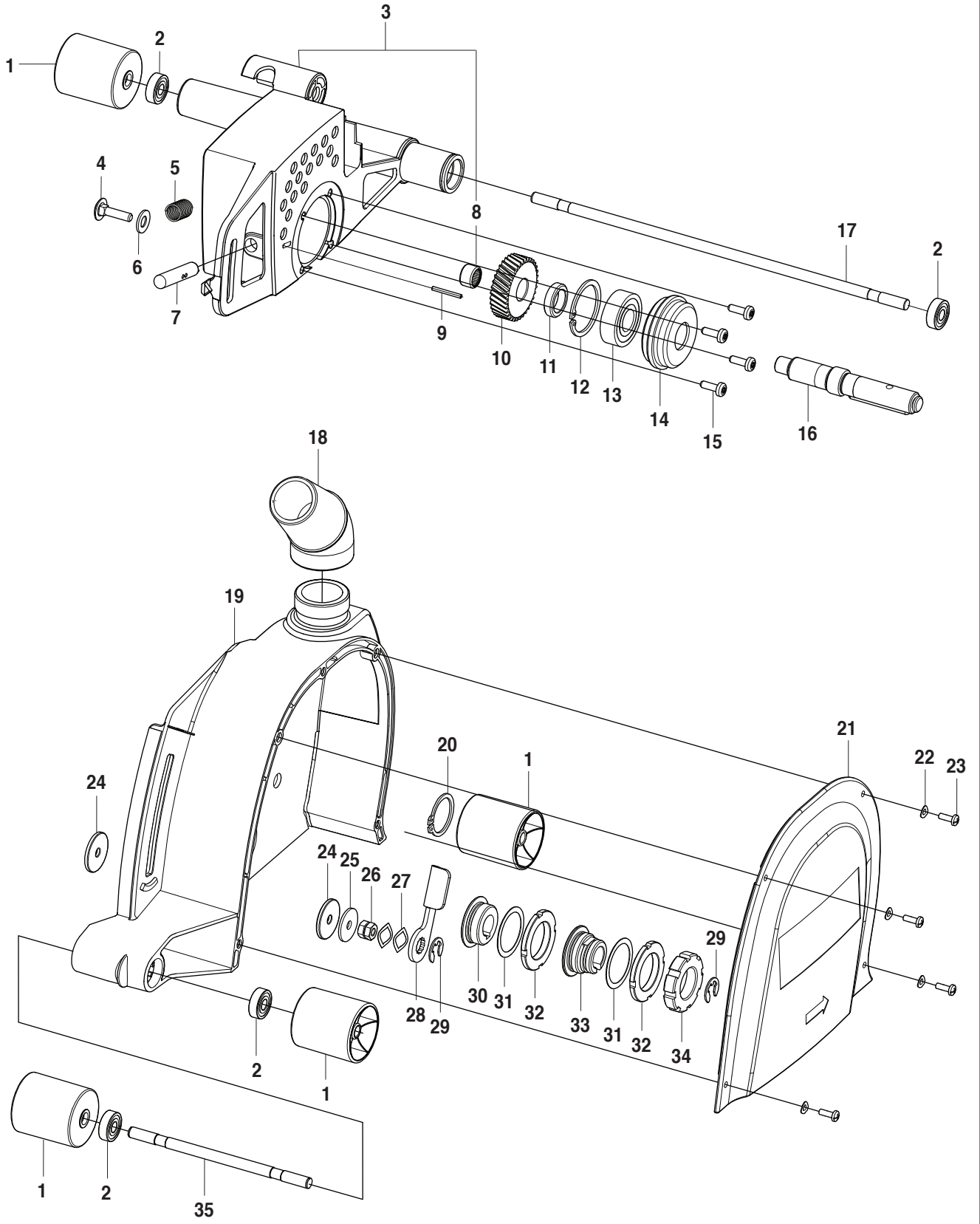
A WCV180
HANDLES



Page A
WCV180

Pos.	Part No.	Description	Quantity	Notes	New Part
1	575 40 57-01	HANDLE HALF	1		
2	575 40 51-01	LEVER	1		
3	575 40 08-01	SWITCH	2		
4	575 40 53-01	CABLE HOLDER	1		
5	575 40 56-01	CONDUCTOR	1	PAIR	
6	575 40 55-01	CABLE	1		
7	575 40 54-01	CABLE COVER	1		
8	575 39 56-01	SCREW	3		
9	575 40 09-01	SCREW	10		
10	575 40 52-01	NUT	1		
11	575 40 58-01	HANDLE HALF	1		
12	575 40 10-01	WASHER	1		
13	575 40 46-01	SCREW	1		
14	575 40 48-01	SCREW	1		
15	575 40 47-01	WASHER	1		
16	575 40 22-01	HANDLE HALF LEFT	1		
17	575 40 45-01	LEVER	1		
18	575 40 21-01	HANDLE HALF RIGHT	1		
19	575 40 50-01	MODULE	1		

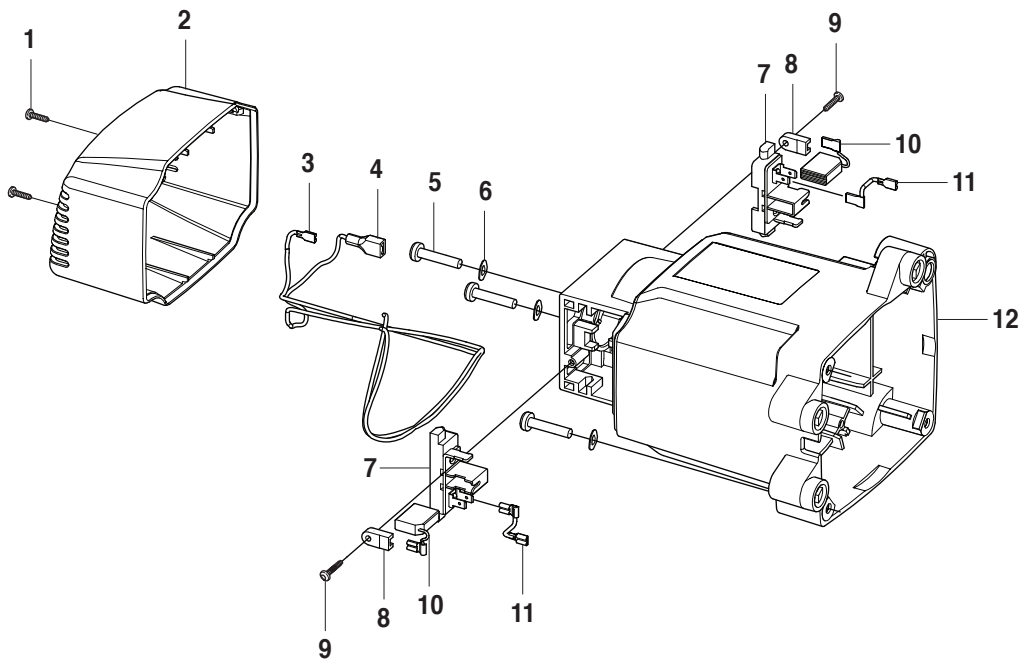
B WCV180
HOUSINGS



Page B
WCV180

Pos.	Part No.	Description	Quantity	Notes	New Part
1	575 40 05-01	WHEEL	4		
2	575 40 17-01	BEARING	4		
3	575 39 84-01	GEAR HOUSING	1		
4	575 40 24-01	SCREW	1		
5	575 39 87-01	SPRING	1		
6	575 40 23-01	WASHER	1		
7	575 39 89-01	LOCKING PIN	1	Incl. 8	
8	575 42 66-01	NEEDLE BEARING	1		
9	575 39 88-01	PIN	1		
10	575 39 91-01	GEAR	1		
11	575 39 92-01	DISTANCE	1		
12	575 39 93-01	RETAINER RING	1		
13	575 39 94-01	BEARING	1		
14	575 39 97-01	BEARING BUSHING	1		
15	575 40 49-01	SCREW	4		
16	575 39 95-01	SHAFT	1		
17	575 39 86-01	SHAFT	1		
18	575 40 20-01	SUCTION HOSE	1		
19	575 40 18-01	HOOD	1		
20	575 40 07-01	RETAINER RING	1		
21	575 40 15-01	COVER	1		
22	575 40 13-01	WASHER	4		
23	575 40 14-01	SCREW	4		
24	575 40 25-01	WASHER	2		
25	575 40 26-01	WASHER	1		
26	575 40 43-01	NUT	1		
27	575 40 41-01	WASHER	2		
28	575 40 42-01	LEVER	1		
29	575 40 44-01	RETAINER RING	2		
30	575 39 96-01	FLANGE	1		
31	575 39 90-01	WASHER	2		
32	575 40 00-01	NUT	2		
33	575 39 98-01	FLANGE	1		
34	575 39 99-01	NUT	1		
35	575 40 16-01	SHAFT	1		

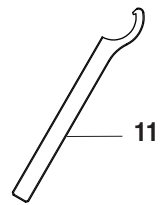
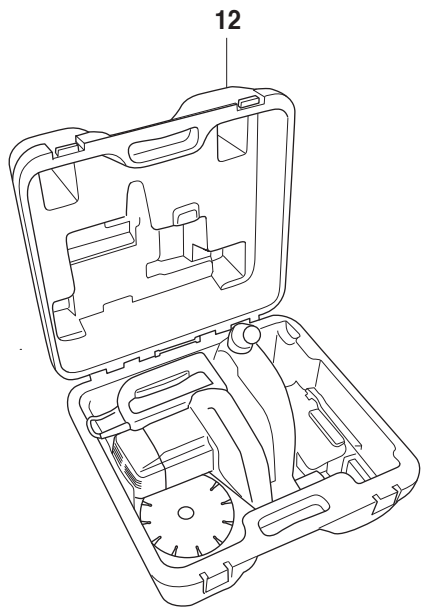
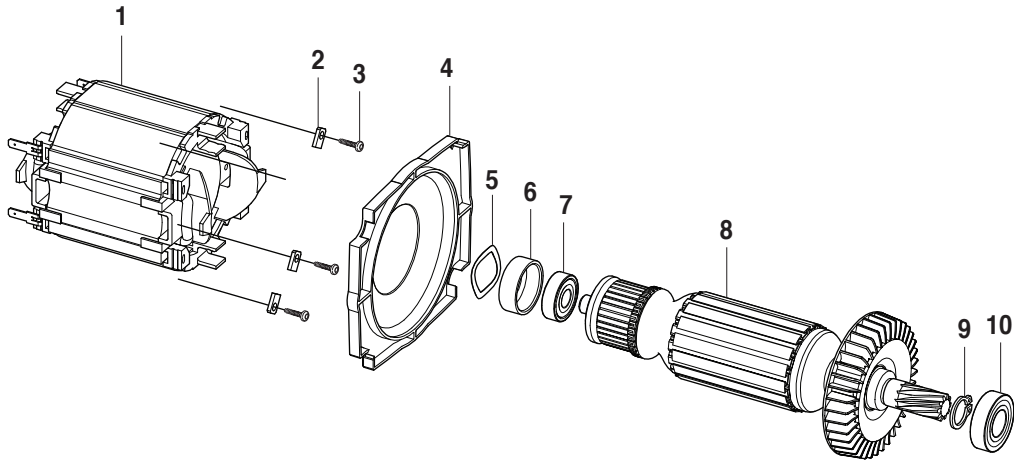
C WCV180
MOTOR HOUSINGS



Page C
WCV180

Pos.	Part No.	Description	Quantity	Notes	New Part
1	575 39 56-01	SCREW	2		
2	575 39 55-01	CAP	1		
3	575 39 66-01	CONDUCTOR	1		
4	575 39 65-01	CONDUCTOR	1		
5	575 40 12-01	SCREW	3		
6	575 40 10-01	WASHER	3		
7	575 40 01-01	BRUSH HOLDER	2		
8	575 40 04-01	HOLDER	2		
9	575 40 03-01	SCREW	2		
10	575 40 02-01	CARBON BRUSH	1	PAIR	
11	575 39 62-01	CONDUCTOR	2		
12	575 39 59-01	HOUSING	1		

D WCV180
MOTOR



Page D
WCV180

Pos.	Part No.	Description	Quantity	Notes	New Part
1	575 39 60-01	STATOR	1		
2	575 39 61-01	PLATE	4		
3	575 39 56-01	SCREW	4		
4	575 39 79-01	PLATE	1		
5	575 39 57-01	WASHER	1		
6	575 39 58-01	SLEEVE	1		
7	575 39 80-01	BEARING	1		
8	575 39 81-01	ROTOR	1		
9	575 39 82-01	RETAINER RING	1		
10	575 39 83-01	BEARING	1		
11	575 40 59-01	SPANNER	1		
12	575 41 56-01	BOX	1	Box Only!	
13	575 42 67-01	GREASE	1		