

WA20

Reservdelar

Spare parts

Ersatzteile

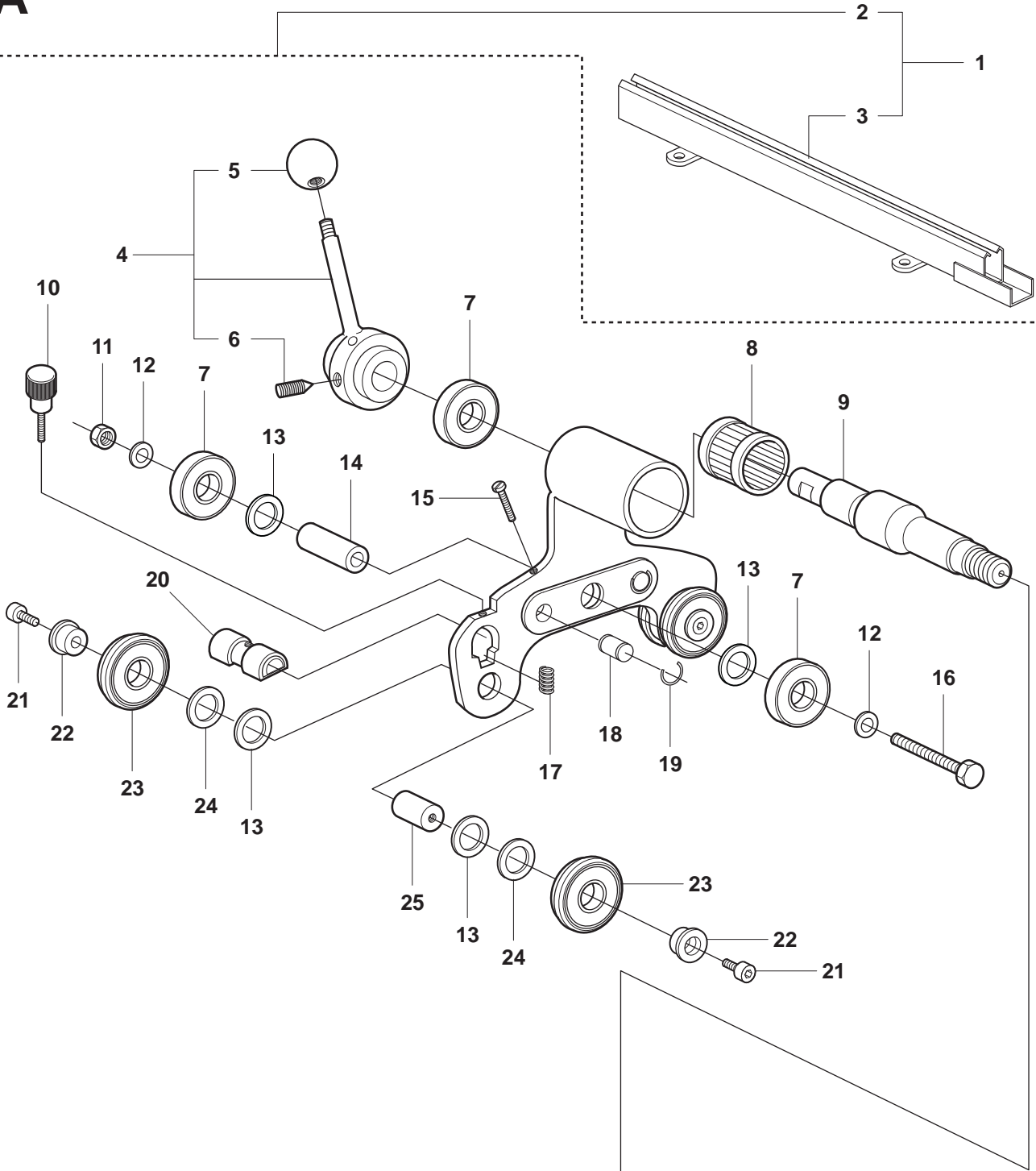
Pieces de rechange

Piezas de repuesto

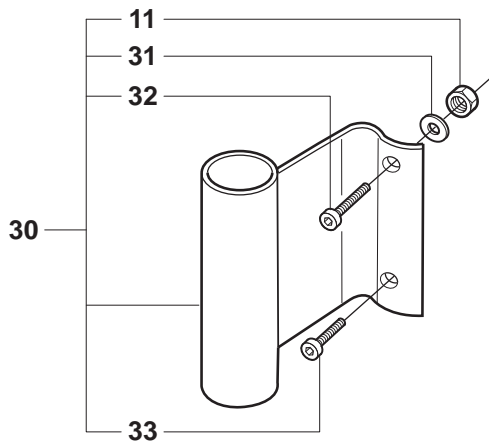
Ricambi

Peças sobresselente

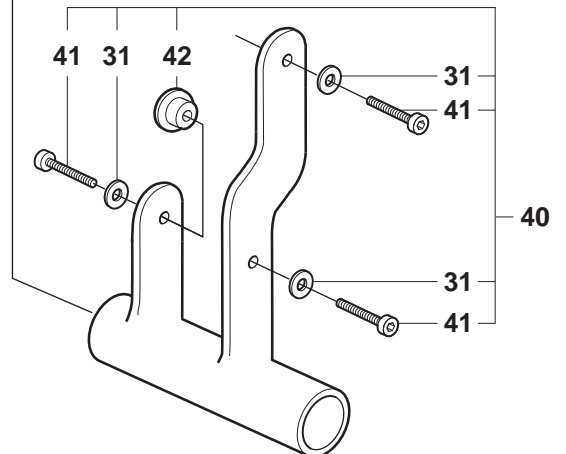
A WA20



K2500



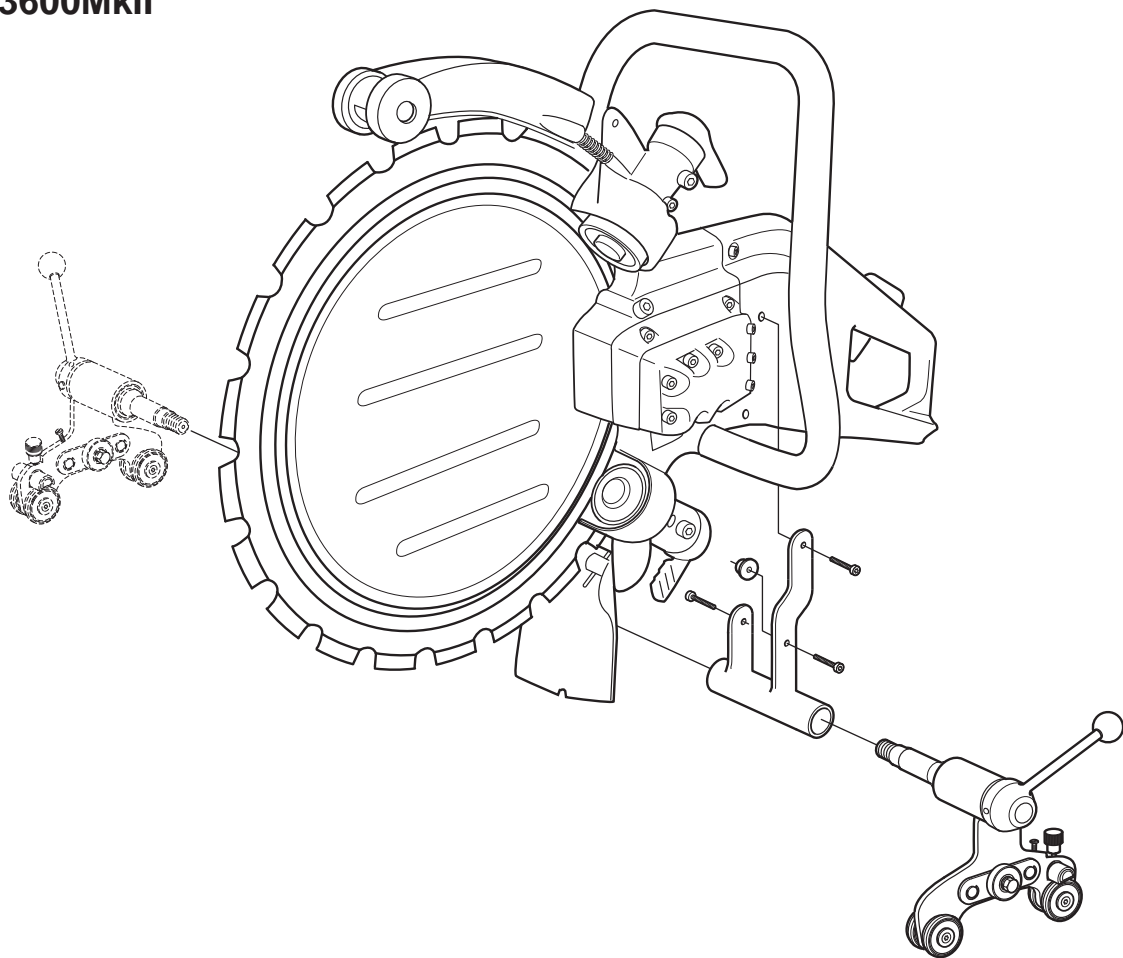
**K3600
K3600MkII**



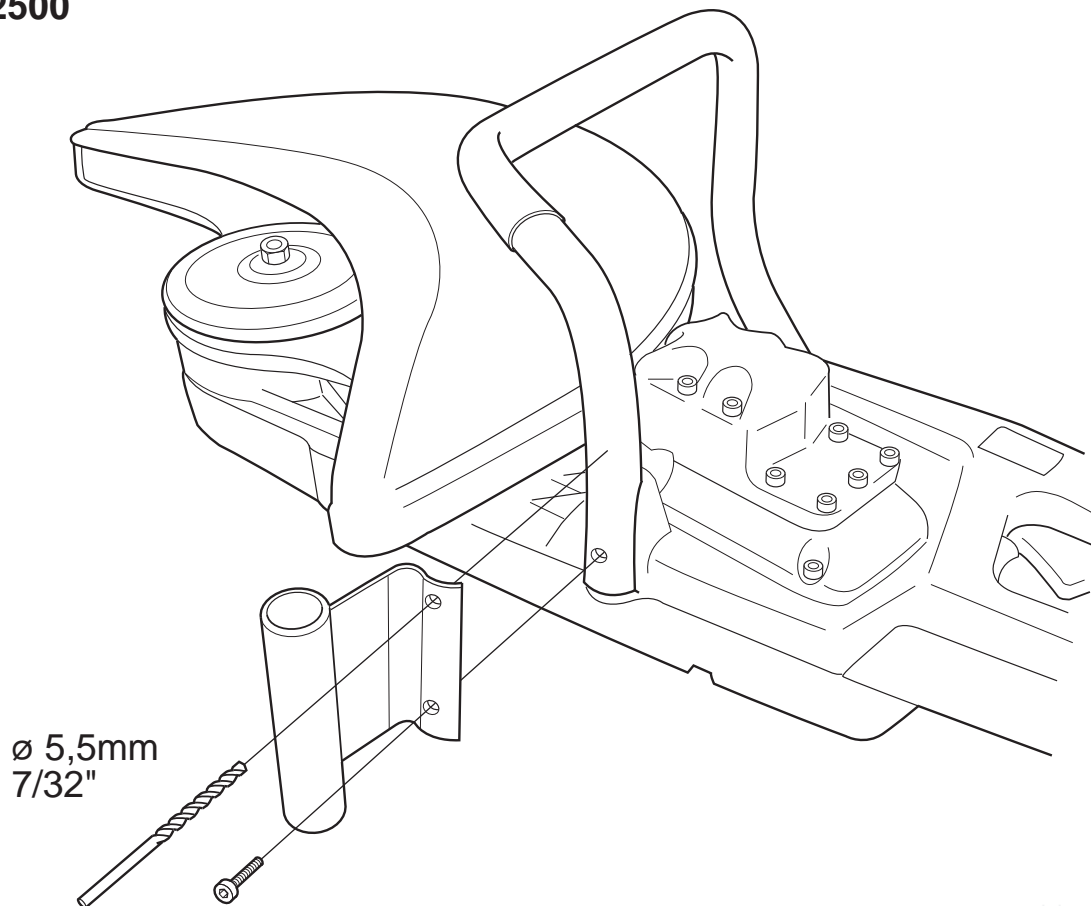
A WA20

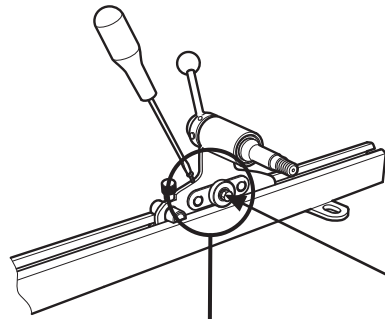
Pos.	Compl No.	Part No.	Description	Qty.	Notes
1		506 31 93-02	WAGON	1	Incl. 2, 3x2
2		506 31 93-01	WAGON	1	Incl. 4-26
3		506 33 87-03	BAR	1	
4		506 22 76-02	LOCKING HANDLE	1	Incl. 5, 6
5		506 38 54-01	KNOB	1	
6		728 74 49-06	SCREW IHSETM	1	
7		503 25 21-01	BALL BEARING	3	
8		506 22 78-01	NEEDLE BEARING	1	
9		506 22 74-01	SHAFT	1	
10		506 32 32-01	KNOB	1	
11		731 23 18-01	NUT	1	
12		506 32 37-01	WASHER	2	
13		506 32 27-01	WASHER	4	
14		506 32 28-01	BEARING	1	
15		723 13 70-01	SCREW	1	
16		725 24 61-51	SCREW	1	
17		506 32 31-01	SPRING	1	
18		506 32 29-01	SLEEVE	2	
19		735 31 10-00	CIRCLIP	4	
20		506 32 30-01	PLATE	1	
21		725 53 64-01	SCREW	2	
22		506 32 25-01	BUSHING	2	
23		506 32 26-01	BEARING	2	
24		506 32 36-01	WASHER	2	
25		506 32 24-01	BEARING	1	
30		506 32 35-01	BRACKET	1	Incl. 11, 31-33
31		734 11 46-01	WASHER	1	
32		725 53 37-55	SCREW	1	
33		725 53 33-55	SCREW	1	
40		506 32 33-01	BRACKET	1	Incl. 31, 41, 42
41		503 20 00-05	SCREW COLLAR	3	
42		506 32 34-01	BUSHING	1	

K3600
K3600MkII

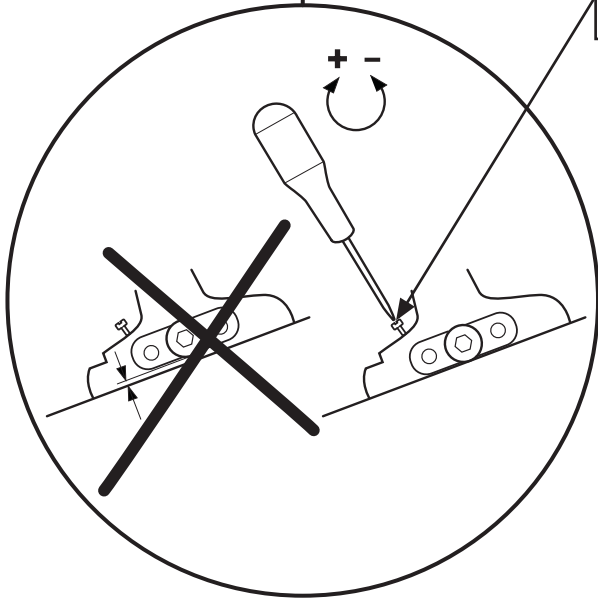


K2500





The play between the rail and the carriage can be adjusted by loosening the nut and adjusting the screw.



K3600
K3600 MkII
K2500

