

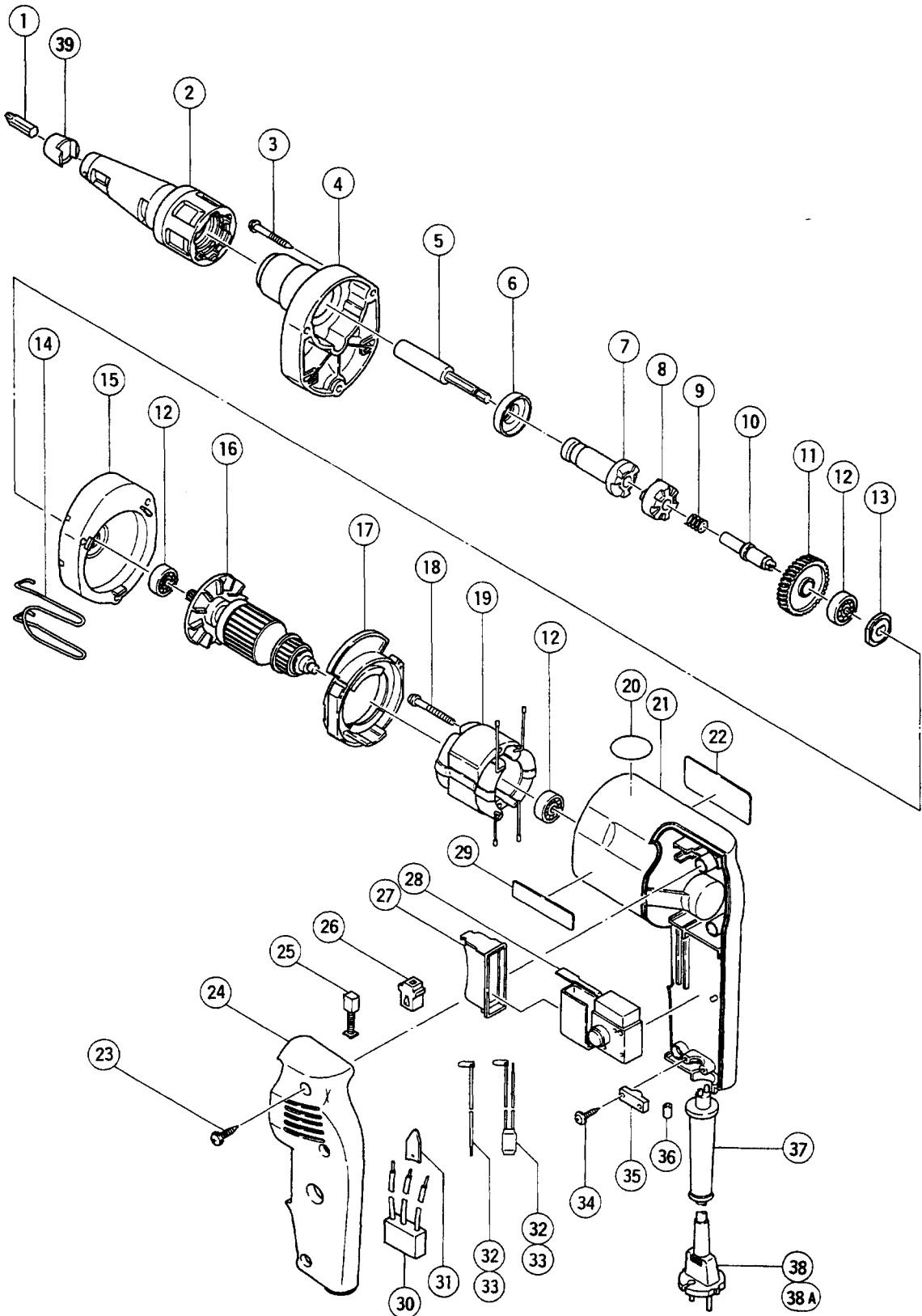
HITACHI

LIST NO. 0772

ELECTRIC TOOL PARTS LIST

■ SCREW DRIVER
Model W 6VA2

1993 · 5 · 31
(E2)



PARTS

W 6VA2

ITEM NO.	CODE NO.	DESCRIPTION	NO. USED	REMARKS
1	971-511Z	+ DRIVER BIT (A) NO.2 25L	1	
2	982-555Z	LOCATOR (A)	1	
3	303-694	TAPPING SCREW (W/FLANGE) D4X35	3	
4	303-693	GEAR COVER	1	
5	982-554Z	MAGNETIC BIT HOLDER	1	
6	971-468	FRINGER (A)	1	
7	303-692	SOCKET	1	
8	303-691	CLUTCH DISC	1	
9	303-690	SPRING	1	
10	303-689	GEAR SHAFT	1	
11	303-703	GEAR (B)	1	
12	608-VVM	BALL BEARING 608VVMC2EPS2L	3	
13	303-687	WASHER (A)	1	
14	950-511	HOOK	1	
15	303-686	INNER COVER	1	
*	16	360-212U	ARMATURE ASS'Y 110V - 127V	1 INCLUD.12
*	16	360-212E	ARMATURE 220V - 230V	1
*	16	360-212F	ARMATURE 240V	1
17	303-685	FAN GUIDE	1	
18	982-631	TAPPING SCREW (W/SP. WASHER) D4X50	2	
*	19	340-224J	STATOR 110V - 115V	1
*	19	340-224D	STATOR 120V - 127V	1
*	19	340-224G	STATOR 220V - 230V	1
*	19	340-224H	STATOR 240V	1
*	20		MARK PLATE	1 FOR SWE
21	303-684	HOUSING	1	
22		NAME PLATE	1	
23	301-653	TAPPING SCREW (W/FLANGE) D4X20	3	
24	303-695	HANDLE COVER	1	
*	25	999-041	CARBON BRUSH (1 PAIR)	2
*	25	999-080	CARBON BRUSH (AUTO STOP TYPE) (1 PAIR)	2 FOR USA
26	930-483	BRUSH HOLDER	2	
27	303-698	SWITCH RUBBER COVER	1	
*	28	303-697	SWITCH (J) (2P PILLAR TYPE) W/LOCK	1 110V - 127V
*	28	303-698	SWITCH (K) (2P PILLAR TYPE) W/LOCK	1 220V - 240V
29		HITACHI LABEL	1	
*	30	994-273	NOISE SUPPRESSOR	1 FOR GBR,FRG,FRA,HOL,DEN,FIN,SWE,NOR, SUI,ITA
*	31	992-635	EARTH TERMINAL	1 FOR NOISE SUPPRESSOR
*	32	303-699	INTERNAL WIRE CHOKE COIL	1
*	32	303-700	INTERNAL WIRE CHOKE COIL	1 FOR GBR,FRG,FRA,HOL,DEN,FIN,SWE,NOR, ITA
*	32	305-196	INTERNAL WIRE CHOKE COIL	1 FOR SUI
*	33	303-701	INTERNAL WIRE CHOKE COIL	1
*	33	303-702	INTERNAL WIRE CHOKE COIL	1 FOR GBR,FRG,FRA,HOL,DEN,FIN,SWE,NOR, SUI,ITA
34	984-750	TAPPING SCREW (W/FLANGE) D4X16	2	
35	937-631	CORD CLIP	1	
*	36	981-373	TUBE (D)	2 FOR CORD
*	37	953-327	CORD ARMOR D8.8	1
*	37	938-051	CORD ARMOR D10.1	1

*: ALTERNATIVE PARTS

PARTS

W 6VA2

ITEM NO.	CODE NO.	DESCRIPTION	NO. USED	REMARKS		
*	38	500-409Z	CORD	1	(CORD ARMOR D8.8)	
*	38	500-240Z	CORD	1	(CORD ARMOR D8.8) FOR USA,CAN	
*	38	500-421Z	CORD	1	(CORD ARMOR D8.8) FOR SIN,KUW	
*	38	500-228Z	CORD	1	(CORD ARMOR D8.8) FOR NGU,AUS	
*	38	500-245Z	CORD	1	(CORD ARMOR D10.1) FOR SYR	
*	38	500-231Z	CORD	1	(CORD ARMOR D8.8) FOR GBR (110V)	
*	38	500-385Z	CORD	1	(CORD ARMOR D8.8) FOR SUI	
*	38A	500-438Z	CORD	1	(CORD ARMOR D8.8) FOR GBR (240V)	
*	39	305-690	RUBBER RING	1	FOR GBR,FRG,FRA,HOL,DEN,FIN,SWE	

OPTIONAL ACCESSORIES

ITEM NO.	CODE NO.	DESCRIPTION	NO. USED	REMARKS		
	601	982-568Z	LOCATOR	1		
	602	982-563Z	NON - MAGNETIC BIT HOLDER	1		
	603	985-333	+ DRIVER BIT NO.1 25L	1		
	604	971-512Z	+ DRIVER BIT (A) NO.3 25L	1		
	605	985-334	+ DRIVER BIT NO.1 25L W/STEPPED ROD	1		
	606	985-335	+ DRIVER BIT NO.2 25L W/STEPPED ROD	1		
	607	982-569	CASE (STEEL) ASS'Y	1		

* : ALTERNATIVE PARTS