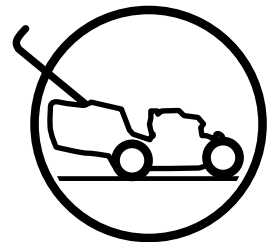


968999283 /W21K
968999285 /W21H
968999287 /W53SBEK
968999639 /W21SKC

Parts Manual
968999284 /W21SK
968999286 /W21SBK
968999289 /W53SE
968999640 /W21SBKC
968999778 /W21SBHC

Please read the operator's manual carefully and make sure you understand the instructions before using the machine.



English

MODEL NUMBER _____

SERIAL NUMBER _____

DATE PURCHASED _____

DEALER ADDRESS _____

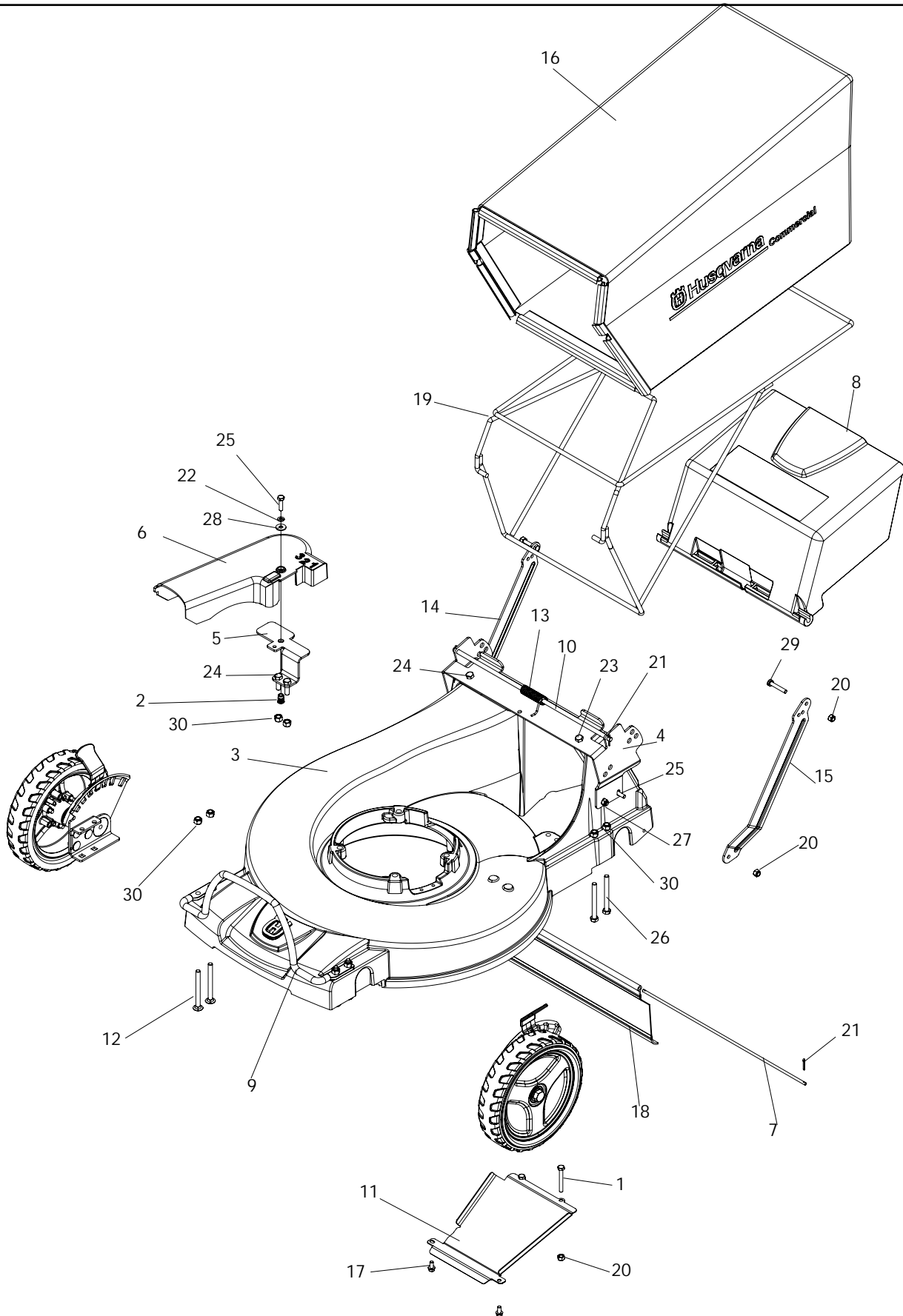
NOTES: _____

CONTENTS

CHASSIS / FRAME	4	ENGINE PLATE	
WHEELS & TIRES		KAWASAKI ZONE	26
MODEL 968999283 ONLY	6	KAWASAKI BBC	28
SELF PROPELLED	8	HONDA BBC	30
PUSH	10	HONDA ZONE	32
HANDLE & CONTROLS		DECALS	34
SELF PROPELLED	12	ACCESSORIES	36
BLADE, BRAKE, CLUTCH (BBC)	16	MULCH KIT 539 113052 (BRAKE)	36
CUTTING EQUIPMENT	20	MULCH KIT 539 113051 (BBC)	36
TRANSMISSION	24		

NOTE: ALL FASTENERS ARE GRADE 5 UNLESS OTHERWISE SPECIFIED.

CHASSIS / FRAME

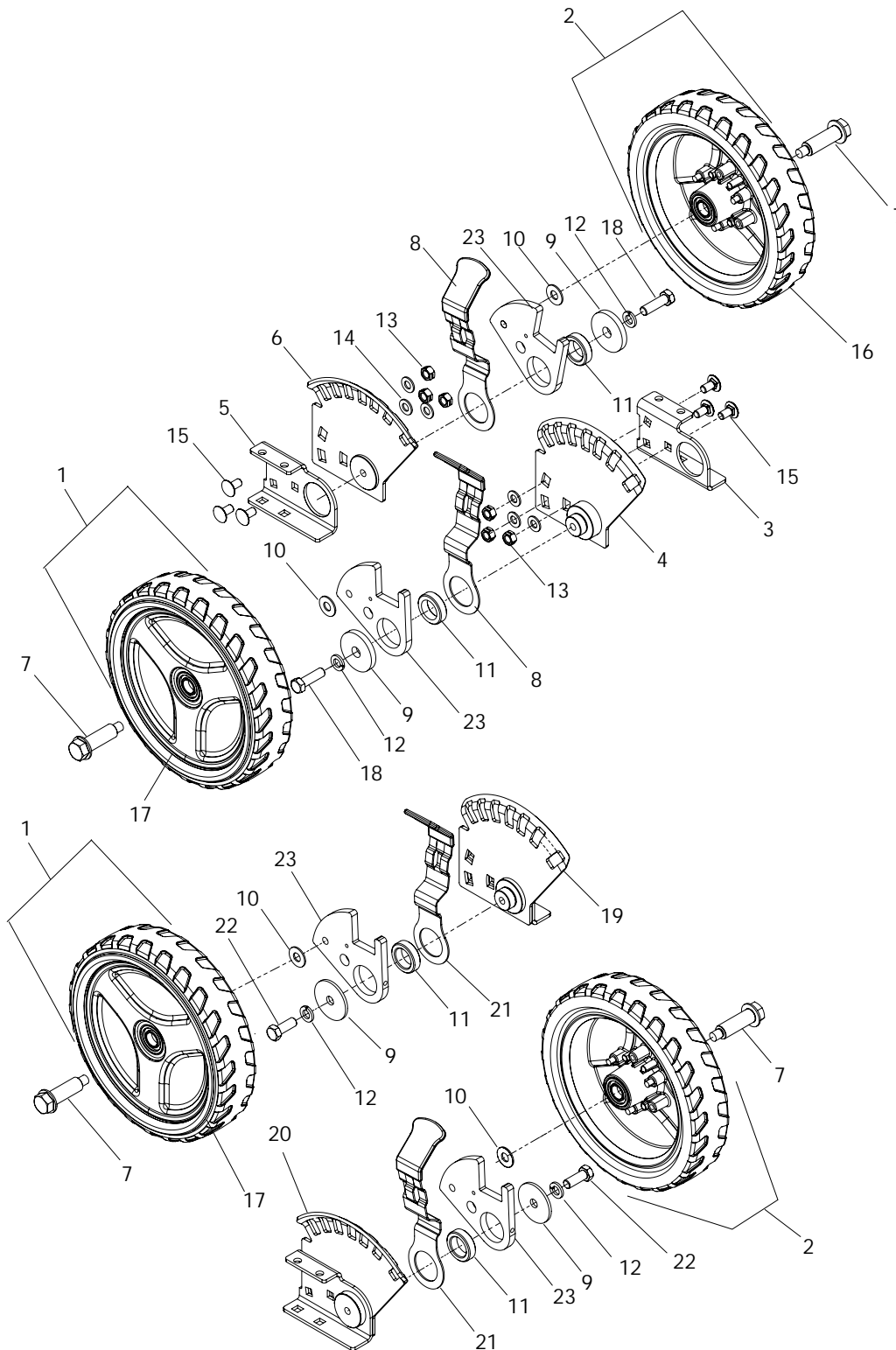


CHASSIS / FRAME

ITEM	PART NO.	QTY.	DESCRIPTION	ITEM	PART NO.	QTY.	DESCRIPTION
1..	539 101313....	2	HCS ¼-20 x 2	17..	539 112793....	2	SCREW ¼-14 x ½, THD FRM
2..	539 108147....	1	NUT ¼-20, KRLD, SPEC	18..	539 130536....	1	REAR FLAP
3..	539 113049....	1	DECK W/DECALS	19..	539 113545....	1	BAG FRAME
4..	539 111521....	1	SADDLE, TOP	20..	539 976978....	8	NUT ¼-20 HEX NYLOC
5..	539 111530....	1	BRACKET, DECK	21..	539 990037....	4	PIN COTTER, ³ / ₃₂ x ³ / ₄
6..	539 111536....	1	BELT SHIELD	22..	539 990052....	1	WASHER ¼
7..	539 111538....	1	FLAP ROD	23..	539 990206....	1	HCS ⁵ / ₁₆ -18 x ³ / ₄
8..	539 111540....	1	DISCHARGE FLAP	24..	539 990209....	3	HCS ⁵ / ₁₆ -18 x 1
9..	539 111863....	1	ENGINE GUARD	25..	539 990548....	3	HCS ¼-20 x 1
10..	539 111868....	1	HINGE ROD	26..	539 990553....	4	HCS ⁵ / ₁₆ -18 x 3
11..	539 111964....	1	CHUTE BOTTOM	27..	539 990580....	2	HCS ¼-20 x ³ / ₄
12..	539 111977....	4	RHSNB ⁵ / ₁₆ -18 x 3¼	28..	539 990598....	1	WASHER ¼
13..	539 111995....	1	SPRING, TORSION	29..	539 990639....	2	HCS ¼-20 x 1 ½
14..	539 112047....	1	HANDLE BRACE, RT	30..	539 990717..	12	NUT ⁵ / ₁₆ -18 HEX NYLOC
15..	539 112111....	1	HANDLE BRACE, LT				
16..	539 112293....	1	GRASS BAG				
	539 112948....	1	GRASS BAG MODELS 968999287 968999289 ONLY				

WHEELS & TIRES

MODEL 968999283 ONLY

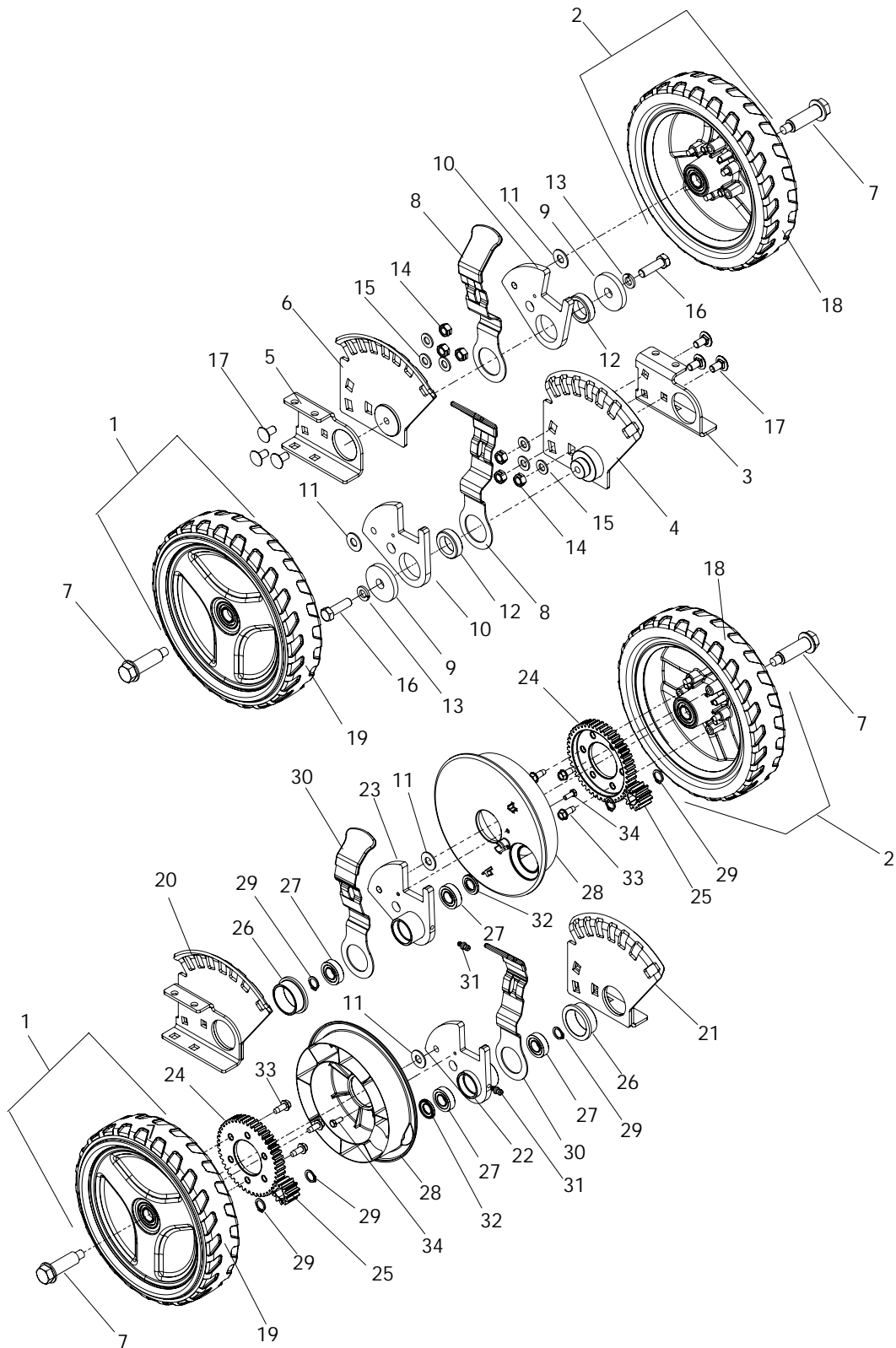


WHEELS & TIRES

ITEM	PART NO.	QTY.	DESCRIPTION	ITEM	PART NO.	QTY.	DESCRIPTION
1..	539 1115032 WHEEL ASSEM, LT	15..	539 9907996 RHSNB $\frac{5}{16}$ -18 x $\frac{5}{8}$
2..	539 1119722 WHEEL ASSEM, RT	16..	539 1119712 TIRE 9" RT
3..	539 1118861 FRONT DECK PLATE, LT	17..	539 1115022 TIRE 9" LT
4..	539 1118881 FRONT PLATE, LT	18..	539 9769412 HCS $\frac{3}{8}$ -16 x $1\frac{1}{4}$
5..	539 1118871 FRONT DECK PLATE, RT	19..	539 1118951 REAR WHEEL MOUNT, LT
6..	539 1118891 FRONT PLATE, RT	20..	539 1118961 REAR WHEEL MOUNT, RT
7..	539 1118734 SHOULDER BOLT	21..	539 1119502 LEVER
8..	539 1118942 LEVER	22..	539 9905632 HCS $\frac{3}{8}$ -16 x 1
9..	539 1065042 WASHER $\frac{3}{8}$, SPEC	23..	539 1119554 WHEEL PLATE
10..	539 1127894 WASHER AXLE	24..			
11..	539 1102674 BUSHING				NOT SHOWN
12..	539 9901184 WASHER $\frac{3}{8}$ SPLT LOCK		539 1115042 BEARING, WHEEL
13..	539 9901846 NUT $\frac{5}{16}$ -18, CENTER LOCK				
14..	539 9901886 WASHER $\frac{5}{16}$, SAE				

WHEELS & TIRES

SELF PROPELLED

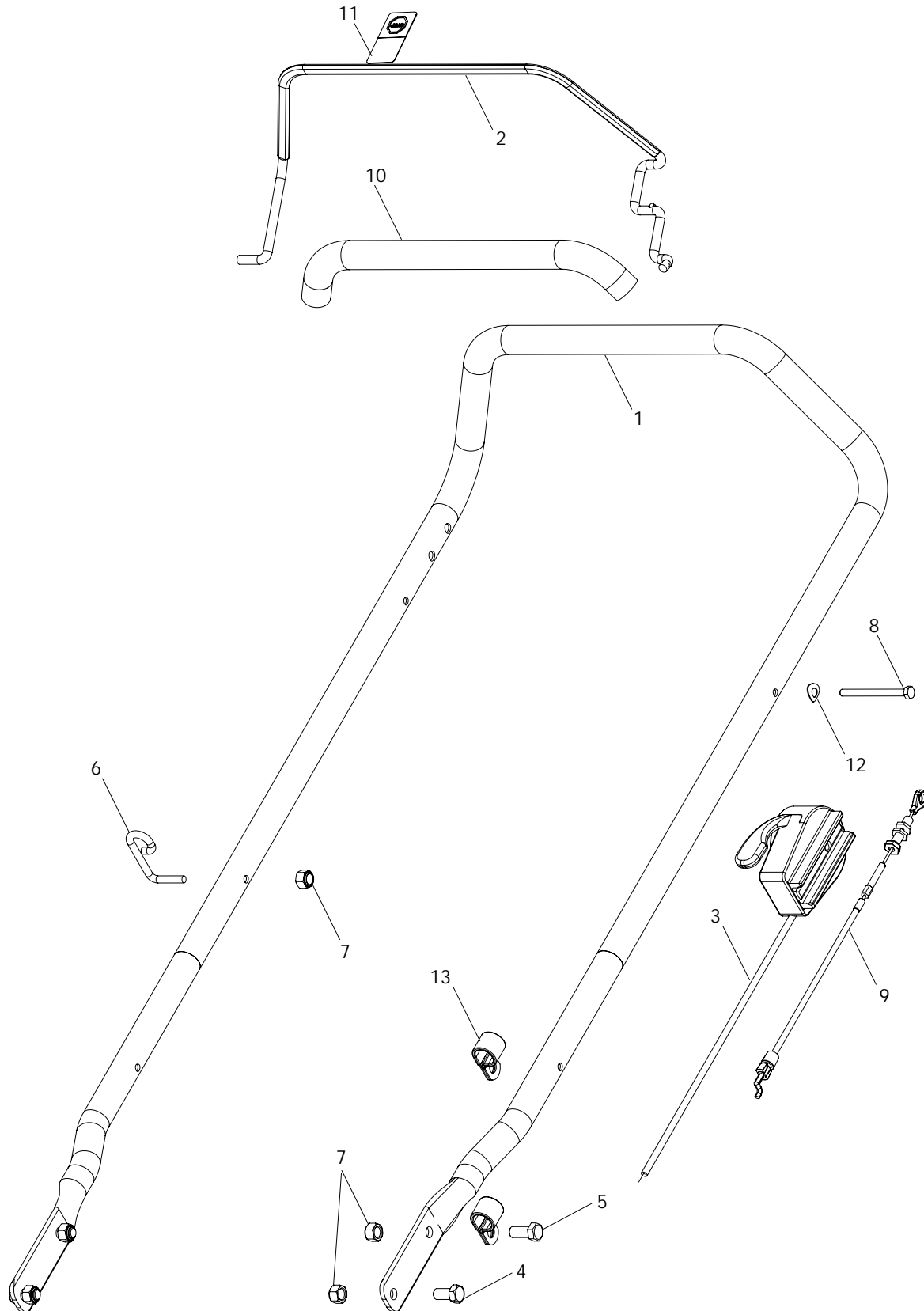


WHEELS & TIRES

ITEM	PART NO.	QTY.	DESCRIPTION	ITEM	PART NO.	QTY.	DESCRIPTION
1..	539 1115031 WHEEL ASSEM, LT	20..	539 1115131 WHEEL MOUNT, LT
2..	539 1119721 WHEEL ASSEM, RT	21..	539 1118751 WHEEL MOUNT, RT
3..	539 1118861 FRONT DECK PLATE, LT	22..	539 1115191 OUTER WHEEL PLATE, LT
4..	539 1118881 FRONT PLATE, LT	23..	539 1118671 OUTER WHEEL PLATE, RT
5..	539 1118871 FRONT DECK PLATE, RT	24..	539 1115092 PINION GEAR, 11 TOOTH
6..	539 1118891 FRONT PLATE, RT	25..	539 1115112 DRIVEN GEAR, 45 TOOTH
7..	539 1118732 SHOULDER BOLT	26..	539 1115162 BUSHING
8..	539 1118942 LEVER	27..	539 1115174 BEARING, TRANS SHAFT
9..	539 1065042 WASHER ³ / ₈ , SPEC	28..	539 1115472 DEBRIS GUARD
10..	539 1119552 WHEEL PLATE, FRONT	29..	539 1118726 RETAINING RING, 1/2, EXT
11..	539 1127894 WASHER AXLE	30..	539 1119502 LEVER
12..	539 1102672 BUSHING	31..	539 1156382 ZERK, ³ / ₁₆ , DRIVE IN
13..	539 9901182 WASHER ³ / ₈ SPLT LOCK	32..	539 1131382 SPACER, WASHER
14..	539 9901846 NUT ⁵ / ₁₆ -18, CENTER LOCK	33..	539 9903626 SCREW 1/4-20 x ⁵ / ₈ , SLF TAP
15..	539 9901886 WASHER ⁵ / ₁₆ , SAE	34..	539 9904112 SCREW #10-24 x 1/2 SLT HEX
16..	539 9769412 HCS ³ / ₈ -16 x 1 1/4	NOT SHOWN			
17..	539 9907996 RHSNB ⁵ / ₁₆ -18 x ⁵ / ₈	539 1115044 BEARING, WHEEL	
18..	539 1119711 TIRE 9" RT				
19..	539 1115021 TIRE 9" LT				

HANDLE & CONTROLS

PUSH
MODEL 968999283



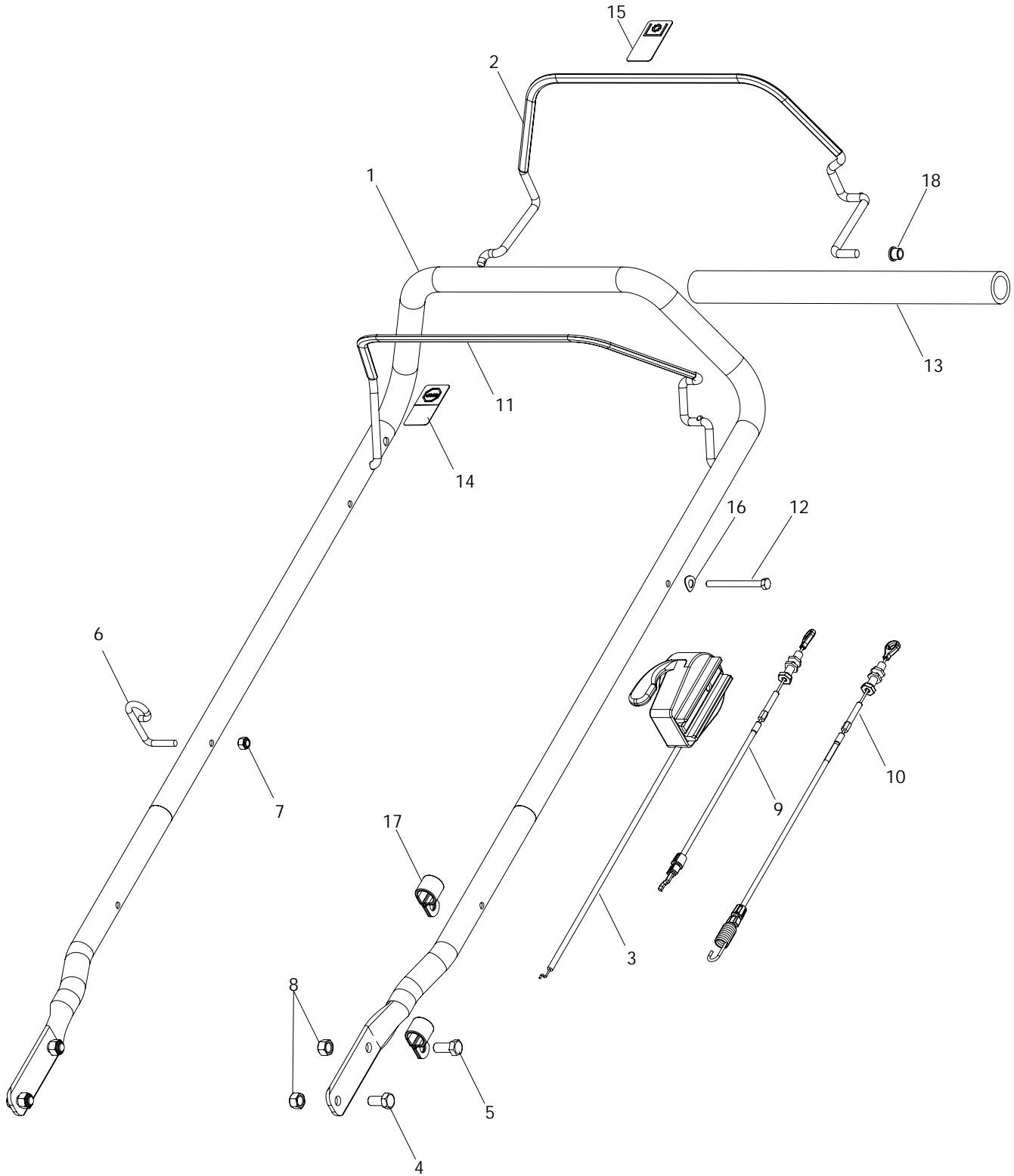
HANDLE & CONTROLS

ITEM	PART NO.	QTY.	DESCRIPTION
1..	539 1131171	HANDLE
2..	539 1129081	BAIL
3..	539 1131081	CABLE, THROTTLE
4..	539 9901344	HCS $\frac{3}{8}$ -16 x $\frac{3}{4}$
5..	539 1085072	HCS $\frac{3}{8}$ -16 x $\frac{7}{8}$
6..	539 1129221	ROPE GUIDE
7..	539 9769794	NUT $\frac{3}{8}$ -16 HEX NYLOC

ITEM	PART NO.	QTY.	DESCRIPTION
8..	539 1122761	HCS M6-1 x 70 GR 8.8
9..	539 1131091	CABLE, ZONE
10..	539 1226351	GRIP, HANDLE
11..	539 1130671	DECAL, STOP SIGN
12..	539 1104882	WASHER $\frac{5}{16}$ WAVE
13..	539 1026854	CLIP

HANDLE & CONTROLS

SELF PROPELLED
MODELS 968999284, 968999289, 968999639

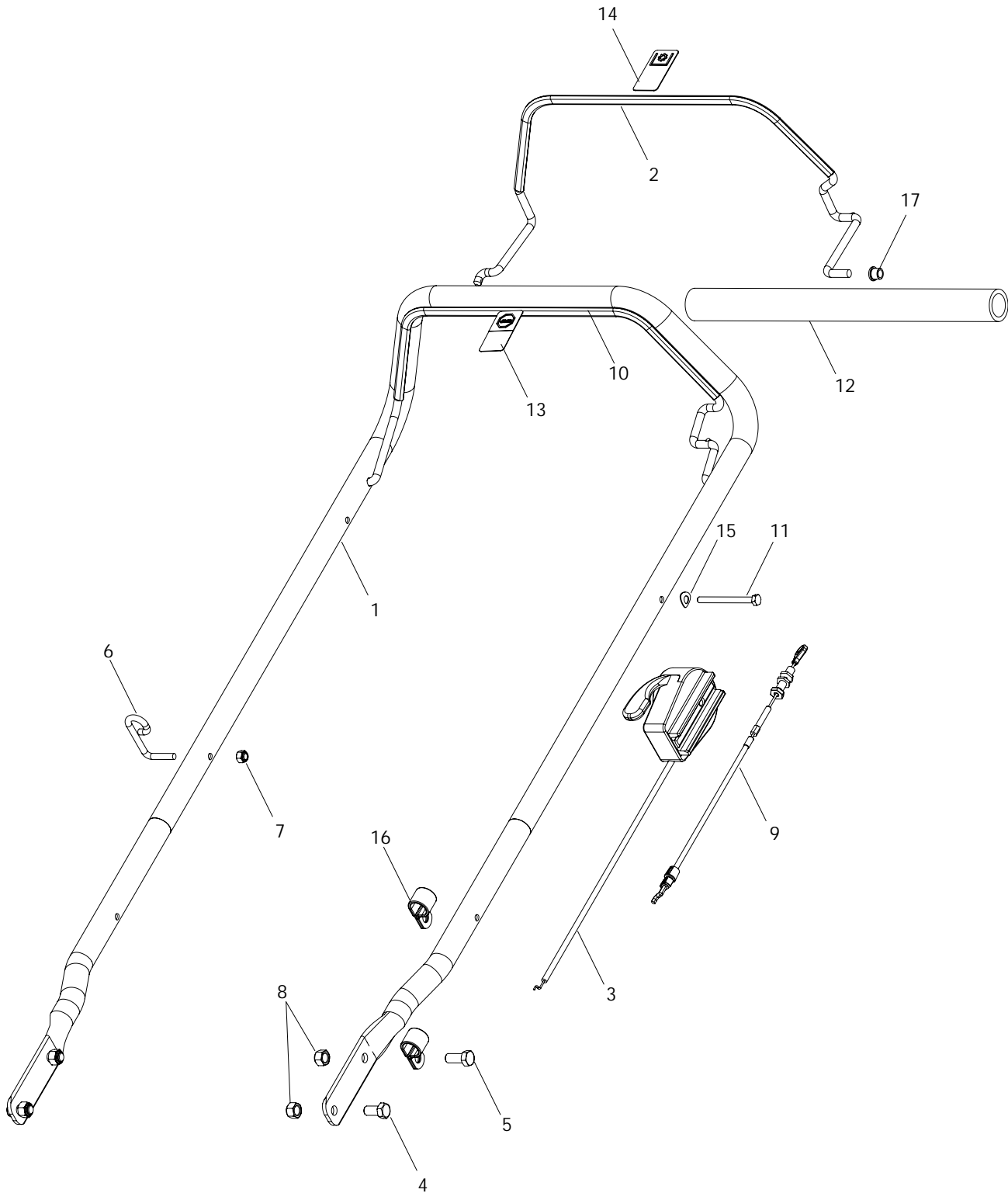


HANDLE & CONTROLS

ITEM	PART NO.	QTY.	DESCRIPTION	ITEM	PART NO.	QTY.	DESCRIPTION
1..	539 1131171HANDLE	10..	539 1322021CABLE, GROUND DRIVE
2..	539 1119931BAIL, GROUND DRIVE	11..	539 1129081BAIL
3..	539 1131081CABLE, THROTTLE	12..	539 1122761HCS M6-1 x 70 GR 8.8
4..	539 9901344HCS $\frac{3}{8}$ -16 x $\frac{3}{4}$	13..	539 1226351GRIP, HANDLE
5..	539 1085072HCS $\frac{3}{8}$ -16 x $\frac{7}{8}$	14..	539 1130671DECAL, STOP SIGN
6..	539 1129221ROPE GUIDE	15..	539 1130681DECAL, PTO
7..	539 9769781NUT $\frac{1}{4}$ -20 HEX NYLOC	16..	539 1104881WASHER $\frac{5}{16}$ WAVE
8..	539 9769794NUT $\frac{3}{8}$ -16 HEX NYLOC	17..	539 1026854CLIP
9..	539 1131091CABLE, ZONE	18..	539 1327351BUSHING $\frac{5}{16}$, BAIL

HANDLE & CONTROLS

SELF PROPELLED
MODEL 968999285

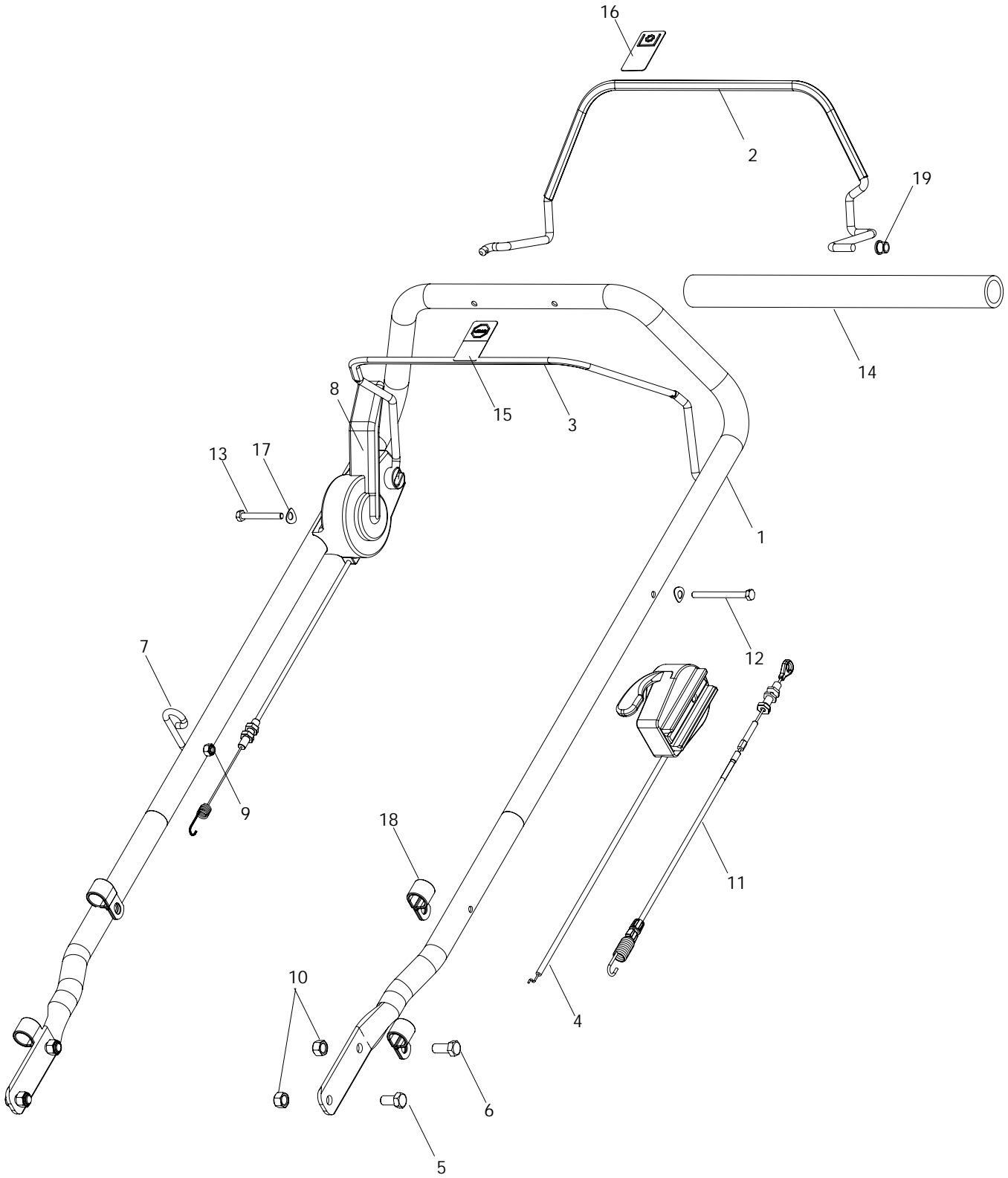


HANDLE & CONTROLS

ITEM	PART NO.	QTY.	DESCRIPTION	ITEM	PART NO.	QTY.	DESCRIPTION
1..	539 1131171HANDLE	10..	539 1129081BAIL
2..	539 1119931BAIL, GROUND DRIVE	11..	539 1122761HCS M6-1 x 70 GR 8.8
3..	539 1131111CABLE, THROTTLE HONDA	12..	539 1226351GRIP, HANDLE
4..	539 9901344HCS $\frac{3}{8}$ -16 x $\frac{3}{4}$	13..	539 1130671DECAL, STOP SIGN
5..	539 1085072HCS $\frac{3}{8}$ -16 x $\frac{7}{8}$	14..	539 1130681DECAL, PTO
6..	539 1129221ROPE GUIDE	15..	539 1104881WASHER $\frac{5}{16}$ WAVE
7..	539 9769781NUT $\frac{1}{4}$ -20 HEX NYLOC	16..	539 1322021CABLE, GROUND DRIVE
8..	539 9769794NUT $\frac{3}{8}$ -16 HEX NYLOC	17..	539 1026854CLIP
9..	539 1131121CABLE, ZONE HONDA	18..	539 1327351BUSHING $\frac{5}{16}$, BAIL

HANDLE & CONTROLS

BLADE, BRAKE, CLUTCH (BBC)
MODELS 968999286, 968999287, 968999640

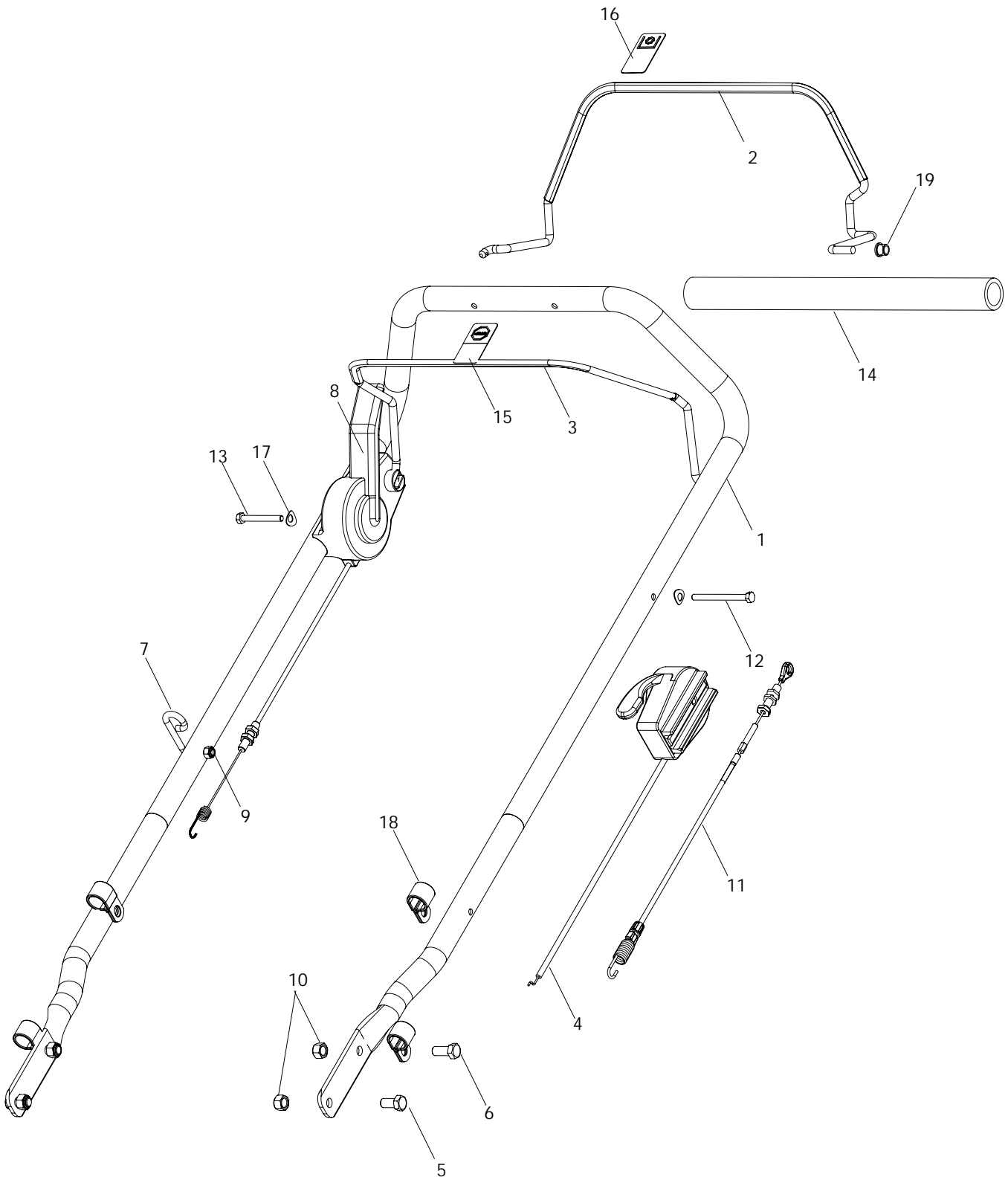


HANDLE & CONTROLS

ITEM	PART NO.	QTY.	DESCRIPTION	ITEM	PART NO.	QTY.	DESCRIPTION
1..	539 1131171HANDLE	11..	539 1322021CABLE, GROUND DRIVE
2..	539 1119931BAIL, GROUND DRIVE	12..	539 1122761HCS M6-1 x 70 GR 8.8
3..	539 1129071BAIL, BBC	13..	539 1122771HCS M6-1 x 50 GR 8.8
4..	539 1131131CABLE, THROTTLE BBC	14..	539 1226351GRIP, HANDLE
5..	539 9901344HCS $\frac{3}{8}$ -16 x $\frac{3}{4}$	15..	539 1130671DECAL, STOP SIGN
6..	539 1085072HCS $\frac{3}{8}$ -16 x $\frac{7}{8}$	16..	539 1130681DECAL, PTO
7..	539 1129221ROPE GUIDE	17..	539 1104882WASHER $\frac{5}{16}$ WAVE
8..	539 1131141BBC CONTROL	18..	539 1026854CLIP
9..	539 9769781NUT $\frac{1}{4}$ -20 HEX NYLOC	19..	539 1327351BUSHING $\frac{5}{16}$, BAIL
10..	539 9769794NUT $\frac{3}{8}$ -16 HEX NYLOC				

HANDLE & CONTROLS

BLADE, BRAKE, CLUTCH (BBC)
MODEL 968999778



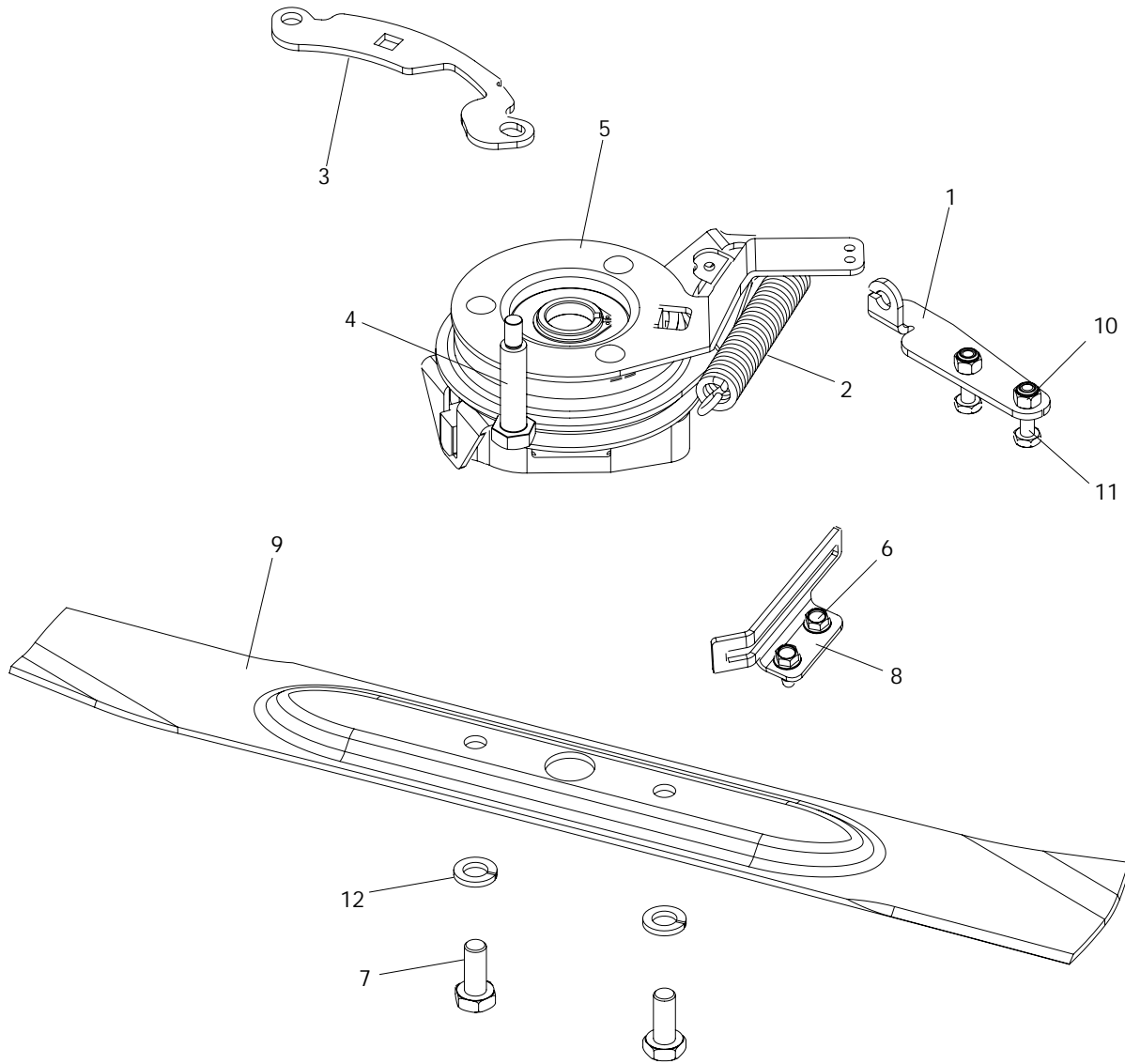
HANDLE & CONTROLS

ITEM	PART NO.	QTY.	DESCRIPTION
1..	539 1131171	HANDLE
2..	539 1119931	BAIL, GROUND DRIVE
3..	539 1129071	BAIL, BBC
4..	539 1328851	CABLE, THROTTLE BBC
5..	539 9901344	HCS $\frac{3}{8}$ -16 x $\frac{3}{4}$
6..	539 1085072	HCS $\frac{3}{8}$ -16 x $\frac{7}{8}$
7..	539 1129221	ROPE GUIDE
8..	539 1131141	BBC CONTROL
9..	539 9769781	NUT $\frac{1}{4}$ -20 HEX NYLOC
10..	539 9769794	NUT $\frac{3}{8}$ -16 HEX NYLOC

ITEM	PART NO.	QTY.	DESCRIPTION
11..	539 1322021	CABLE, GROUND DRIVE
12..	539 1122761	HCS M6-1 x 70 GR 8.8
13..	539 1122771	HCS M6-1 x 50 GR 8.8
14..	539 1226351	GRIP, HANDLE
15..	539 1130671	DECAL, STOP SIGN
16..	539 1130681	DECAL, PTO
17..	539 1104882	WASHER $\frac{5}{16}$ WAVE
18..	539 1026854	CLIP
19..	539 1327351	BUSHING $\frac{5}{16}$, BAIL

CUTTING EQUIPMENT

BLADE, BRAKE, CLUTCH (BBC CE)
MODELS 968999286, 968999287, 968999640

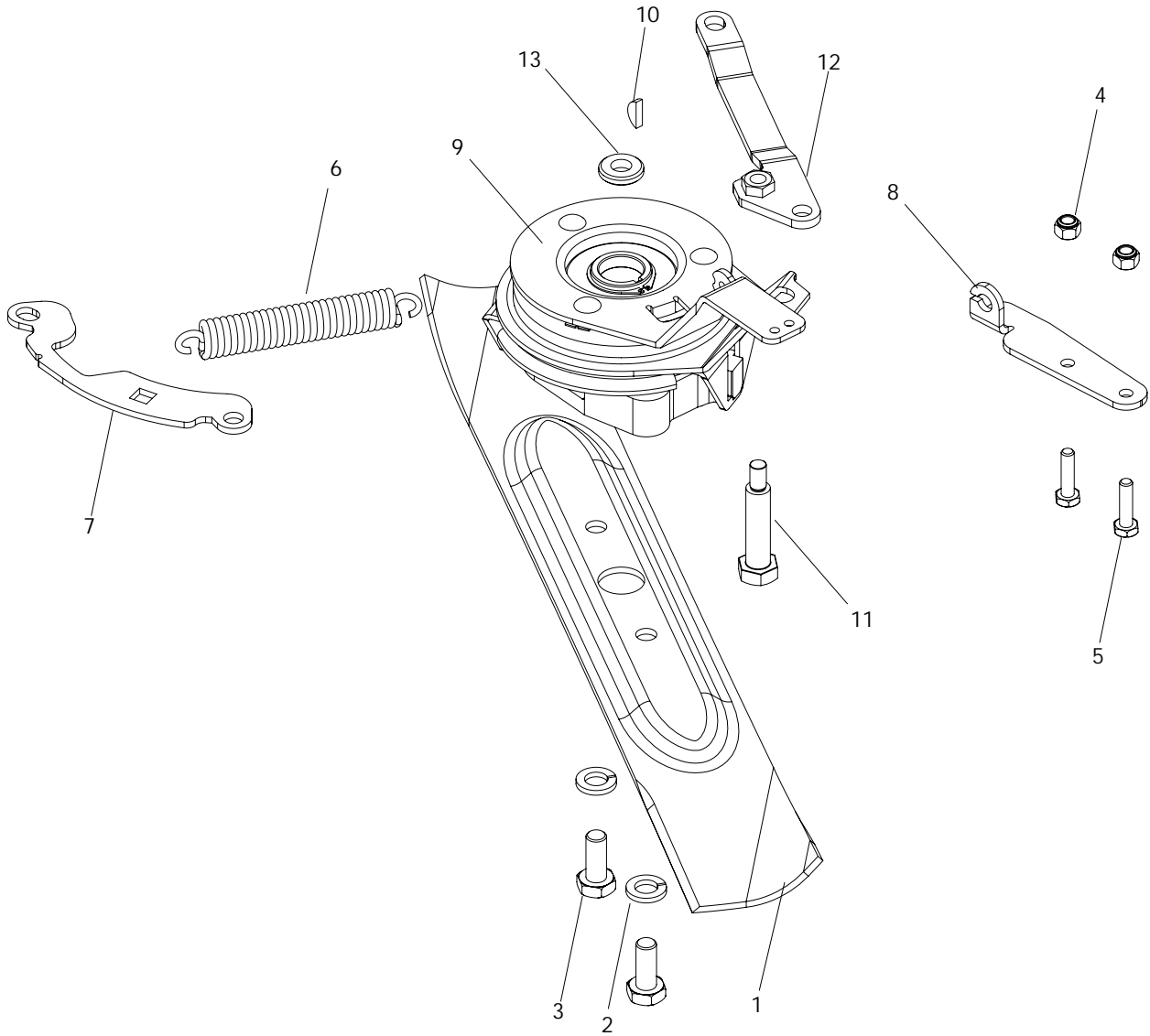


CUTTING EQUIPMENT

ITEM	PART NO.	QTY.	DESCRIPTION	ITEM	PART NO.	QTY.	DESCRIPTION
1..	539 1115431 BRACKET, CABLE	8..	539 1133911 DECK GUARD, BBC
2..	539 1115481 SPRING, CLUTCH	9..	539 1307381 BLADE, W21, BBC
3..	539 1115491 CLUTCH BRACKET		539 1308111 BLADE W21 BBC
4..	539 1119601 SHOULDER BOLT, ANCHOR				MODEL 968999287
5..	539 1312761 BBC CLUTCH	10..	539 9769782 NUT ¼-20 HEX NYLOC
6..	539 9903622 SCREW ¼-20 x 5/8, SLF TAP	11..	539 9777612 HCS ¼-20 x 1
7..	539 1119972 HCS M10-1.5 x 25 MM, GR 8	12..	539 9902472 LOCKWASHER 7/16

CUTTING EQUIPMENT

BLADE, BRAKE, CLUTCH (BBC CE)
MODELS 968999778

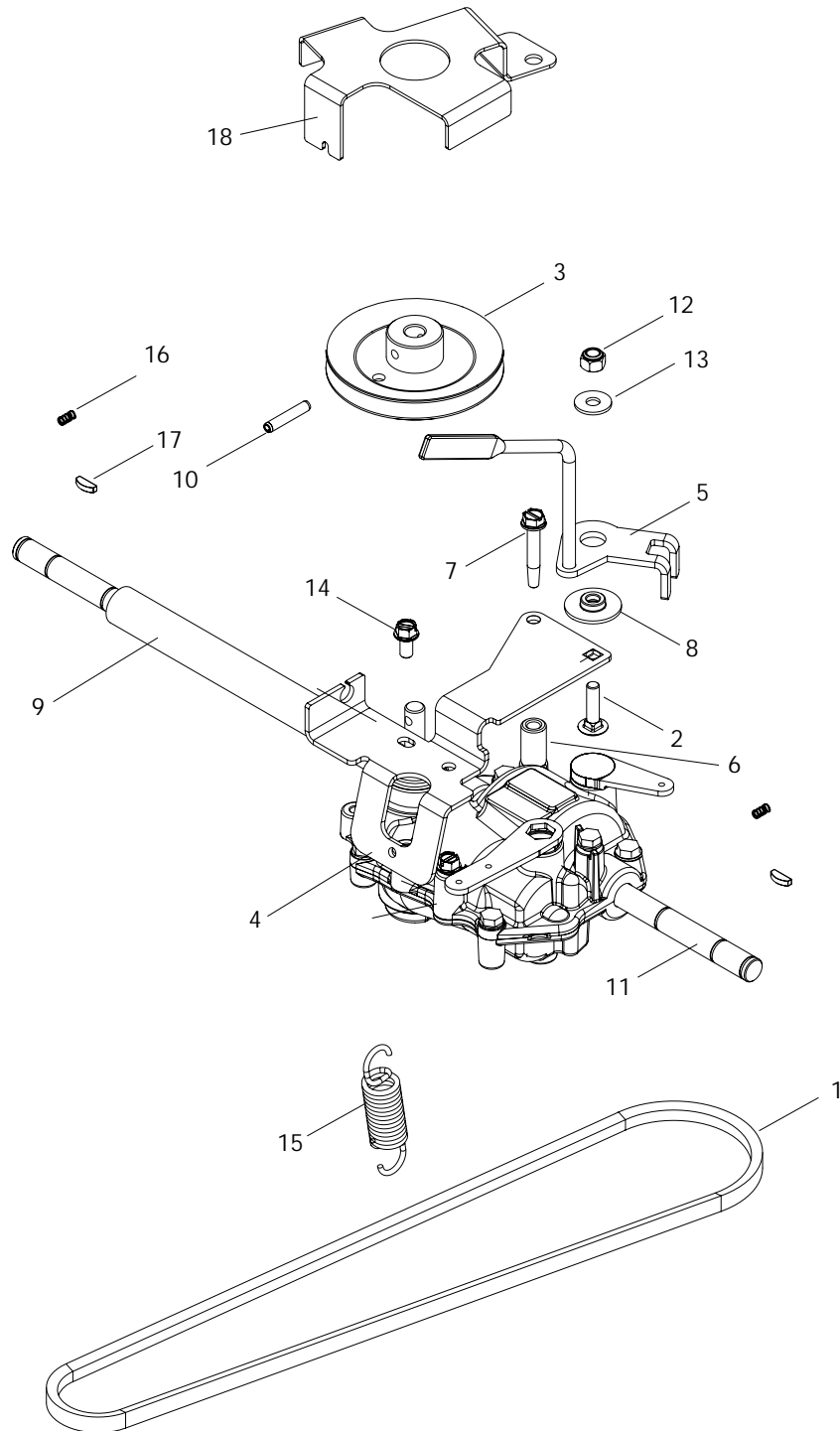


CUTTING EQUIPMENT

ITEM	PART NO.	QTY.	DESCRIPTION	ITEM	PART NO.	QTY.	DESCRIPTION
1..	539 130738	...1	...BLADE, W21 BBC	8..	539 111543	...1	...BRACKET, CABLE
2..	539 990247	...2	...LOCKWASHER ⁷ / ₁₆	9..	539 132882	...1	...CLUTCH, BBC HONDA
3..	539 977761	...2	...HCS ¼-20 X 1 GR 5	10..	539 910008	...1	...KEY, WOODRUFF #6
4..	539 976978	...2	...NUT ¼-20 HEX NYLOC	11..	539 111960	...1	...SHOULDER BOLT, ANCHOR
5..	539 111997	...2	...HCS M10-1.5 x 25 MM, GR 8	12..	539 133071	...1	...CLUTCH STOP BLACK
6..	539 111548	...1	...SPRING, CLUTCH	13..	505 152201	...1	...SPACER, BBC
7..	539 111549	...1	...BRACKET, CLUTCH				

TRANSMISSION

SELF PROPELLED

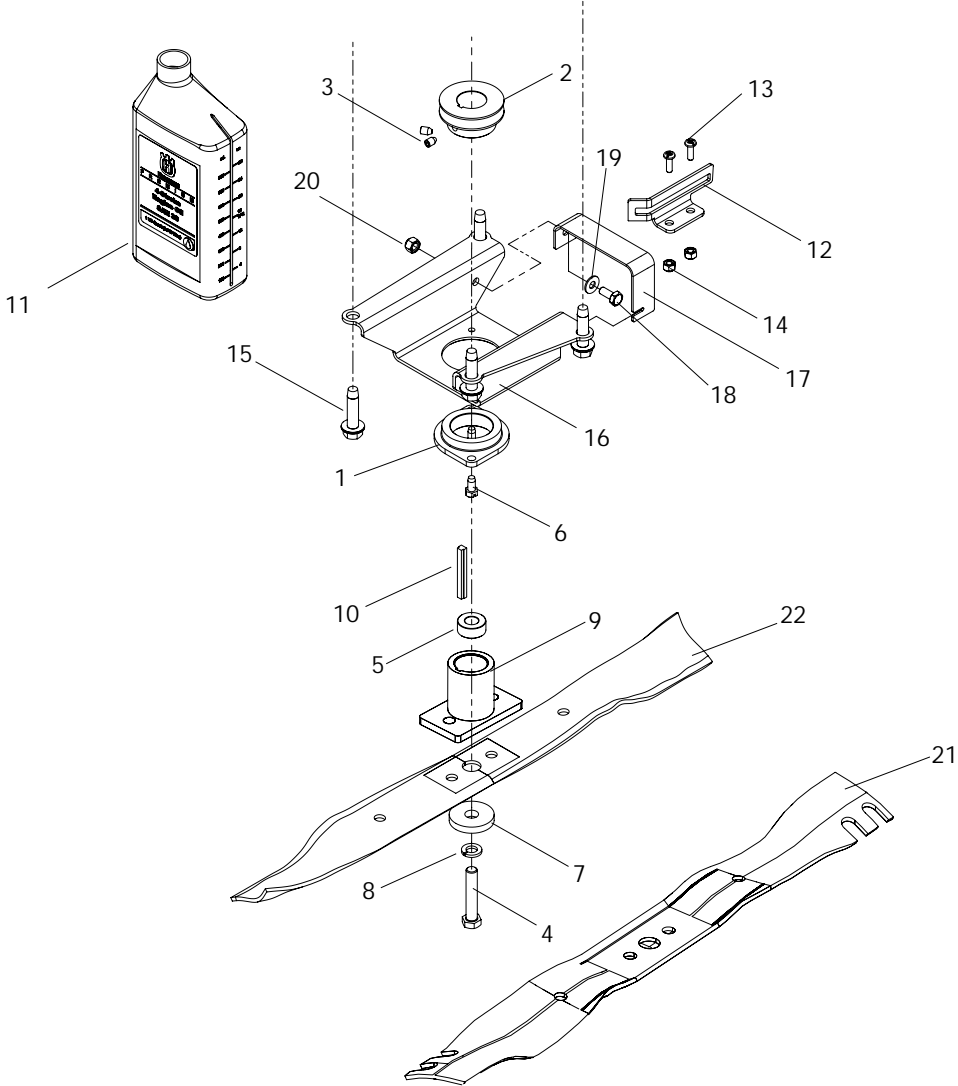


TRANSMISSION

ITEM	PART NO.	QTY.	DESCRIPTION	ITEM	PART NO.	QTY.	DESCRIPTION
1..	539 1115311BELT	10..	539 1131001 SPIRAL PIN, $\frac{3}{16}$ x $1\frac{1}{8}$
2..	539 1098001 RHSNB $\frac{1}{4}$ -20 x 1	11..	539 1131391 TRANSMISSION
3..	539 1115281 PULLEY, DRIVEN	12..	539 9769781 NUT $\frac{1}{4}$ -20 HEX NYLOC
4..	539 1115291 BRACKET, CABLE	13..	539 9905981 WASHER $\frac{1}{4}$
5..	539 1115351 SHIFTER	14..	539 9910812 SCREW $\frac{1}{4}$ -14 x $\frac{3}{4}$, SELF TAP
6..	539 1118771 SPACER, TRANSMISSION	15..	539 1118901 SPRING, TRANSMISSION
7..	539 1120461 HCS $\frac{1}{4}$ -14 x $1\frac{1}{2}$ SLF TAP	16..	539 1118912 SPRING, KEY
8..	539 1129111 PIVOT BUSHING	17..	539 1118932 WOODRUFF KEY, SPECIAL
9..	539 1129151 SHAFT COVER	18..	539 1313711 BELT KEEPER, REAR

ENGINE PLATE

KAWASAKI ZONE
MODELS 968999283, 968999284, 968999289
968999638, 968999639

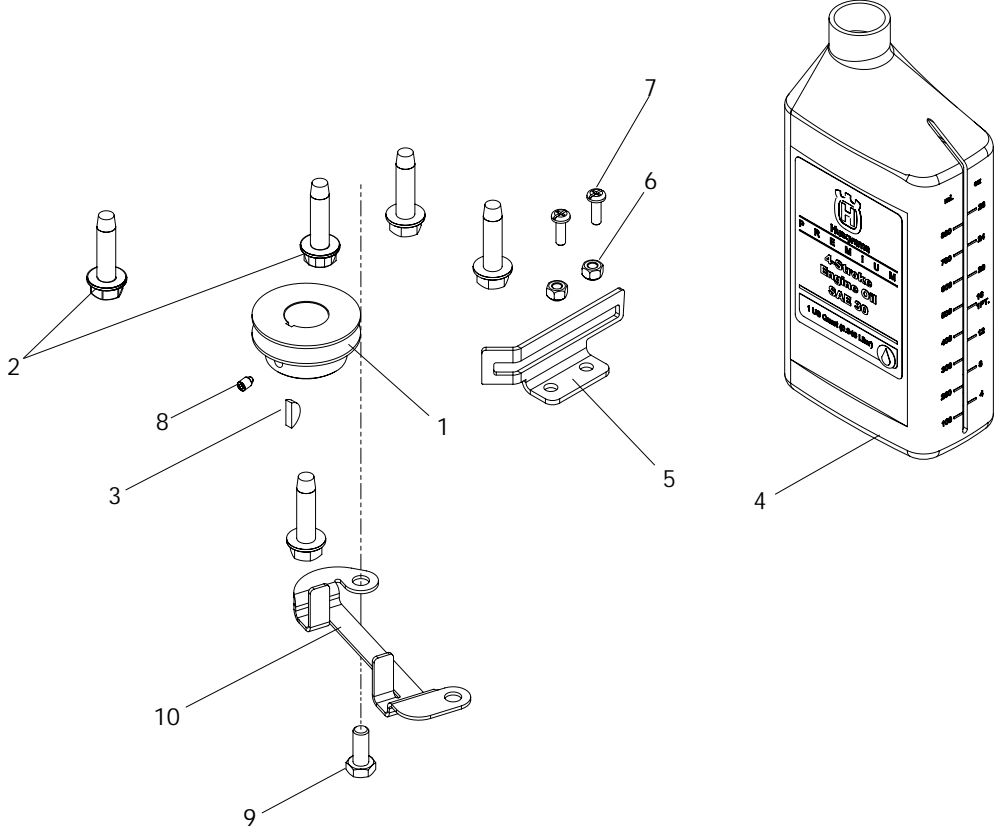


ENGINE PLATE

ITEM	PART NO.	QTY.	DESCRIPTION	ITEM	PART NO.	QTY.	DESCRIPTION
1..	539 1149211 BEARING, SHAFT SUPPORT	13..	539 9769522 SCREW #10-24 x .625
2..	539 1115271 PULLEY, ENGINE	14..	539 9769772 NUT #10-24 HEX NYLOC
3..	539 1085612 SCREW ¼-20 x ¾ SET	15..	539 1119704 BOLT ¾-16 x 1½ THD FRM
4..	539 1085061 HCS ¾-24 x 2, GR 8	16..	539 1305951 BRACKET, SHAFT SUPPORT
5..	539 1119751 SPACER, BLADE DRIVER	17..	539 1316481 BELT KEEPER, FRONT
6..	539 1055323 SCREW ¼-20 SLF TAP	18..	539 9900721 HCS ¼-20 x 5/8
7..	539 1100641 WASHER CLUTCH	19..	539 9900551 WASHER ¼ FLAT SAE
8..	539 9901181 WASHER ¾ SPLT LOCK	20..	539 9769781 NUT ¼-20 HEX NYLOC
9..	539 1115261 ADAPTER, BLADE	21..	539 1132331 BLADE, 21" MODELS 968999289
10..	539 1127941 KEY, STEPPED	22..	532 4067121 BLADE, 21" MODELS 968999283, 968999284, 968999285
11..	539 112946	...1	... OIL, QT BOTTLE				
12..	539 1133911 DECK GUARD, BBC				

ENGINE PLATE

KAWASAKI BBC
MODELS 968999286, 968999287, 968999288, 968999640

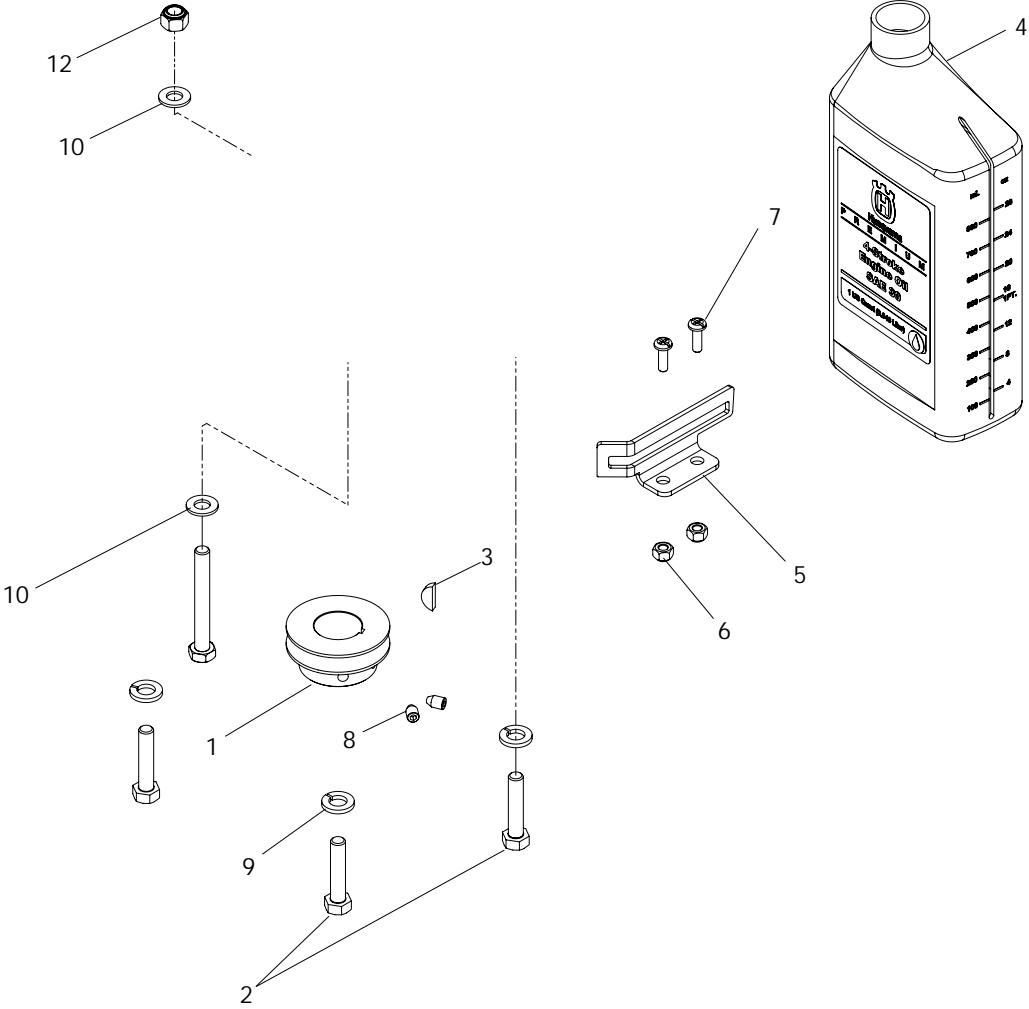


ENGINE PLATE

ITEM	PART NO.	QTY.	DESCRIPTION	ITEM	PART NO.	QTY.	DESCRIPTION
1..	539 1115251	PULLEY, ENGINE	8..	539 1085612	SCREW ¼-20 x ¾ SET
2..	539 1119704	BOLT ¾-16 x 1½ THD FRM	9..	539 3006001	HCS M8 x 1.25 x 20 MODELS 968999286, 968999287 ONLY
3..	539 9100081	KEY, WOODRUFF	10..	539 1313631	BELT KEEPER, FRONT MODELS 968999286, 968999287 ONLY
4..	539 1129461	OIL, QT BOTTLE				
5..	539 1133911	DECK GUARD, BBC				
6..	539 9769772	NUT #10-24 HEX NYLOC				
7..	539 9769522	SCREW #10-24 x .625				

ENGINE PLATE

HONDA BBC
MODELS 968999778



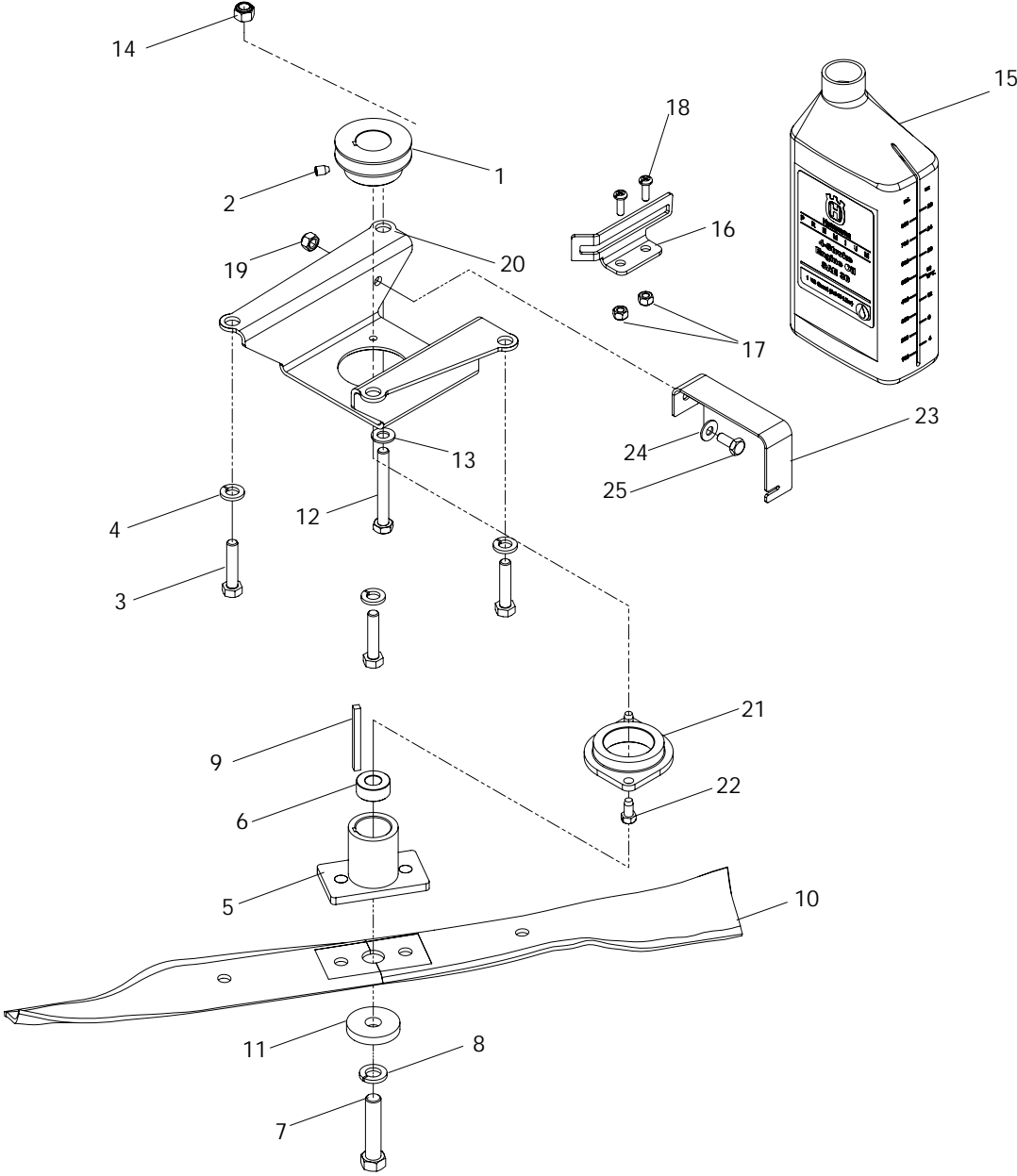
ENGINE PLATE

ITEM	PART NO.	QTY.	DESCRIPTION
1..	539 132884....	1	PULLEY, ENGINE
2..	539 108399....	4	HCS $\frac{5}{16}$ -24 x $1\frac{1}{2}$
3..	539 910008....	1	KEY, WOODRUFF
4..	539 112946....	1	OIL, QT BOTTLE
5..	539 113391	1	DECK GUARD, BBC
6..	539 976977....	2	NUT #10-24 HEX NYLOC

ITEM	PART NO.	QTY.	DESCRIPTION
7..	539 976952....	2	SCREW #10-24 x .625
8..	539 108561....	2	SCREW $\frac{1}{4}$ -20 x $\frac{3}{8}$ SET
9..	539 990118....	3	WASHER $\frac{3}{8}$ SPLT LOCK
10..	539 990188....	2	WASHER $\frac{5}{16}$, SAE
11..	539 990717....	1	NUT $\frac{5}{16}$ -18 HEX NYLOC
12..	539 991046....	1	HCS $\frac{5}{16}$ -18 x $2\frac{1}{2}$

ENGINE PLATE

HONDA ZONE
MODEL: 96899285



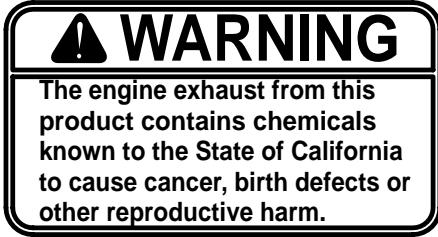
ENGINE PLATE

ITEM	PART NO.	QTY.	DESCRIPTION	ITEM	PART NO.	QTY.	DESCRIPTION
1..	539 1115271 PULLEY, ENGINE	14..	539 9907171 NUT $\frac{5}{16}$ -18 HEX NYLOC
2..	539 1085612 SCREW $\frac{1}{4}$ -20 x $\frac{3}{8}$ SET	15..	539 1129461 OIL, QT BOTTLE
3..	539 1083993 HCS $\frac{5}{16}$ -24 x $1\frac{1}{2}$	16..	539 1133911 DECK GUARD, BBC
4..	539 9901183 WASHER $\frac{3}{8}$ SPLT LOCK	17..	539 9769772 NUT #10-24 HEX NYLOC
5..	539 1115261 ADAPTER, BLADE	18..	539 9769522 SCREW #10-24 x .625
6..	539 1119751 SPACER, BLADE DRIVER	19..	539 9769781 NUT $\frac{1}{4}$ -20 HEX NYLOC
7..	539 1119901 HCS $\frac{7}{16}$ -20 x 2 GR 8	20..	539 1305951 BRACKET, SHAFT SUPPORT
8..	539 9902471 LOCKWASHER $\frac{7}{16}$	21..	539 1149211 BEARING, SHAFT SUPPORT
9..	539 1091711 KEY $\frac{3}{16}$ SQ x 2.125	22..	539 1055322 SCREW $\frac{1}{4}$ -20 SLF TAP
10..	532 4067121 BLADE, 21"	23..	539 1316481 BELT KEEPER, FRONT
11..	539 1100641 WASHER CLUTCH	24..	539 9900551 WASHER $\frac{1}{4}$ FLAT SAE
12..	539 9910461 HCS $\frac{5}{16}$ -18 x $2\frac{1}{2}$	25..	539 9900721 HCS $\frac{1}{4}$ -20 x $\frac{5}{8}$
13..	539 9901881 WASHER $\frac{5}{16}$ SAE				

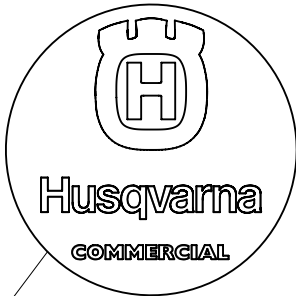
DECALS



3



6



1



4



5



7



2



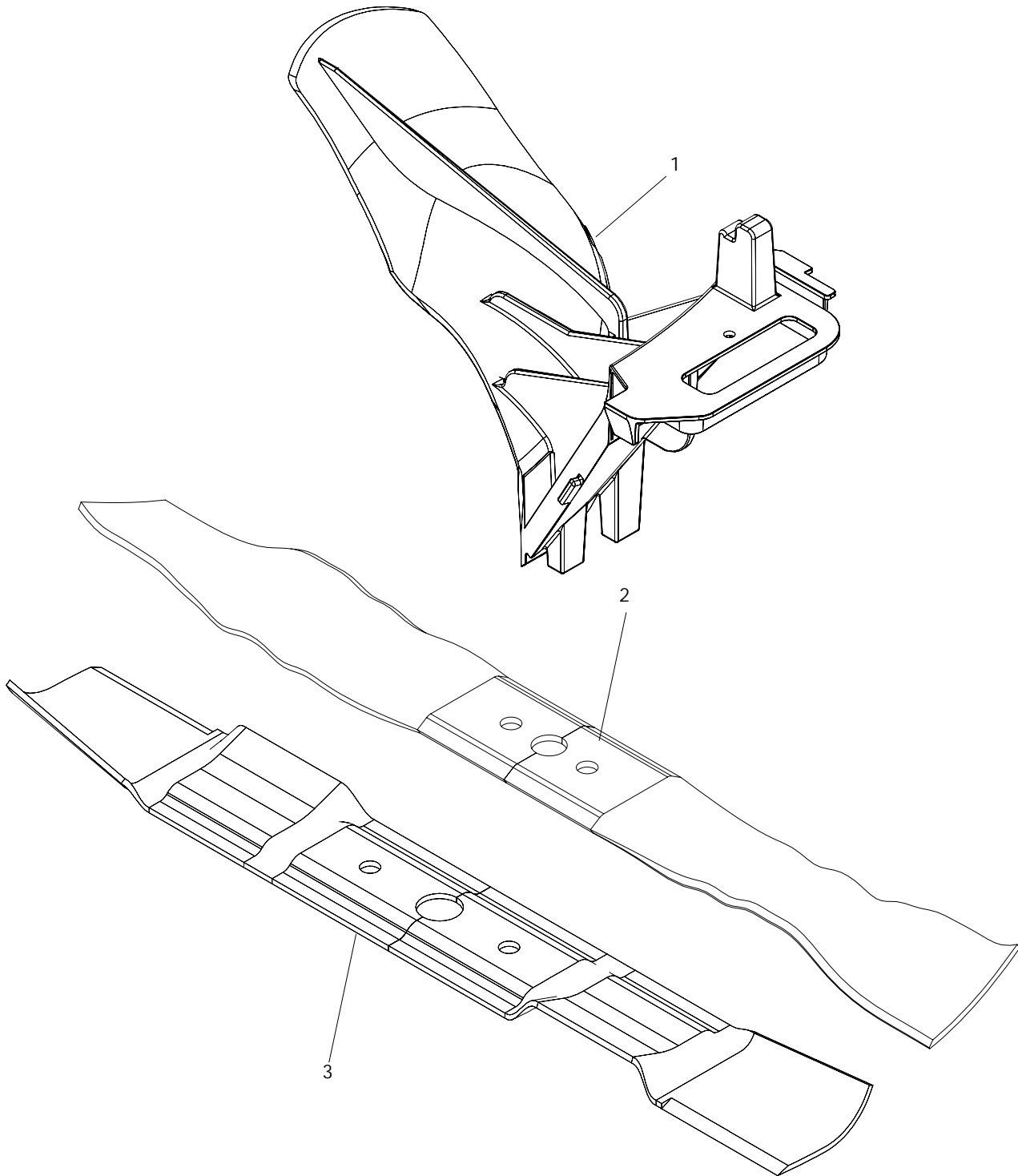
8

DECALS

ITEM	PART NO.	QTY.	DESCRIPTION	ITEM	PART NO.	QTY.	DESCRIPTION
1..	539 130239....	1	DECAL, CROWN ROUND	5..	539 113224....	1	DECAL, WARNING
2..	539 913010....	1	DECAL, CPSC	6..	539 101881....	1	DECAL, PROP 65
3..	539 130240....	1	DECAL, WARNING MULTILINGUAL	7..	539 110278....	1	DECAL, 80DBA AUSTRALIA
4..	539 111514	1	DECAL, WARNING	8..	539 110279....	1	DECAL, ECM AUSTRALIA

ACCESSORIES

MULCH KIT 539 113052 (BRAKE)
MULCH KIT 539 113051 (BBC)



ACCESSORIES

ITEM	PART NO.	QTY.	DESCRIPTION
1..	539 1115151		MULCH PLUG
2..	539 1118781		BLADE, 21", MULCH

ITEM	PART NO.	QTY.	DESCRIPTION
3..	539 1119581		BLADE, 21", BBC MULCH

