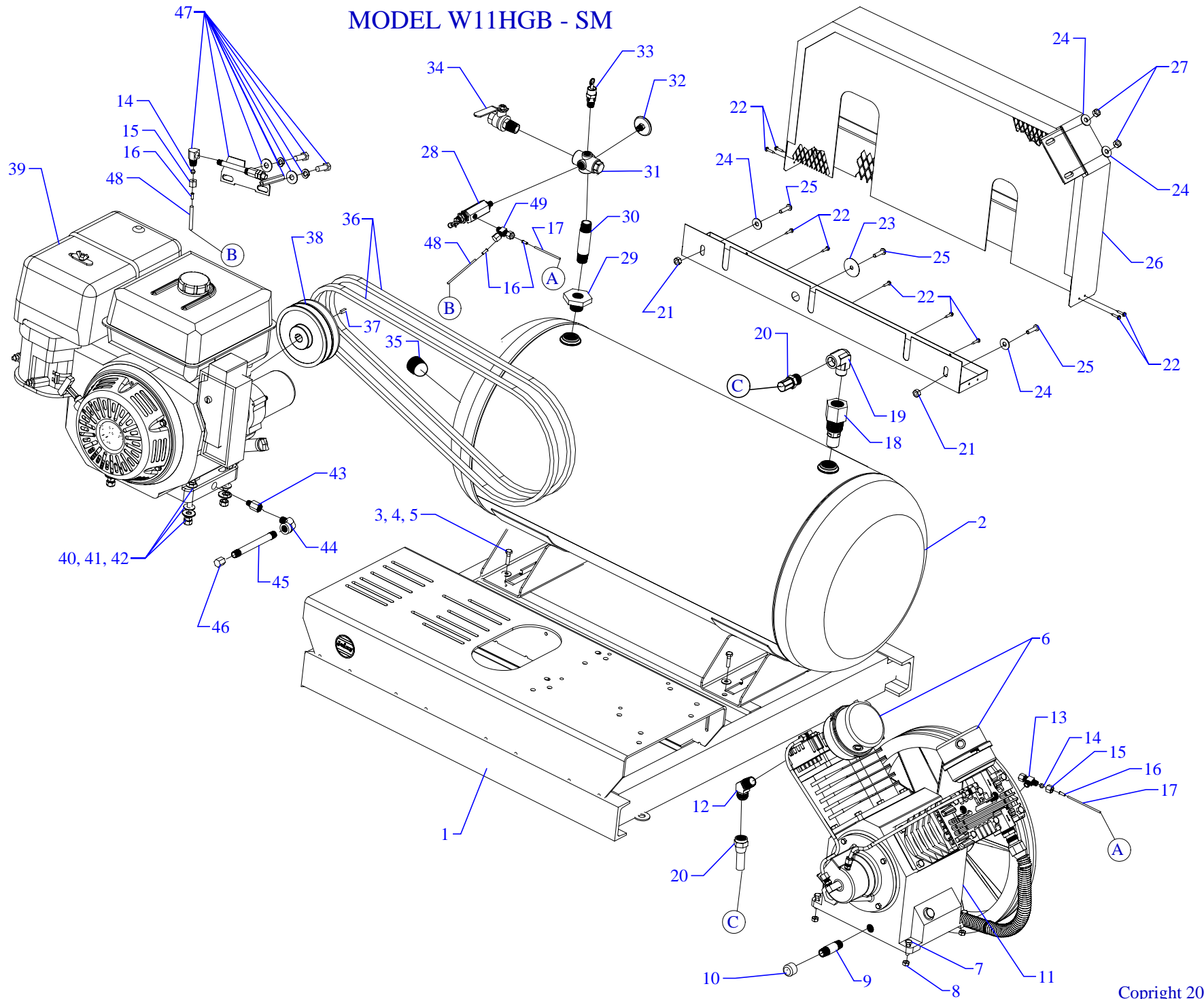


# MODEL W11HGB - SM



## Parts List for Model J11HGA-SM

NOTE: The quantity number indicates the total number of pieces required for a complete unit repair.  
When ordering parts give compressor model, serial number and part number. Order assemblies when possible.

| <u>REF. NO.</u> | <u>PART NO.</u> | <u>DESCRIPTION</u>                       | <u>QTY.</u> |
|-----------------|-----------------|--|-------------|
| 1               | 152-1160-01     | TANK,HRZNTL,30G,UM,W/GAS TNK DECK,PT/ST  | 1           |
| 2               | 411-1051        | TANK,HRZNTL,30G,UM,PT&SM,H30UM-6         | 1           |
| 3               | 120-1018        | SCREW,FLANGE,HEX,SERR,ST,PLD,5/16-18X3/4 | 4           |
| 4               | 120-1075        | WASHER,FLAT,STEEL,PLATED,5/16"           | 8           |
| 5               | 120-1119        | NUT,LOCK,FLANGE,HEX,SERR,ST,PLTD,5/16-18 | 4           |
| 6               | 320-1121        | FILTER,AIR,2PC,W/SILENCER&FILTER,G154    | 2           |
| 7               | 120-1009        | SCREW,CAP,HEXHD,GR5,ST,PLTD,1/4-20X1-1/4 | 4           |
| 8               | 120-1116        | NUT,LOCK,FLANGE,HEX,SERR,ST,PLTD,1/4-20  | 4           |
| 9               | 122-1039        | NIPPLE,STEEL,SCH 40,3/8" X 5" L          | 1           |
| 10              | 122-1084        | CAP,FEMALE,MI,3/8"NPT                    | 1           |
| 11              | 360-1406        | AFTERCOOLER,HOSE,SS,TEFLON,3/4"ODX54"L   | 1           |
| 12              | 121-1109        | ELBOW,BRASS,MALE,45DEG,3/4-45SAEX1/2"NPT | 1           |
| 13              | 121-1039        | TEE,BRANCH,BRASS,1/4"TBX1/4"TBX1/8"NPTM  | 1           |
| 14              | 121-1080        | SLEEVE,COMPRESSION,BRASS,1/4"            | 2           |
| 15              | 121-1082        | NUT,COMPRESSION,TUBING,BRASS,1/4"        | 2           |
| 16              | 121-1048        | INSERT,TUBING,BRASS,1/4"OD NYLON         | 4           |
| 17              | 610-1091        | TUBE,CONTROL,NYLON,W/SLEEVE,1/4"X39"LG   | 1           |
| 18              | 141-1037        | VALVE,CHECK,INSERT,1"M X 3/4", 134       | 1           |
| 19              | JD7988          | ELBOW,STREET,BRASS,3/4"NPT               | 1           |
| 20              | 121-1038        | TEE,RUN,BRASS,1/4"TBX1/4TBX1/8"NPTM      | 1           |
| 21              | 120-1116        | NUT,LOCK,FLANGE,HEX,SERR,ST,PLTD,1/4-20  | 2           |
| 22              | 120-1177        | SCREW,SELF DRILL,HEX,ST,PL,12 X 3/4      | 9           |
| 23              | 120-1072        | WASHER,FENDER,ST,PLATED,1/4"X1-1/2"OD    | 1           |

## Parts List for Model J11HGA-SM

NOTE: The quantity number indicates the total number of pieces required for a complete unit repair.  
When ordering parts give compressor model, serial number and part number. Order assemblies when possible.

| <u>REF. NO.</u> | <u>PART NO.</u> | <u>DESCRIPTION</u>                       | <u>QTY.</u> |
|-----------------|-----------------|--|-------------|
| 24              | 120-1075        | WASHER,FLAT,STEEL,PLATED,5/16"           | 4           |
| 25              | 120-1267        | SCREW,PAN HD,PHIL,STEEL,PLTD,1/4-20 X 1" | 3           |
| 26              | 320-1181        | BELTGUARD,J&W,W/PAN,4.13WX18.0HX32.25LG  | 1           |
| 27              | 120-1119        | NUT,LOCK,FLANGE,HEX,SERR,ST,PLTD,5/16-18 | 2           |
| 28              | 141-1048        | VALVE,PILOT,W/HAND UNLOADER,175PSI,1/4"M | 1           |
| 29              | 122-1072        | BUSHING,REDUCER,HEX,ST,PL,1" X 1/2"NPT   | 1           |
| 30              | 122-1146        | NIPPLE,STEEL,SCH 80,PLTD,1/2" X 2-1/2" L | 1           |
| 31              | 220-1121        | BLOCK,MANIFOLD,ZINC,5 HOLE,TAPPED,MC-5   | 1           |
| 32              | 142-1003        | GAUGE,PSI,200#,BK MT,JENNY,1.5,1/4",PG14 | 1           |
| 33              | 141-1014        | VALVE,SAFETY,ASME,1/4",165 PSI           | 1           |
| 34              | 141-1078        | VALVE,BALL,OUTLET,1/4 TURN,1/2"M X 1/2"F | 1           |
| 35              | 122-1047        | PLUG,SOCKET,HEX,ST,PL,1/2" NPT           | 1           |
| 36              | 154-4L650       | BELT,VEE,A63,4L-650                      | 2           |
| 37              | 120-1109        | KEY,STEEL,BLACK,5/16X5/16X 1-1/2" LENGTH | 1           |
| 38              | 154-1165        | PULLEY,CI,DG,3.5PDA,1ID,2AK39X1          | 1           |
| 39              | 131-1023        | ENGINE,GAS,HONDA,11 HP,E/S,GX340K1QAE2   | 1           |
| 40              | 120-1018        | SCREW,FLANGE,HEX,SERR,ST,PLD,5/16-18X3/4 | 4           |
| 41              | 120-1075        | WASHER,FLAT,STEEL,PLATED,5/16"           | 8           |
| 42              | 120-1119        | NUT,LOCK,FLANGE,HEX,SERR,ST,PLTD,5/16-18 | 4           |
| 43              | 150-1183        | ADAPTER,DRAIN,OIL,BRASS,8&11HP,HONDA     | 1           |
| 44              | 121-1049        | ELBOW,STREET,BRASS,1/4"NPT               | 1           |
| 45              | 122-1221        | NIPPLE,STEEL,SCH 40,PLATED,1/4" x 9" L   | 1           |
| 46              | 122-1126        | CAP,HEX,STEEL,PLATED,1/4"NPT             | 1           |

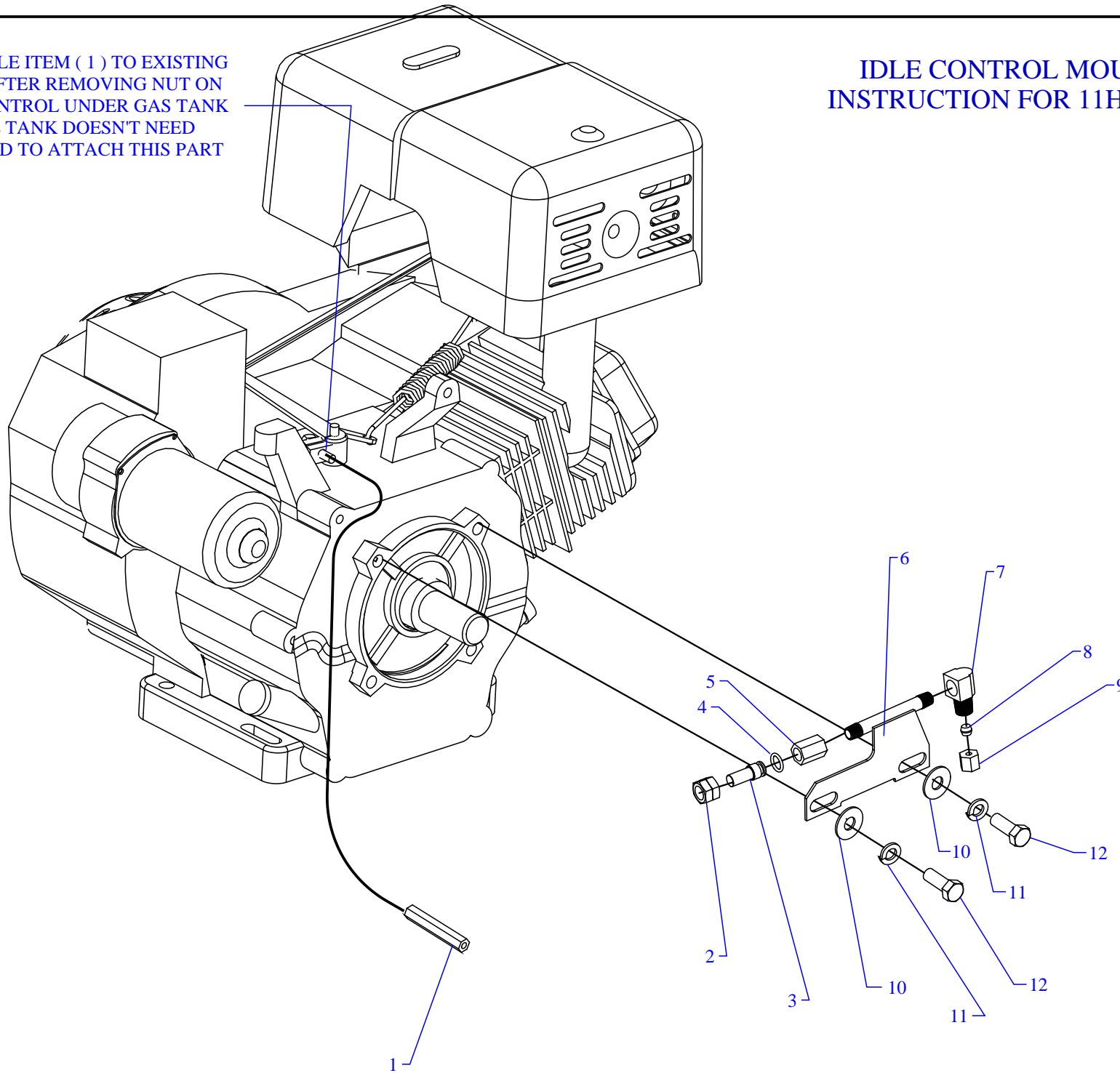
## Parts List for Model J11HGA-SM

NOTE: The quantity number indicates the total number of pieces required for a complete unit repair.  
When ordering parts give compressor model, serial number and part number. Order assemblies when possible.

| <u>REF. NO.</u> | <u>PART NO.</u> | <u>DESCRIPTION</u>                     | <u>QTY.</u> |
|-----------------|-----------------|--|-------------|
| 47              | 321-1082        | IDLE CNTRL 11HP HONDA ASSY             | 1           |
| 48              | 610-1091        | TUBE,CONTROL,NYLON,W/SLEEVE,1/4"X39"LG | 1           |
| 49              | 421-1552        | PUMP,CMPSR,PISTON,REPLCMT,BLUE,JU      | 1           |
| NOT SHOWN       | 610-1225        | KIT,ELEMENT,FILTER,G54E,PKG OF 4,G54EP | 1           |
| NOT SHOWN       | 105-1209        | OIL,PUMP,SYNTHETIC,BLUE,1 QUART,ESQ    | 1           |
| NOT SHOWN       | 634-2893907     | FILTER,17210-ZE3-010                   | 1           |

ASSEMBLE ITEM ( 1 ) TO EXISTING  
BOLT AFTER REMOVING NUT ON  
IDLE CONTROL UNDER GAS TANK  
NOTE TANK DOESN'T NEED  
REMOVED TO ATTACH THIS PART

## IDLE CONTROL MOUNTING INSTRUCTION FOR 11HP HONDA

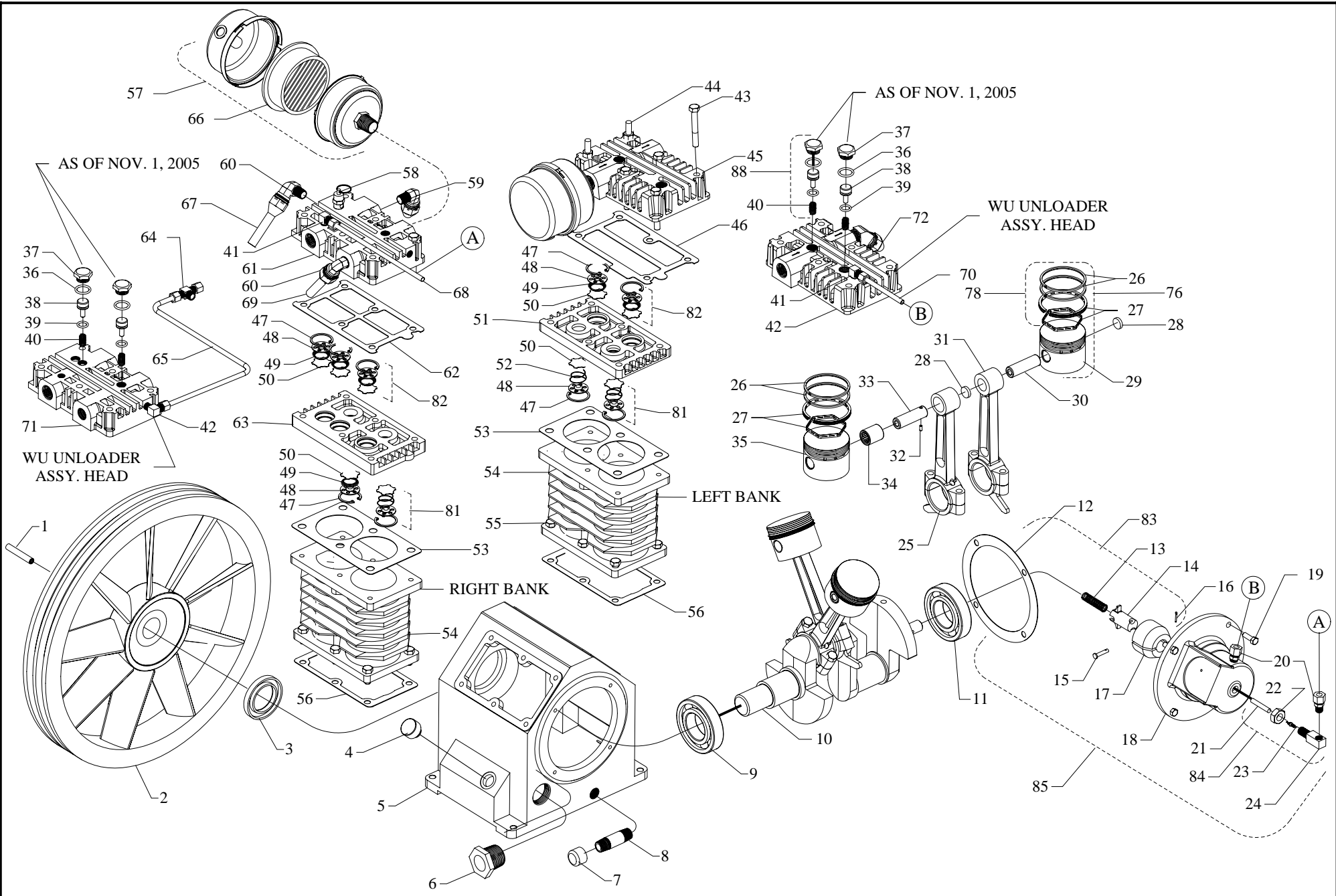


## Parts List for 11&13HP Honda Throttle Idle Control

NOTE: The quantity number indicates the total number of pieces required for a complete unit repair.

When ordering parts give compressor model, serial number and part number. Order assemblies when possible.

| <u>REF. NO.</u> | <u>PART NO.</u> | <u>DESCRIPTION</u>                       | <u>QTY.</u> |
|-----------------|-----------------|--|-------------|
| 1               | 220-1061        | LEVER,CONTROL,IDLE,HONDA,8HP,LIC-8HG     | 1           |
| 2               | 121-1083        | NUT,COMPRESSION,TUBING,BRASS,3/8"        | 1           |
| 3               | 150-1064        | PISTON,CONTROL,IDLE,THROTTLE,HONDA       | 1           |
| 4               | 104-1021        | RING,O,BUNA-N,5/16"IDX7/16"ODX1/16"THK   | 1           |
| 5               | 150-1063        | CYLINDER,CONTROL,IDLE,THROTTLE,BRASS,TIC | 1           |
| 6               | 150-1139        | BRACKET,CONTROL,IDLE,THROTTLE,11HP,HONDA | 1           |
| 7               | 121-1037        | ELBOW,FEMALE,COMPRESSION,BR,1/4TBX1/8"N  | 1           |
| 8               | 121-1080        | SLEEVE,COMPRESSION,BRASS,1/4"            | 1           |
| 9               | 121-1082        | NUT,COMPRESSION,TUBING,BRASS,1/4"        | 1           |
| 10              | 120-1078        | WASHER,FLAT,STEEL,PLATED,USS,3/8"        | 2           |
| 11              | 120-1077        | WASHER,LOCK,SPLIT,STEEL,PLATED,3/8"      | 2           |
| 12              | 120-1032        | SCREW,CAP,HEXHD,GR5,ST,PLTD,3/8-16X1     | 2           |



MODEL W & WU  
 Four Cyliner Two Stage  
 2-1/2 (3) -2-1/2 Bore X 3-1/4 Stroke

## Parts List for Model W & WU

NOTE: The quantity number indicates the total number of pieces required for a complete pump repair.  
When ordering parts give compressor model, serial number and part number. Order assemblies when possible.

| <u>REF. NO.</u> | <u>PART NO.</u> | <u>DESCRIPTION</u>                                  | <u>QTY.</u> |
|-----------------|-----------------|---|-------------|
| 1               | 120-1166        | PIN,FLYWHEEL, STL, 5/16 ODX 1-1/4 L, W25            | 1 EA        |
| 2               | 220-1094        | FLYWHEEL,W PUMP,CI,16"DIA,2 GROOVE,W23A             | 1 EA        |
| 3               | 150-1038        | SEAL,OIL,LIP,SINGLE,1.575 DIA,W11                   | 1 EA        |
| 4               | 610-1051        | PLUG,FILL,OIL,W/O-RING&DIPSTICK,ASSY,W14            | 2 EA        |
| 5               | 220-1036        | CRANKCASE,W PUMP,CI,MACHINED,W1                     | 1 EA        |
| 6               | 360-1114        | SIGHT GLASS 1" INSTALLED LOW                        | 1 EA        |
| 7               | 122-1084        | CAP,FEMALE,MI,3/8"NPT                               | 1 EA        |
| 8               | 122-1037        | NIPPLE,STEEL,SCH 40,3/8" X 2" L                     | 1 EA        |
| 9               | 150-1031        | BEARING,BALL,W9                                     | 1 EA        |
| 10              | 220-1038        | CRANKSHAFT,W PUMP,CI,MACHINED,W20                   | 1 EA        |
| 11              | 150-1032        | BEARING,BALL,W10                                    | 1 EA        |
| 12              | 104-1014        | GASKET,CAP,BEARING,W PUMP,1/32THK,W3                | 1 EA        |
| 13              | 150-1081        | COIL SPRING C/U UNLOADER ZN                         | 1 EA        |
| 14              | 220-1049        | TUBE,OPERATING,CENTRIFICAL UNLOADER,EQ71            | 1 EA        |
| 15              | 120-1169        | PIN,COTTER,ST,BLACK,1\16DIA X 1\2LG,EQ73B           | 1 EA        |
| 16              | 610-1066        | PIN,PIVOT,UNLDR,CNTRFCL,W/CTTR PIN,EQ73             | 1 EA        |
| 17              | 610-1167        | UNLOADER,CENTRIFUGAL,WEIGHT,SET,EQ70                | 1 EA        |
| 18              | 220-1037        | CAP,BEARING,W PUMP,CI,MACHINED,W2                   | 1 EA        |
| 19              | 120-1002        | SCREW,CAP,HEXHD,GR5,ST,BLK,1/4-20X5/8 ( 15 FT - LB. | 4 EA        |
| 20              | 121-1025        | CONNECTOR,MALE,COMPRESSION,BR,1/4TBX1/8"            | 2 EA        |
| 21              | 220-1050        | PIN,UNLOADER,CENTRIFICAL,EQ74D                      | 1 EA        |
| 22              | 120-1171        | NUT,HEX,JAM,STEEL,PLATED,7/16-20,EQ74C              | 1 EA        |
| 23              | 120-1170        | VALVE,CORE,EQ74A                                    | 1 EA        |



## Parts List for Model W & WU

NOTE: The quantity number indicates the total number of pieces required for a complete pump repair.  
When ordering parts give compressor model, serial number and part number. Order assemblies when possible.

| <u>REF. NO.</u> | <u>PART NO.</u> | <u>DESCRIPTION</u>                                     | <u>QTY.</u> |
|-----------------|-----------------|--|-------------|
| 24              | 150-1035        | BODY,UNLOADER,EQ74B                                    | 1 EA        |
| 25              | 310-1012        | ROD,CONNECTING,AL,HIGH PRESSURE,W21W                   | 1 EA        |
| 26              | 150-1003        | RING,COMPRESSION,PISTON,STEEL,EBA 22,K33               | 8 EA        |
| 27              | 610-1065        | KIT,RING,OIL,W/EXPANDER,ASSY,K34                       | 4 EA        |
| 28              | 104-1103        | BUMPER,WRIST PIN,PLASTIC,K36A                          | 6 EA        |
| 29              | 220-1005        | PISTON,PUMP,ALUMINUM,MACHINED,K32                      | 3 EA        |
| 30              | 150-1005        | PIN,PISTON,STEEL,HARDENED,K35                          | 3 EA        |
| 31              | 310-1007        | ROD,CONNECTING,PUMP,ALUM,MACHINED,W21                  | 3 EA        |
| 32              | 120-1165        | PIN,ROLLED,STEEL,BLACK,1/8ODX5/16L,EQ37                | 1 EA        |
| 33              | 150-1039        | PIN,PISTON,STEEL,EQ35                                  | 1 EA        |
| 34              | 150-1034        | BEARING,NEEDLE,EQ38                                    | 1 EA        |
| 35              | 220-1042        | PISTON,MACHINED,2 STAGE,K32W                           | 1 EA        |
| 36              | 104-1015        | RING,O,BUNA-N,1/2"IDX11/16"ODX3/32"THK                 | 4 EA        |
| 37              | 122-1051        | PLUG,HEX ,BRASS,11/16-16 UN-2B X .550                  | 4 EA        |
| 38              | 150-1028        | PISTON,UNLOADER,VALVE,CHECK,BRASS,KU81                 | 4 EA        |
| 39              | 104-1020        | RING,O,SILICON,7/16"IDX5/8"ODX3/32"THK                 | 4 EA        |
| 40              | 150-1020        | SPRING,VALVE,UNLOADER,INTAKE, KU83                     | 4 EA        |
| 41              | 121-1032        | ELBOW,MALE,COMPRESSION,BR,1/4TBX1/8"NPTM               | 3 EA        |
| 42              | 220-1016        | HEAD,UNLOADING,G PUMP,CI,6HOLES,LU80                   | 1 EA        |
| 43              | 120-1028        | SCREW,CAP,HEXHD,GR5,ST,BLK,5/16-18X2-1/4(22FT-LB)      | 10 EA       |
| 44              | 120-1252        | BOLT,STUD,HEX,ST,5/16-18X2-1/4X5/8,K52-1(22FT-LB)      | 2 EA        |
| 45              | 310-1004        | HEAD,START/STOP,G PUMP,REPLACEMNT,L50<br>( LEFT HEAD ) | 1 EA        |
| 46              | 104-1008        | GASKET,HEAD,K&G&W PUMP,1/32THK,L51                     | 1 EA        |

## Parts List for Model W & WU

NOTE: The quantity number indicates the total number of pieces required for a complete pump repair.  
When ordering parts give compressor model, serial number and part number. Order assemblies when possible.

| <u>REF. NO.</u> | <u>PART NO.</u> | <u>DESCRIPTION</u>  | <u>QTY.</u> |
|-----------------|-----------------|---|-------------|
| 47              | 150-1041        | RETAINER, VALVE, STEEL, PAS, 0.062" THK, K43                    | 9 EA        |
| 48              | 109-1010        | VALVE, CHECK, BUMPER, STEEL, K44                                | 9 EA        |
| 49              | 150-1018        | SPRING, CONE, SS, VALVE, DISCHARGE, K46                         | 6 EA        |
| 50              | 109-1011        | VALVE, DISC, STEEL, K47   | 9 EA        |
| 51              | 220-1013        | PLATE, VALVE, L PUMP, CI, MACHINED, L40                         | 1 EA        |
| 52              | 150-1017        | SPRING, CONE, SS, VALVE, INTAKE, K45                            | 3 EA        |
| 53              | 104-1007        | GASKET, PLATE, VALVE, K&G&W PUMP, 1/32TK, L41                   | 2 EA        |
| 54              | 360-1152        | CYLINDER W30 REPLACEMENT BLUE W30                               | 2 EA        |
| 55              | 120-1017        | SCREW, CAP, HEXHD, GR5, ST, BLK, 5/16-18X3/4<br>( 15 FT - LB. ) | 12 EA       |
| 56              | 104-1006        | GASKET, CYLINDER, K&G&W PUMP, 1/32THK, K31                      | 2 EA        |
| 57              | 320-1121        | FILTER, W/DECALS, ASSY, G154S                                   | 2 EA        |
| 58              | 141-1006        | VALVE, SAFETY, NON-CODE, 1/4", 65 PSI, SV65                     | 1 EA        |
| 59              | 121-1013        | ELBOW, MALE, BRASS, 1/2-45SAEX1/2"NPTM                          | 2 EA        |
| 60              | 121-1015        | ELBOW, MALE, BRASS, 5/8-45SAEX1/2"NPTM                          | 1 EA        |
| 61              | 310-1022        | HEAD, START/STOP, EQ PUMP ( RIGHT HEAD )                        | 1 EA        |
| 62              | 104-1013        | GASKET, HEAD, K&G&W PUMP, 1/32THK, EQ51                         | 1 EA        |
| 63              | 220-1041        | PLATE, VALVE, W PUMP, CI, MACHINED, W40                         | 1 EA        |
| 64              | 121-1039        | TEE, BRANCH, BRASS, 1/4"TBX1/4"TBX1/8"NPTM                      | 1 EA        |
| 65              | 610-1136        | TUBING, UNLOADER, HEAD-HEAD, W PUMP, WU88                       | 1 EA        |
| 66              | 150-1104        | ELEMENT, FILTER, AIR, (92 EMGLO), G54E                          | 2 EA        |
| 67              | 610-1057        | INTERCOOLER, FINNED, W/FLARE NUTS, ASY, EQ65                    | 1 EA        |
| 68              | 610-1135        | TUBE, UNLOADER, CENTRIFUGAL, W PUMP, CU, W78                    | 1 EA        |

## Parts List for Model W & WU

NOTE: The quantity number indicates the total number of pieces required for a complete pump repair.  
When ordering parts give compressor model, serial number and part number. Order assemblies when possible.

| <u>REF. NO.</u> | <u>PART NO.</u> | <u>DESCRIPTION</u>  | <u>QTY.</u> |
|-----------------|-----------------|---|-------------|
| 69              | 610-1059        | INTERCOOLER,FINNED,W/FLARE NUTS,ASSY,W65  | 1 EA        |
| 70              | 610-1134        | TUBE,BREATHER,COPPER,BENT,J&W PUMP,W18  | 1 EA        |
| 71              | 220-1043        | HEAD,UNLOADING,EQ PUMP,CI,6HOLES,EQ80   | 1 EA        |
| 72              | 121-1015        | ELBOW,MALE,BRASS,5/8-45SAEX1/2"NPTM   | 1 EA        |
| 73              | 610-1050        | KIT,GASKET,W PUMP,ASSY,W100<br>SET INCLUDES 12, 2 OF 56, 2 OF 53, 46, 62                | 1 EA        |
| 74              | 610-1132        | KIT,BASIC,REPAIR,W PUMP,W101<br>KIT INCLUDES (2) 78, 73, 79, 80, 81(3) 82(6)            | 1 EA        |
| 75              | 610-1133        | KIT,BASIC,REPAIR,WU PUMP,WU101<br>SAME AS 73, W / (4) 88                                | 1 EA        |
| 76              | 610-1028        | PISTON,W/RINGS&PIN,ASSY,K132  | 3 EA        |
| 77              | 610-1013        | PISTON,HIGH PSI,W/RINGS&PIN,ASSY,EQ132  | 1 EA        |
| 78              | 610-1020        | KIT,PUMP,RING,PISTON,F&K&G&W PUMP,K133  | 2 EA        |
| 79              | 610-1045        | PLATE,VALVE,W/VALVES,ASSY,L140<br>INSTALLED W / 53, 46 GASKET                           | 1 EA        |
| 80              | 610-1052        | PLATE,VALVE,RIGHT,W/VALVES,ASSY,W140<br>INSTALLED W / 53, 62 GASKETS                    | 1 EA        |
| 81              | 610-1031        | VALVE,CHECK,SUCTION,ASSY,K145   | 3 EA        |
| 82              | 610-1032        | VALVE,CHECK,DISCHARGE,ASSY,K146   | 6 EA        |
| 83              | 610-1053        | WEIGHT,UNLOADER,CENTRIFICAL,W/GSKT,W170<br>ASSY, W / GASKET,INCLUDES 12, 13, 14, 16, 17 | 1 EA        |
| 84              | 310-1016        | VALVE,UNLOADER,CENTRIFICAL,ASSY,EQ174<br>ASSY. INCLUDES 20, 21, 22, 23, 24              | 1 EA        |
| 85              | 610-1054        | UNLOADER,CENTRIFICAL,W/B CAP,ASSY,W175<br>ASSY. W / BEARING CAP, TUBING AND GASKET      | 1 EA        |
| 86*             | 310-1008        | HEAD,UNLOADING,K&G,W/1/2"PRT 6 HLE,LU180<br>COMPLETE W / UNLOADERS ( RIGHT HEAD )       | 1 EA        |
| 86**            | 310-1013        | HEAD UNLOADING,SVC REPLACEMENT,EQ180  | 1 EA        |

## Parts List for Model W & WU

NOTE: The quantity number indicates the total number of pieces required for a complete pump repair.  
When ordering parts give compressor model, serial number and part number. Order assemblies when possible.

| <u>REF. NO.</u> | <u>PART NO.</u> | <u>DESCRIPTION</u><br>( LEFT HEAD ) NEW AS OF 12/1/05             | <u>QTY.</u> |
|-----------------|-----------------|---|-------------|
| 87              | 610-1042        | VALVE,UNLOADER,HEAD,PUMP,ASSY,KU181<br>INCLUDES 36,37, 38, 39, 40 | 1 EA        |

86\* for units built after serial #D110105001

86\*\* for units built before serial #D103105001