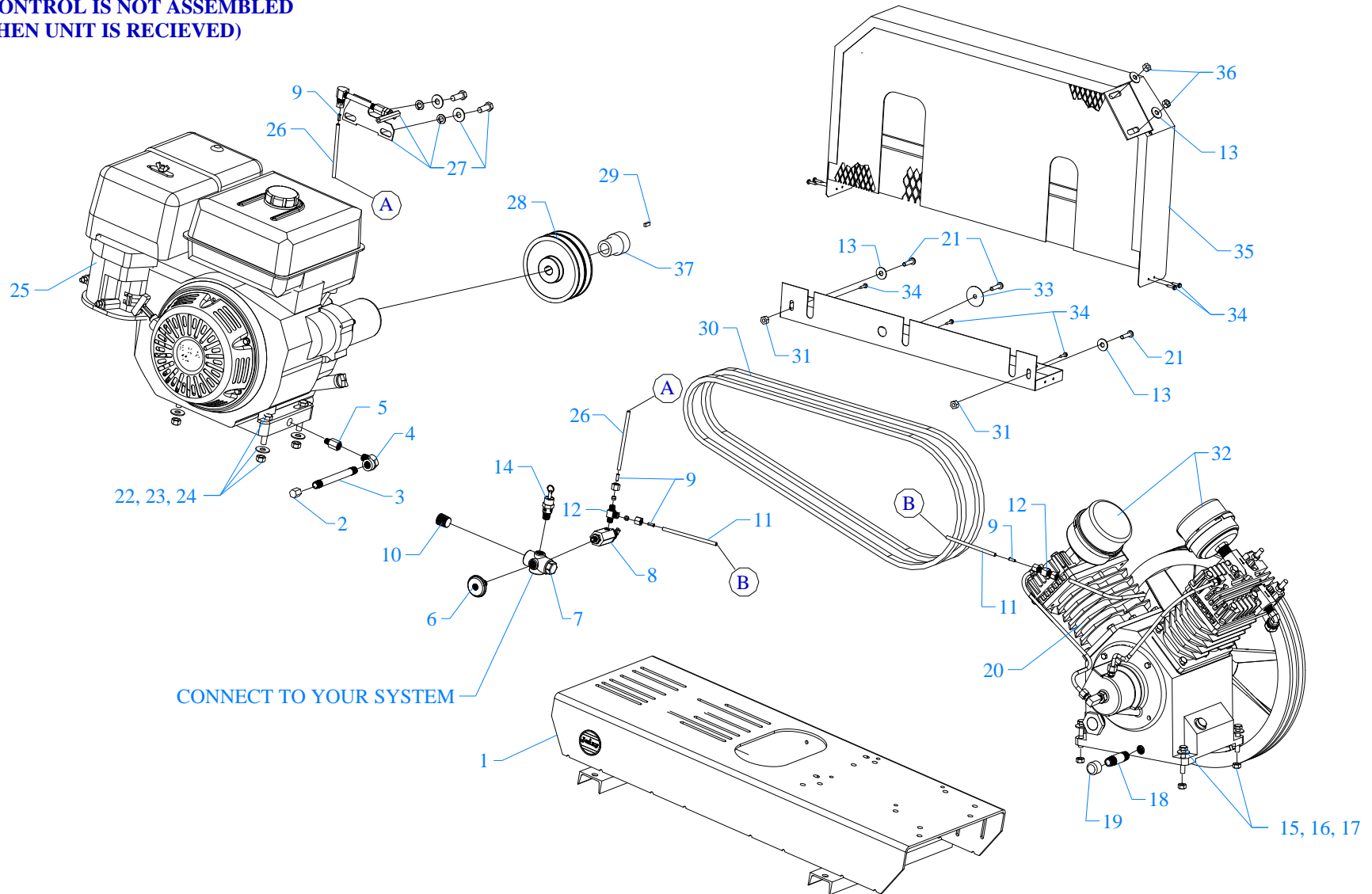


MODEL W11HGB - B

FOR IDLE CONTROL MOUNTING
INSTRUCTIONS SEE DRAWING
THAT SHOWS 11 HP HONDA
(IDLE CONTROL IS NOT ASSEMBLED
WHEN UNIT IS RECEIVED)



Parts List for Model W11HGB-B

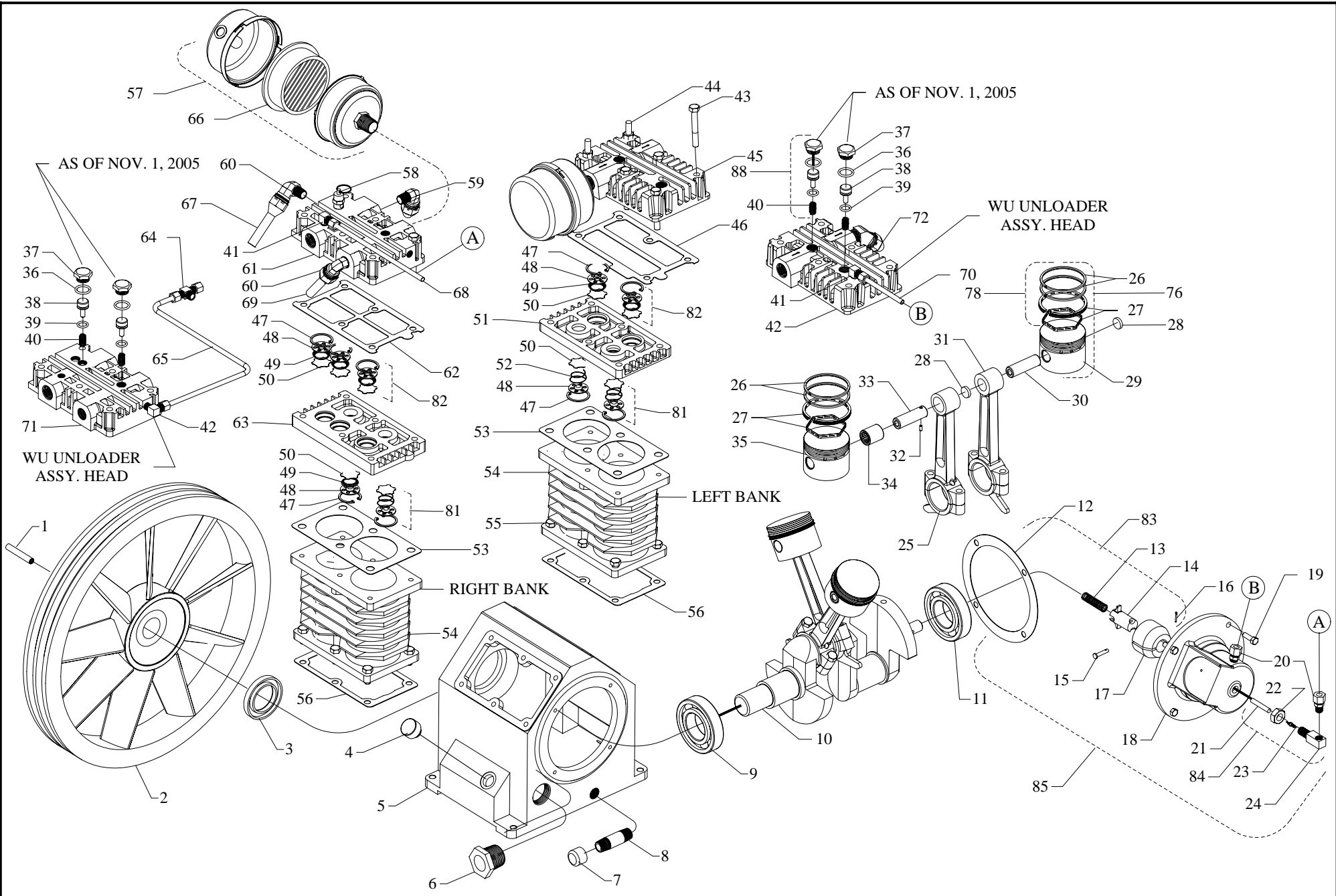
NOTE: The quantity number indicates the total number of pieces required for a complete unit repair.
When ordering parts give compressor model, serial number and part number. Order assemblies when possible.

| <u>REF. NO.</u> | <u>PART NO.</u> | <u>DESCRIPTION</u> | <u>QTY.</u> |
|-----------------|-----------------|--|-------------|
| 1 | 320-1064 | DECK 32 X 12RE ENFORCED GAS | 1 |
| 2 | 122-1126 | CAP,HEX,MI,PLATED,1/4"NPT | 1 |
| 3 | 122-1221 | NIPPLE,STEEL,SCH 40,PLATED,1/4" x 9" L | 1 |
| 4 | 121-1049 | ELBOW,STREET,BRASS,1/4"NPT | 1 |
| 5 | 150-1183 | ADAPTER,DRAIN,OIL,BRASS,8&11HP,HONDA | 1 |
| 6 | 142-1003 | GAUGE,PSI,200#,BK MT,JENNY,1.5,1/4",PG14 | 1 |
| 7 | 220-1121 | BLOCK,MANIFOLD,ZINC,5 HOLE,TAPPED,MC-5 | 1 |
| 8 | 141-1048 | VALVE,PILOT,W/HAND UNLOADER,175PSI,1/4"M | 1 |
| 9 | 121-1048 | INSERT,TUBING,BRASS,1/4"OD NYLON | 4 |
| 10 | 122-1047 | PLUG,SOCKET,HEX,ST,PL,1/2" NPT | 1 |
| 11 | 104-1010 | TUBING,NYLON,BLACK,1/4"DIAX0.040WALL | 3FT |
| 12 | 121-1038 | TEE,RUN,BRASS,1/4"TBX1/4TBX1/8"NPTM | 1 |
| 13 | 120-1075 | WASHER,FLAT,STEEL,PLATED,5/16" | 4 |
| 14 | 141-1011 | VALVE,SAFETY,ASME,1/4",200 PSI,SVU200 | 1 |
| 15 | 120-1009 | SCREW,CAP,HEXHD,GR5,ST,PLTD,1/4-20X1-1/4 | 4 |
| 16 | 120-1116 | NUT,LOCK,FLANGE,HEX,SERR,ST,PLTD,1/4-20 | 4 |
| 17 | 120-1072 | WASHER,FENDER,ST,PLATED,1/4"X1-1/2"OD | 4 |
| 18 | 122-1084 | CAP,FEMALE,MI,3/8"NPT | 1 |
| 19 | 122-1039 | NIPPLE,STEEL,SCH 40,3/8" X 5" L | 1 |
| 20 | 421-1502 | PUMP,CMPRSR,PISTON,REPLCMT,BLUE,WU | 1 |
| 21 | 120-1267 | SCREW,PAN HD,PHIL,STEEL,PLTD,1/4-20 X 1" | 3 |
| 22 | 120-1075 | WASHER,FLAT,STEEL,PLATED,5/16" | 8 |
| 23 | 120-1119 | NUT,LOCK,FLANGE,HEX,SERR,ST,PLTD,5/16-18 | 4 |
| 24 | 120-1289 | SCREW,MACH,HEXHD,GR5,ST,PL,5/16-18X1-3/4 | 4 |

Parts List for Model W11HGB-B

NOTE: The quantity number indicates the total number of pieces required for a complete unit repair.
When ordering parts give compressor model, serial number and part number. Order assemblies when possible.

| <u>REF. NO.</u> | <u>PART NO.</u> | <u>DESCRIPTION</u> | <u>QTY.</u> |
|-----------------|-----------------|--|-------------|
| 25 | 131-1023 | ENGINE,GAS,HONDA,11 HP,E/S,GX340K1QAE2 | 1 |
| 26 | 104-1010 | TUBING,NYLON,BLACK,1/4"DIAX0.040WALL | 3FT |
| 27 | 320-1082 | CONTROL,IDLE,HONDA,11HP,ASSY,TIC-11HG | 1 |
| 28 | 154-1165 | PULLEY,CI,DG,3.5PDA,1ID,2AK39X1 | 1 |
| 29 | 120-1109 | KEY,STEEL,BLACK,5/16X5/16X 1-1/2" LENGTH | 1 |
| 30 | 154-4700 | BELT,VEE,A60,4L-700 | 2 |
| 31 | 120-1116 | NUT,LOCK,FLANGE,HEX,SERR,ST,PLTD,1/4-20 | 2 |
| 32 | 320-1121 | FILTER,W/DECALS,ASSY,G154S | 2 |
| 33 | 120-1072 | WASHER,FENDER,ST,PLATED,1/4"X1-1/2"OD | 1 |
| 34 | 120-1177 | SCREW,SELF DRILL,HEX,ST,PL,12 X 3/4 | 7 |
| 35 | 320-1180 | BELTGUARD,GT,W/PAN,4.13WX14.89HX30.25LG | 1 |
| 36 | 120-1119 | NUT,LOCK,FLANGE,HEX,SERR,ST,PLTD,5/16-18 | 2 |
| NOT SHOWN | 610-1225 | KIT,ELEMENT,FILTER,G54E,PKG OF 4,G54EP | 1 |
| NOT SHOWN | 105-1209 | OIL,PUMP,SYNTHETIC,BLUE,1 QUART,ESQ | 1 |



MODEL W & WU
 Four Cyliner Two Stage
 2-1/2 (3) -2-1/2 Bore X 3-1/4 Stroke

Parts List for Model W & WU

NOTE: The quantity number indicates the total number of pieces required for a complete pump repair.
When ordering parts give compressor model, serial number and part number. Order assemblies when possible.

| <u>REF. NO.</u> | <u>PART NO.</u> | <u>DESCRIPTION</u> | <u>QTY.</u> |
|-----------------|-----------------|---|-------------|
| 1 | 120-1166 | PIN,FLYWHEEL, STL, 5/16 ODX 1-1/4 L, W25 | 1 EA |
| 2 | 220-1094 | FLYWHEEL,W PUMP,CI,16"DIA,2 GROOVE,W23A | 1 EA |
| 3 | 150-1038 | SEAL,OIL,LIP,SINGLE,1.575 DIA,W11 | 1 EA |
| 4 | 610-1051 | PLUG,FILL,OIL,W/O-RING&DIPSTICK,ASSY,W14 | 2 EA |
| 5 | 220-1036 | CRANKCASE,W PUMP,CI,MACHINED,W1 | 1 EA |
| 6 | 360-1114 | SIGHT GLASS 1" INSTALLED LOW | 1 EA |
| 7 | 122-1084 | CAP,FEMALE,MI,3/8"NPT | 1 EA |
| 8 | 122-1037 | NIPPLE,STEEL,SCH 40,3/8" X 2" L | 1 EA |
| 9 | 150-1031 | BEARING,BALL,W9 | 1 EA |
| 10 | 220-1038 | CRANKSHAFT,W PUMP,CI,MACHINED,W20 | 1 EA |
| 11 | 150-1032 | BEARING,BALL,W10 | 1 EA |
| 12 | 104-1014 | GASKET,CAP,BEARING,W PUMP,1/32THK,W3 | 1 EA |
| 13 | 150-1081 | COIL SPRING C/U UNLOADER ZN | 1 EA |
| 14 | 220-1049 | TUBE,OPERATING,CENTRIFICAL UNLOADER,EQ71 | 1 EA |
| 15 | 120-1169 | PIN,COTTER,ST,BLACK,1\16DIA X 1\2LG,EQ73B | 1 EA |
| 16 | 610-1066 | PIN,PIVOT,UNLDR,CNTRFCL,W/CTTR PIN,EQ73 | 1 EA |
| 17 | 610-1167 | UNLOADER,CENTRIFUGAL,WEIGHT,SET,EQ70 | 1 EA |
| 18 | 220-1037 | CAP,BEARING,W PUMP,CI,MACHINED,W2 | 1 EA |
| 19 | 120-1002 | SCREW,CAP,HEXHD,GR5,ST,BLK,1/4-20X5/8 (15 FT - LB. | 4 EA |
| 20 | 121-1025 | CONNECTOR,MALE,COMPRESSION,BR,1/4TBX1/8" | 2 EA |
| 21 | 220-1050 | PIN,UNLOADER,CENTRIFICAL,EQ74D | 1 EA |
| 22 | 120-1171 | NUT,HEX,JAM,STEEL,PLATED,7/16-20,EQ74C | 1 EA |
| 23 | 120-1170 | VALVE,CORE,EQ74A | 1 EA |

Parts List for Model W & WU

NOTE: The quantity number indicates the total number of pieces required for a complete pump repair.
When ordering parts give compressor model, serial number and part number. Order assemblies when possible.

| <u>REF. NO.</u> | <u>PART NO.</u> | <u>DESCRIPTION</u> | <u>QTY.</u> |
|-----------------|-----------------|--|-------------|
| 24 | 150-1035 | BODY,UNLOADER,EQ74B | 1 EA |
| 25 | 310-1012 | ROD,CONNECTING,AL,HIGH PRESSURE,W21W | 1 EA |
| 26 | 150-1003 | RING,COMPRESSION,PISTON,STEEL,EBA 22,K33 | 8 EA |
| 27 | 610-1065 | KIT,RING,OIL,W/EXPANDER,ASSY,K34 | 4 EA |
| 28 | 104-1103 | BUMPER,WRIST PIN,PLASTIC,K36A | 6 EA |
| 29 | 220-1005 | PISTON,PUMP,ALUMINUM,MACHINED,K32 | 3 EA |
| 30 | 150-1005 | PIN,PISTON,STEEL,HARDENED,K35 | 3 EA |
| 31 | 310-1007 | ROD,CONNECTING,PUMP,ALUM,MACHINED,W21 | 3 EA |
| 32 | 120-1165 | PIN,ROLLED,STEEL,BLACK,1/8ODX5/16L,EQ37 | 1 EA |
| 33 | 150-1039 | PIN,PISTON,STEEL,EQ35 | 1 EA |
| 34 | 150-1034 | BEARING,NEEDLE,EQ38 | 1 EA |
| 35 | 220-1042 | PISTON,MACHINED,2 STAGE,K32W | 1 EA |
| 36 | 104-1015 | RING,O,BUNA-N,1/2"IDX11/16"ODX3/32"THK | 4 EA |
| 37 | 122-1051 | PLUG,HEX ,BRASS,11/16-16 UN-2B X .550 | 4 EA |
| 38 | 150-1028 | PISTON,UNLOADER,VALVE,CHECK,BRASS,KU81 | 4 EA |
| 39 | 104-1020 | RING,O,SILICON,7/16"IDX5/8"ODX3/32"THK | 4 EA |
| 40 | 150-1020 | SPRING,VALVE,UNLOADER,INTAKE, KU83 | 4 EA |
| 41 | 121-1032 | ELBOW,MALE,COMPRESSION,BR,1/4TBX1/8"NPTM | 3 EA |
| 42 | 220-1016 | HEAD,UNLOADING,G PUMP,CI,6HOLES,LU80 | 1 EA |
| 43 | 120-1028 | SCREW,CAP,HEXHD,GR5,ST,BLK,5/16-18X2-1/4(22FT-LB) | 10 EA |
| 44 | 120-1252 | BOLT,STUD,HEX,ST,5/16-18X2-1/4X5/8,K52-1(22FT-LB) | 2 EA |
| 45 | 310-1004 | HEAD,START/STOP,G PUMP,REPLACEMNT,L50 (LEFT HEAD) | 1 EA |
| 46 | 104-1008 | GASKET,HEAD,K&G&W PUMP,1/32THK,L51 | 1 EA |

Parts List for Model W & WU

NOTE: The quantity number indicates the total number of pieces required for a complete pump repair.
When ordering parts give compressor model, serial number and part number. Order assemblies when possible.

| <u>REF. NO.</u> | <u>PART NO.</u> | <u>DESCRIPTION</u> | <u>QTY.</u> |
|-----------------|-----------------|---|-------------|
| 47 | 150-1041 | RETAINER, VALVE, STEEL, PAS, 0.062" THK, K43 | 9 EA |
| 48 | 109-1010 | VALVE, CHECK, BUMPER, STEEL, K44 | 9 EA |
| 49 | 150-1018 | SPRING, CONE, SS, VALVE, DISCHARGE, K46 | 6 EA |
| 50 | 109-1011 | VALVE, DISC, STEEL, K47 | 9 EA |
| 51 | 220-1013 | PLATE, VALVE, L PUMP, CI, MACHINED, L40 | 1 EA |
| 52 | 150-1017 | SPRING, CONE, SS, VALVE, INTAKE, K45 | 3 EA |
| 53 | 104-1007 | GASKET, PLATE, VALVE, K&G&W PUMP, 1/32TK, L41 | 2 EA |
| 54 | 360-1152 | CYLINDER W30 REPLACEMENT BLUE W30 | 2 EA |
| 55 | 120-1017 | SCREW, CAP, HEXHD, GR5, ST, BLK, 5/16-18X3/4 (15 FT - LB.) | 12 EA |
| 56 | 104-1006 | GASKET, CYLINDER, K&G&W PUMP, 1/32THK, K31 | 2 EA |
| 57 | 320-1121 | FILTER, W/DECALS, ASSY, G154S | 2 EA |
| 58 | 141-1006 | VALVE, SAFETY, NON-CODE, 1/4", 65 PSI, SV65 | 1 EA |
| 59 | 121-1013 | ELBOW, MALE, BRASS, 1/2-45SAEX1/2"NPTM | 2 EA |
| 60 | 121-1015 | ELBOW, MALE, BRASS, 5/8-45SAEX1/2"NPTM | 1 EA |
| 61 | 310-1022 | HEAD, START/STOP, EQ PUMP (RIGHT HEAD) | 1 EA |
| 62 | 104-1013 | GASKET, HEAD, K&G&W PUMP, 1/32THK, EQ51 | 1 EA |
| 63 | 220-1041 | PLATE, VALVE, W PUMP, CI, MACHINED, W40 | 1 EA |
| 64 | 121-1039 | TEE, BRANCH, BRASS, 1/4"TBX1/4"TBX1/8"NPTM | 1 EA |
| 65 | 610-1136 | TUBING, UNLOADER, HEAD-HEAD, W PUMP, WU88 | 1 EA |
| 66 | 150-1104 | ELEMENT, FILTER, AIR, (92 EMGLO), G54E | 2 EA |
| 67 | 610-1057 | INTERCOOLER, FINNED, W/FLARE NUTS, ASY, EQ65 | 1 EA |
| 68 | 610-1135 | TUBE, UNLOADER, CENTRIFUGAL, W PUMP, CU, W78 | 1 EA |

Parts List for Model W & WU

NOTE: The quantity number indicates the total number of pieces required for a complete pump repair.
When ordering parts give compressor model, serial number and part number. Order assemblies when possible.

| <u>REF. NO.</u> | <u>PART NO.</u> | <u>DESCRIPTION</u> | <u>QTY.</u> |
|-----------------|-----------------|---|-------------|
| 69 | 610-1059 | INTERCOOLER,FINNED,W/FLARE NUTS,ASSY,W65 | 1 EA |
| 70 | 610-1134 | TUBE,BREATHER,COPPER,BENT,J&W PUMP,W18 | 1 EA |
| 71 | 220-1043 | HEAD,UNLOADING,EQ PUMP,CI,6HOLES,EQ80 | 1 EA |
| 72 | 121-1015 | ELBOW,MALE,BRASS,5/8-45SAEX1/2"NPTM | 1 EA |
| 73 | 610-1050 | KIT,GASKET,W PUMP,ASSY,W100 SET INCLUDES 12, 2 OF 56, 2 OF 53, 46, 62 | 1 EA |
| 74 | 610-1132 | KIT,BASIC,REPAIR,W PUMP,W101 KIT INCLUDES (2) 78, 73, 79, 80, 81(3) 82(6) | 1 EA |
| 75 | 610-1133 | KIT,BASIC,REPAIR,WU PUMP,WU101 SAME AS 73, W / (4) 88 | 1 EA |
| 76 | 610-1028 | PISTON,W/RINGS&PIN,ASSY,K132 | 3 EA |
| 77 | 610-1013 | PISTON,HIGH PSI,W/RINGS&PIN,ASSY,EQ132 | 1 EA |
| 78 | 610-1020 | KIT,PUMP,RING,PISTON,F&K&G&W PUMP,K133 | 2 EA |
| 79 | 610-1045 | PLATE,VALVE,W/VALVES,ASSY,L140 INSTALLED W / 53, 46 GASKET | 1 EA |
| 80 | 610-1052 | PLATE,VALVE,RIGHT,W/VALVES,ASSY,W140 INSTALLED W / 53, 62 GASKETS | 1 EA |
| 81 | 610-1031 | VALVE,CHECK,SUCTION,ASSY,K145 | 3 EA |
| 82 | 610-1032 | VALVE,CHECK,DISCHARGE,ASSY,K146 | 6 EA |
| 83 | 610-1053 | WEIGHT,UNLOADER,CENTRIFICAL,W/GSKT,W170 ASSY, W / GASKET,INCLUDES 12, 13, 14, 16, 17 | 1 EA |
| 84 | 310-1016 | VALVE,UNLOADER,CENTRIFICAL,ASSY,EQ174 ASSY. INCLUDES 20, 21, 22, 23, 24 | 1 EA |
| 85 | 610-1054 | UNLOADER,CENTRIFICAL,W/B CAP,ASSY,W175 ASSY. W / BEARING CAP, TUBING AND GASKET | 1 EA |
| 86* | 310-1008 | HEAD,UNLOADING,K&G,W/1/2"PRT 6 HLE,LU180 COMPLETE W / UNLOADERS (RIGHT HEAD) | 1 EA |
| 86** | 310-1013 | HEAD UNLOADING,SVC REPLACEMENT,EQ180 | 1 EA |

Parts List for Model W & WU

NOTE: The quantity number indicates the total number of pieces required for a complete pump repair.
When ordering parts give compressor model, serial number and part number. Order assemblies when possible.

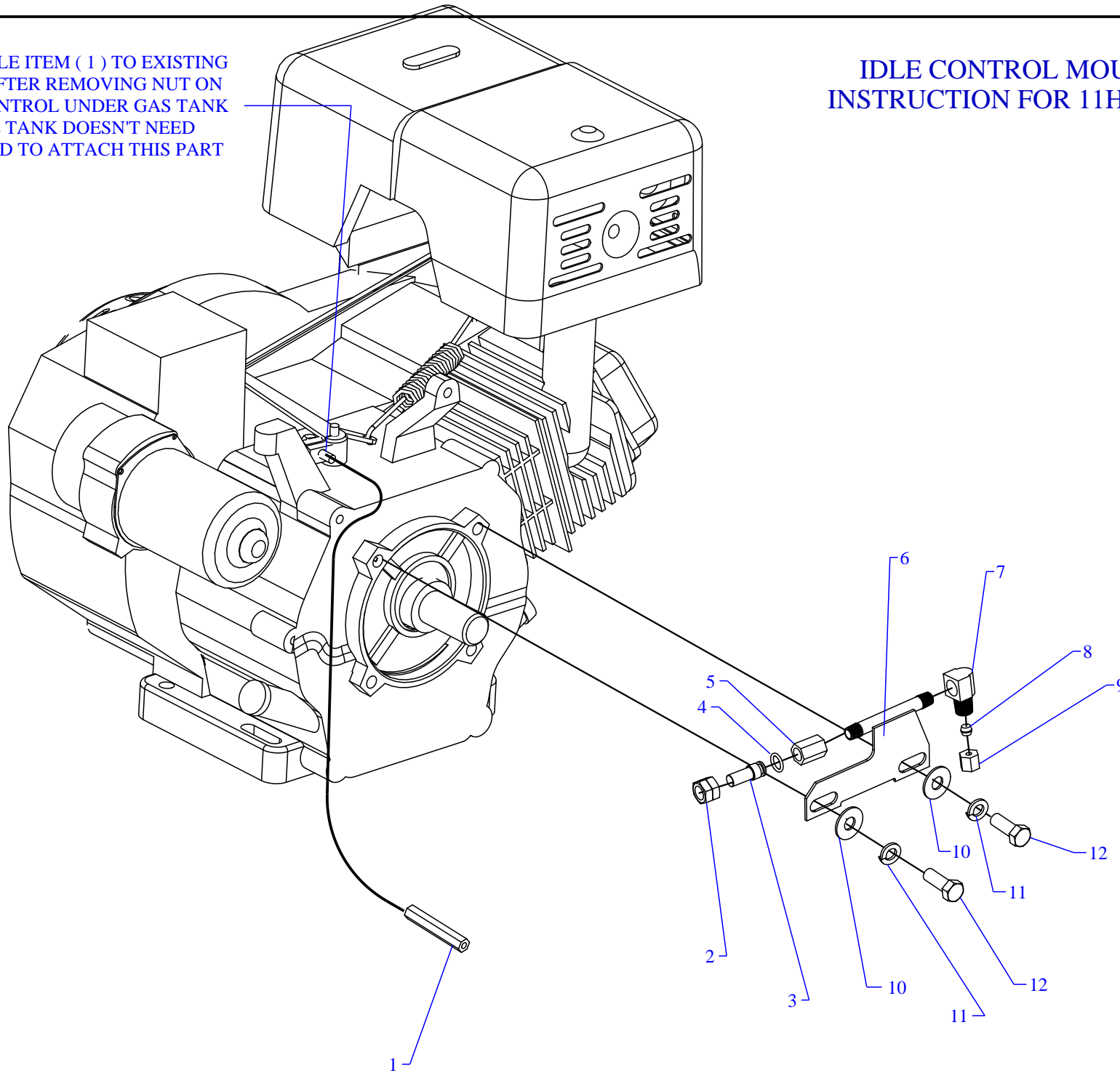
| <u>REF. NO.</u> | <u>PART NO.</u> | <u>DESCRIPTION</u> (LEFT HEAD) NEW AS OF 12/1/05 | <u>QTY.</u> |
|-----------------|-----------------|---|-------------|
| 87 | 610-1042 | VALVE,UNLOADER,HEAD,PUMP,ASSY,KU181 INCLUDES 36,37, 38, 39, 40 | 1 EA |

86* for units built after serial #D110105001

86** for units built before serial #D103105001

ASSEMBLE ITEM (1) TO EXISTING
BOLT AFTER REMOVING NUT ON
IDLE CONTROL UNDER GAS TANK
NOTE TANK DOESN'T NEED
REMOVED TO ATTACH THIS PART

IDLE CONTROL MOUNTING INSTRUCTION FOR 11HP HONDA



Parts List for 11&13HP Honda Throttle Idle Control

NOTE: The quantity number indicates the total number of pieces required for a complete unit repair.

When ordering parts give compressor model, serial number and part number. Order assemblies when possible.

| <u>REF. NO.</u> | <u>PART NO.</u> | <u>DESCRIPTION</u> | <u>QTY.</u> |
|-----------------|-----------------|--|-------------|
| 1 | 220-1061 | LEVER,CONTROL,IDLE,HONDA,8HP,LIC-8HG | 1 |
| 2 | 121-1083 | NUT,COMPRESSION,TUBING,BRASS,3/8" | 1 |
| 3 | 150-1064 | PISTON,CONTROL,IDLE,THROTTLE,HONDA | 1 |
| 4 | 104-1021 | RING,O,BUNA-N,5/16"IDX7/16"ODX1/16"THK | 1 |
| 5 | 150-1063 | CYLINDER,CONTROL,IDLE,THROTTLE,BRASS,TIC | 1 |
| 6 | 150-1139 | BRACKET,CONTROL,IDLE,THROTTLE,11HP,HONDA | 1 |
| 7 | 121-1037 | ELBOW,FEMALE,COMPRESSION,BR,1/4TBX1/8"N | 1 |
| 8 | 121-1080 | SLEEVE,COMPRESSION,BRASS,1/4" | 1 |
| 9 | 121-1082 | NUT,COMPRESSION,TUBING,BRASS,1/4" | 1 |
| 10 | 120-1078 | WASHER,FLAT,STEEL,PLATED,USS,3/8" | 2 |
| 11 | 120-1077 | WASHER,LOCK,SPLIT,STEEL,PLATED,3/8" | 2 |
| 12 | 120-1032 | SCREW,CAP,HEXHD,GR5,ST,PLTD,3/8-16X1 | 2 |