

. - F 013 MM6 000 - VC60

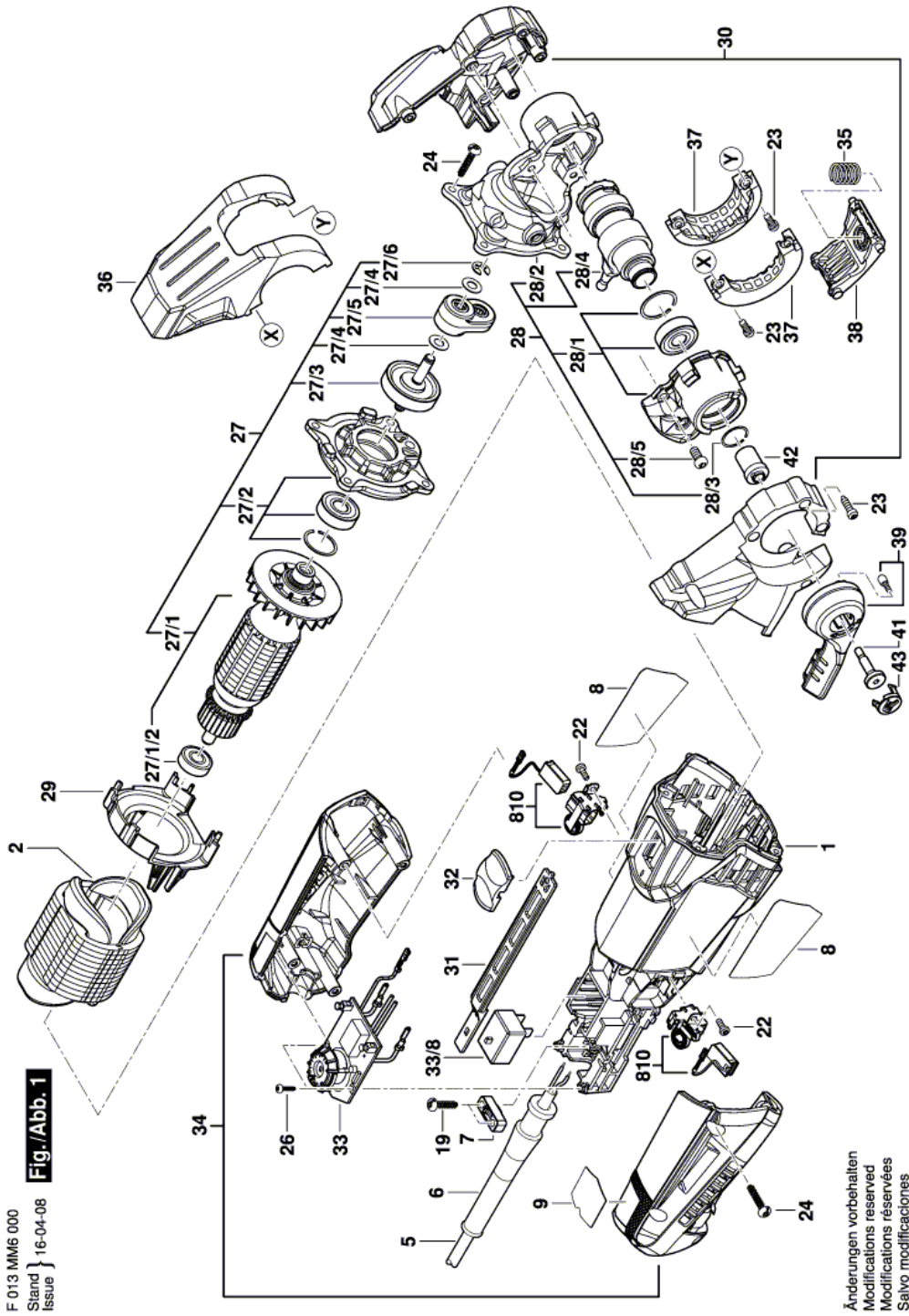
www.powertools-aftersaleservice.com

**BOSCH**

Item	Part Number	Description	Illustration	Price	Quantity	Price Group
1	1 605 108 2AV	Motor Housing	1	-,-	1	-
2	1 605 806 57K	Field assembly	1	-,-	1	-
5	2 604 460 122	Power supply cord USA/CDN 2,15m 2 x 0,82mm SJ 18/2	1	-,-	1	28
6	2 610 016 369	Cord guard	1	-,-	1	11
7	2 601 035 001	Cable Clip	1	-,-	1	11
8	6 082 942 8DM	Label	1	-,-	1	-
9	1 600 A00 F81	Label	1	-,-	1	-
19	2 603 490 022	Screw 4x16	1	-,-	2	10
22	1 619 P02 849	Torx Oval-Head Screw 3x8	1	-,-	1	10
23	2 615 294 035	Cross Recessed-Head Screw	1	-,-	9	11
24	2 603 490 023	Torx Oval-Head Screw 4x20	1	-,-	8	10
26	1 619 X02 572	Screw	1	-,-	2	10
27	1 600 A00 3HT	Crank Assembly	1	-,-	1	-
27/1	1 600 A00 499	Armature assembly	1	-,-	1	-
27/1/2	1 619 P00 456	Ball Bearing 7x19x6 MM	1	-,-	1	14
27/2	2 610 039 903	Pivot Plate	1	-,-	1	-
27/3	2 610 039 905	Counterweight	1	-,-	1	-
27/4	1 600 A00 L21	Shim	1	-,-	2	-
27/5	2 610 039 906	Linkage	1	-,-	1	-
27/6	1 605 806 57R	Retaining clip	1	-,-	1	-
28	1 600 A00 FE4	Quick Acting Flange	1	-,-	1	-
28/1	1 600 A00 FE5	Housing Assembly	1	-,-	1	-
28/2	1 600 A00 3HV	Housing	1	-,-	1	-
28/3	1 600 A00 8BF	Retaining ring	1	-,-	1	-
28/4	1 600 A00 86A	Insert Piece	1	-,-	1	-
28/5	1 603 435 068	Thread-forming tap. Screw DIN 7500, M4x10, SR10.2	1	-,-	2	11
29	2 610 036 184	Baffle	1	-,-	1	-
30	1 600 A00 FB8	Housing Assembly	1	-,-	1	-
31	1 600 A00 A4S	Lever Switch	1	-,-	1	-
32	2 610 036 181	Switch Cover	1	-,-	1	-
33	1 600 A00 3BD	Speed governor	1	-,-	1	-
33/8	1 619 X04 229	Switch Unit	1	-,-	1	19

Item	Part Number	Description	Illustration	Price	Quantity	Price Group
34	1 600 A00 FB9	Housing Assembly	1	-,-	1	-
35	1 600 A00 FB7	Spring	1	-,-	1	-
36	1 600 A00 3J3	Lever Foot	1	-,-	1	-
37	1 600 A00 861	Footrest	1	-,-	2	-
38	1 600 A00 37E	Lever	1	-,-	1	-
39	2 610 033 495	Handle	1	-,-	1	-
41	1 600 A00 4RH	Bolt	1	-,-	1	-
42	1 600 A00 89Z	Post	1	-,-	1	-
43	1 605 500 29W	Cap	1	-,-	1	-
810	2 610 044 784	Brush	1	-,-	1	-

Illustration - Type E



Information subject to change without further notice.