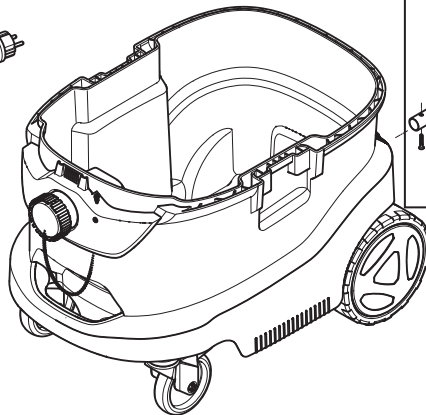
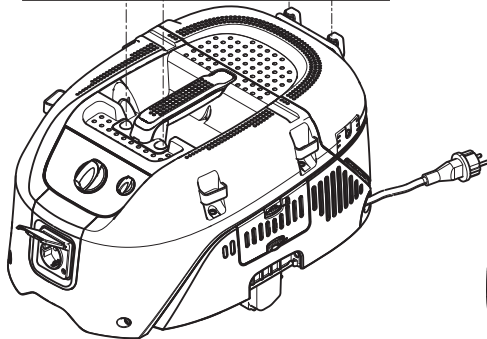
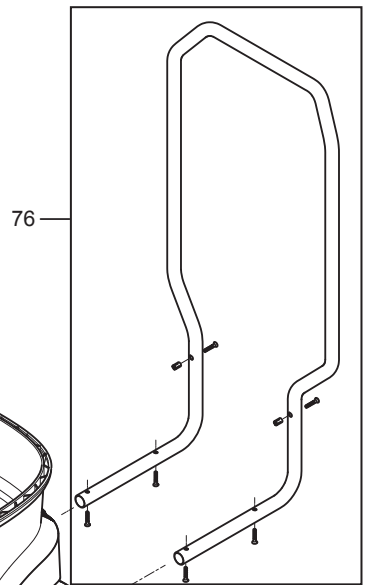
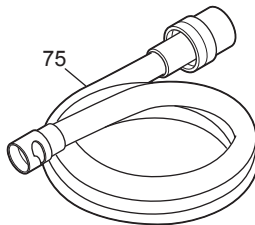
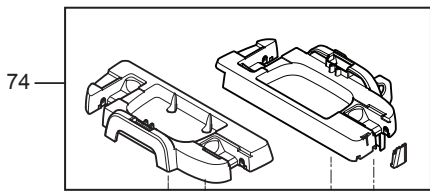
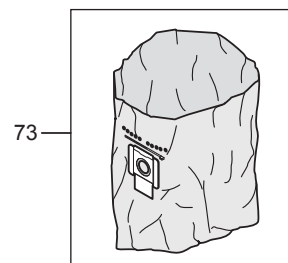
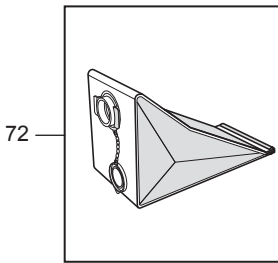
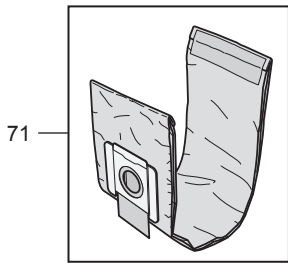
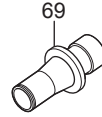
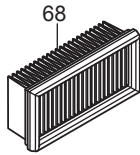
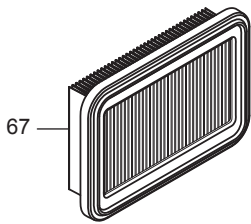
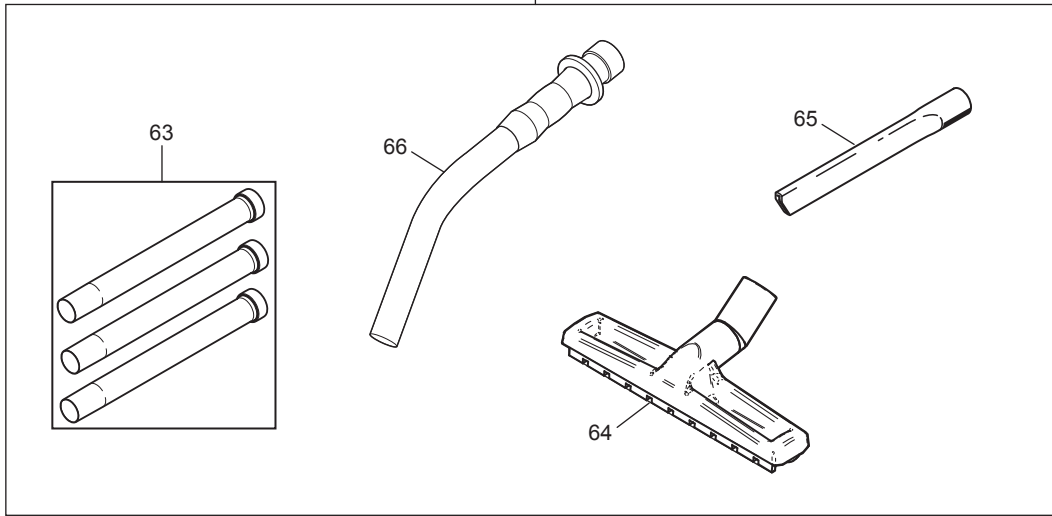


62



Model VC4210L Parts List

A = Standard Equipment

O = Circuit Diagram

Item#	Part#	Description	Q'ty Unit
001	W909100222	SWITCH KNOB MAKITA BLUE	1 PC.
002	W9868	O-RING 10x2.5 NBR70	1 PC.
003	W107415085	ROTARY SWITCH 5POS. 16A	1 PC.
004	W107415024	POTENTIOMETER	2 PC.
005	W107415080	CAP FOR POTENTIOMETER	1 PC.
007-1	W107416106	SWITCH KNOB	1 PC.
008	W302004338	SOCKET US.CA.MX -NEMA	1 PC.
009	W107418664	CONTROL PANEL	1 PC.
010	W107418217	HANDLE KIT	1 PC.
	D10	INC. 11	
011	W128500203	SCREW K50X45	3 PC.
012	W107418665	MAKITA TOP COVER	1 PC.
013	W302004029	SCREW 5X18 TX20	4 PC.
014	W302004029	SCREW 5X18 TX20	2 PC.
015	W107418666	UPPER COVER	1 PC.
016	W302004029	SCREW 5X18 TX20	2 PC.
017	W107415035	CORD STRAP FOR CABLE	1 PC.
018	W107415032	HATCH DOOR CLAMP	1 PC.
019	W107415029	LOWER COVER	1
020	W107415083	HOSE/CABLE HOOK	2 PC.
	D10	INC. 21	
021	W302004029	SCREW 5X18 TX20	2 PC.
022	W107418668	MAKITA CONTROL PANEL LABEL	1 PC.
023	W107417859	FILTER RETAINER ASSY 100-120V	1 PC.
	D10	INC. 24,26-29	
024	W107415079	SOLENOID KIT 100-120V	1 PC.
025	W302004029	SCREW 5X18 TX20	2 PC.
026	W302004029	SCREW 5X18 TX20	7 PC.
027	W302004032	SCREW 3,5X18 TX10	2 PC.
028	W5697	STRAP 3X8X33	1 PC.
029	W107415090	HATCH DOOR FILTER GASKET	1 PC.
030	W107413540	MAKITA FLAT FILTER	1 PC.
031	W107417101	FOAM SEALING 298X148	1 PC.
032	W107415075	HINGE SNAP 2PCS.	1 PC.
033	W107415060	REED SENSOR	1 PC.
034	W107415095	PCBA AUTO ON/OFF 110-120V	1 PC.
035	W107415096	DIFFUSOR	1 PC.
036	W107415052	COVER FOR MOTOR COOLING FILTER	1
037	W107415099	MOTOR 110-120V	1 PC.
038	W107418670	AIRGUIDE	1 PC.
039	W302004029	SCREW 5X18 TX20	10 PC.
040	W107417112	SOUND ABSORBER 83X55X35	1 PC.
041	W302004032	SCREW 3,5X18 TX10	2 PC.
042	W302004030	STRAP FOR CORD	1 PC.
043	W302004031	TERMINAL STRIP 6-POL 16A	1 PC.
044	W107415053	CONTAINER CLAMP	2 PC.
045	W302004332	POWER CORD US,CA	1 PC.
046	W107417113	CONTACT SPRING W.WIRE	1 PC.
047	W107415063	FLOATER WITH MAGNET	1 PC.

048	W107413542	AIR FLOW COVER KIT(ORANGE)	1
	D10	INC. 49	
049	W107418183	SCREW M6X22(10PCS.)	4
050	W107415074	BASE PLATE ASSEMBLY	1 PC.
	D10	INC. 51	
051	W107415050	CONTAINER SEALING	1 PC.
052	W107418663	MAKITA CONTAINER 42L	1 PC.
	D10	INC. 53,54	
053	W107417124	HANDLE INNER	1 PC.
054	W302004029	SCREW 5X18 TX20	2 PC.
056	W107417573	CASTOR WHEEL D100 W.BRAKE 2PCS	1 PC.
057	W107417864	SCREW K50X35 T20	1 PC.
058	W302004022	WHEEL AXLE	1 PC.
059	W107417121	WHEEL D175	2 PC.
060	W47302	CLAMPING RING FOR WHEEL	2 PC.
061	W107418043	WHEEL CAP D145	2 PC.
062	W107418349	MAKITA CLEANING SET	1 PC.
	D10	INC. 63-66	
063	W107418350	MAKITA EXTENSION TUBES	3 PC.
064	P-81789	FLOOR NOZZLE D36X300 WET/DRY	1 PC.
065	W6084	CREVICE NOZZLE 35x300	1 PC.
066	P-70346	CURVED HAND TUBE INOX	1 PC.
067	W107418351	PTFE FLAT FILTER VC4210L/M	1 PC.
068	W107418352	MOTOR COOLING FILTER PET	1 PC.
069	P-70378	TOOL ADAPTER 27 QUICKSYSTEM	1 PC.
071	W107418353	FLEECE FILTER BAGS VC4210L/M	1 PC.
072	W107418354	LONG-LIFE FILTER BAG	1 PC.
073	W107418355	DISPOSAL BAGS	1 PC.
074	W107418357	MAK PAC HOLDER	2 PC.
075	P-84084	SUCTION HOSE 32MM4M BLK AS CPL	1 PC.
	D10	INC. 81	
076	W107418356	METAL HANDLE	1 PC.
079	W107418678	TOOL ADAPTOR 22 REGULATION	1
080	W107418689	TOOL ADAPTER	1
081	W107417866	HOSE CONNECTOR CLICK SYSTEM 32	1
082	W107413555	HEPA FILTER FOR DUST CLASS H	1