

All Purpose Vacuum Cleaners - 3 601 JC3 410 - VAC140...

www.powertools-aftersaleservice.com



BOSCH

Item	Part Number	Description	Illustration	Price	Quantity	Price Group
15	2 609 200 487	Housing		6	-,-	1 33
24	2 609 200 425	Locking Piece		3	-,-	2 21
28	2 609 200 423	Clamping Piece		3	-,-	1 20
29	2 609 200 390	Support		4	-,-	1 24
37	2 609 200 427	Sensor		3	-,-	2 15
47	2 609 200 483	Spring		4	-,-	1 22
53	2 609 200 464	Support		2	-,-	1 27
54	2 609 200 465	Support		2	-,-	1 23
57	2 609 200 466	Strap-Shaped Handle		2	-,-	1 41
72	2 609 200 420	Seal		3	-,-	1 23
80	2 610 033 209	Motor Housing		3	-,-	1 -
85	2 609 200 436	Hose Holder		1	-,-	2 34
99	2 609 200 424	Cord		3	-,-	1 21
100	2 609 200 392	O-Ring		4	-,-	1 11
101	2 609 200 482	O-Ring		4	-,-	1 10
113	2 609 200 406	Plug		1	-,-	6 10
125	2 609 200 479	Switch		4	-,-	1 14
154	2 610 033 210	Power supply cord		3	-,-	1 -
162	2 610 035 068	Cable		3	-,-	2 -
190	2 607 432 025	Filter		3	-,-	1 36
199	2 609 200 422	Screw		1	-,-	4 10
201	2 609 200 410	Screw		1	-,-	15 10
204	2 609 200 470	Screw		2	-,-	1 10
206	2 609 200 414	Positioning Element		1	-,-	5 10
208	2 609 200 481	Fastening Part		4	-,-	2 11
215	2 609 200 397	Lens Head Screw		3	-,-	5 10
239	2 609 200 469	Screw		2	-,-	1 11
250	2 609 200 454	Clamping Ring		6	-,-	1 12
251	2 609 200 497	Suction Pipe		6	-,-	1 26
259	2 609 200 462	Nozzle		6	-,-	1 22
260	2 609 200 496	Socket		6	-,-	1 36
307	2 610 033 191	Warning Label		1	-,-	1 -
308	2 609 200 438	Screw		1	-,-	2 10

Item	Part Number	Description	Illustration	Price	Quantity	Price Group
313	2 610 033 192	Cable	1	-,-	1	-
320	2 609 200 456	Bolt	2	-,-	1	13
322	2 609 200 461	Fastening Part	4	-,-	2	10
414	2 610 033 194	Label	1	-,-	1	-
419	2 610 034 325	Warning Label	4	-,-	1	-
420	2 610 027 619	Label	4	-,-	2	-
422	2 610 033 207	Warning Label	1	-,-	1	-
8021	2 609 200 388	Switch	1	-,-	1	37
8022	2 610 034 324	Contact	3	-,-	1	-
8025	2 609 200 473	Support	2	-,-	1	24
8031	2 609 200 493	Housing	3	-,-	1	48
8032	2 610 034 326	Housing Cover	4	-,-	1	-
8033	2 609 200 391	Cover	4	-,-	1	39
8034	2 610 033 196	Housing	1	-,-	1	-
8035	2 610 033 231	Dust Chamber	2	-,-	1	-
8036	2 609 200 458	Axle	2	-,-	1	27
8039	2 609 200 444	Handle	1	-,-	1	28
8048	2 609 200 468	Fastening parts kit	2	-,-	1	24
8049	2 610 027 615	Nameplate	1	-,-	1	-
8058	2 609 200 419	Caster Wheel	2	-,-	1	38
8068	2 609 200 431	Seal Kit	3	-,-	1	32
8075	2 609 200 480	Valve Plate	4	-,-	1	45
8081	2 609 200 472	Support	2	-,-	1	26
8090	2 609 200 413	Sound Insulation Mat	3	-,-	1	30
8092	2 610 033 195	Sound Insulation Mat	1	-,-	1	-
8093	2 610 033 208	Sound Insulation Mat	1	-,-	1	-
8103	2 610 033 229	Wheel	2	-,-	1	-
8106	2 609 200 471	Caster Wheel	2	-,-	1	37
8107	2 610 033 213	Motor	3	-,-	1	-
8110	2 609 200 435	Holder	1	-,-	1	27
8111	2 609 200 407	Holder	4	-,-	1	26
8113	2 609 200 405	Fastening parts kit	4	-,-	1	26
8115	2 609 200 393	Filter Cover	4	-,-	1	30
8161	2 610 033 212	Cable	3	-,-	1	-
8175	2 610 033 214	Printed Circuit Board	3	-,-	1	-
8211	2 609 200 418	Fastening parts kit	2	-,-	1	27
8257	2 608 000 A09	Hose	6	-,-	1	51
8301	2 610 033 198	Control Panel	1	-,-	1	-
8303	2 610 033 197	Socket	1	-,-	1	-
8310	2 609 200 395	Drainage Fitting	2	-,-	1	35
8321	2 609 200 428	Spring Housing	3	-,-	1	28

Product information All Purpose Vacuum Cleane - 3 601 JC3 410 - VAC140S

Product No	3 601 JC3 410
Description	251.232; All Purpose Vacuum Cleane
DIN-Text	
ID_Text_Ext	0
Trading_Description	VAC140S
Voltage_1	120 V
ID_Country_Product	USA

Illustration - Type E

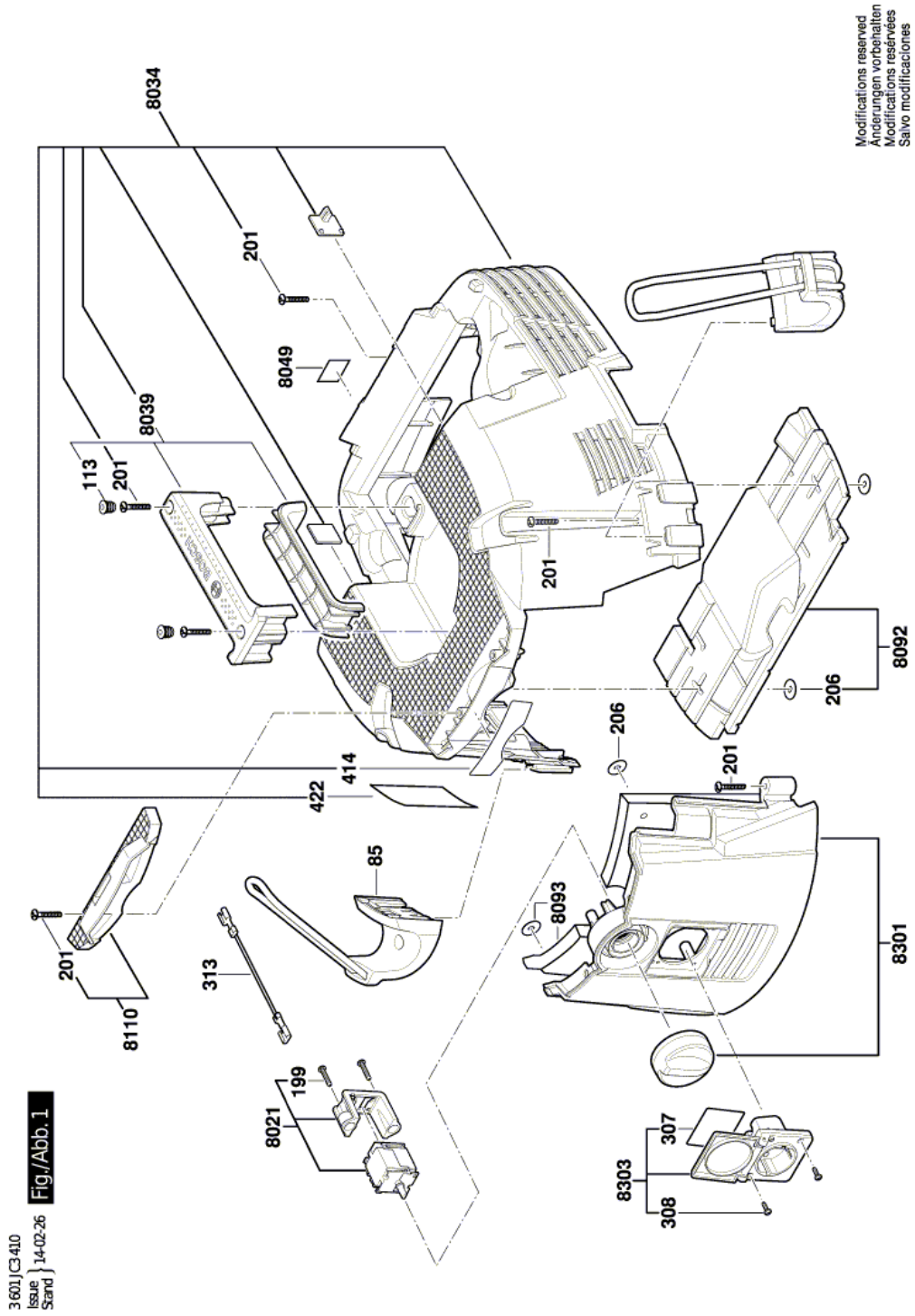


Illustration - Type E

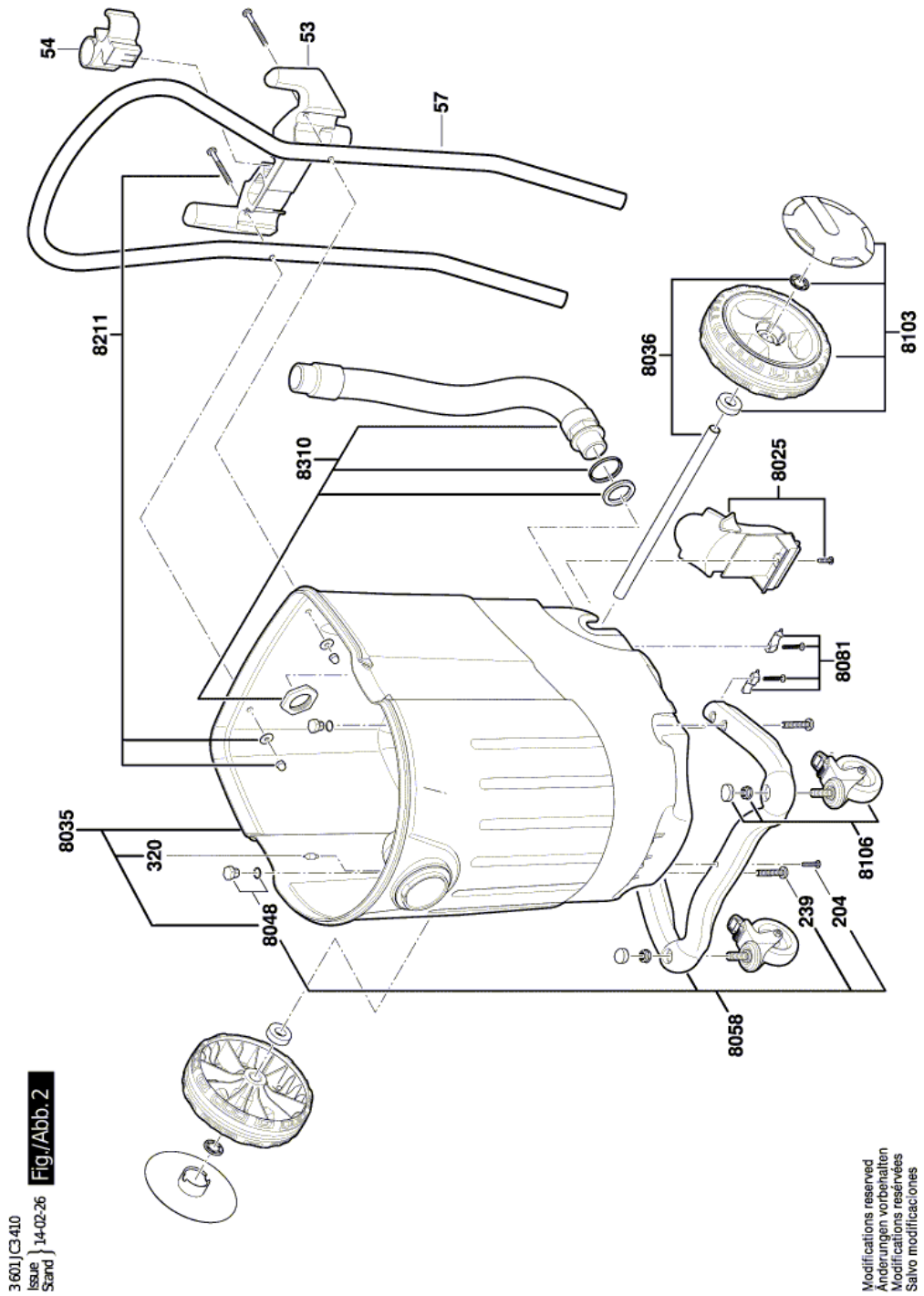
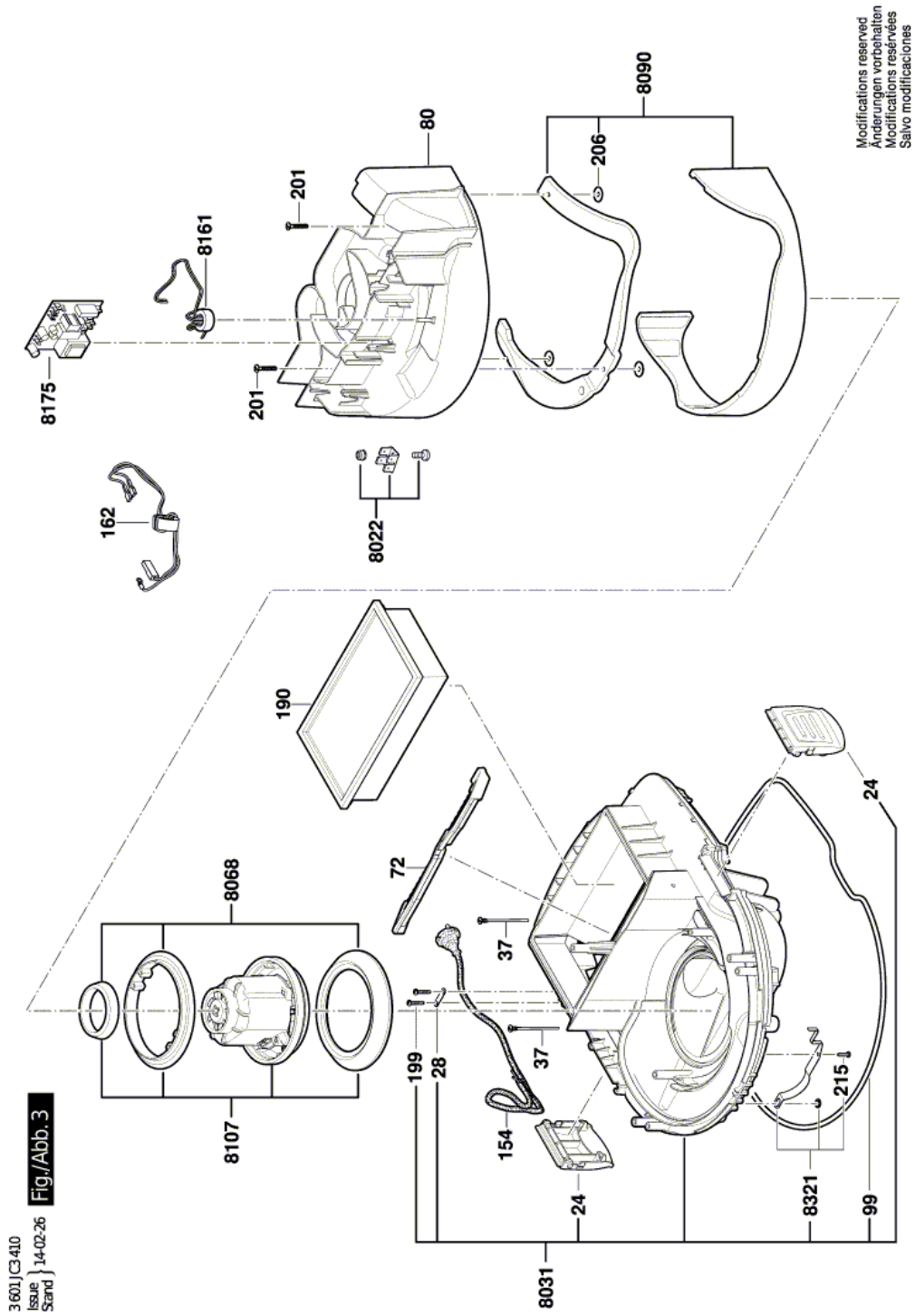


Illustration - Type E



Modifications reserved
Änderungen vorbehalten
Modificaciones reservadas
Salvo modificaciones

Illustration - Type E

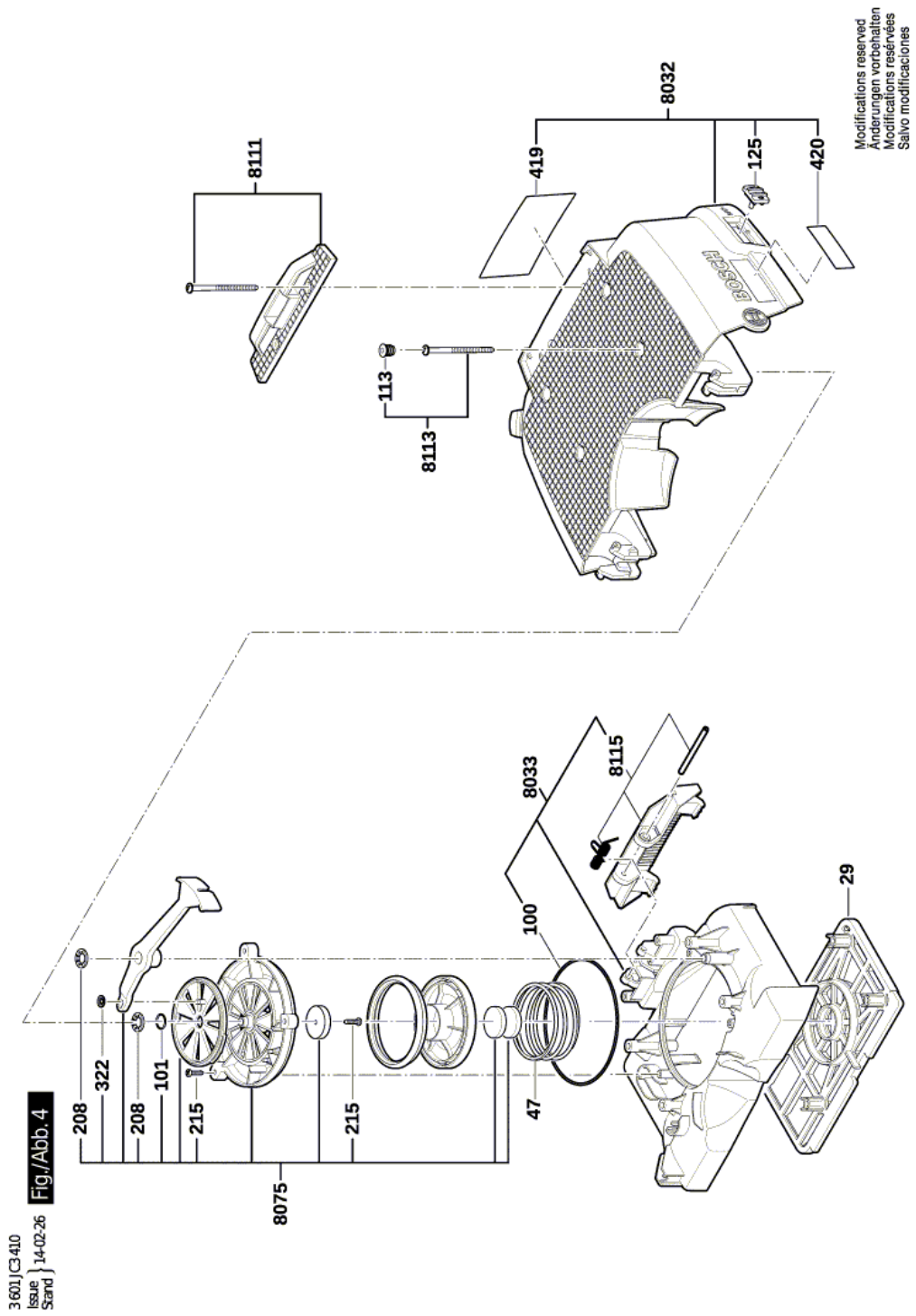


Illustration - Type E

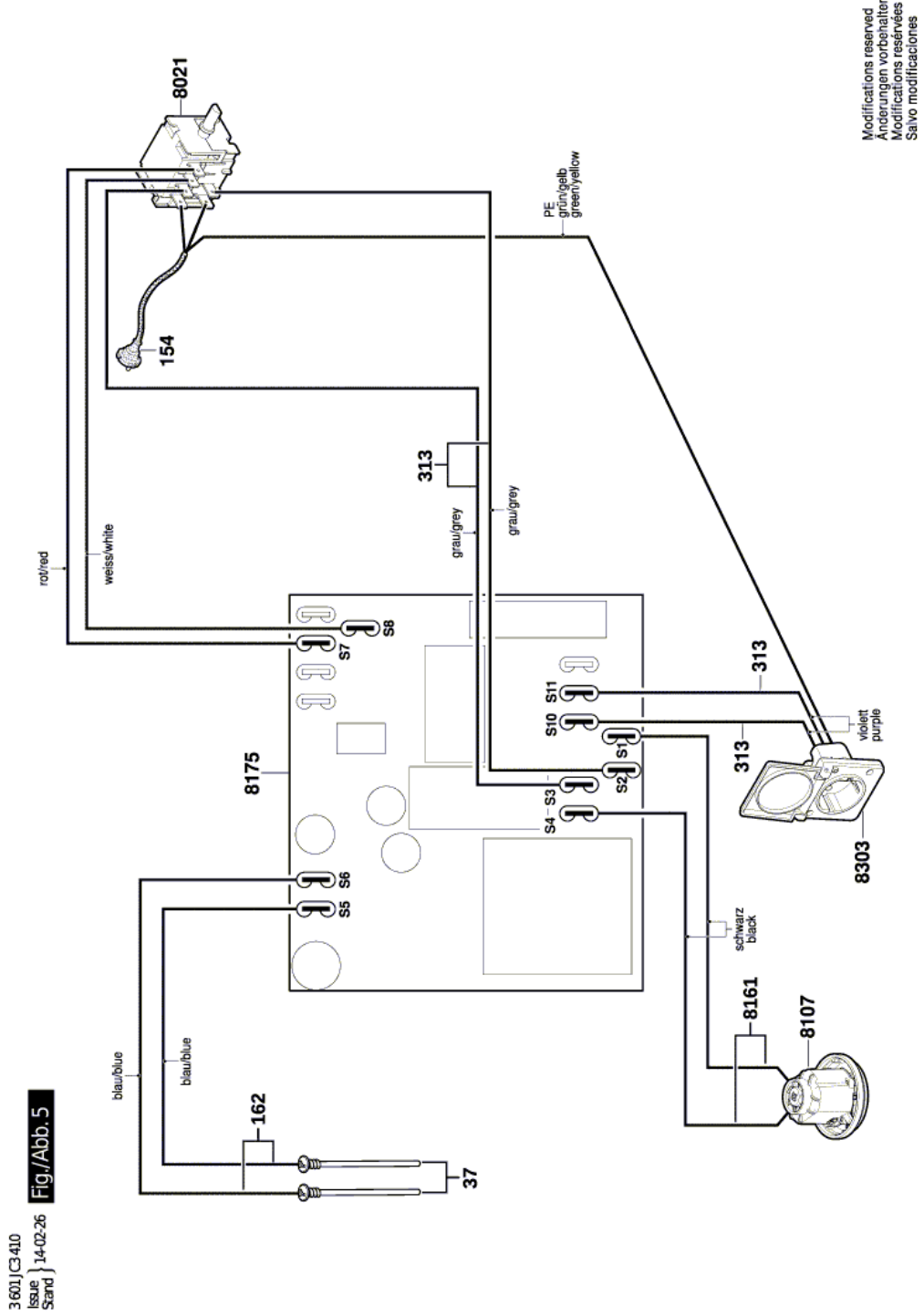
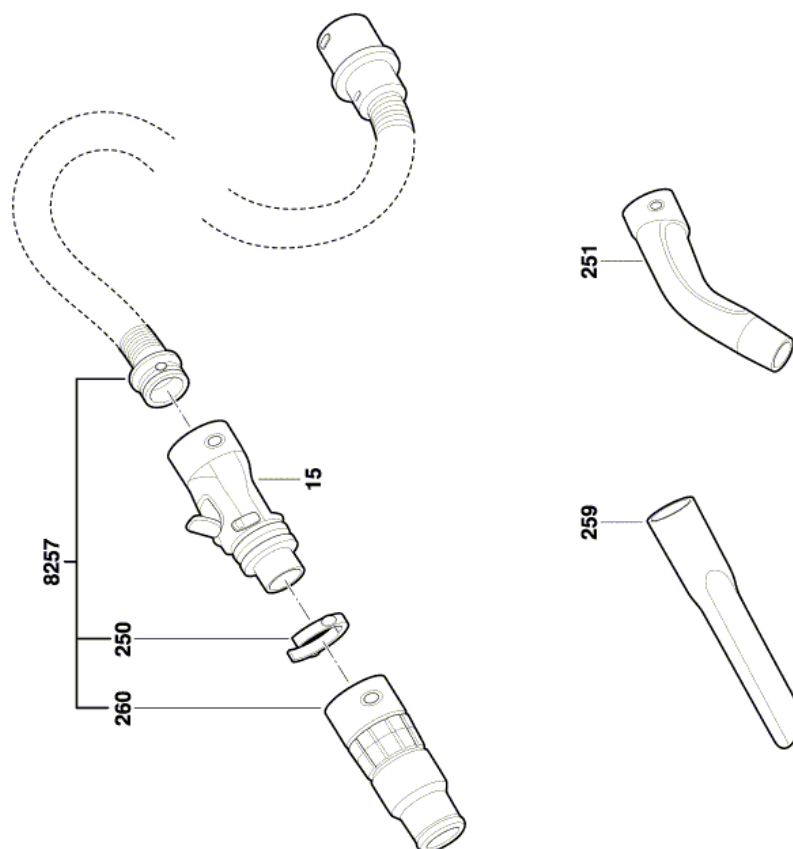


Illustration - Type E

3 601J/C3 410
Issue } 14-02-26
Stand }

Fig./Abb. 6



Modifications reserved
Änderungen vorbehalten
Modificaciones reservées
Salvo modificaciones

Information subject to change without further notice.