

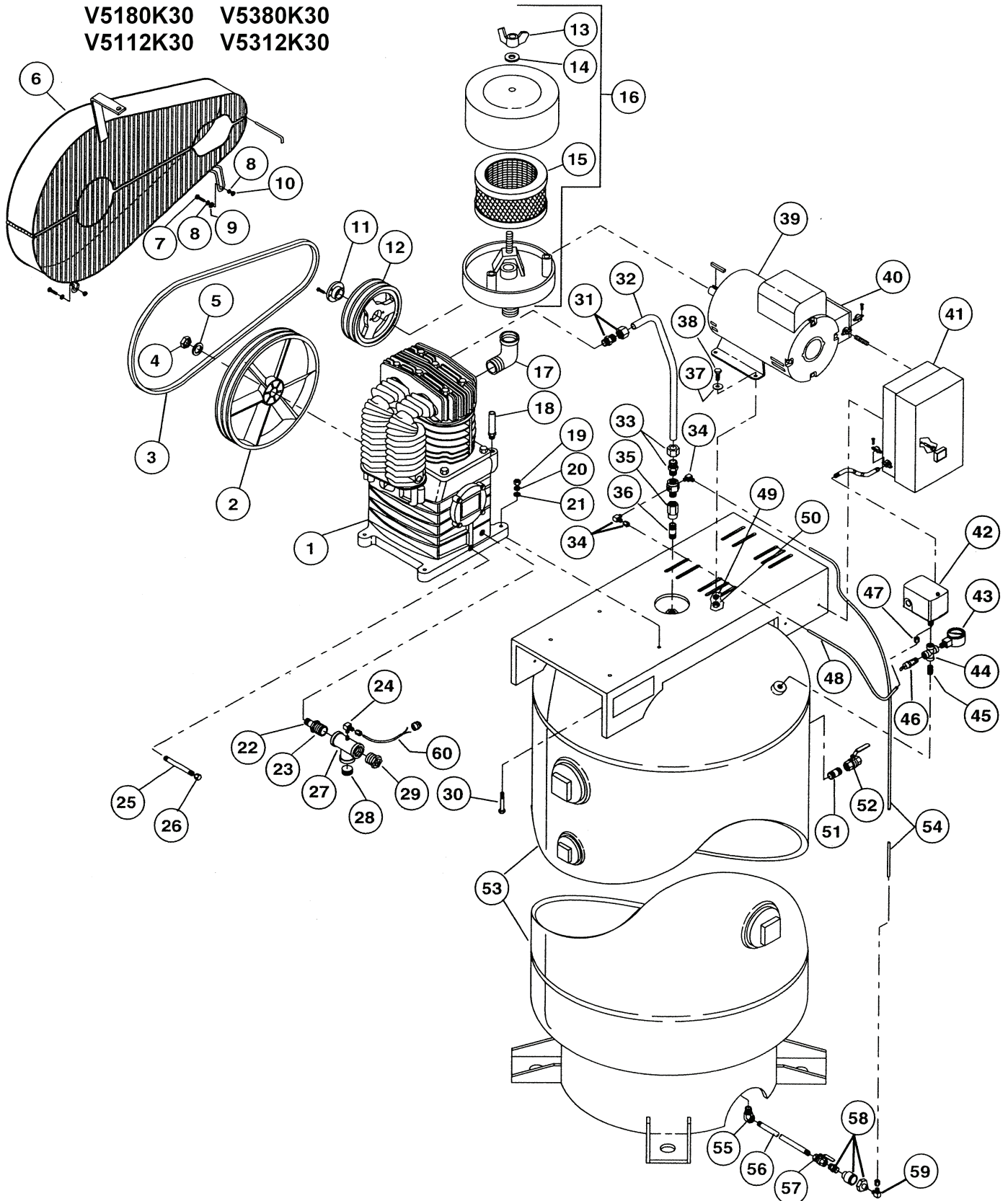
# ROLAIR

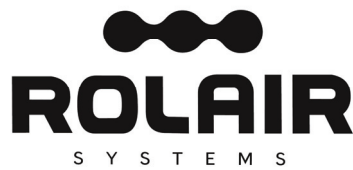
SCHEMATIC FOR MODELS

V5160K30 V5360K30

V5180K30 V5380K30

V5112K30 V5312K30





**PARTS LIST FOR MODELS**  
**V5160K30, V5360K30**  
**V5180K30, V5380K30**  
**V5112K30, V5312K30**

Schem. #	Description	Part #	Qty.	Schem. #	Description	Part #	Qty.	
1	II Stage Pump with Flywheel	PMP22K30CH	1	34	Brass Elbow	BREL0250X012539	1	
	II Stage Pump Less Flywheel	PMP22K30CHLF	1	35	Check Valve (Standard Production)	CV4X4L1	1	
2	Flywheel	31003040CH	1		Check Valve (As Shown w/Automatic Tank Drain)	CV4X4L2	1	
3	Belt	BTA66	2	36	Nipple	BLNP0500X1500	1	
4	Nut	37403780CH	1	37	Washer	MIS10103	4	
5	Washer	37502450CH	1	38	Bolt	MIS10022	4	
6	Belt Guard	BG128	1	39	5 HP Motor – 1 Phase "V51 Series"	MTRG104	1	
7	Bolt	MIS10005	2		5 HP Motor - 3 Phase "V53 Series"	MTRG303	1	
8	Washer	MIS10102	2					
9	Washer	MIS10103	2					
10	Nut	MIS10001	2	40	Box Connector	161	2	
11	Bushing	H1X1.125	1	41	Magnetic Starter, 1 Phase	MAG51F230V	1	
12	Pulley	PU2BK80H	1		Magnetic Starter, 3 Phase	MAG53F230V	1	
13	Wing Nut	FSNUT	1	42	Pressure Switch	PS2020M	1	
14	Washer	FSWASHER	1	43	Gauge	GA0250300	1	
15	Filter Element	431	1	44	Cross	BLCR0250	1	
16	Silencer/Filter Assembly	FS14075	1	45	Nipple	BLNP0250X1500	1	
17	Elbow	BLEL0750X90S	1	46	Safety Relief Valve	SRV0250A200	1	
18	3/8" Breather/Oil Fill Plug	36507050CH	1	47	Pressure Switch Relief Valve	PS2020RV	1	
19	Nut	MIS10040	4	48	1/4" Nylon Tubing – 18"	178D	1.5'	
20	Lock Washer	MIS10100	4		Brass Nut	BRNT0250	2	
21	Washer	MIS10103	4		Brass Ring	BRRG0250	2	
22	Nipple	BLNP0500X2500	1		Brass Sleeve	BRSL0250	2	
23	Bushing	BLBS1000X0500	1	49	Lock Washer	MIS10099	4	
24	Brass Elbow	BREL0250X025039	1	50	Nut	MIS10020	4	
25	Nipple	BLNP0250X4000	1	51	Nipple	BLNP0500X2500	1	
26	Cap	BLCA0250	1	52	Shut-Off Valve	SOV0500B	1	
27	Tee	BLTE1000	1	53	Tank Assy. (60 Gallon)	TNK060AV	1	
28	Plug	BLC SPL1000	1		Tank Assy. (80 Gallon)	TNK080AV	1	
29	Sight Gauge (Standard Prod.)	36500140CH	1		Tank Assy. (120 Gal.)	TNK120AV	1	
	Gasket (Standard Prod.)	30500130CH	1	54	1/4" Copper Tubing	MIS11100	(Specify Length)	
	Sight Gauge (As shown on unit w/Low Oil Control)	TF050101AV	1	55	Elbow	BLEL0250X90S	1	
30	Bolt	MIS10043	4	56	Nipple	BLNP0250X4000	2	
31	Brass Straight	BRST0750X075038	1	57	Shut-Off Valve	SOV0250B	1	
32	3/4" Copper Tubing – 18"	MIS11102A	1.5'	58	Automatic Tank Drain	3800H	1	
				59	Brass Elbow	BREL0250X012539	1	
33	Brass Straight	BRST0750X050038	1	60	Low Oil Control	162745	1	

