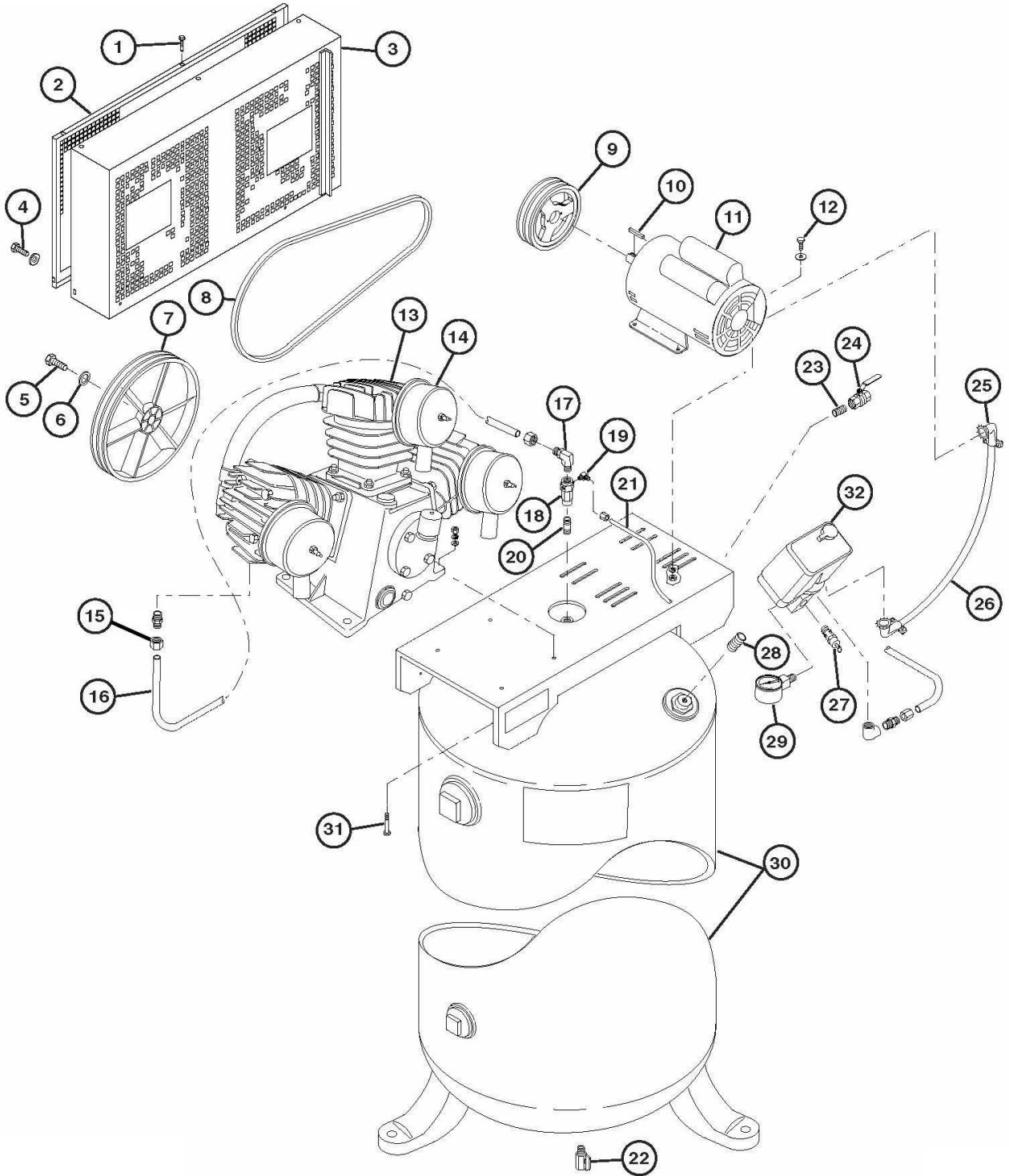
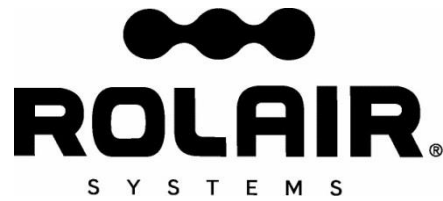


**ROLAIR**  
SCHEMATIC FOR  
V5160PT03XB





## PARTS LIST FOR MODEL V5160PT03XB

Schematic #	Description	Part #	Qty.
1	Screw	MIS10092	4
2	Belt-Guard Cover	NLA	1
3	Belt-Guard (Base & Cover)	BG566ASY	1
4	Bolt (5/16" x 7/8")	MIS10022	2
	Lock Washer (5/16")	MIS10099	2
	Flat Washer (5/16" x 1-3/8")	MIS10108	2
5	Bolt	LB81501-0308030	1
6	Washer	LB51111-6621	1
7	Flywheel	LB51132-6601	1
8	Belt	BT4L490/A47	1
9	Pulley	PUAK41X0875	1
10	Keystock	MIS10095C	1
11	Motor	MTRG102	1
12	Bolt (5/16" x 7/8")	MIS10022	4
	Lock Washer (5/16")	MIS10099	4
	Flat Washer (1/4")	MIS10102	4
	Nut (5/16")	MIS10020	4
13	Single-Stage, Three-Cylinder Pump	PMP13PT03AC	1
14	Air Intake Filter Assembly	LB51111-5600	3
	Element (Foam 3-Pack)	LBFILTERPAK	1
	Element (Paper 3-Pack)	LBFILTERPAK PAPER	1
15	Flare Nut	BRNT0500FL	1
16	1/2" Copper Discharge Tube	CTUBE12	2'
	Compression Ring	BRRG0500	1
	Compression Nut	BRNT0500	1
	Flare Nut	BRNT0500FL	1
17	Brass Elbow	BREL0500X050039	1
18	Check Valve	CV4X4L1	1
19	Brass Elbow	BREL0250X012539	1
20	Nipple	BLNP0500X1500	1
21	1/4" Copper Tubing	CTUBE14	.85'
	1/4" Compression Nut	BRNT0250	2
	1/4" Compression Ring	BRRG0250	2
22	Drain Valve	132BV	1
23	Nipple	BLNP0500X1500	1
24	Shut-Off Valve	SOV0500B	1
25	90° Box Connector	161A	2
26	12-3 Electric Cord	MIS10730	2.2'
27	Safety Relief Valve	SRV0250A150	1
28	Nipple	BLNP0250X1500	1
29	Gauge	GA0250X200GC	1
30	Tank – 60 Gallon Vertical ASME	TNK060AV150	1
31	Bolt (5/16" x 1-1/4")	MIS10023	4
	Lock Washer (5/16")	MIS10099	4
	Flat Washer (1/4")	MIS10102	4
32	Pressure Switch	PS4040	1