



**BOSCH**

# High Pressure Cleaner

UniversalAquatak 125 | 3 600 HA7 A80

---

## Table of Content

Spare parts list.....	2
Illustration - Type.....	4

**Spare parts list**

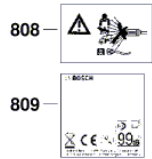
Item	Part Number	Description	III
808	F 016 F05 582	Nameplate	
809	F 016 F05 583	Warning Label	
810	F 016 F04 810	Torx SH cap screw	
811	F 016 F05 258	front cover	
812	F 016 F05 003	front cover	
813	F 016 F05 004	front cover	
814	F 016 F05 005	front cover	
815	F 016 F05 006	front cover	
816	F 016 F04 452	front cover	
817	F 016 F05 007	Clip	
820	F 016 F05 262	Cover	
837	F 016 F05 018	Foam Panel	
838	F 016 F05 019	Foam Panel	
861	F 016 F04 439	Switch Box	
862	F 016 F05 581	Power supply cord	
863	F 016 F04 613	Switch Actuator	
864	F 016 F05 432	Clip	
801	F 016 F05 016	Motor	
842	F 016 F05 637	O-Ring Ø 63 x 2,65 mm	
843	F 016 F05 402	O-Ring	
850	F 016 F04 459	O-Ring	
851	F 016 F05 012	Pump head	
852	F 016 F04 441	Piston Guide	
853	F 016 F05 011	Pump unit	
854	F 016 F04 803	Thrust Bearing	
855	F 016 F05 010	Gear Box	
856	F 016 F04 460	Non-Return Valve	
857	F 016 F04 681	Clip	
860	F 016 F05 008	Motor cover	
888	F 016 F05 661	Water filter	
870	F 016 F04 458	Seal Kit (7.x1.6)	2 x (5.3 x 1.6), 2 x (8x2), 2 x
871	F 016 F05 280	Trigger	
872	F 016 F05 135	Lance	
874	F 016 F05 579	Wide Angle Nozzle	RED

**Spare parts list**

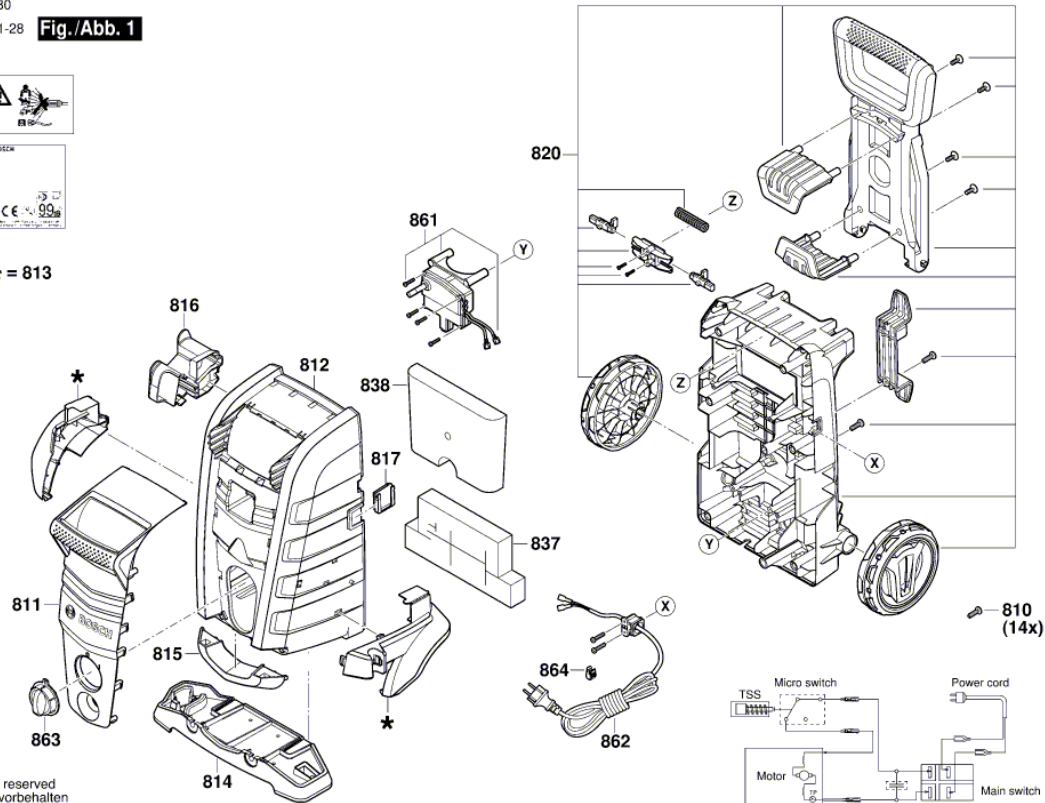
Item	Part Number	Description		III
875	F 016 F05 362	Nozzle	WHITE	
879	F 016 F05 036	Bottle	450ml	
880	F 016 F05 020	High pressure foam nozzle	RED	
881	F 016 F04 795	Retaining clip		
883	F 016 F05 013	High-Pressure Hose	5 m	
884	F 016 F05 492	Hose Coupling		

Illustration - Type - E

3 600 HA7 A80  
 Stand Issue } 19-11-28 **Fig./Abb. 1**



\* = 813

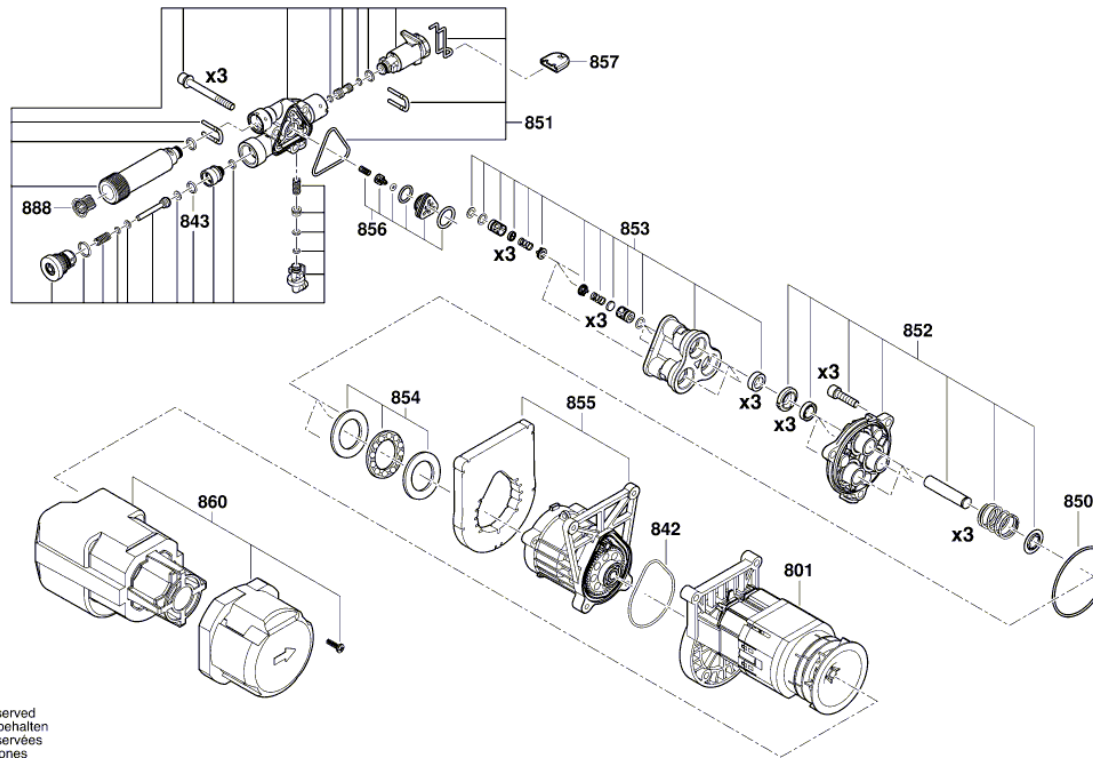


Modifications reserved  
 Änderungen vorbehalten  
 Modifications réservées  
 Salvo modificaciones

Illustration - Type - E

3 600 HA7 A80  
 Stand | 20-10-21  
 Issue | 21-10-21

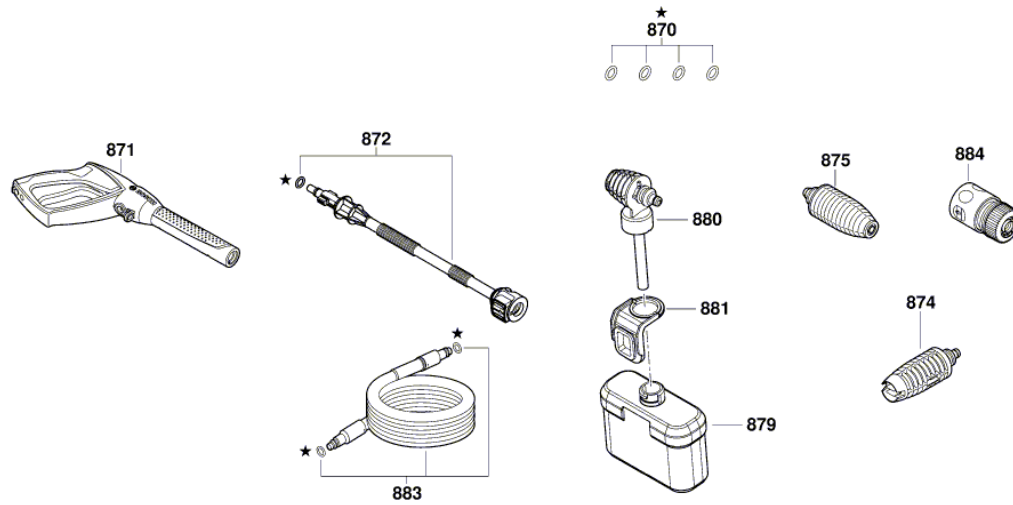
Fig. /Abb. 2



Modifications reserved  
 Änderungen vorbehalten  
 Modifications réservées  
 Salvo modificaciones

Illustration - Type - E

3 600 HA7 A80  
Stand | 19-11  
Issue | 23-07-03 **Fig. /Abb. 3**



Modifications reserved  
Änderungen vorbehalten  
Modifications réservées  
Salvo modificaciones