



BOSCH

High Pressure Cleaner

UniversalAquatak 1900 | 3 600 HA7 210

Table of Content

Spare parts list.....	2
Illustration - Type.....	3

High Pressure Cleaner | UniversalAquatak 1900 | 3 600 HA7 210

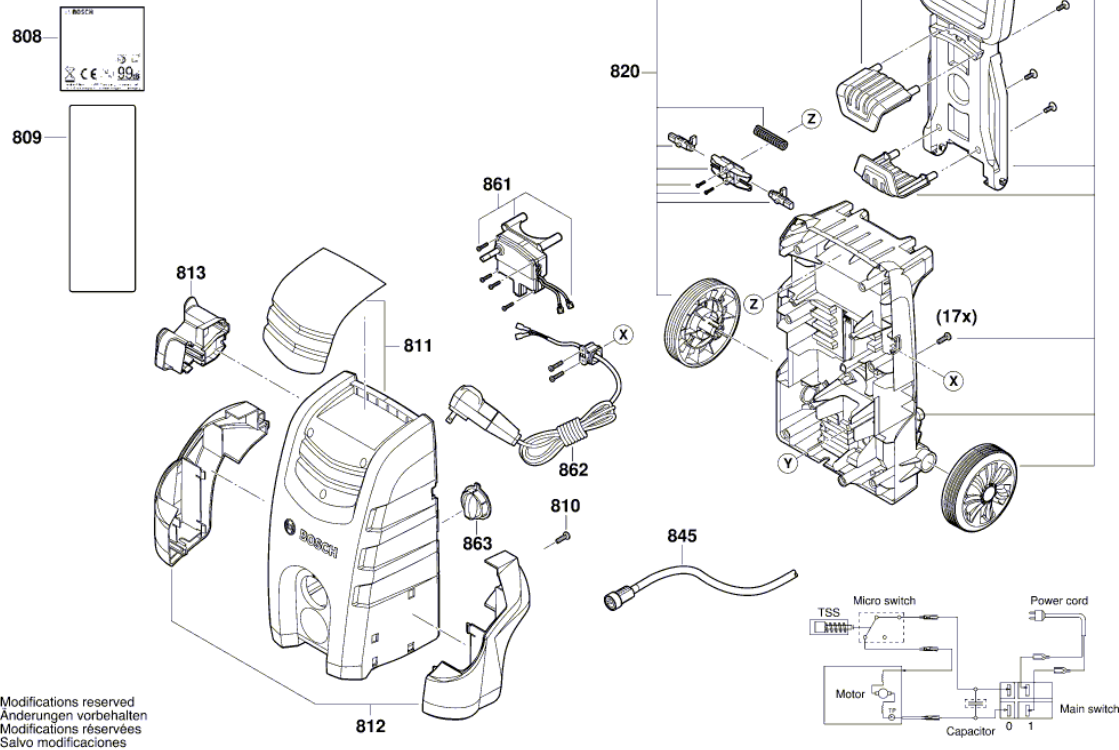
Spare parts list

Item	Part Number	Description	Illustration
808	F 016 F04 976	Nameplate	1
809	F 016 F04 998	Warning Label	1
810	F 016 F04 810	Torx SH cap screw	1
811	F 016 F04 973	front cover	1
812	F 016 F04 451	front cover	1
813	F 016 F04 452	front cover	1
820	F 016 F04 974	Cover	1
845	F 016 F04 438	Hose	1
861	F 016 F04 972	Switch Box	1
862	F 016 F04 971	Power supply cord USA	1
863	F 016 F04 999	Switch Actuator	1
801	F 016 F04 975	Motor	2
842	F 016 F05 637	O-Ring Ø 63 x 2,65 mm	2
843	F 016 F05 402	O-Ring	2
850	F 016 F04 459	O-Ring	2
851	F 016 F04 444	Pump head	2
852	F 016 F04 441	Piston Guide	2
853	F 016 F04 440	Pump unit	2
854	F 016 F05 023	Thrust Bearing	2
855	F 016 F04 447	Gear Box	2
856	F 016 F04 460	Non-Return Valve	2
857	F 016 F04 681	Clip	2
860	F 016 F05 000	Motor cover	2
888	F 016 F05 661	Water filter	2
870	F 016 F04 458	Seal Kit 2 x (5.3 x 1.6), 2 x (8x2), 2 x (7.x1.6)	3
871	F 016 F05 280	Trigger	3
872	F 016 F05 135	Lance	3
876	F 016 F05 053	3-in-1-nozzle	3
882	F 016 F05 052	Water filter	3
883	F 016 F04 977	High-Pressure Hose 8 m	3
884	F 016 F05 429	Hose Coupling	3

Illustration - Type - E

3 600 HA7 210
 Stand } 17-06
 Issue } 18-03-14

Fig./Abb. 1

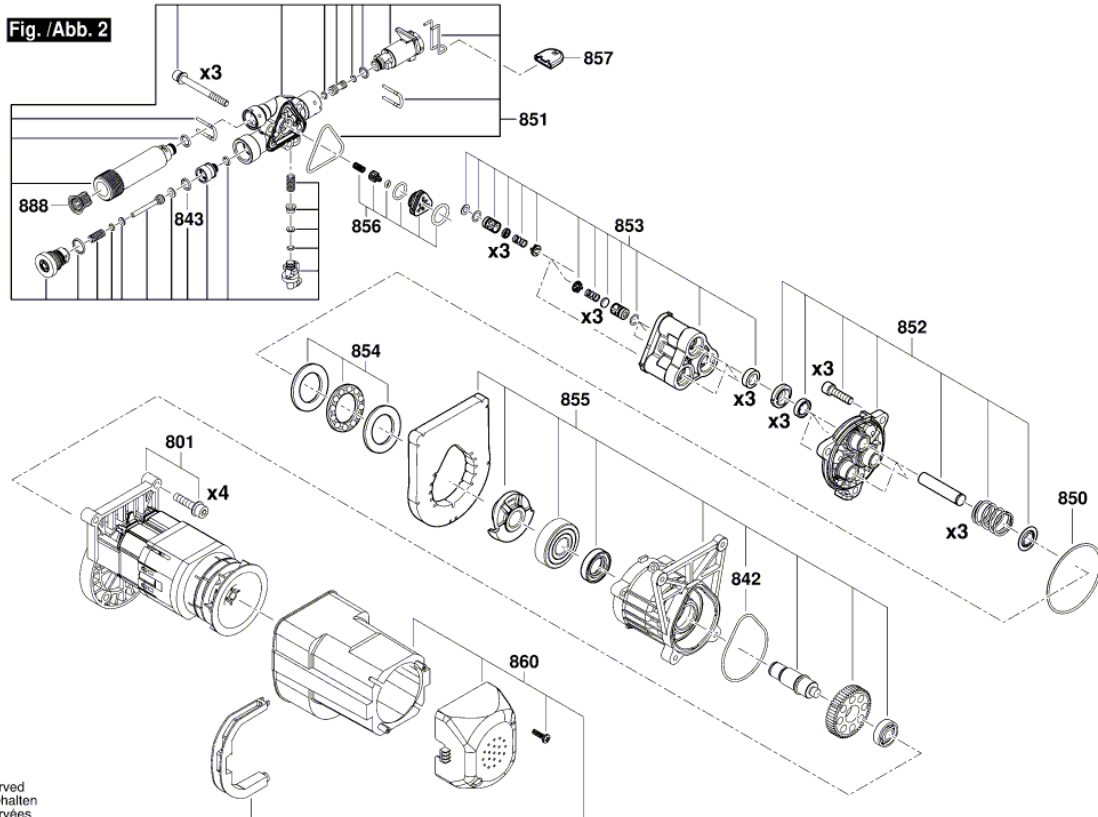


Modifications reserved
 Änderungen vorbehalten
 Modifications réservées
 Salvo modificaciones

Illustration - Type - E

3 600 HA7 210
 Stand | 20-10
 Issue | 21-10-21

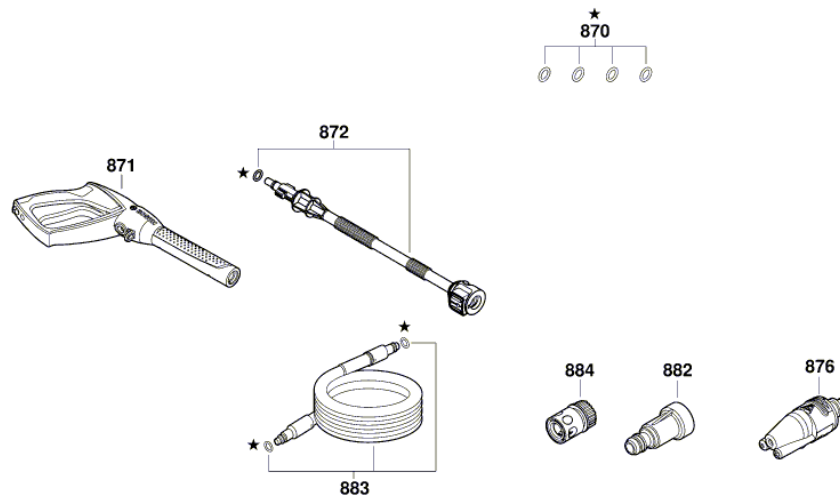
Fig. /Abb. 2



Modifications reserved
 Änderungen vorbehalten
 Modifications réservées
 Salvo modificaciones

Illustration - Type - E

3 600 HA7 210
Stand | 17-06
Issue | 23-07-03 **Fig. /Abb. 3**



Modifications reserved
Änderungen vorbehalten
Modifications réservées
Salvo modificaciones