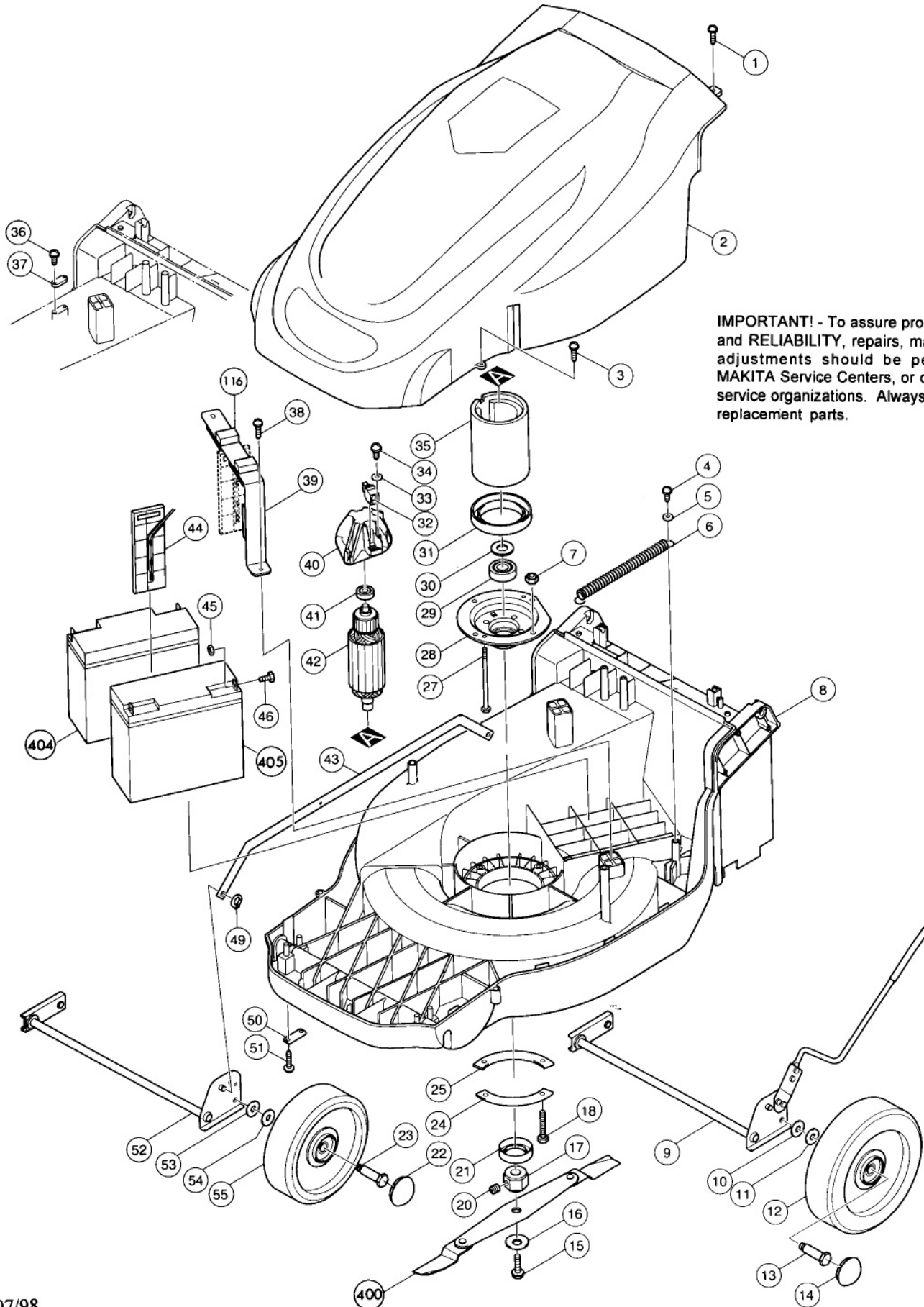




16" (406 mm) Cordless Lawn Mower Model UM401DW



IMPORTANT! - To assure product **SAFETY** and **RELIABILITY**, repairs, maintenance or adjustments should be performed by **MAKITA** Service Centers, or other qualified service organizations. Always use **MAKITA** replacement parts.

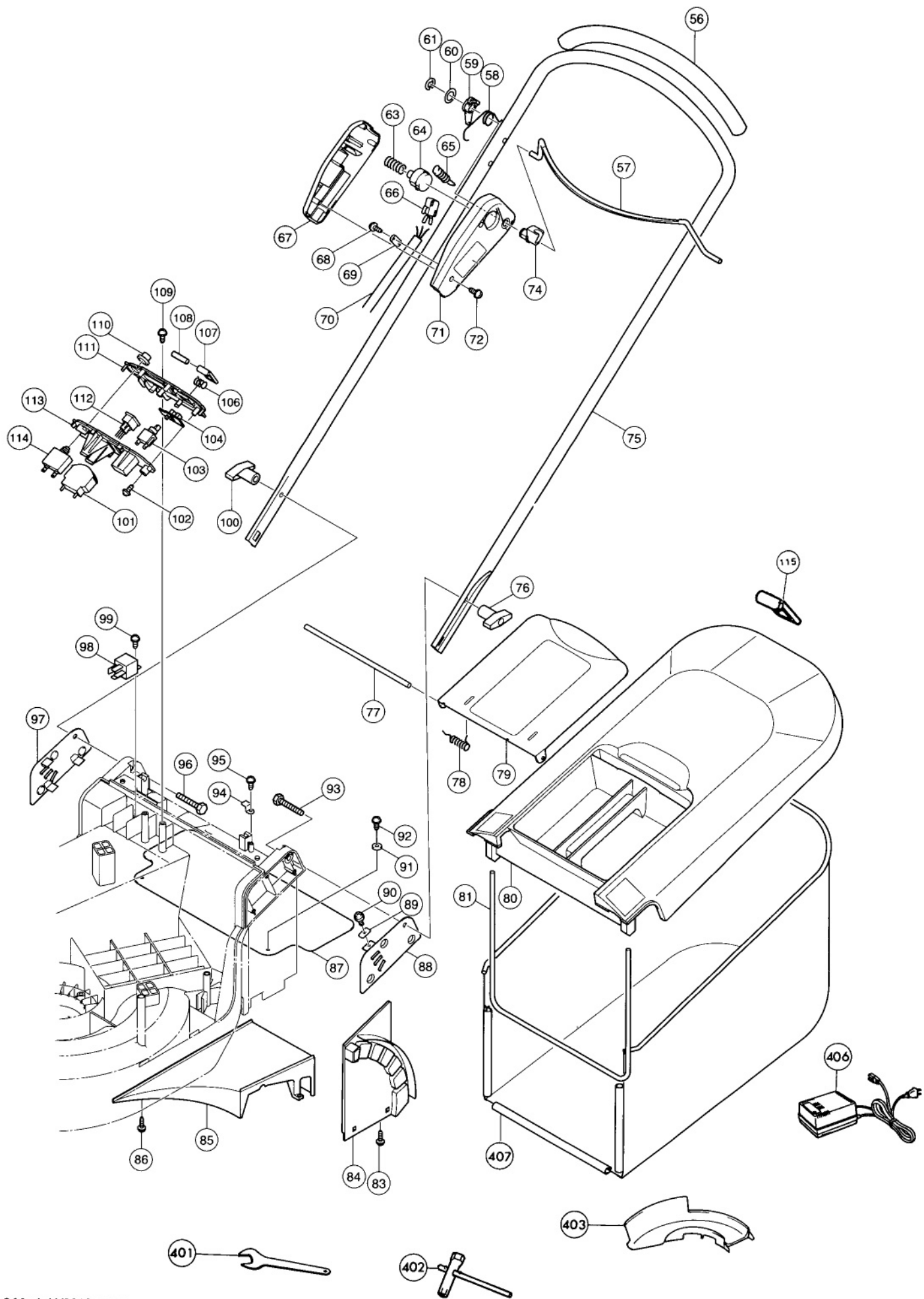


Fig.	Part No.	Qty. Used	Description	Fig.	Part No.	Qty. Used	Description
1	265995-6	2	TAPPING SCREW 4X18	65	231812-2	1	TENSION SPRING 5
2	150695-0	1	COMING	66	651948-5	1	SWITCH
3	265999-8	2	TAPPINGSCREWFLANGEM4X25	67	*	1	SWITCH BOX COVER
4	265995-6	1	TAPPING SCREW 4X18	68	265995-6	2	TAPPING SCREW 4X18
5	267071-2	1	F. WASHER 4	69	687053-2	1	STRAIN RELIEF
6	231811-4	1	TENSION SPRING 12	70	664440-2	1	CORD UNIT
7	252014-7	4	HEX LOCK NUT M6-10	71	*	1	SWITCH BOX
8	416208-0	1	DECK	72	265995-6	4	TAPPING SCREW 4X18
9	163384-8	1	REAR SHAFT	74	416199-5	1	SWITCH LEVER ARM
10	267052-6	2	F. WASHER 10	75	165210-7	1	HANDLE
11	267052-6	2	F. WASHER 10	76	252641-0	1	WING NUT M8
12	162192-4	2	8" WHEEL	77	322925-1	1	REAR GUARD SHAFT
13	265450-8	2	BOLT 3/8-16UNC	78	231627-7	2	TORSION SPRING 8
14	416258-5	2	WHEEL CAP	79	150698-4	1	REAR GUARD CPL.
15	251690-4	1	H.F.H. BOLT M8X30	80	150697-6	1	REAR BAG COVER CPL.
16	232176-7	1	CONED DISC SPRING 14	81	322926-9	1	REAR BAG ROD
17	331517-5	1	BLADE HOLDER	83	265995-6	2	TAPPING SCREW 4X18
18	921362-2	4	HEX BOLT M6X40	84	150696-8	1	HEIGHT ADJUSTER CPL.
20	266162-6	1	H.S.H. SCREW M8X8	85	416205-6	1	UNDER COVER
21	344550-8	1	DUST COVER	86	265995-6	3	TAPPING SCREW 4X18
22	416258-5	2	WHEEL CAP	87	423299-4	1	UNDER GUARD
23	265450-8	2	BOLT 3/8-16UNC	88	165209-2	1	HANDLE HOLDER L
24	344561-3	1	FIX PLATE	89	344557-4	6	HOLDER PLATE
25	344561-3	1	FIX PLATE	90	911116-5	6	P.H. SCREW M4X12
27	265448-5	2	HEX BOLT M5X115	91	267071-2	3	F. WASHER 4
28	344460-9	1	BEARING BOX	92	265995-6	3	TAPPING SCREW 4X18
29	211256-2	1	B. BEARING 6203LLB	93	921472-5	1	HEX. BOLT M8X50
30	267038-0	1	F. WASHER 17	94	344454-4	2	SHAFT HOLDER
31	416259-3	1	PLATE	95	265995-6	2	TAPPING SCREW 4X18
32	191965-8	1	CARBON BRUSH CB-423	96	921472-5	1	HEX. BOLT M8X50
33	253874-0	2	F. WASHER 4	97	165208-4	1	HANDLE HOLDER R
34	266020-6	2	TAPPINGSCREWFLANGEPT4X12	98	652731-3	1	RELAY
35	632781-4	1	YOKE UNIT	99	265995-6	1	TAPPING SCREW 4X18
36	265995-6	2	TAPPING SCREW 4X18	100	252641-0	1	WING NUT M8
37	687053-2	1	STRAIN RELIEF	101	679503-1	1	INDICATOR
38	266041-8	2	TAPPINGSCREWFLANGEPT5X25	102	266020-6	2	TAPPINGSCREWFLANGEPT4X12
39	150680-3	1	BATTERY HOLDER CPL.	103	651420-7	1	SWITCH
40	416202-2	1	END BELL	104	416196-1	1	SWITCH PLATE
41	211061-7	1	B. BEARING 6000LLB	106	231602-3	1	TORSION SPRING 4
42	125069-4	1	MOTOR ASSY.(W/ARMATURE 619040-3, INCL. FIGS. 27-35,40,41)	107	416217-9	1	INLET COVER
43	344462-5	1	CONNECTING ROD	108	951075-1	1	SPRING PIN 3-28
44	632784-8	1	THERMAL CUT OFF CPL.	109	266041-8	2	TAPPINGSCREWFLANGEPT5X25
45	652111-3	4	HEX NUT M5	110	416279-7	1	CAP
46	652035-3	4	HEX BOLT M5X12	111	182905-7	1	CONTROL PANEL SET (INCL.FIG.113)
49	961004-6	2	RETAINING RING S-8	112	655412-8	1	INLET
50	341462-6	4	PLATE	113	182905-7	1	CONTROL PANEL SET (INCL.FIG.111)
51	265995-6	8	TAPPING SCREW 4X18	114	652730-5	1	CURRENT RELAY
52	163385-6	1	FRONT SHAFT	115	416197-9	1	KEY
53	267052-6	2	F. WASHER 10	116	421585-7	1	SPONGE SHEET
54	267052-6	2	F. WASHER 10	ACCESSORIES			
55	162191-6	2	7" WHEEL	400	729015-5	1	SWING ARM BLADE 406
56	421580-7	1	HANDLE CUSHION	401	781028-4	1	WRENCH 32
57	331499-1	1	SWITCH LEVER	402	782226-3	1	BOX WRENCH 13
58	*	1	TORSION SPRING 20	403	416211-1	1	MULCHING PLATE
59	*	1	LEVER	404	150705-3	1	BATTERY CPL.
60	253315-6	1	THIN WASHER 15	405	150705-3	1	BATTERY CPL.
61	961062-2	1	STOP RING E-12	406	DC240	1	CHARGER
63	233182-5	1	COMP. SPRING 16	407	166045-9	1	REAR BAG
64	416216-1	1	SWITCH BUTTON				

Service Change

- 1) Lever, spring and switch box change.

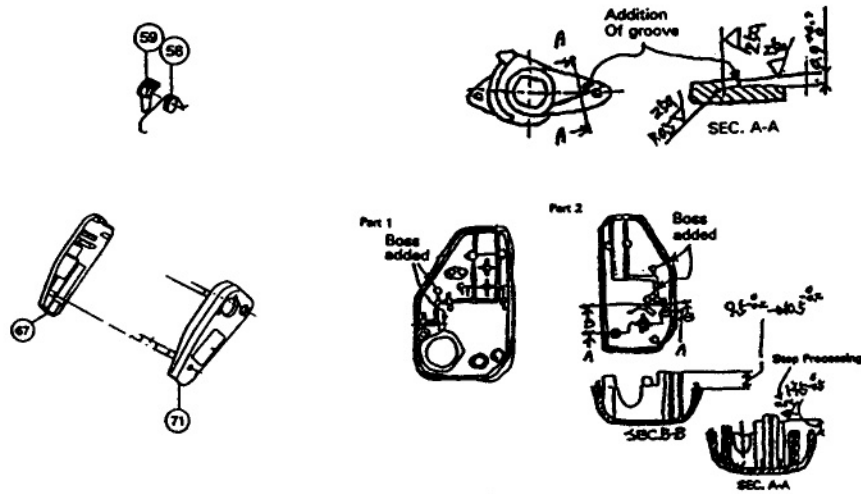


Fig.	Description	Type 1	Type 2
58	Torsion Spring 20	Part #231628-5	Part #231639-0
59	Lever	Part #416198-7	Part #416627-0
67	Switch Box Cover	Part #416201-4 (Discontinued)	Part #416609-2
71	Switch Box	Part #416200-6 (Discontinued)	Part #416608-4

These parts are interchangeable as a set.