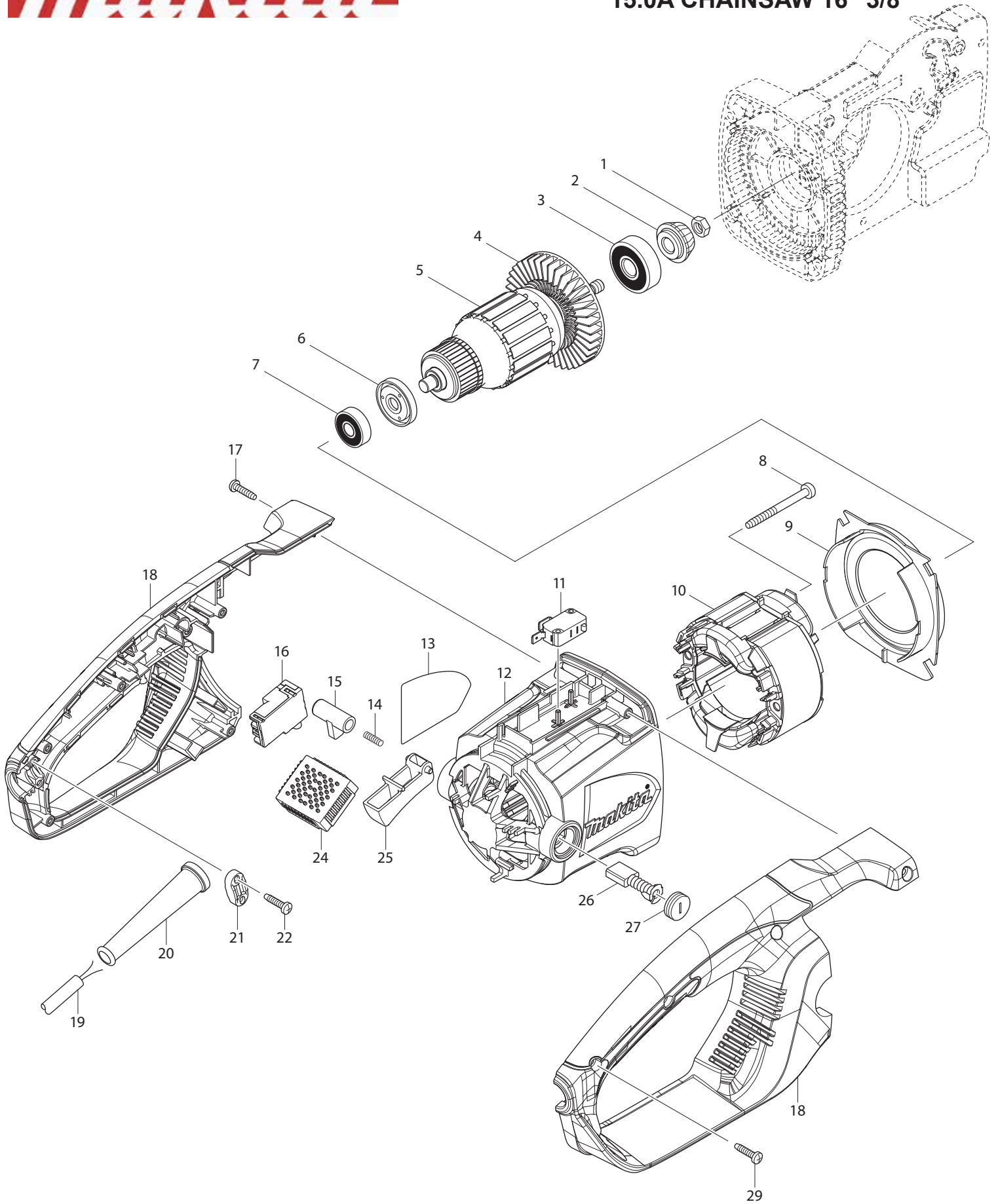
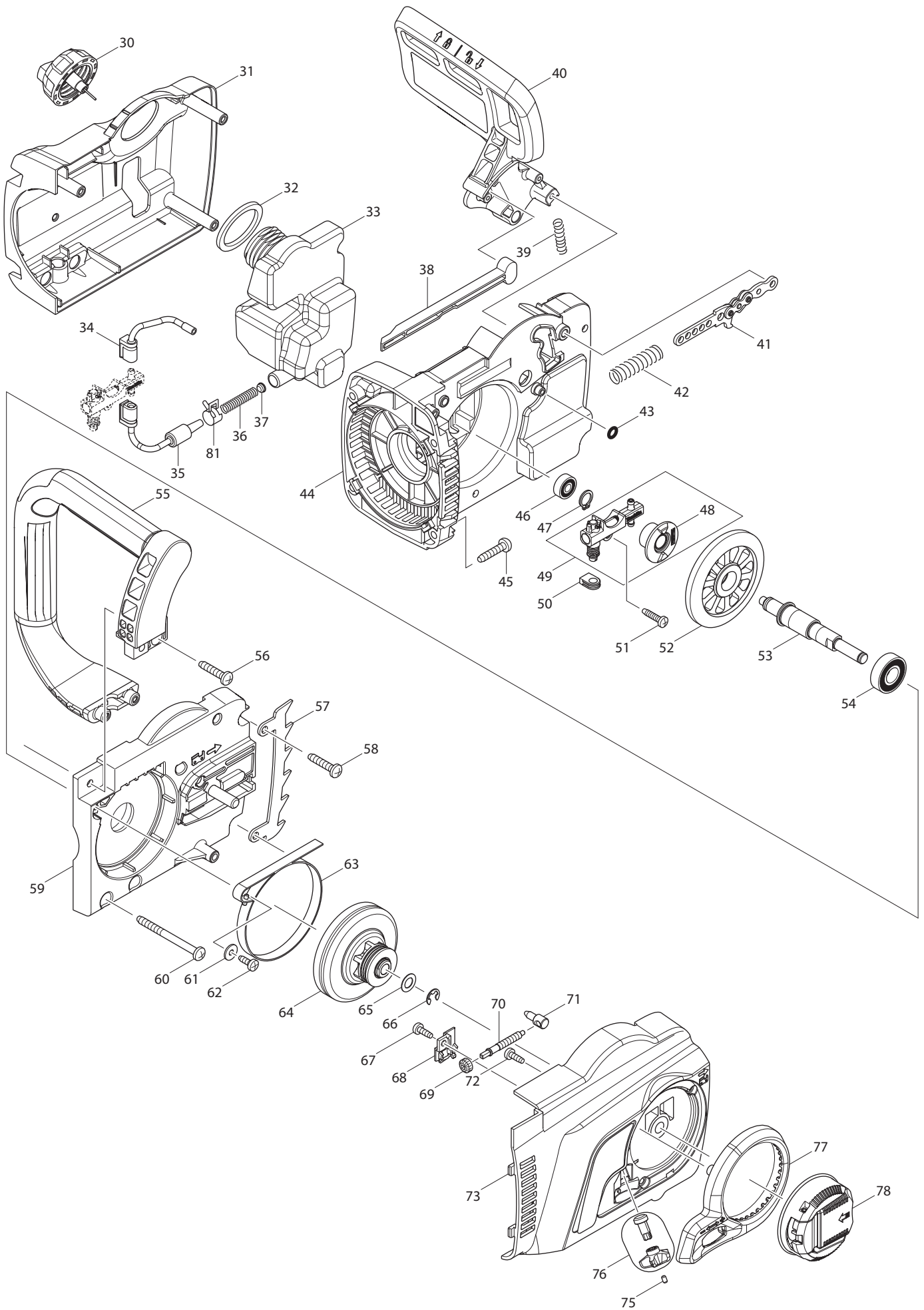




04 - 2014  
UC4051A  
15.0A CHAINSAW 16" 3/8"





Item No.	Type	Sub	Part No.	Description	Qty	Unit
1			931403-6	HEX. NUT M8	1	PC.
2			227626-5	SPIRAL BEVEL GEAR 12	1	PC.
3			211111-8	BALL BEARING 6301LLB	1	PC.
4			240003-4	FAN 80	1	PC.
5			517901-0	ARMATURE ASS'Y 115V	1	PC.
		INC.		Item No. 3,4,6,7		
6			681666-1	INSULATION WASHER	1	PC.
7			210084-2	BALL BEARING 629ZZ	1	PC.
8			266095-5	TAPPING SCREW 5X55	2	PC.
9			419410-4	BAFFLE PLATE	1	PC.
10			636386-2	FIELD 115V	1	PC.
11			650577-1	SWITCH SD-006-BB2AA-AA	1	PC.
12			142348-5	MOTOR HOUSING COMPLETE	1	PC.
		INC.	643653-8	BRUSH HOLDER 6.5-13.5	2	PC.
13			815G07-3	NAME PLATE F/ UC4051A	1	PC.
14			233173-6	COMPRESSION SPRING 4	1	PC.
15			416178-3	LOCK-OFF BUTTON	1	PC.
16			650717-1	SWITCH TGC30B	1	PC.
17			265995-6	TAPPING SCREW 4X18	1	PC.
18			187915-9	HANDLE SET	1	PC.
		INC.	802G48-8	CAUTION LABEL	1	PC.
19			664980-0	CORD W/PLUG 2P-14-0.3M	1	PC.
20			682574-9	CORD GUARD 10-90	1	PC.
21			687124-5	STRAIN RELIEF	1	PC.
22			265995-6	TAPPING SCREW 4X18	2	PC.
24			631720-1	CONTROLLER	1	PC.
25			419411-2	SWITCH LEVER	1	PC.
26			194986-9	CARBON BRUSH CB-154 2PC/SET W/ORIGIN	1	SET
27			643650-4	BRUSH HOLDER CAP 6.5-13.5	2	PC.
29			265995-6	TAPPING SCREW 4X18	6	PC.
30			142282-9	TANK CAP COMPLETE	1	PC.
31			142452-0	GEAR HOUSING COVER COMPLETE	1	PC.
		INC.	802G49-6	CAUTION LABEL	1	PC.
32			421959-2	SPONGE SEAL	1	PC.
33			454826-6	OIL TANK	1	PC.
34			424611-1	CONNECTOR B	1	PC.
35			424610-3	CONNECTOR A	1	PC.
36			231975-4	SPRING	1	PC.
37			416274-7	CAP	1	PC.
38			454825-8	ROD	1	PC.
39			233174-4	COMPRESSION SPRING 6	1	PC.
40			142449-9	FRONT HAND GUARD COMPLETE	1	PC.
		INC.	802G47-0	INDICATION LABEL	1	PC.
41			158044-5	LINK PLATE COMPLETE	1	PC.
42			234005-0	COMPRESSION SPRING 9	1	PC.
43			213017-6	O RING 6	1	PC.
44			454821-6	GEAR HOUSING	1	PC.
45			266041-8	TAPPING SCREW 5X25	4	PC.
46			210028-2	BALL BEARING 606ZZ	1	PC.
47			961006-2	RETAINING RING S-10	1	PC.
48			221427-3	WORM GEAR	1	PC.
49	1		196419-0	* OIL PUMP SET	1	PC.
		INC.		* Item No. 48		
	2		142156-4	* OIL PUMP COMPLETE	1	PC.
50			424612-9	GROMMET	1	PC.
51			265995-6	TAPPING SCREW 4X18	1	PC.
52			227627-3	SPIRAL BEVEL GEAR 37	1	PC.
53			326373-6	SPINDLE	1	PC.

Item No.	Type	Sub	Part No.	Description	Qty	Unit
54			210107-6	BALL BEARING 6001ZZ	1	PC.
55			454823-2	FRONT HANDLE	1	PC.
56			266041-8	TAPPING SCREW 5X25	2	PC.
57			345651-5	SPIKE BUMPER	1	PC.
58			266041-8	TAPPING SCREW 5X25	2	PC.
59			319091-3	BEARING HOUSING	1	PC.
60			266044-2	TAPPING SCREW 5X60	2	PC.
61			267195-4	FLAT WASHER 4	1	PC.
62			266026-4	TAPPING SCREW BIND CT 4X12	1	PC.
63			168426-3	BRAKE BAND	1	PC.
64			125331-7	BRAKE DRUM ASSEMBLY	1	PC.
65			253215-0	FLAT WASHER 8	1	PC.
66			259033-4	RETAINING RING E TYPE 6	1	PC.
67			266427-6	TAPPING SCREW 4X12	1	PC.
68			454818-5	COVER	1	PC.
69			227496-2	STRAIGHT BEVEL GEAR 14	1	PC.
70			326372-8	ADJUST SCREW	1	PC.
71			326310-0	ADJUST PIN	1	PC.
72			266427-6	TAPPING SCREW 4X12	3	PC.
73			142342-7	SPROCKET COVER COMPLETE	1	PC.
75			263002-9	RUBBER PIN 4	1	PC.
76			142665-3	DRIVE GEAR COMPLETE	1	PC.
77			454819-3	NUT COVER	1	PC.
78			142235-8	NUT COMPLETE	1	PC.
81			324685-1	HOSE CLAMP	1	PC.
C01			875588-7	CARTON	1	PC.
D01			654509-0	CONNECTOR 2-SD	1	PC.
D02			654020-2	RING TERMINAL	2	PC.
D03			654501-6	CONNECTOR P-1.25	2	PC.
D04			654207-6	RECEPTACLE	1	PC.

**ACCESSORIES**

- See Catalogue or visit [www.makita.ca](http://www.makita.ca) for more accessories -

A01			158024-1	HOOK COMPLETE	1	PC.
A02			165202-6	GUIDE BAR 16"	1	PC.
A03			419242-9	CHAIN COVER F/16"	1	PC.
A04			531 492 656	SAW CHAIN 16"	1	PC.
	Opt.		T-01600	3/8" PROFESSIONAL CHAIN 50G 16"	1	PC.
A05			182229-1	OIL SUPPLY 100CC	1	PC.

**SERVICE CHANGES**

**1. Changes on Oil Pump**

(T#A5303)

Item No.	Description	Type 1	Type 2
49	Oil Pump Set > Oil Pump Complete	196419-0 (with item No. 48)	142156-4 (without item No. 48)
48	Worm Gear	221427-3	