

Drill - 0 601 102 905 - UB2J75 UB 2/75

www.powertools-aftersaleservice.com



BOSCH

Item	Part Number	Description	Illustration	Price	Quantity	Price Group
1	3 605 108 094	Motor Housing BLUE	1	-,-	1	-
2	1 604 336 005	Brush Holder	1	-,-	1	29
3	1 604 652 001	Spiral Spring	1	-,-	2	12
4	1 604 220 082	Field 220-230V	1	-,-	1	41
4/20	1 901 350 003	Terminal lug 1,5-4x4	1	-,-	1	10
5	1 600 209 002	Air-Deflector Ring	1	-,-	1	14
7	1 609 991 109	Armature 220-240V	1	-,-	1	50
12	3 605 500 057	Sealing cap BLUE	1	-,-	2	-
13	3 605 133 012	Handle DARK BLUE	1	-,-	1	31
13/2	1 602 381 006	Insulating Plate 20x20x50 MM	1	-,-	1	11
13/3	2 910 211 220	Tapping Screw DIN 7971-B 3,9x19	1	-,-	2	11
15	1 607 200 078	Switch	1	-,-	1	36
15	1 607 200 037	Switch	1	-,-	1	37
17	3 600 703 011	Grommet Ø9,2-Ø12x120 MM	1	-,-	1	13
18	1 600 501 019	Bearing cover	1	-,-	1	25
19/20	1 607 328 012	Suppression Capacitor	1	-,-	1	25
20	2 600 905 032	Deep-Groove Ball Bearing 7x19x6	1	-,-	1	17
21	1 602 381 001	Insulating Strip 33x10x6 MM	1	-,-	1	11
22	1 600 900 001	Deep-Groove Ball Bearing 17x35x10	1	-,-	1	30
23	3 605 820 033	Intermediate Bearing	1	-,-	1	46
25	1 601 110 004	Manufacturer's nameplate	1	-,-	2	-
26	1 600 108 003	Felt Disc	1	-,-	1	11
27	1 600 210 006	O-Ring 74,0x3,0 MM	1	-,-	1	11
28	1 601 302 014	Fastening Clamp	1	-,-	1	11
29	1 600 502 011	Intermediate Ring	1	-,-	1	11
30	2 910 211 019	Tapping Screw DIN 7971-ST3,9x16-F	1	-,-	2	10
31	2 910 021 154	Socket head cap screw DIN 84-AM5x12-8.8	1	-,-	4	10
33	1 603 435 006	Tapping Screw B4,8x90 MM	1	-,-	4	11
34	2 910 021 176	Socket head cap screw DIN 84-BM5x55-8.8	1	-,-	2	-
35	2 910 021 163	Socket head cap screw DIN 84-AM5x22-8.8	1	-,-	2	-
36	2 910 021 125	Socket head cap screw DIN 84-AM4x15-8.8	1	-,-	2	10
37	2 910 021 118	Socket head cap screw DIN 84-AM4x8-8.8	1	-,-	2	10
38	2 910 021 116	Socket head cap screw DIN 84-AM4x6-8.8	1	-,-	2	10

Item	Part Number	Description	Illustration	Price	Quantity	Price Group
39	1 600 150 006	Spring Washer DIN 137-A4	1	-,-	1	13
46	2 916 010 410	Plain Washer A 4,3 DIN 125-ST	1	-,-	1	10
60	1 605 806 186	Spindle Bearing	1	-,-	1	-
61	1 900 900 201	Deep-Groove Ball Bearing 15x32x8	1	-,-	1	32
62	1 600 300 026	Spacer Bushing	1	-,-	1	21
63	1 900 900 303	Deep-Groove Ball Bearing 15x35x11	1	-,-	1	30
64	1 600 300 027	Spacer Bushing	1	-,-	1	16
65	1 603 124 039	Drilling Spindle	1	-,-	1	36
66	3 607 030 355	Retaining snap ring	1	-,-	1	26
67	1 600 102 003	Shim 0,5 MM THICK	1	-,-	1	11
68	1 600 108 000	Sealing disk	1	-,-	1	11
69	1 606 317 045	Cylindrical Gear Z=50	1	-,-	1	38
70	1 603 104 005	Adjusting bolt	1	-,-	1	38
71	1 420 100 620	Shim 0,2 MM THICK	1	-,-	1	11
72	1 602 026 026	Control Lever	1	-,-	1	21
73	1 603 413 005	Socket head cap screw M3,5x5,5 MM	1	-,-	1	14
74	1 602 120 006	Control Lever	1	-,-	1	19
75	1 606 328 048	Spindle With Gear Z=20/33/50	1	-,-	1	-
76	1 606 309 036	Spindle With Gear Z=12	1	-,-	1	45
77	1 606 328 058	Cylindrical Gear Z=12/20/36	1	-,-	1	-
78	1 600 283 003	Rotary shaft lip seal	1	-,-	1	16
79	1 600 100 631	Shim 0,5 MM THICK	1	-,-	3	11
80	2 910 021 122	Socket head cap screw DIN 84-AM4x12-8.8	1	-,-	1	10
82	2 916 680 004	Spring Lock Washer DIN 127-B3,5	1	-,-	1	10
83	2 916 660 014	Spring retaining ring DIN 472 35x1,5 MM	1	-,-	1	13
84	1 606 317 043	Cylindrical Gear Z=35	1	-,-	1	41
85	1 606 320 041	Cylindrical Gear Z=33	1	-,-	1	36
86	1 601 110 153	Reference Plate	1	-,-	1	-
87	1 601 110 058	Reference Plate DOUBLE INSULATION	1	-,-	1	11
88	1 601 110 076	Reference Plate	1	-,-	1	-
89	2 601 110 041	Sticker YELLOW	1	-,-	1	11
650	1 602 025 022	Auxiliary Handle M14 BLACK	1	-,-	1	26
650	1 602 025 030	Auxiliary Handle M14, Ø37x115 MM BLACK	1	-,-	1	28
651	1 608 571 027	Key Chuck Ø1,5-13 MM, B16	N/A	-,-	1	43
811	1 607 014 101	Carbon-Brush Set	1	-,-	1	22
835	1 607 000 227	Power supply cord EU 4,15m 2 x 1,0mm H07 RN-F	1	-,-	1	31
888	1 601 106 032	Nameplate 26x52 MM	1	-,-	1	13

Product information Drill - 0 601 102 905 - UB2J75 UB 2/75

Product No	0 601 102 905
Description	251.321; Drill
DIN-Text	
ID_Text_Ext	0
Trading_Description	UB2J75 UB 2/75
Voltage_1	220 V
ID_Country_Product	USA

Illustration - Type E

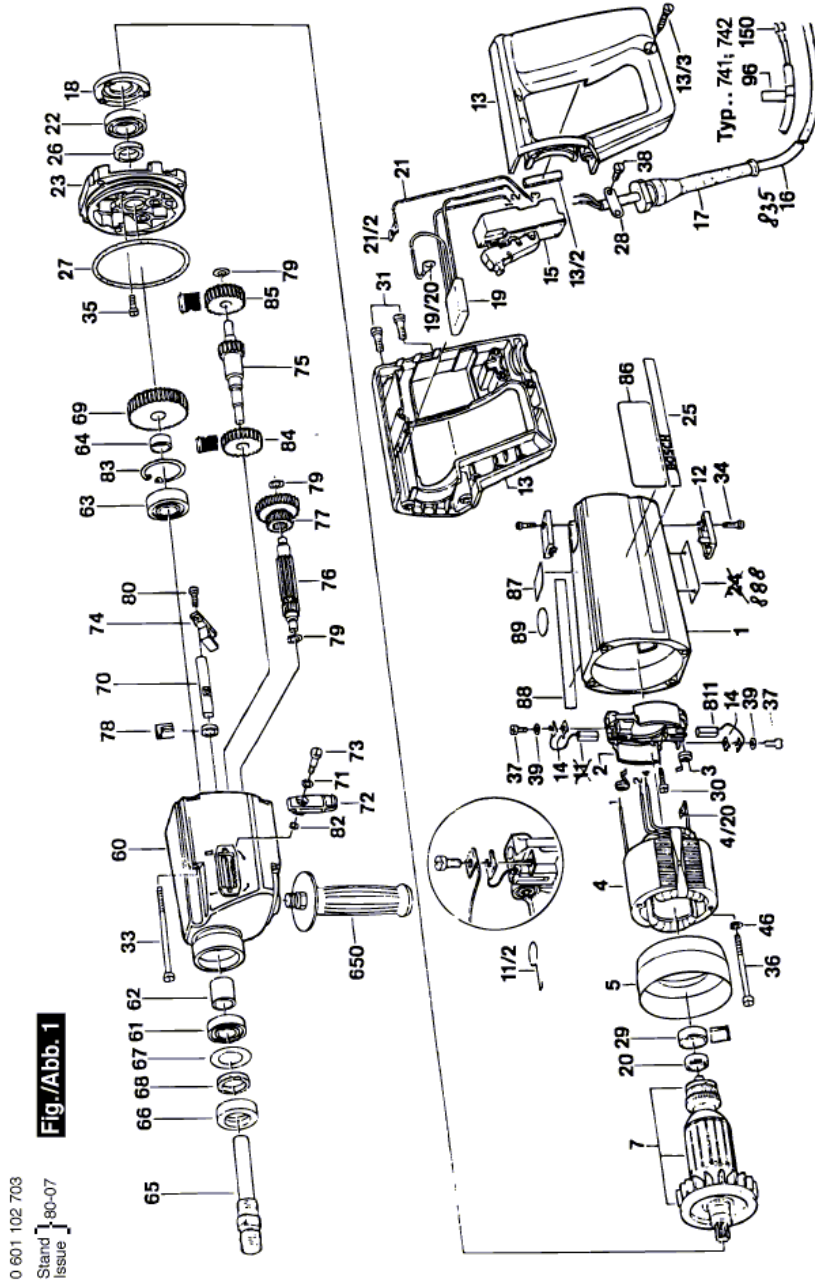


Fig./Abb. 1

0 601 102 703
Stand 80-07
Issue

Änderungen vorbehalten
Modifications reserved
Modifications réservées
Salvo modificaciones
Robert Bosch GmbH
Geschäftsbereich Elektrowerkzeuge
D 7022 Leinfelden-Echterdingen 1

Information subject to change without further notice.