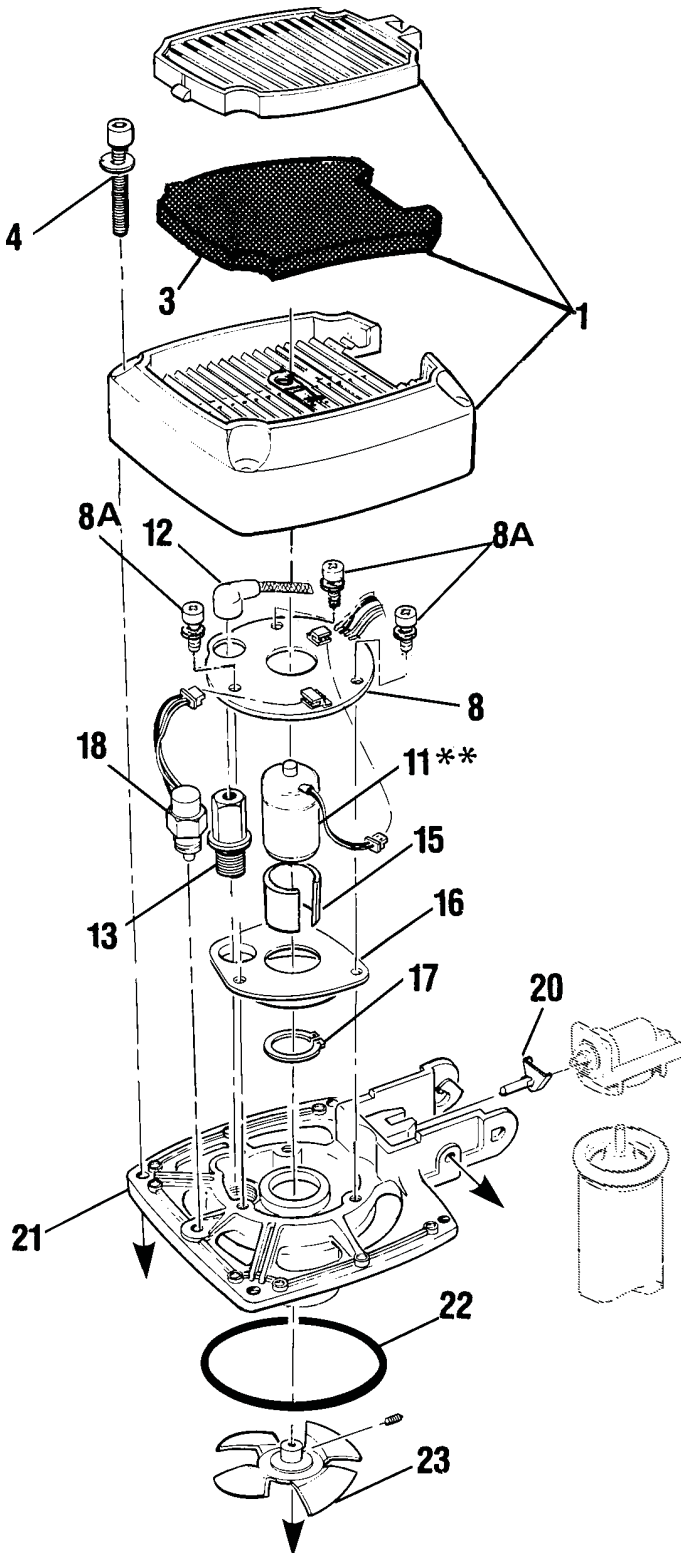


**TRAKFAST™**

*Tool Repair Manual*

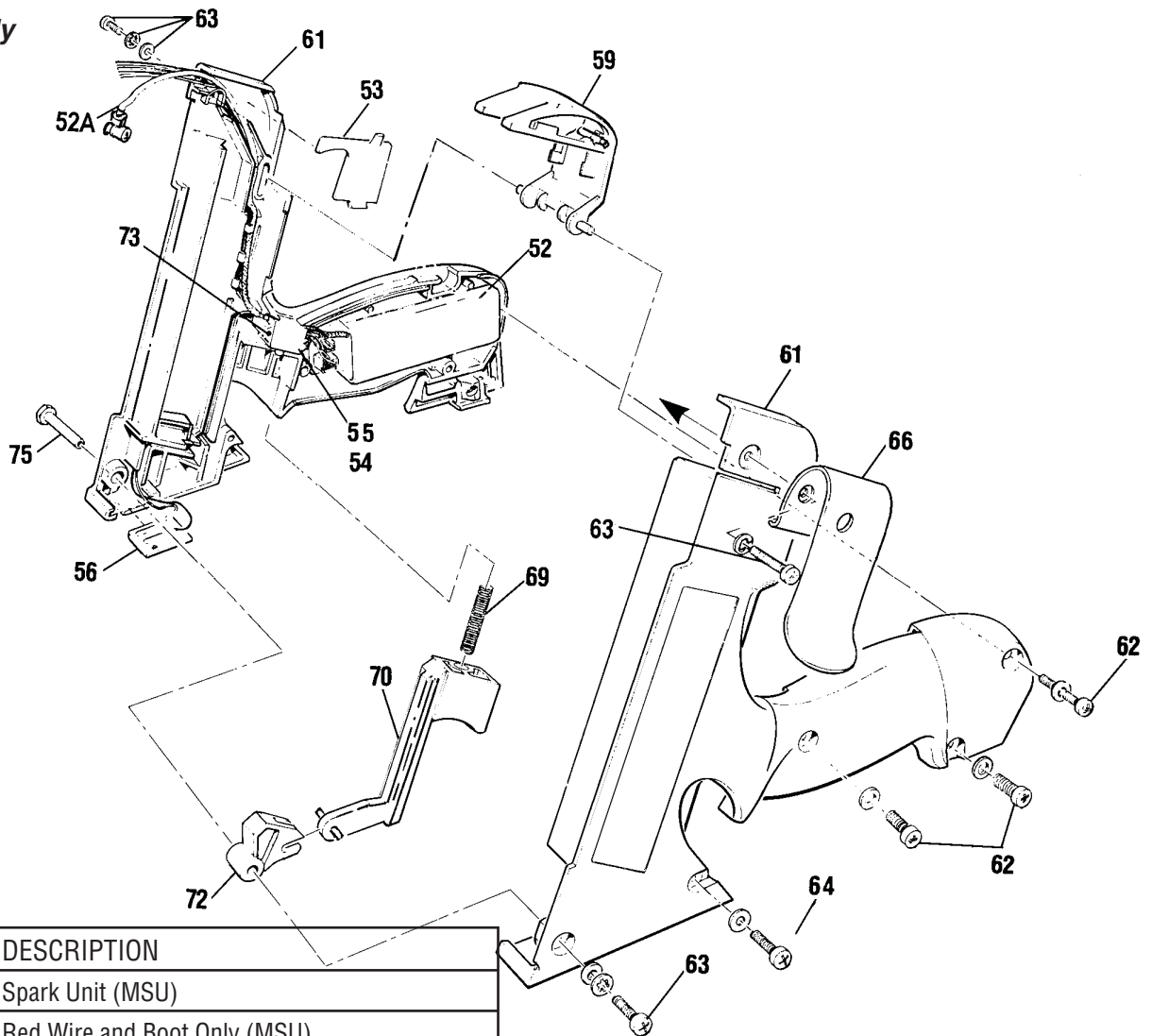
**CYLINDER HEAD ASSEMBLY**



KEY	PART NO.	DESCRIPTION
1	401365	Cap, grill & filter assembly
3	7505018	Foam filter only
4	901065A	Screw kit, #10-24 x 1-1/4" Sems (pkg. 4)
8	900271	P.C board assembly
8A	7405090	P.C board screw & washer, #8-32 x 1/2" (pkg. 3)
11	900525A	Fan motor kit**
12	7505166	MSU spark wire & boot only
12A	404397	Spark plug boot only (for 401341 plug)
13	7505164	Black spark plug (with O-Ring) (for tools after serial no. 39809144)
13A	401341	Red spark plug (with O-Ring)
15	401356	Motor sleeve
16	900470	Motor mount
17	401355	Motor retaining ring
18	404601	Head switch assembly
20	401340	Red stem adaptor
21	401336	Cylinder head
22	403992	O-Ring (cylinder head)
23	403167	Fan blade (with set screw)

Note: It is important to use all kit parts when replacing the fan motor. Failure to do so will greatly reduce the life of the motor.

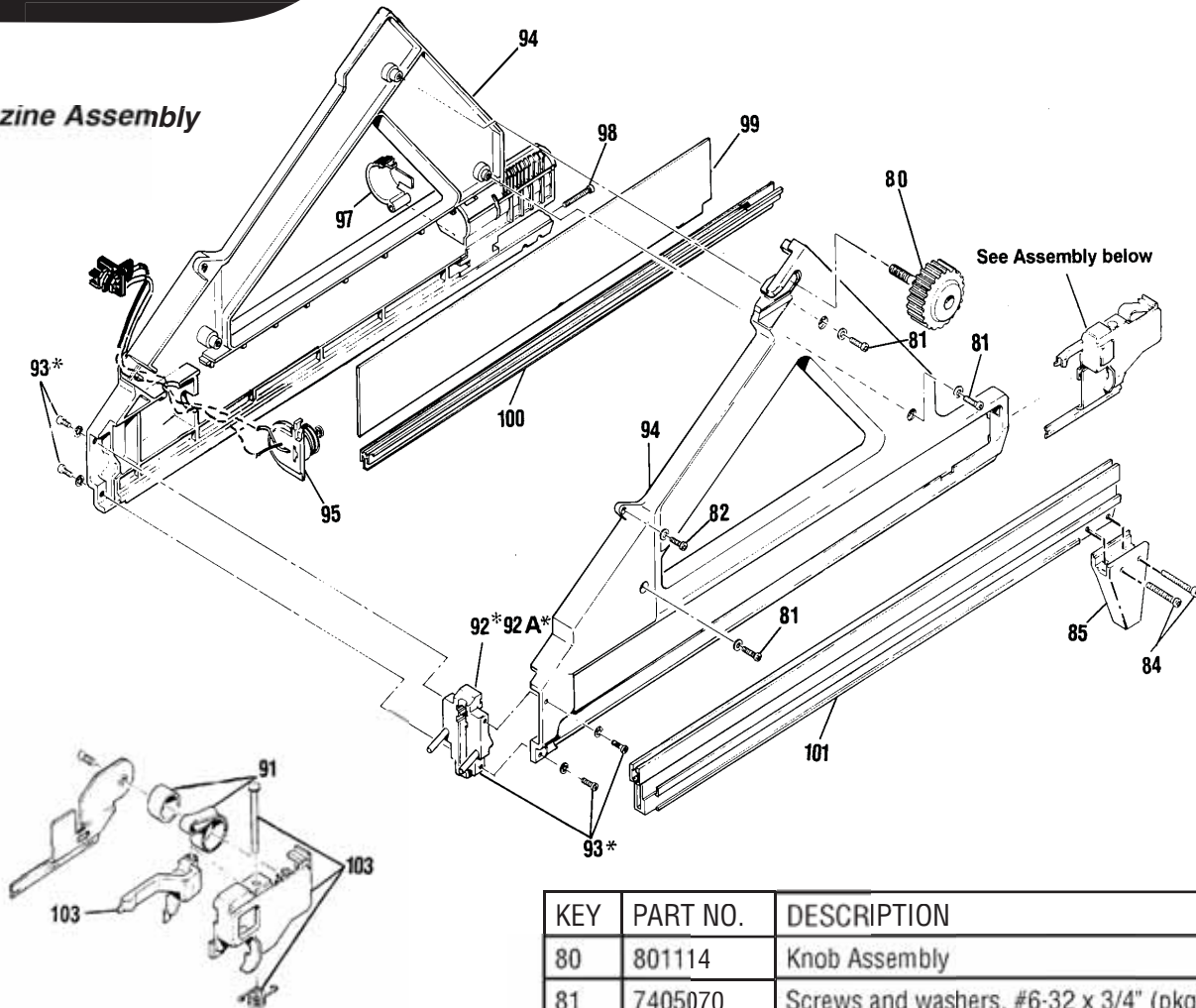
\*\* The Fan Motor Kit includes: Fan Motor, Motor Mount, Motor Sleeve, Snap Ring and Fan Blade.

**Handle Assembly**


KEY	PART NO.	DESCRIPTION
52	7405163	Spark Unit (MSU)
52A	7505166	Red Wire and Boot Only (MSU) (For tools after serial no. 398091440)
53	900012	Wire Cover Plate
54	404619	Insulator (under Trigger Switch)
55	404490	Trigger Switch
56	403999	Handle Contact Board
59	401400A	Actuator Assembly
61	7405148	Left & Right Side Handle Halves
62	7405067	Screws & washers, #6-32 x 1" (pkg. 3)
63	401408	Screw & washer, #10-32 x 9/16"
64	401406	Screw & washer, #6-32 x 1-1/2"
66	401495	Belt Hook
69	401395	Trigger Spring
70	401394A	Trigger Assembly
72	401396	Trigger Cam
73	7405091	Trigger Screws, #2 x 5/8" (pkg. 2)
75	401397	Cam Bushing
	401450	Fuel Cell Pad (not shown)

**TOOL DISASSEMBLY**

**Magazine Assembly**

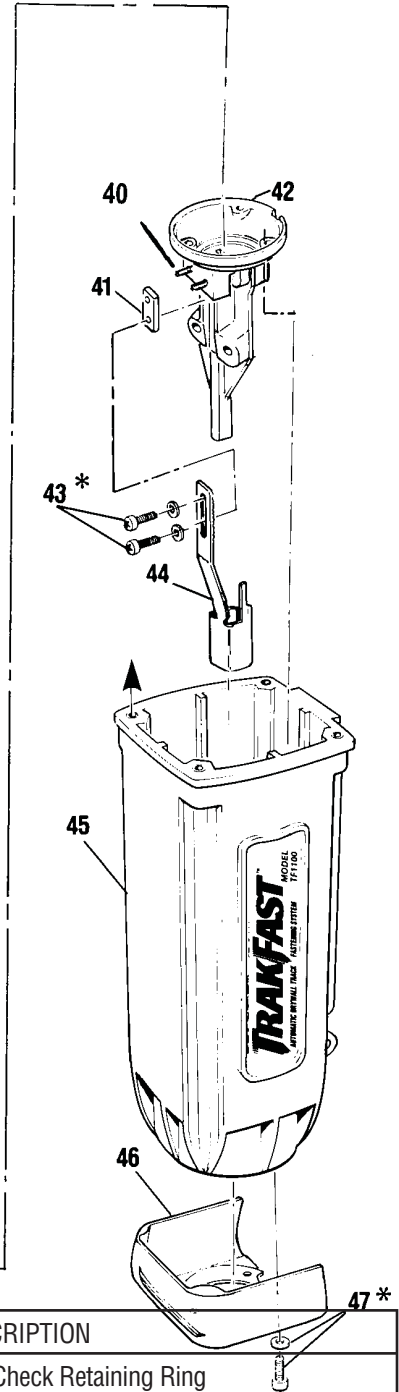
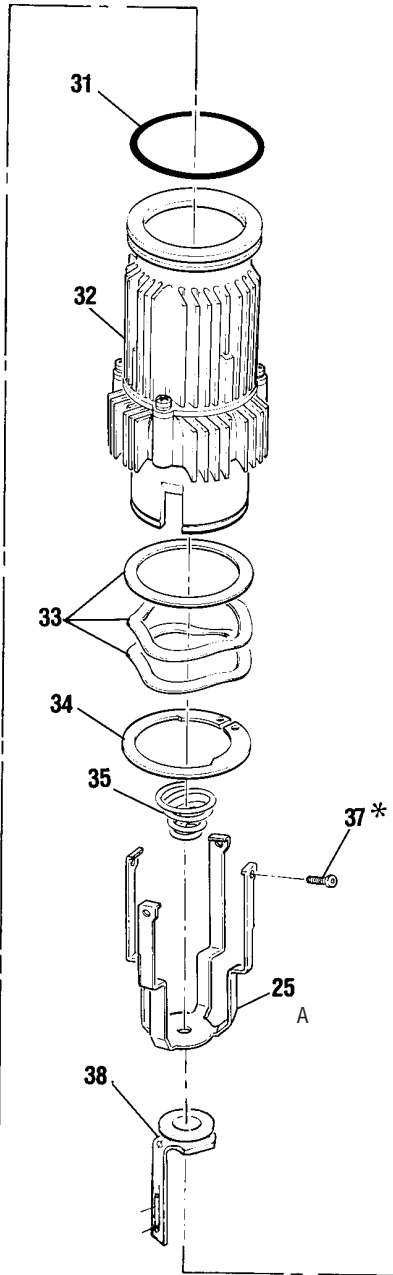
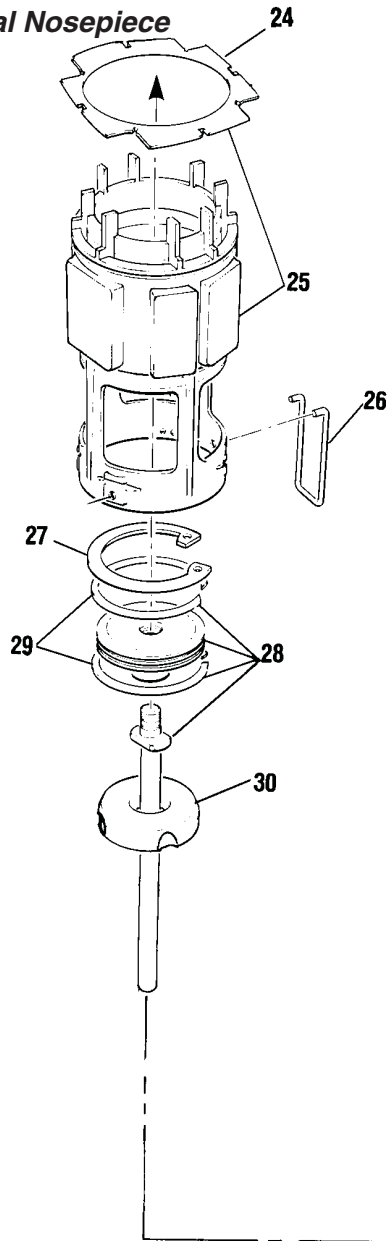


KEY	PART NO.	DESCRIPTION
80	801114	Knob Assembly
81	7405070	Screws and washers, #6-32 x 3/4" (pkg. 3)
82	7405071	Screws and washers, #6-32 x 1/2" (pkg. 3)
84	7405146	Food screws, #6 x 7/7" (pkg. 2)
85	801113	Magazine foot
91	7405169	Constant force spring with hub
92*	801126	Shear block (for Telescoping Nosepiece tools)
92A	801118	Shear block kit with screws & washers (for Original Nosepiece tool) Pre August 2001
93	7405147	Shear block screws & washers only (fits both type shear blocks)
94	7405149	Left & right magazine halves (with battery clip)
95	7505017	Battery contact assembly
97	401422	Battery clip
98	401423	Battery clip screw, #6-32 x 1-1/4"
99	7506006	Cover plate
100	801112	Upper rail
101	801110	Lower rail
103	7405168	Carrier/Follower assembly
	7405177	Follower/Lockout assembly complete

\*screws use Loctite 242 (Blue)

**TOOL REASSEMBLY**

**Original Nosepiece**



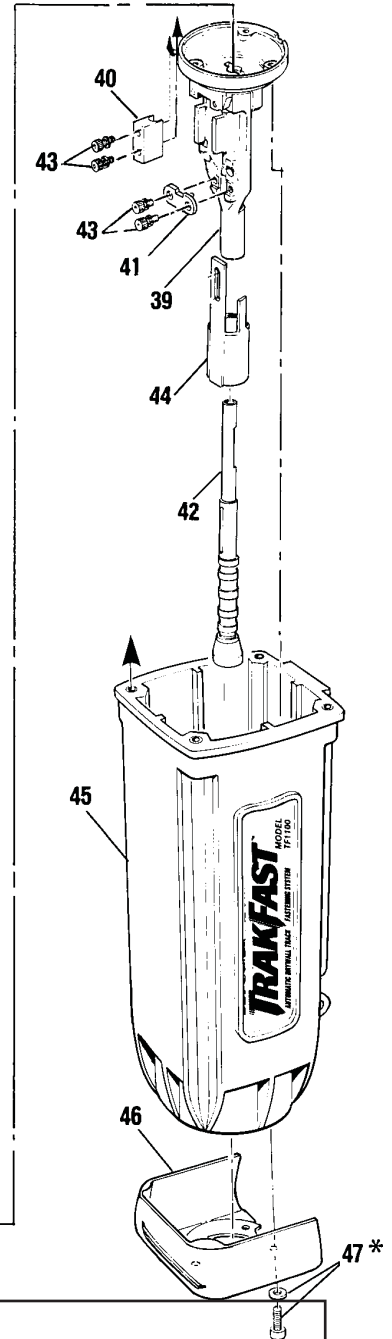
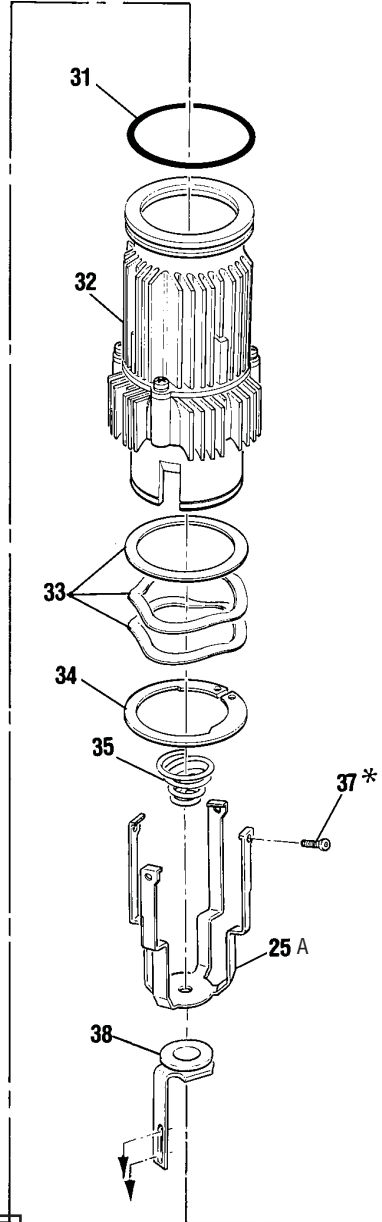
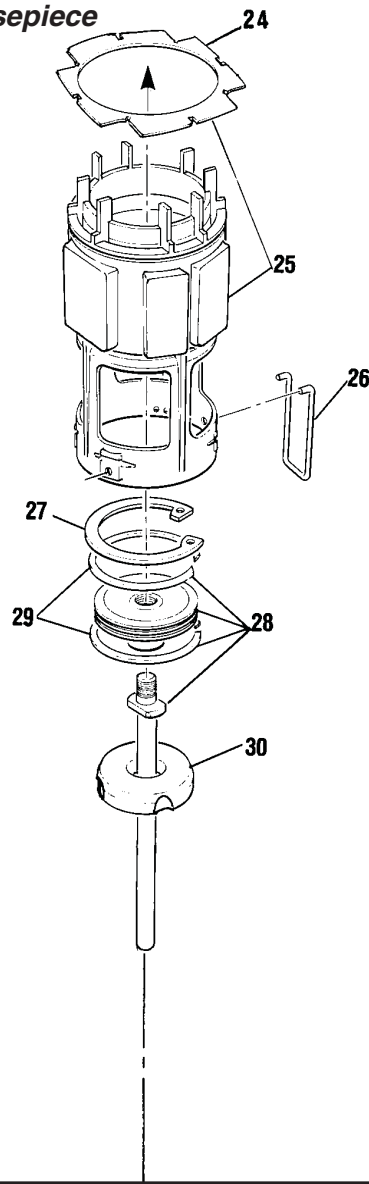
KEY	PART NO.	DESCRIPTION
24	401313	Air Dam
25	7405171	Combustion Chamber (w/Air Dam)
25A	900234	Cage
26	401330	Chamber Lockout Bar
27	401328	Piston Stop Retaining Ring
28	7502000	Piston Assembly (with Piston Rings)
29	7405055	Piston Rings (pkg. 2)
30	7505109	Bumper
31	404482	O-Ring (Sleeve and Mid-Check
32	403083	Sleeve and Mid-Check Assembly
33	7405056	Seal (1) and Wave Washers (2)

KEY	PART NO.	DESCRIPTION
34	401322	Mid-Check Retaining Ring
35	401488	Cage Spring
37*	092769	Screw, #10-32 x 1/4"
38	7405057	Upper Probe with Grommet
40	7405058	Roll Pins (for Nosepiece Assembly) (pkg. 2)
41	401380	Tie Bar
42	801114A	Nosepiece Assembly
43*	7405059	Screw Kit, #10-32 x 3/8" SEMS
45	7505148	Housing with labels
46	7505013	Dust Shield
47*	7405060	Cap Screw & Washer, #10-24 x 1" (pkg. 3)

\* screws use Loctite 242 (Blue)

**TOOL REASSEMBLY**

**Telescoping Nosepiece**



KEY	PART NO.	DESCRIPTION
24	401313	Air Dam
25	7405171	Combustion Chamber (w/Air Dam & Cage)
25A	900234	Cage
26	401330	Chamber Lockout Bar
27	401328	Piston Stop Retaining Ring
28	7502000	Piston Assembly (with Piston Rings)
29	7405055	Piston Rings (pkg. 2)
30	7505109	Bumper
31	404482	O-Ring (Sleeve and Mid-Check
32	403083	Sleeve and Mid-Check Assembly
33	7405056	Seal (1) and Wave Washers (2)
34	401322	Mid-Check Retaining Ring
35	401488	Cage Spring

\*screws - use Loctite 242 (Blue)

KEY	PART NO.	DESCRIPTION
37*	092769	Screw, #10-32 x 1/4"
38	801132	Upper Probe with Grommet
39	801130A	Nosepiece Assembly
40	801131	Guide Block
41	801127	Stop Plate
42	801129	Work Contact Element
43*	7405059	Screw Kit, #10-32 x 3/8" SEMS
44	801128	Lockout Probe
45	7505148	Housing (with labels)
46	7505013	Dust Shield
47	7405060	Cap Screws & Washers, #10-24 x 1" (pkg. 3)