



BOSCH

Angle Grinder

TWS 2000 | 0 601 849 1AA

Table of Content

Spare parts list.....	2
Illustration - Type.....	4

Spare parts list

Item	Part Number	Description
2	1 604 220 380	Field 220-240V
5	1 614 460 076	Power supply cord H07 RN-F CN 2,65m 2 x 1,00mm
6	1 600 703 023	Grommet Ø 10,5-Ø11,0x100 MM
7	1 601 302 018	Fastening Clamp
9	1 619 P09 908	Manufacturer's nameplate TWS 2000
23	1 605 500 233	Sealing cap BLUE
24	1 619 P09 910	Handle
29	1 600 210 045	O-Ring 8,0x1,0 MM
30	1 600 591 035	Air Distributor
31	1 619 P17 209	Air-Deflector Ring
33	1 600 290 013	Rotary shaft lip seal 18,7 MM RED
38	1 600 206 020	Rubber Ring 7 MM WIDE
39	1 600 206 030	Rubber Ring
44	1 601 334 009	Pickup Clip
51	2 600 910 001	Needle-Roller Bearing Ø14 MM
53	1 605 190 068	Socket Housing
60	1 603 435 023	Thread-forming tap. Screw TT M5x18 MM
61	2 912 401 038	Tapping Screw DIN 7981-4,8x38-C-Z-ST
62	1 603 435 024	Tapping Screw C4,8x63 MM
63	1 603 410 014	Pan head screw M4x10 MM
64	1 603 435 042	Plastic-Cutting Screw St3,9x12
65	2 912 401 020	Tapping Screw DIN 7981-3,9x19-C-Z-ST
66	2 910 211 019	Tapping Screw DIN 7971-ST3,9x16-F
68	1 601 006 011	Sealing Plate
803	1 604 011 252	Armature 220-240V
804	1 607 000 967	Switch BLACK
808/1	1 619 P09 907	Nameplate
808/2	1 619 P01 490	Transparent Cover
810	1 619 P10 101	Carbon-Brush Set
813	1 600 905 011	groove ball bearing 8x22x7
814	1 600 905 023	groove ball bearing 10x35x11
816	1 604 336 048	Brush Holder
821	1 619 P09 931	Gear Housing
835	1 606 610 127	Fan

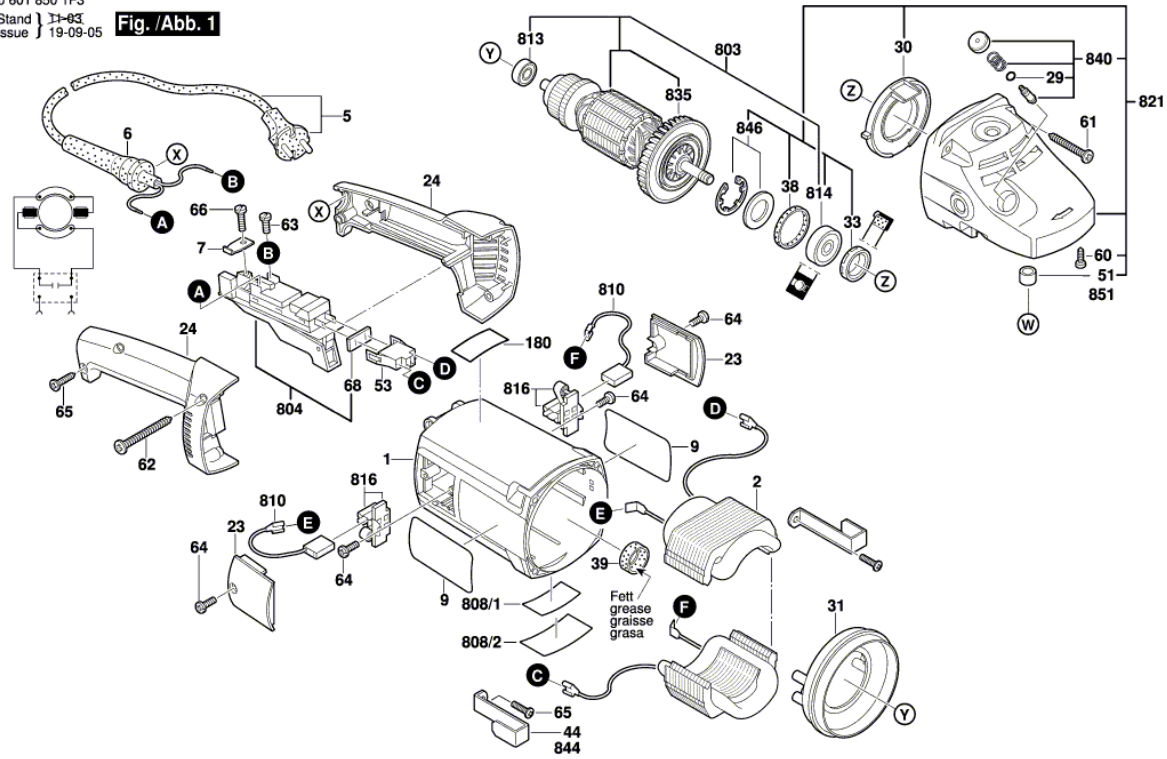
Spare parts list

Item	Part Number	Description
840	1 607 000 354	Push-Button
846	1 607 000 342	Retaining Washer
28	1 600 210 033	O-Ring 79,0x1,78 MM
32	1 600 290 019	Retaining snap ring
34	1 600 190 020	Shim 0,15 MM THICK
34	1 600 190 021	Shim 0,3 MM THICK
34	1 600 190 022	Shim 0,1 MM THICK
34	1 600 190 037	Shim 0,2 MM THICK
34	1 600 190 038	Shim 0,25 MM THICK
34	1 600 190 039	Shim 0,35 MM THICK
34	1 600 190 040	Shim 0,4 MM THICK
35	1 600 205 034	Felt Washer
37	1 600 290 036	Seal Ring BLACK
45	1 603 300 019	Hex Nut M10, SW14
69	2 916 650 905	Spring retaining ring
822	1 619 P15 298	Bearing Flange Ø180 MM
822/22/48	1 600 119 010	Spring retaining ring
822/22/50	1 600 905 026	groove ball bearing 17x40x12
823	1 619 P15 624	Bearing Flange Ø180 MM
825	1 619 P15 297	Grinding Spindle
826	1 619 P15 405	Bevel Gear Set Ø180 MM
882	1 619 P06 597	Stopper
651	1 619 P09 911	Protective Cover Ø180 MM
890	1 600 210 039	O-Ring 20,35x1,78 MM
891	1 619 P09 013	Auxiliary Handle
891/1	1 602 025 09Z	Auxiliary Handle
892	1 607 950 061	Pin-Type Face-Wrench
893	2 605 703 014	Clamping Flange Ø22,3xØ42 MM
894	1 603 345 043	Round Nut M14
896	1 600 A01 6PP	Fast Locking Flange
897	1 605 430 003	Grease Tube 225 ML
898	1 615 430 020	Grease Tube 225 ML

Illustration - Type - E

0 601 850 1F3
 Stand } 11-83
 Issue } 19-09-05

Fig. /Abb. 1



Änderungen vorbehalten
 Modifications reserved
 Modifications réservées
 Salvo modificaciones

Illustration - Type - E

0 601 850 1F3
 Stand } 19-11
 Issue } 20-03-30

Fig. /Abb. 2

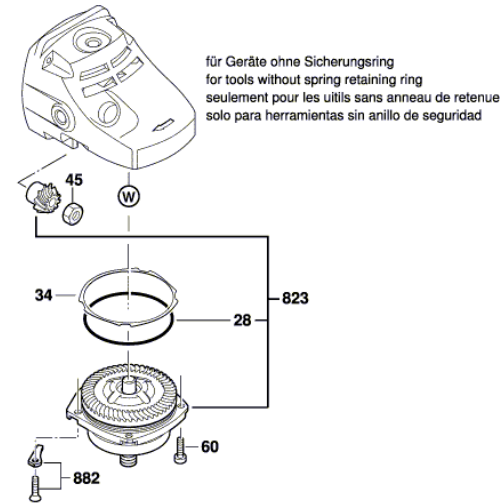
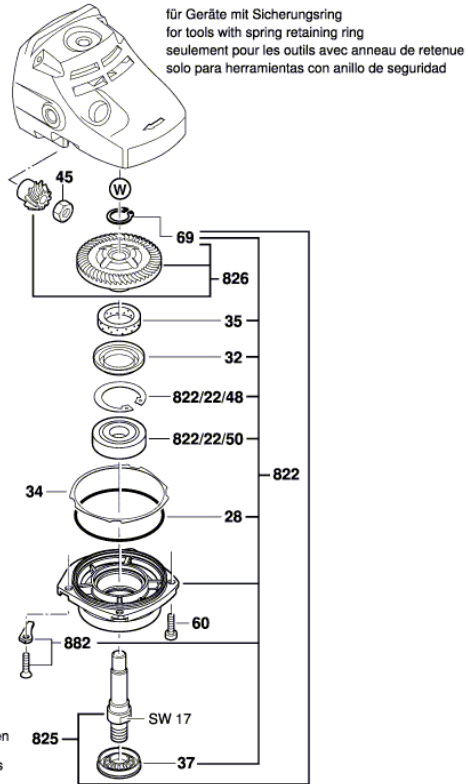
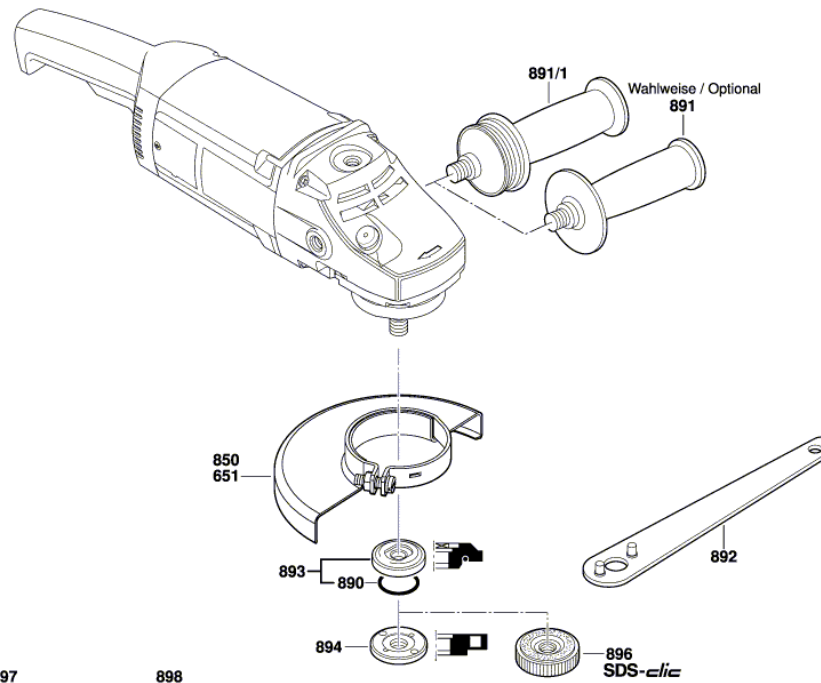


Illustration - Type - E

0 601 850 1F3
Stand } 14-03
Issue } 19-09-05 **Fig./Abb. 3**



Änderungen vorbehalten
Modifications reserved
Modifications réservées
Salvo modificaciones