

RYOBI 10 in. MITER SAW – MODEL NUMBER TSS101L

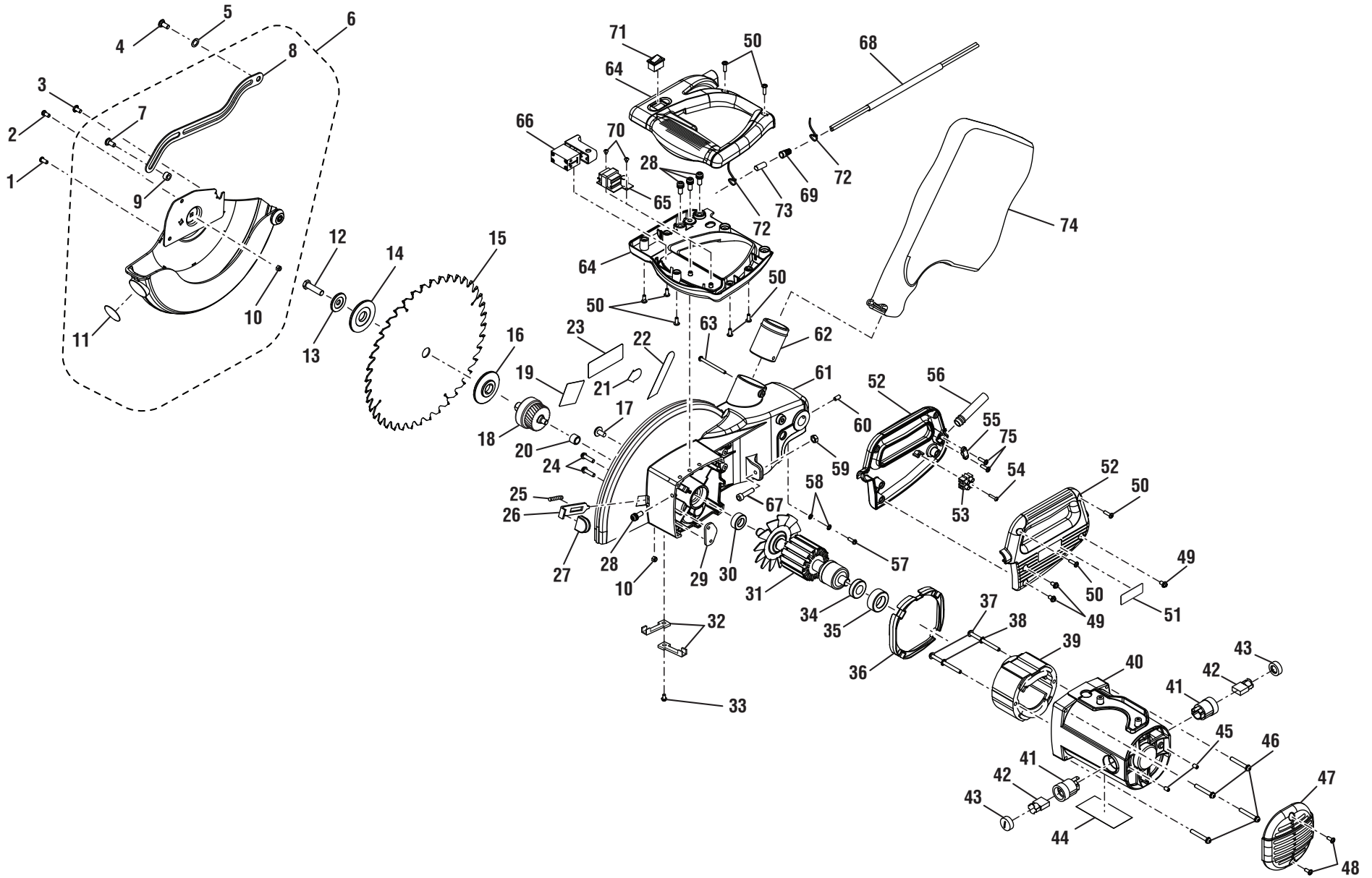


FIGURE A

RYOBI 10 in. MITER SAW – MODEL NUMBER TSS101L

The model number will be found on a label attached to the housing. Always mention the model number in all correspondence regarding your **MITER SAW** or when ordering repair parts.

PARTS LIST FOR FIGURE A

KEY NO.	PART NUMBER	DESCRIPTION	QTY.	KEY NO.	PART NUMBER	DESCRIPTION	QTY.
1	089100121169	Screw (M5 x 10 mm, Pan Hd.).....	1	41	089100121090	Brush Holder.....	2
2	089100121187	Screw (M5 x 13.5 mm, Special Pan Hd.).....	1	42	089100121098	Brush Assembly.....	2
3	089100121167	Screw (M5 x 12 mm, Pan Hd.).....	1	43	089100121099	Brush Cap.....	2
4	089100121173	Screw (M6 x 11 mm, Pan Hd. Nylock).....	1	44	089100121910	Data Label.....	1
5	089100121174	Washer (D8.5 x D13.5 x 0.5t).....	1	45	089100121091	Screw (M5 x 8 mm, Hex Soc. Hd.).....	2
6	089100121700	Lower Guard w/Linkage Assembly (Inc. Key Nos. 7-11).....	1	46	089100121095	Screw (M5 x 35 mm, Pan Hd.).....	4
7	N/A	Screw (M6 x 13.5 mm, Special Pan Hd.).....	1	47	089100121096	End Cap.....	1
8	N/A	Linkage Arm.....	1	48	089100121097	Screw (M4 x 10 mm, Pan Hd.).....	2
9	N/A	Lower Guard Spacer (D11.5 x D6.2 x 7t).....	1	49	089100121143	Screw (M5 x 30 mm, Pan Hd.).....	3
10	N/A	Lock Nut (M5).....	2	50	089100121109	Screw (M4 x 14 mm, Pan Hd.).....	9
11	N/A	No Hands Warning Label.....	1	51	089100121908	Logo Label.....	1
12	089100121156	Blade Screw (M8 x 20 mm, Left Hand Hex Hd.).....	1	52	089100121731	Carry Handle w/Label.....	1
13	089100121155	Blade Washer.....	1	53	089100121137	Terminal Block.....	1
14	089100121154	Outer Blade Washer.....	1	54	089100121138	Screw (M3 x 15 mm, Pan Hd.).....	1
15	089100121806	Blade (10 in. 40T).....	1	55	089100121135	Cord Clip.....	1
16	089100121152	Inner Blade Washer.....	1	56	089100121144	Bend Relief.....	1
17	089100121106	Screw (M6 x 12 mm, Pan Hd.).....	1	57	089100121139	Screw (M4 x 12 mm, Pan Hd.).....	1
18	089100121771	Arbor Assembly.....	1	58	089100121140	Washer (M4).....	2
19	089100121902	Upper Guard Warning Label.....	1	59	089100121019	Hex Nut (M6).....	1
20	089100121100	Needle Bearing (HK0910).....	1	60	089100121125	Screw (M5 x 8 mm, Hex Soc. Hd.).....	1
21	089100121903	Arbor Screw Instruction Label.....	1	61	089100121077	Upper Guard.....	1
22	089100121901	Exactline Label.....	1	62	089100121120	Dust Tube.....	1
23	089100121900	Logo Label.....	1	63	089100121121	Screw (M4 x 50 mm, Pan Hd.).....	1
24	089100121082	Screw (M5 x 20 mm, Pan Hd.).....	2	64	089100121610	"D" Handle Assembly.....	1
25	089100121080	Spring.....	1	65	089100121110	Laser Transformer Assembly.....	1
26	089100121078	Spindle Lock Plate.....	1	66	089100121112	Switch.....	1
27	089100121079	Spindle Lock Plate Cover.....	1	67	089100121183	Screw (M6 x 25 mm, Hex Soc. Hd.).....	1
28	089100121108	Screw (M6 x 15 mm, Pan Hd.).....	4	68	089100121119	Power Cord.....	1
29	089100121081	Plate.....	1	69	089100121114	Wire Nut.....	1
30	089100121085	Bearing (6201ZLU).....	1	70	089100121111	Screw (M3 x 5 mm, Pan Hd.).....	2
31	089100121612	Armature Assembly (Inc. Key Nos. 30 and 34).....	1	71	089100121116	Laser Switch.....	1
32	089100121193	Key Plate.....	2	72	089100121113	Zip Tie.....	2
33	089100121133	Screw (M4 x 8 mm, Pan Hd.).....	1	73	089100121115	Insulated Adhesive Tape.....	1
34	089100121083	Bearing (6001ZZ).....	1	74	089100121809	Dust Bag Assembly.....	1
35	089100121086	Bearing Cover.....	1	75	089100121192	Screw (M4 x 14 mm, Pan Hd.).....	2
36	089100121087	Baffle.....	1				
37	089100121186	Screw (M5 x 65 mm, Pan Hd.).....	2		Not Shown:		
38	089100121094	Washer (M5).....	2		987000980	Operator's Manual.....	1
39	089100121092	Field Assembly.....	1		7-9-13		
40	089100121089	Motor Housing.....	1		(Rev:07)		

RYOBI 10 in. MITER SAW – MODEL NUMBER TSS101L

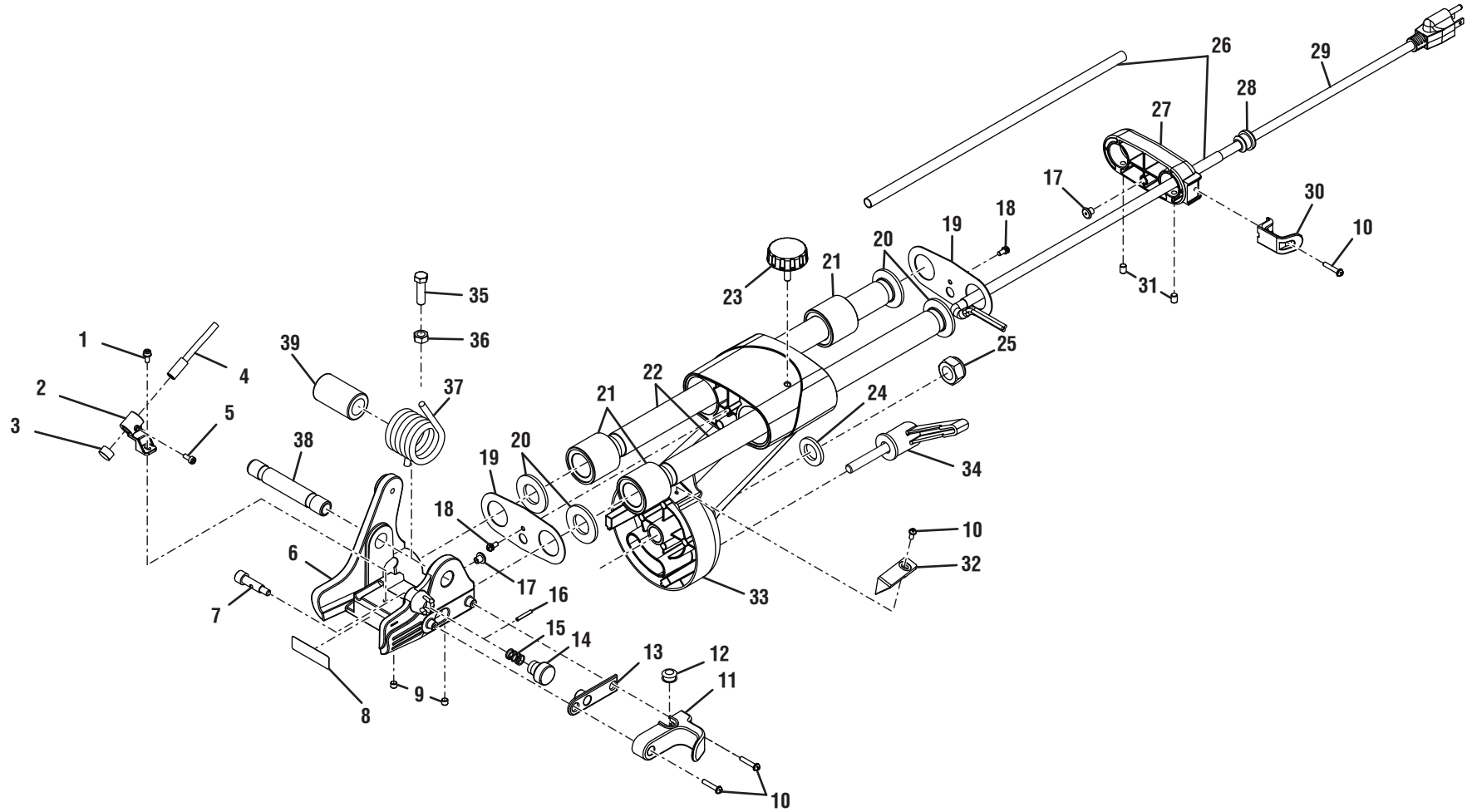


FIGURE B

RYOBI 10 in. MITER SAW – MODEL NUMBER TSS101L

The model number will be found on a label attached to the housing. Always mention the model number in all correspondence regarding your **MITER SAW** or when ordering repair parts.

PARTS LIST FOR FIGURE B

KEY NO.	PART NUMBER	DESCRIPTION	QTY.	KEY NO.	PART NUMBER	DESCRIPTION	QTY.
	089100121750	Pivot & Laser w/Power Cord Assembly (Inc. Key Nos. 1-33).....	1	20	089100121052	Felt Washer (D23 x D38 x 2t).....	4
1	089100121131	Screw (M4 x 10 mm, Hex Soc. Hd.).....	1	21	089100121044	Bearing (LM25UU).....	3
2	089100121128	Laser Plate	1	22	089100121051	Slider Shaft.....	2
3	089100121129	Laser Cover.....	1	23	089100121045	Knob.....	1
4	089100121127	Laser	1	24	089100121063	Washer (D17.5 x D30 x 3.5t)	1
5	089100121130	Screw (M4 x 6 mm, Hex Soc. Hd.).....	1	25	089100121064	Lock Nut (M16, Hex)	1
6	089100121046	Front Pivot (Inc. Key No. 8)	1	26	089100121057	Heat Shrink Tubing.....	1
7	089100121048	Lock Down Pin (M6).....	1	27	089100121059	End Cap (Slider Shaft Cover)	1
8	089100121905	Laser Warning Label	1	28	089100121058	Outlet Bead (D9).....	1
9	089100121061	Screw (M6 x 5 mm, Hex Soc. Hd.).....	2	29	089100121056	Power Cord	1
10	089100121075	Screw (M4 x 12 mm, Pan Hd.)	4	30	089100121148	Cord Wrap.....	1
11	089100121147	Cord Wrap (Front).....	1	31	089100121062	Screw (M6 x 8 mm, Hex Soc. Hd.).....	2
12	089100121145	Grommet	1	32	089100121074	Bevel Indicator	1
13	089100121146	Cord Fixed Plate	1	33	089100121043	Pivot	1
14	089100121047	Lock Pin Knob.....	1	34	089100121762	Bevel Locking Knob Assembly	1
15	089100121050	Spring.....	1	35	089100121065	Screw (M8 x 30 mm, Hex Hd.).....	1
16	089100121049	Spring Pin (Ø3.2 x 20L)	1	36	089100121066	Hex Nut (M8)	1
17	089100121060	Bumper Pad	2	37	089100121124	Spring.....	1
18	089100121036	Screw (M4 x 10 mm, Pan Hd.)	2	38	089100121122	Upper Pivot Bolt.....	1
19	089100121053	Bearing Cover Plate	2	39	089100121123	Spring Spacer	1
					Not Shown:		
					089100121920	Cord Wrap Label.....	1

RYOBI 10 in. MITER SAW - MODEL NUMBER TSS101L

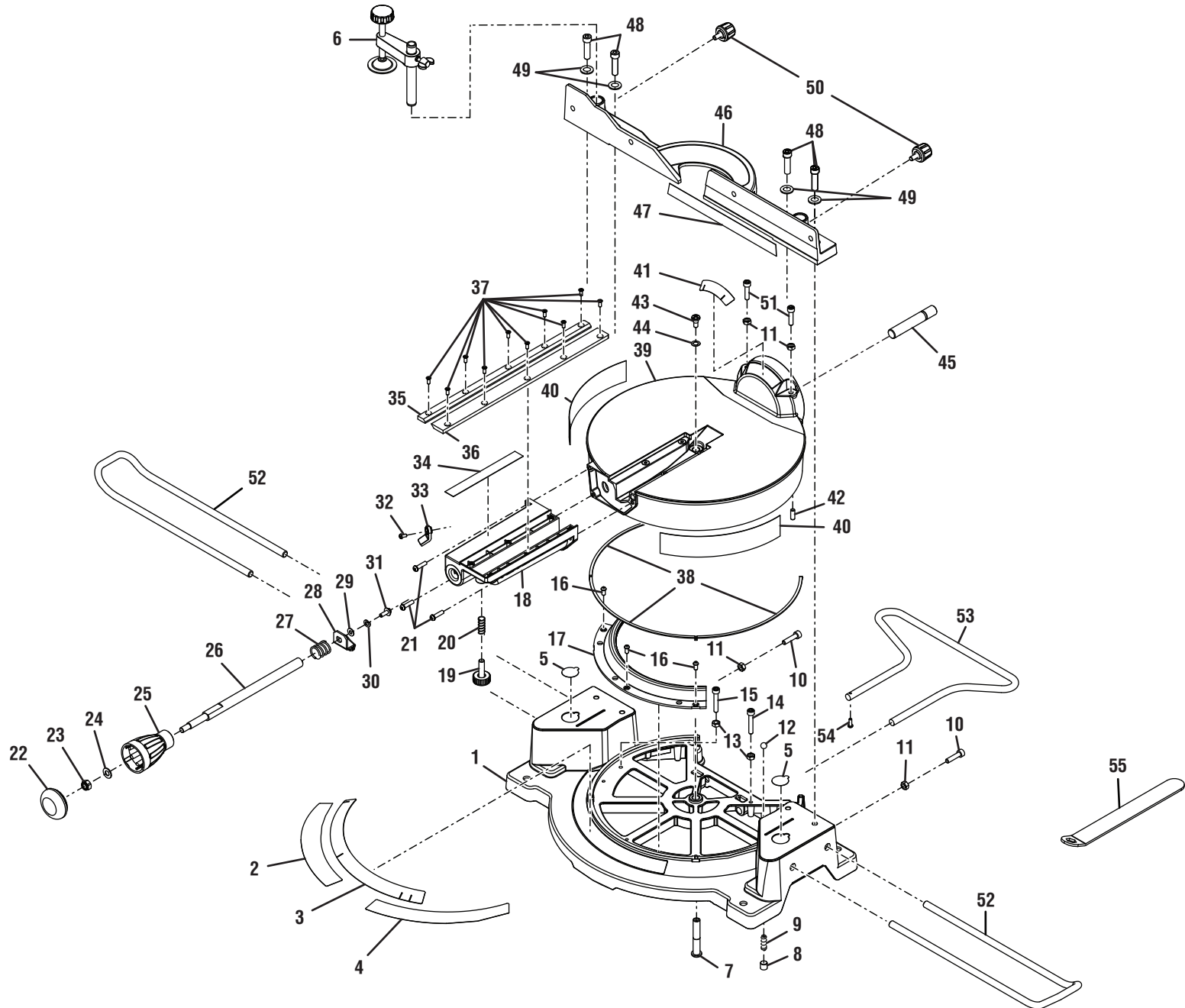


FIGURE C

RYOBI 10 in. MITER SAW – MODEL NUMBER TSS101L

The model number will be found on a label attached to the housing. Always mention the model number in all correspondence regarding your **MITER SAW** or when ordering repair parts.

PARTS LIST FOR FIGURE C

KEY NO.	PART NUMBER	DESCRIPTION	QTY.	KEY NO.	PART NUMBER	DESCRIPTION	QTY.
1	089100121002	Base	1	30	089100121182	Washer (M5)	1
2	089100121914	Base Warning Label (Left)	1	31	089100121181	Screw (M5 x 10 mm, Hex Soc. Hd.)	1
3	089100121913	Miter Scale Label	1	32	089100121036	Screw (M4 x 10 mm, Pan Hd.)	1
4	089100121915	Base Warning Label (Right)	1	33	089100121035	Miter Indicator	1
5	089100121906	No Hands Warning Label (Base)	2	34	089100121909	Miter Lock Label	1
6	089100121800	Work Clamp Assembly	1	35	089100121039	Throat Plate (Left)	1
7	089100121003	Screw (D15 x 3t-D10 x 62.5 mm)	1	36	089100121040	Throat Plate (Right)	1
8	089100121015	Screw (M10 x 10 mm, Hex Soc. Hd.)	1	37	089100121041	Screw (M4 x 10 mm, Flat Hd.)	10
9	089100121014	Spring	1	38	089100121012	Base Shim (1.5t)	3
10	089100121183	Screw (M6 x 25 mm, Hex Soc. Hd.)	2	39	089100121017	Table	1
11	089100121019	Hex Nut (M6)	4	40	089100121912	Operations Label	2
12	089100121013	Steel Ball (D9)	1	41	089100121911	Bevel Scale Label	1
13	089100121007	Hex Nut (M6)	2	42	089100121023	Screw (M6 x 16 mm, Hex Soc. Hd.)	1
14	089100121008	Screw (M6 x 50 mm, Hex Soc. Hd.)	1	43	089100121024	Screw (M6 x 16 mm, Pan Hd.)	1
15	089100121006	Screw (M6 x 28 mm, Hex Soc. Hd.)	1	44	089100121025	Washer (D8.5 x D18.5 x 0.5t)	1
16	089100121180	Screw (M5 x 10 mm, Pan Hd.)	3	45	089100121022	Pivot Bolt (M16)	1
17	089100121004	Miter Fixed Plate	1	46	089100121740	Fence w/Scale Assembly (Inc. Key No. 47)	1
18	089100121020	Extension Block, Table	1	47	089100121904	Fence Scale Label	1
19	089100121037	Extension Block Supporter	1	48	089100121184	Screw (M8 x 30 mm, Hex Soc. Hd.)	4
20	089100121038	Spring	1	49	089100121185	Washer (D18 x D8.2 x 2t)	4
21	089100121021	Screw (M5 x 20 mm, Pan Hd.)	3	50	089100121177	Knob	2
22	089100121034	End Cap (Miter Knob)	1	51	089100121018	Screw (M6 x 35 mm, Hex Soc. Hd.)	2
23	089100121033	Lock Nut (M8, Hex)	1	52	089100121807	Table Extension	2
24	089100121032	Washer (D8.2 x D18 x 1.5t)	1	53	089100121010	Bar (Rear)	1
25	089100121031	Miter Knob	1	54	089100121011	Screw (M5 x 10 mm, Pan Hd.)	1
26	089100121026	Miter Locking Rod	1	55	089100121808	Blade Wrench	1
27	089100121030	Spring	1				
28	089100121027	Miter Locking Plate	1				
29	089100121029	Washer (D5 x D12 x 2t)	1				