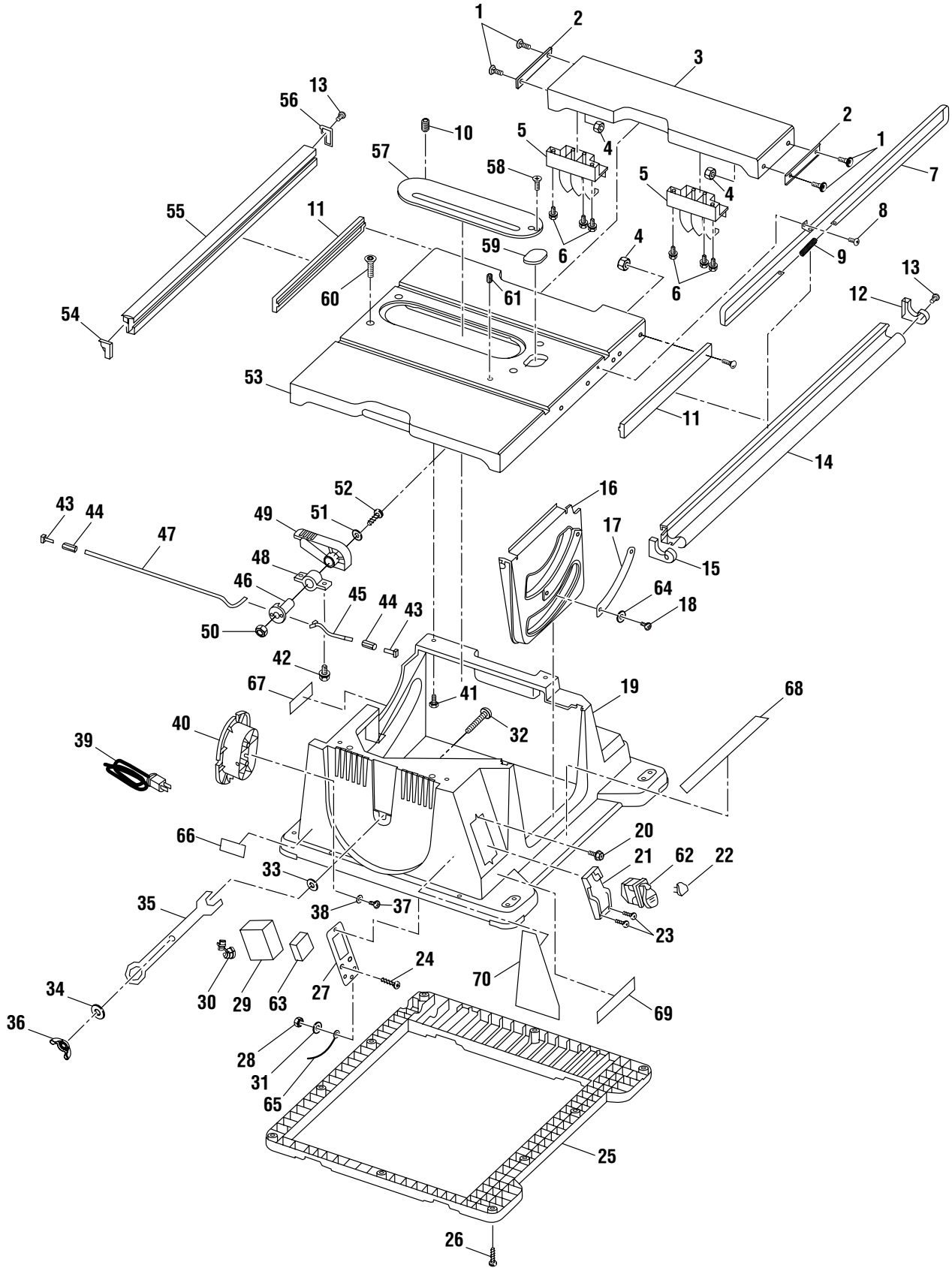


FIGURE A





The model number will be found on a plate attached to the cabinet. Always mention the model number in all correspondence regarding your **TABLE SAW** or when ordering repair parts.

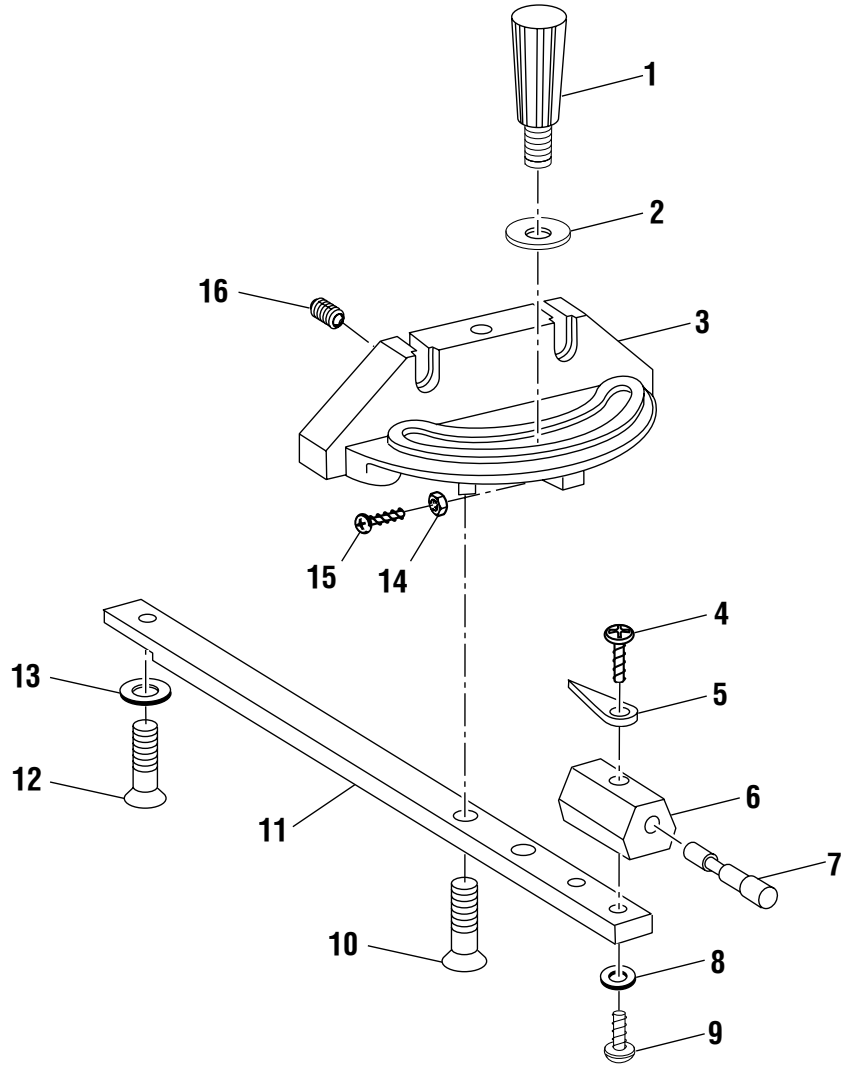
TS2400LS

PARTS LIST FOR FIGURE A

Key Part No.	Key Part Number	Description	Qty.	Key Part No.	Key Part Number	Description	Qty.
1	126317	* CARRIAGE BOLT (1/4-20 X 1 in.)	12	36	827874	NYLON WING NUT (1/2-13)	1
2	827518	EXTENSION RAIL MOUNT	2	37	808380-17	* SCREW (#10-14 X 3/4 in.)	3
3	827545	EXTENSION TABLE	1	38	805550-5	* WASHER (7/32 X 5/8 X 1/16)	2
4	73352	* HEX NUT FLANGE (1/4-20)	12	39	830405	POWER CORD W/PLUG	1
5	827478	FENCE CLIP	2	40	830406	CORD WRAP	1
6	159572-146	* SCREW (10-32 X 7/8 in., Hex Hd. Washer)	6	41	274622	* SCREW (1/4-20 X 1 in., Hex Hd.)	4
7	830397	RIP SCALE	1	42	821521	* SCREW (1/4-20 X 1/2 in., Hex Hd. Shoulder)	2
8	809813-1	* SCREW (6-32 X 1/2 in., Pan Hd.)	1	43	827463	* T-BOLT (1/4-20)	2
9	827872	RIP SCALE SPRING	1	44	827482	COUPLING (1/4-20)	2
10	104879	* SET SCREW (10-32 X 5/16 in.)	4	45	827515	FRONT LOCKING LINK	1
11	827533	RAIL SLIDER	2	46	827523	LINKAGE PIVOT	1
12	830345	RAIL CAP (Right Front)	1	47	827515-1	REAR LOCKING LINK	1
13	448013	* SCREW (#8 X 1/2 in., Pan Hd.)	6	48	830377	RAIL LOCK BEARING	1
14	830378	FRONT RAIL	1	49	827514	TABLE LOCK LEVER	1
15	830396	RAIL CAP (Left Front)	1	50	274205	* LOCK NUT (1/4-20)	1
16	827497	FRONT PANEL	1	51	805552	* WASHER (17/64 in. X 5/8 in. X 1/16 in.)	1
17	080037002607	BEVEL SCALE	1	52	813051-5	* SCREW (1/4-20 X 2-3/4 in., Pan Hd.)	1
18	808380-2	* SCREW (#8 X 3/8 in., Pan Hd.)	2	53	830376	MAIN TABLE	1
19	080037002606	BASE WITH LABELS	1	54	827645	RAIL CAP (Left Rear)	1
20	9420474	* SCREW (10-32 X 1/2 in., Hex Hd. Washer)	2	55	827525	REAR RAIL	1
21	826395	SWITCH	1	56	827470	RAIL CAP (Right Rear)	1
22	AC1000	LOCKOUT KEYS	1	57	TH100050	INSERT	1
23	808380-18	* SCREW (6-19 x 1 in.)	1	58	809374	* SCREW (10-32 X 1 in., Flat Hd.)	4
24	808275-4	* SCREW (8-32 X 3/8 in., Pan Hd.)	1	59	826390	INSERT IND-I-CUT	1
25	827493	FOOT BASE	1	60	805297-12	* SCREW (5/16-18 X 1 in., Flat Socket Hd.)	4
26	808380-5	* SCREW (#8 X 3/4 in., Pan Hd.)	10	61	138671	* SET SCREW (5/16-18 X 5/8 in.)	2
27	830399	SWITCH BOX PLATE	1	62	826347	LOCKING SWITCH	1
28	805475	* HEX NUT (8-32)	2	63	829971-7	CIRCUIT ASSEMBLY	1
29	830398	SWITCH BOX	1	64	805549-22	* WASHER (13/64 in. X 3/8 in. X 1/32 in.)	2
30	169123-2	STRAIN RELIEF	1	65	0131011101	GROUNDING WIRE	1
31	138164	* LOCK WASHER (#8)	2	66	864501003	DATA PLATE LABEL	1
32	827925	* CARRIAGE BOLT (1/2-13 X 1-1/2 in.)	1	67	871054000	SERIAL NUMBER LABEL	1
33	827873	* PUSH NUT (1/2 in.)	1	68	864501008	BASE LOGO LABEL	1
34	827921	FLAT WASHER	2	69	864501001	WARNING LABEL (ENG.)	1
35	827548	ARBOR WRENCH	2	70	864501002	WARNING LABEL (FR./SP.)	1

* Standard Hardware Item – May Be Purchased Locally

FIGURE B





The model number will be found on a plate attached to the cabinet. Always mention the model number in all correspondence regarding your **TABLE SAW** or when ordering repair parts.

TS2400LS

PARTS LIST FOR FIGURE B

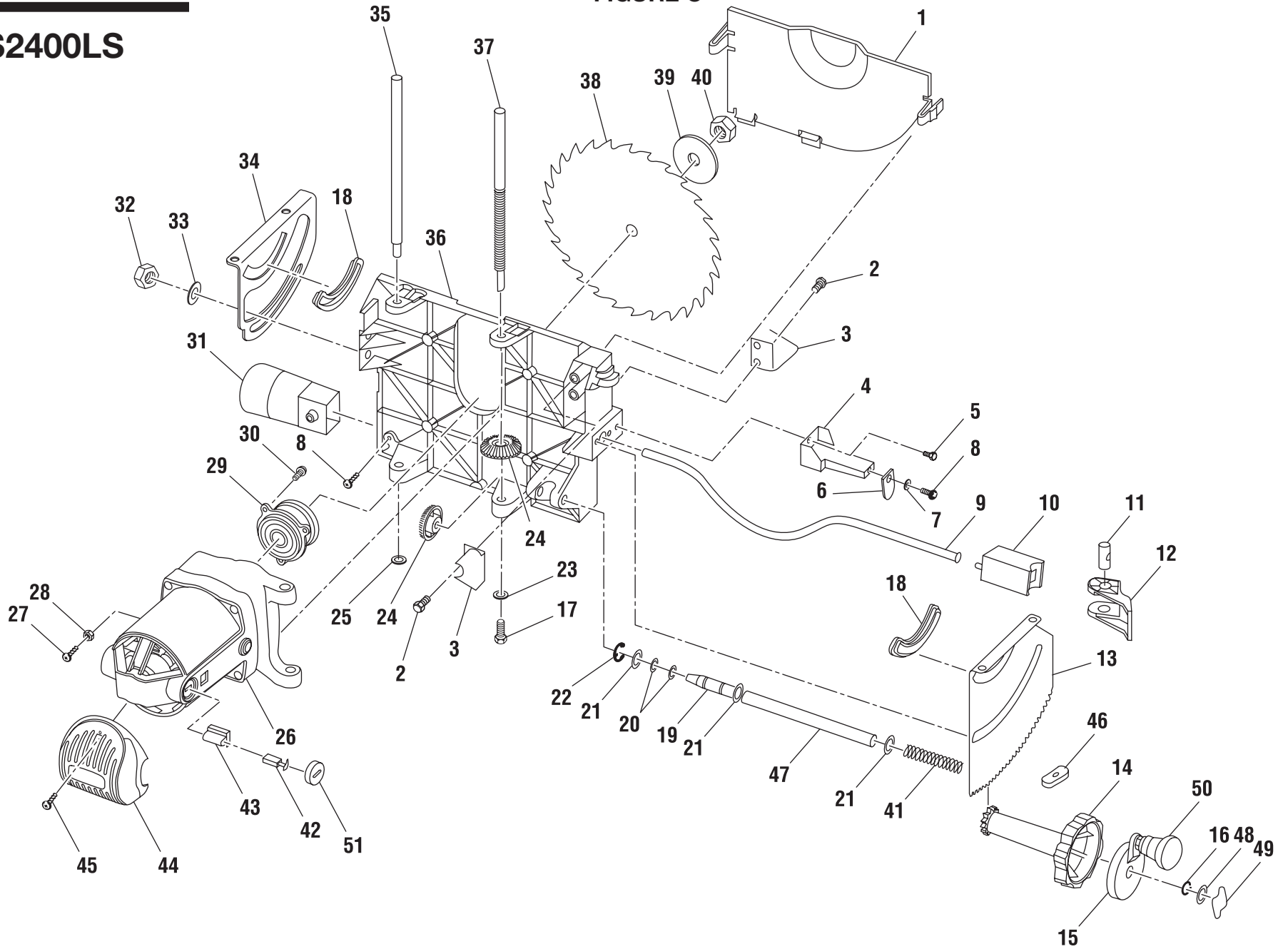
Key No.	Part Number	Description	Qty.
	830338	MITER GAUGE ASSEMBLY.....	1
1	826506-1	KNOB.....	1
2	821063-5	* WASHER (8 mm X 23 mm X 2 mm).....	1
3	826663	MITER GAUGE	1
4	824723-1	* SCREW (8/32 in. X 5/16 in., Pan Hd.).....	2
5	123069-1	INDICATOR.....	1
6	830351	MITER GAUGE INDICATOR BLOCK	1
7	830352	MITER INDEX PIN.....	1
8	140755-15	* LOCK WASHER (#8)	2
9	824723	* SCREW (8-32 X 5/8 in., Pan Hd.)	2
10	818470-4	* SCREW (M6 X 1.0-20 mm, Flat Hd.)	1
11	830350	MITER GAUGE ROD.....	1
12	830354	* SCREW (M6 X 9 mm, Flat Hd.).....	1
13	830353	T-SLOT WASHER	1
14	134530	* HEX NUT (6-32)	3
15	809813-4	* SCREW (6-32 X 5/8 in., Pan Hd.)	3
16	818471-6	* SET SCREW (M5 X .08-5 mm, Socket)	1

* Standard Hardware Item – May Be Purchased Locally

RIDGID

TS2400LS

FIGURE C





The model number will be found on a plate attached to the cabinet. Always mention the model number in all correspondence regarding your **TABLE SAW** or when ordering repair parts.

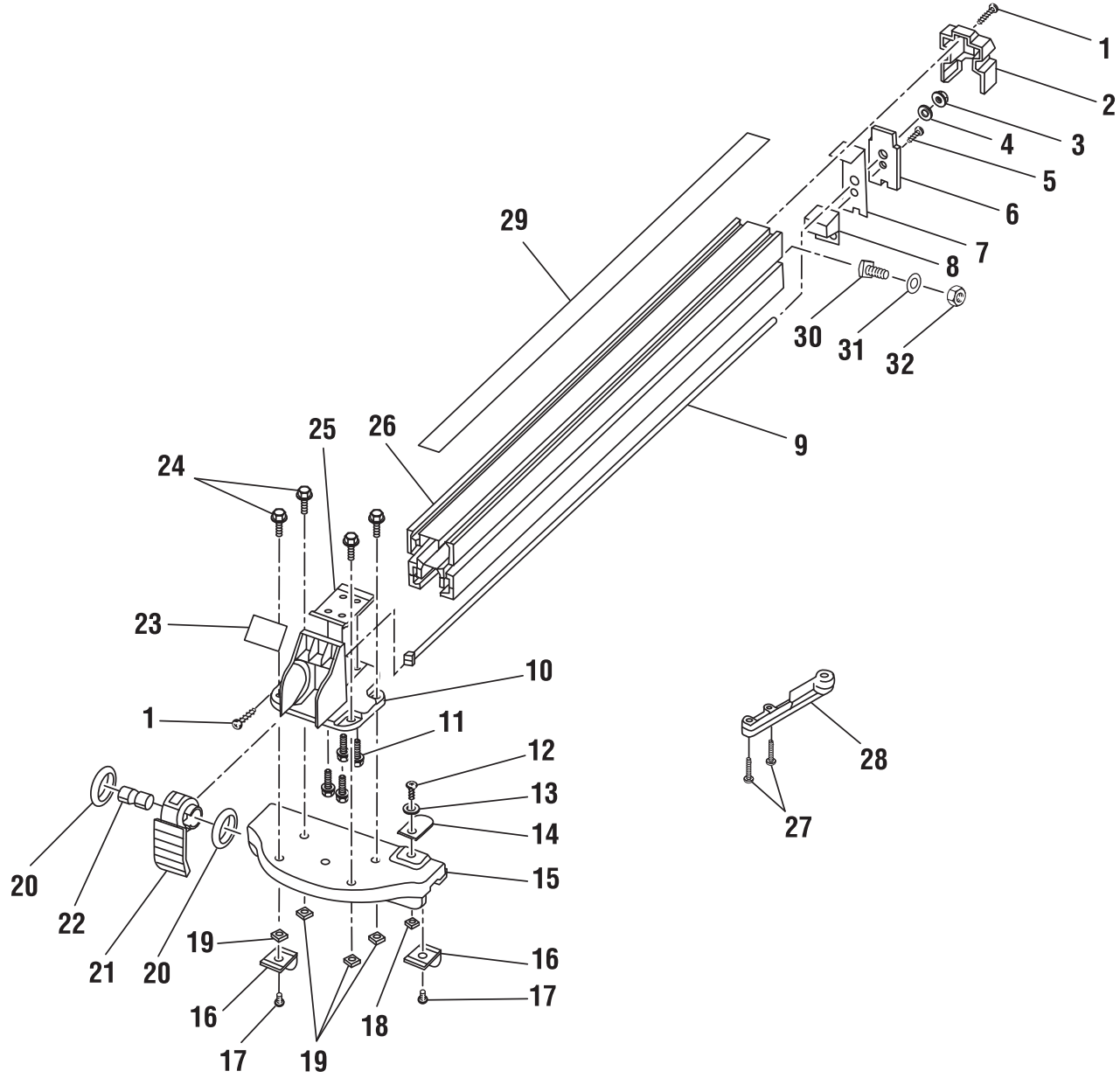
TS2400LS

PARTS LIST FOR FIGURE C

Key No.	Part Number	Description	Qty.	Key No.	Part Number	Description	Qty.
1	827483	BLADE COVER.....	1	27	827863	* SET SCREW (M5 x 0.8 x 20L)	1
2	370625	* SCREW (1/4-20 X 1/2 in., Hex Hd. Washer).....	2	28	827864	* HEX NUT (M5 x 0.8P)	1
3	827619	BEVEL STOP PLATE	1	29	830412	ARBOR ASSEMBLY	1
4	827540	BEVEL SUPPORT INDICATOR.....	1	30	020704005	* SCREW (M5 x 0.8 x 15 + S-Washer).....	3
5	141594-46	* SCREW (1/4-20 X 5/8 in., Socket Cap).....	1	31	827476	DUST GUIDE.....	1
6	824334-1	INDICATOR.....	1	32	60249	LOCK NUT (3/8-16).....	1
7	805550-5	* WASHER (7/32 in. X 5/8 in. X 1/16 in.).....	2	33	60014	* WASHER (.380 in. X 47/64 in. X 3/32 in.)	1
8	808380-17	* SCREW (10-14 x 3/4 in.)	2	34	827520	REAR MOUNT.....	1
9	827459	LOCKING BAR	1	35	827531	GUIDE SHAFT	1
10	827862	BEVEL CLAMP ASSEMBLY	1	36	830380	CRADLE	1
11	827522	BEVEL PIVOT LOCK	1	37	827529	ELEVATION SHAFT	1
12	827500	BEVEL HANDLE LOCK	1	38	830394	* BLADE (10 in./28T Carbide)	1
13	827519	FRONT MOUNT	1	39	827465	BLADE COLLAR.....	1
14	830390	BEVEL KNOB ASSEMBLY.....	1	40	6362	ARBOR NUT.....	1
15	830391	ELEVATION HANDLE ASSEMBLY.....	1	41	830386	SPRING	1
16	37937	* WASHER (17/64 in. X 5/8 in. X 1/32 in.).....	1	42	816768	BRUSH	2
17	809372-7	* SCREW (10-32 X 5/8 in., Pan Hd.).....	1	43	826017	BRUSH HOLDER ASSEMBLY	2
18	827467	TRUNNION BUSHING	2	44	828064	REAR MOTOR COVER	1
19	829971-9	ELEVATION CRANK SHAFT W/O RINGS.....	1	45	828122-1	* SCREW (M4 X 16-10 in., Pan Hd.)	2
20	821421-11	* O-RING (3/8 in. X 1/16 in.).....	2	46	809398	WELD NUT	4
21	805561-4	* WASHER (0.505 in. X 13/16 in. X 1/32 in.)	1	47	830385	ELEVATION LOCK SPACER.....	1
22	805641-4	* RETAINING RING (E10)	1	48	60415	SPRING WASHER.....	1
23	60136	* WASHER (13/64 in. X 5/8 in. X 1/32 in.).....	1	49	830393	ELEVATION LOCK SPACER.....	1
24	827496	ELEVATION GEAR.....	1	50	830392	SWIVEL KNOB	1
25	802612-8	* PUSH NUT (3/8 in.).....	1	51	830250	BRUSH COVER.....	2
26	830381	MOTOR ASSEMBLY.....	1				

* Standard Hardware Item – May Be Purchased Locally

FIGURE D





The model number will be found on a plate attached to the cabinet. Always mention the model number in all correspondence regarding your **TABLE SAW** or when ordering repair parts.

TS2400LS

PARTS LIST FOR FIGURE D

Key No.	Part Number	Description	Qty.
	830421	RIP FENCE ASSEMBLY	1
1	809492-5	* SCREW (8-32 X 1 in., Pan Hd.)	1
2	824350-1	REAR CHANNEL CAP	1
3	820129	* LOCK NUT (5/16-18).....	1
4	274865	* WASHER (21/64 in. X 5/8 in. X 1/16 in.).....	1
5	9416390	* SCREW (10-14 x 3/4 in.)	1
6	824328-1	LOCK PLATE	1
7	824332	LOCK SPRING	1
8	824349-1	REAR FENCE SLIDE	1
9	824342-1	FENCE LOCK ROD	1
10	827507	RIP FENCE HOUSING	1
11	9422329	* SCREW (1/4-20 X 3/4 in., Hex Hd. Washer).....	4
12	809372-3	* SCREW (10-32 x 5/8 in.)	1
13	60136	* WASHER (13/64 in. x 5/8 in. x 1/32 in.).....	1
14	830281	RIP INDICATOR.....	1
15	830426	RIP FENCE HEAD	1
16	827532	SLIDE FENCE HEAD	2
17	809169-3	* SCREW (8-32 X 3/8 in., Pan Hd.).....	2

Key No.	Part Number	Description	Qty.
18	822138-1	* SQUARE NUT (10-32)	1
19	62636	* SQUARE NUT (1/4-20).....	4
20	824326	BALL BEARING ANGULAR CONTACT	2
21	830425	FENCE CAM LEVER.....	1
22	824329	CAM PIN	1
23	827876	LOGO PLATE.....	1
24	828173	* SCREW (1/4-20 X 3/4 in., Hex Hd. Washer).....	4
25	824330-1	FENCE CHANNEL PLATE	1
26	829971-10	FENCE CHANNEL.....	1
27	806752-2	* SCREW (10-32 X 1-1/4 in., Pan Hd.).....	2
28	829706	MICRO ADJUST ASSEMBLY	1
29	864501004	FENCE WARNING LABEL.....	1

HARDWARE FOR ATTACHING WOOD FACING

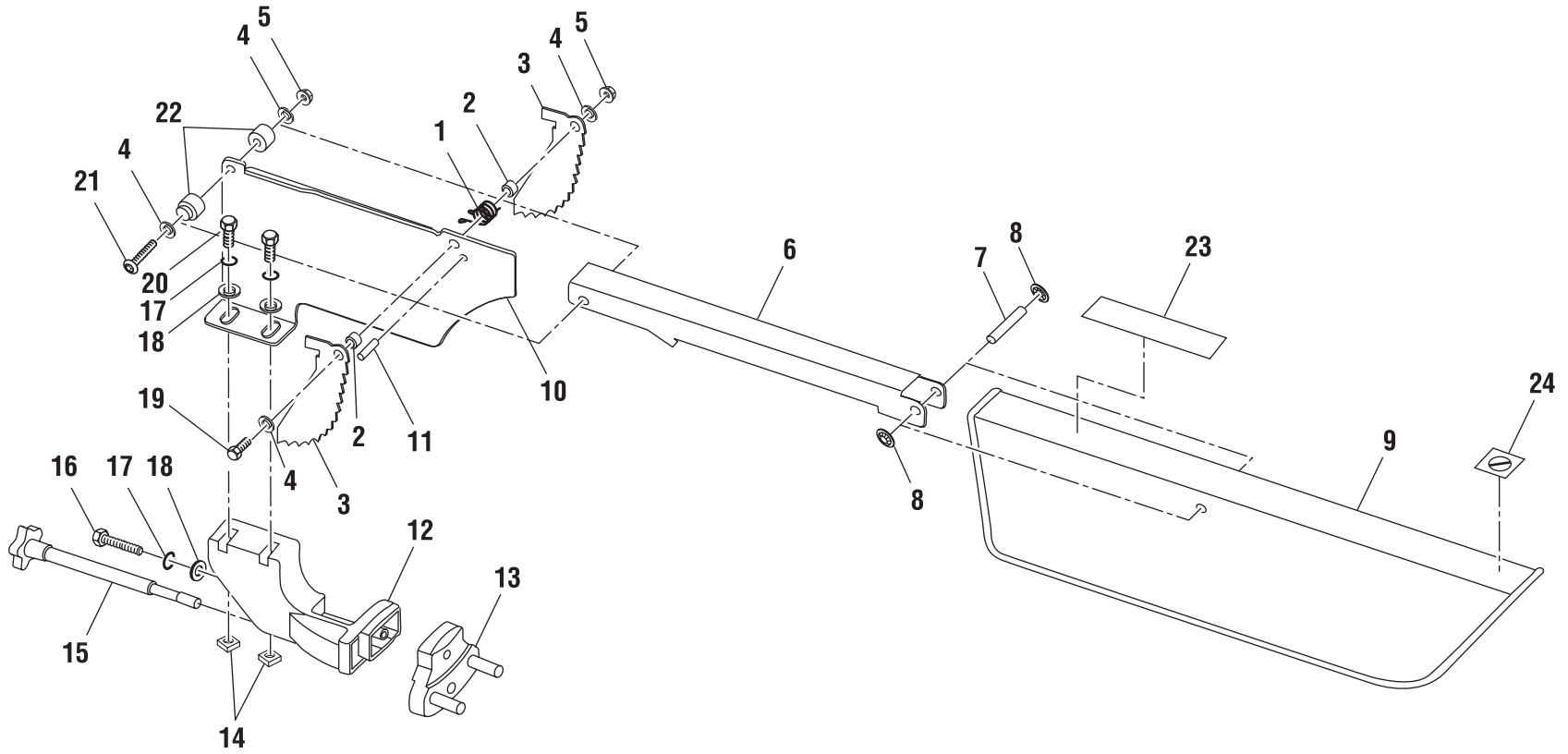
30	159653-3	* BOLT (1/4-20 X 3/4 in., Square Hd.).....	3
31	805552	* WASHER (17/64 in. X 5/8 in. X 1/16 in.).....	3
32	115120	* HEX NUT (1/4-20).....	3

* Standard Hardware Item – May Be Purchased Locally

RIDGID

TS2400LS

FIGURE E





The model number will be found on a plate attached to the cabinet. Always mention the model number in all correspondence regarding your **TABLE SAW** or when ordering repair parts.

TS2400LS

PARTS LIST FOR FIGURE E

Key No.	Part Number	Description	Qty.	Key No.	Part Number	Description	Qty.
	827499	GUARD COMPLETE	1	13	827877	SPREADER MOUNT ASSEMBLY	1
1	62519	PAWL SPRING	1	14	62636	* SQUARE NUT (1/4-20)	4
2	827646	PAWL SPACER.....	2	15	827511	GUARD KNOB.....	1
3	827648-1	PAWL.....	2	16	805461-7	* SCREW (1/4-20 X 1 in., Hex Hd.).....	1
4	805549	* WASHER (13/64 in. X 9/16 in. X 1/32 in.).....	2	17	114604	* LOCK WASHER (1/4 in.).....	1
5	60012	* LOCK NUT (10-32)	1	18	37937	* WASHER (17/64 in. X 5/8 in. X 1/32 in.).....	1
6	827649-1	GUARD SUPPORT	1	19	806214-3	* SCREW (10-32 X 7/8 in., Socket Cap).....	1
7	62390	* GUARD PIN (1/4 X 1-3/4 in.)	1	20	179793	* SCREW (1/4-20 X 5/8 in., Hex Hd.).....	2
8	802612	* PUSH PIN (1/4 in.).....	2	21	806214-4	* SCREW (10-32 X 1-1/2 in., Socket Cap).....	1
9	826466	SAW GUARD.....	1	22	827647	SUPPORT SPACER.....	2
10	827536	BLADE SPREADER.....	1	23	864501006	BLADE GUARD WARNING LABEL	1
11	803422-163	* ROLL PIN (3/16 in. X 15/16 in.)	1	24	864501009	NO HANDS LABEL.....	1
12	827541	SPREADER SUPPORT	1				

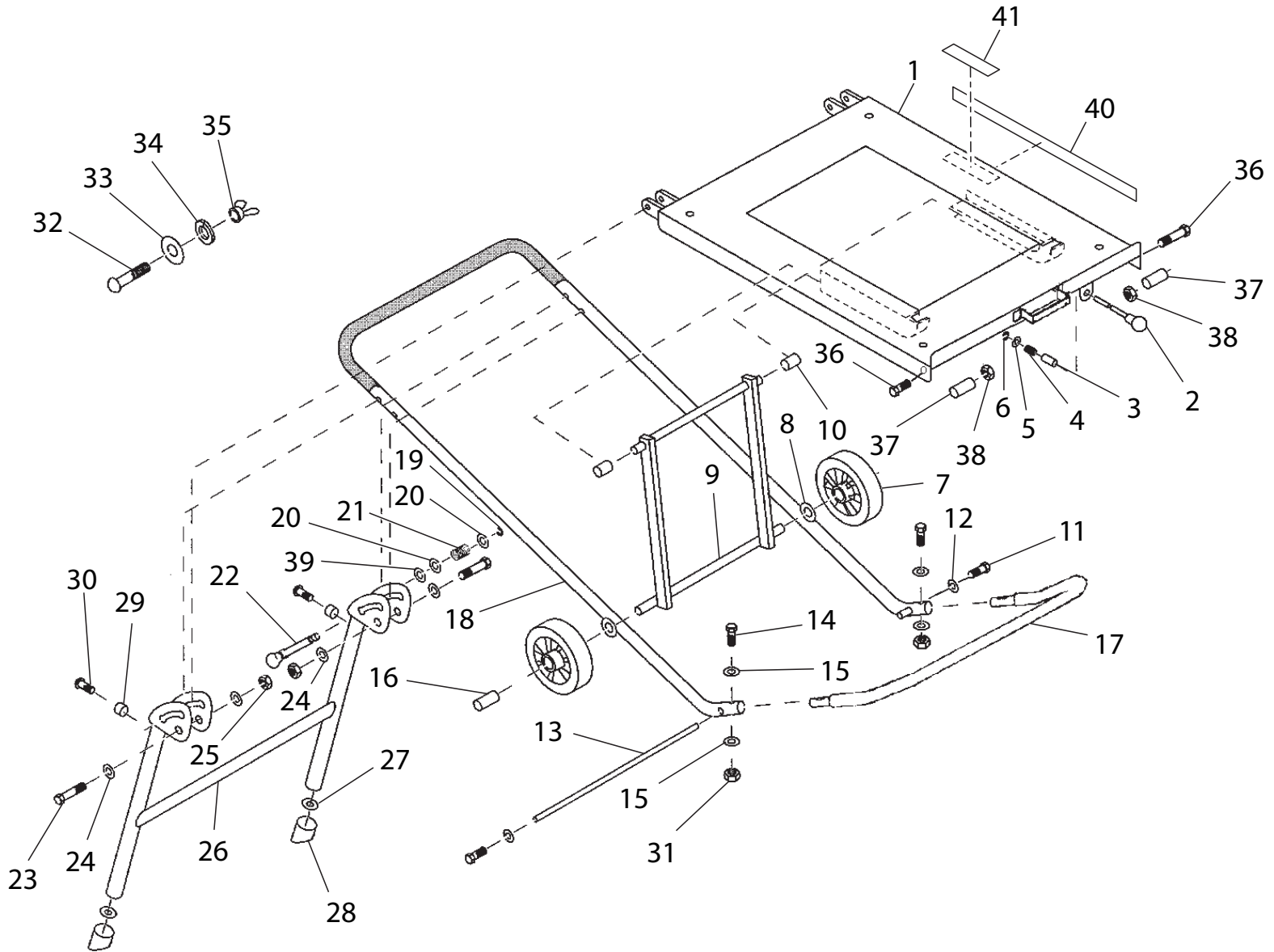
11

* Standard Hardware Item – May Be Purchased Locally

RIDGID

TS2400LS

FIGURE F





The model number will be found on a plate attached to the cabinet. Always mention the model number in all correspondence regarding your **TABLE SAW** or when ordering repair parts.

TS2400LS

PARTS LIST FOR FIGURE F

Key No.	Part Number	Description	Qty.	Key No.	Part Number	Description	Qty.
1	747-01	TABLE.....	1	23	747-23	HEX HEAD BOLT (M8 X 62).....	2
2	747-02	LOCKING PIN.....	1	24	747-24	WASHER	4
3	747-03	METAL SLEEVE.....	1	25	747-25	HEX NUT (M8).....	2
4	747-04	SPRING	1	26	747-26	REAR SUPPORT	1
5	747-05	WASHER	1	27	747-27	WASHER	2
6	747-06	E CLIP	1	28	747-28	CAP MOLDED END.....	2
7	747-07	WHEEL.....	2	29	747-29	FOOT.....	2
8	747-08	WASHER.....	2	30	747-30	ROUND HEAD BOLT (M8 X 20).....	2
9	747-09	TABLE SUPPORT.....	1	31	747-31	LOCK NUT (M6).....	2
10	747-10	NYLON ROLLER.....	2	32	747-32	CARRIAGE BOLT (1/4-20 in. X 3 in.).....	4
11	747-11	HEX HEAD BOLT (M6 X 15).....	2	33	747-33	WASHER.....	4
12	747-12	WASHER.....	2	34	747-34	LOCK WASHER (1/4 in.).....	4
13	747-13	AXLE SHAFT	1	35	747-35	WING NUT (1/4 in.).....	4
14	747-14	HEX HEAD BOLT (M6 X 41).....	2	36	747-36	PHILLIPS HEAD BOLT (M5)	2
15	747-15	CURVED WASHER.....	4	37	747-37	RUBBER-STOP	2
16	747-16	METAL SLEEVE.....	2	38	747-38	HEX NUT (M5)	2
17	747-17	LOWER FOOT	1	39	747-39	NYLON WASHER	1
18	747-18	MAIN FRAME	1	40	080037002900	WARNING LABEL.....	1
19	747-19	E CLIP	1	41	080037002901	LOGO LABEL	1
20	747-20	WASHER	2	42	983000266	OPERATOR'S MANUAL (NOT SHOWN)	1
21	747-21	SPRING	1		3-04-08		
22	747-22	LOCKING PIN.....	1		(REV:07)		

13

* Standard Hardware Item – May Be Purchased Locally